

[54] CHAIR

[75] Inventors: **Willi Hensel, Willingen; Jurgen Lange, Grafenau; Reinhard Paulus, Cologne, all of Fed. Rep. of Germany**

[73] Assignee: **Mauser Waldeck AG, Waldeck, Fed. Rep. of Germany**

[**] Term: **14 Years**

[21] Appl. No.: **490,819**

[22] Filed: **Mar. 8, 1990**

Related U.S. Application Data

[62] Division of Ser. No. 38,798, Apr. 15, 1987.

[30] **Foreign Application Priority Data**

Oct. 15, 1986 [DE] Fed. Rep. of Germany ... 1AR52/86
[52] U.S. Cl. D6/366
[58] Field of Search D6/371, 372, 379, 380, D6/334, 366

[56] **References Cited**

U.S. PATENT DOCUMENTS

D. 285,629	9/1986	Franck et al.	D6/366
D. 289,236	4/1987	Bräuning	D6/366
D. 295,588	5/1988	Heitlinger et al.	D6/379
D. 295,925	5/1988	Vredat-Neuhoff	D6/366
D. 301,946	7/1989	Meyer	D6/379

OTHER PUBLICATIONS

Design, Sep. 1976, p. 40, Chair, left center of page.
Design Buyers Guide, May 1984, p. 11, Chairs, bottom center of page.
Interiors, May 1984, p. 19, Chair.

Primary Examiner—Bruce W. Dunkins
Assistant Examiner—Ann Hunt
Attorney, Agent, or Firm—Pennie & Edmonds

[57] **CLAIM**

The ornamental design for a chair, as shown and described.

DESCRIPTION

FIG. 1 is a front perspective view of the chair showing our new design;
FIG. 2 is a side elevational view, the opposite side view being a mirror image thereof;
FIG. 3 is a front elevational view;
FIG. 4 is a rear elevational view;
FIG. 5 is a bottom plan view; and
FIG. 6 is a top plan view thereof;
FIG. 7 is a front perspective view of a second embodiment of the chair showing our new design;
FIG. 8 is a side elevational view, the opposite side view being a mirror image thereof;
FIG. 9 is a front elevational view;
FIG. 10 is a rear elevational view;
FIG. 11 is a bottom plan view; and
FIG. 12 is a top plan view thereof.



FIG. 1

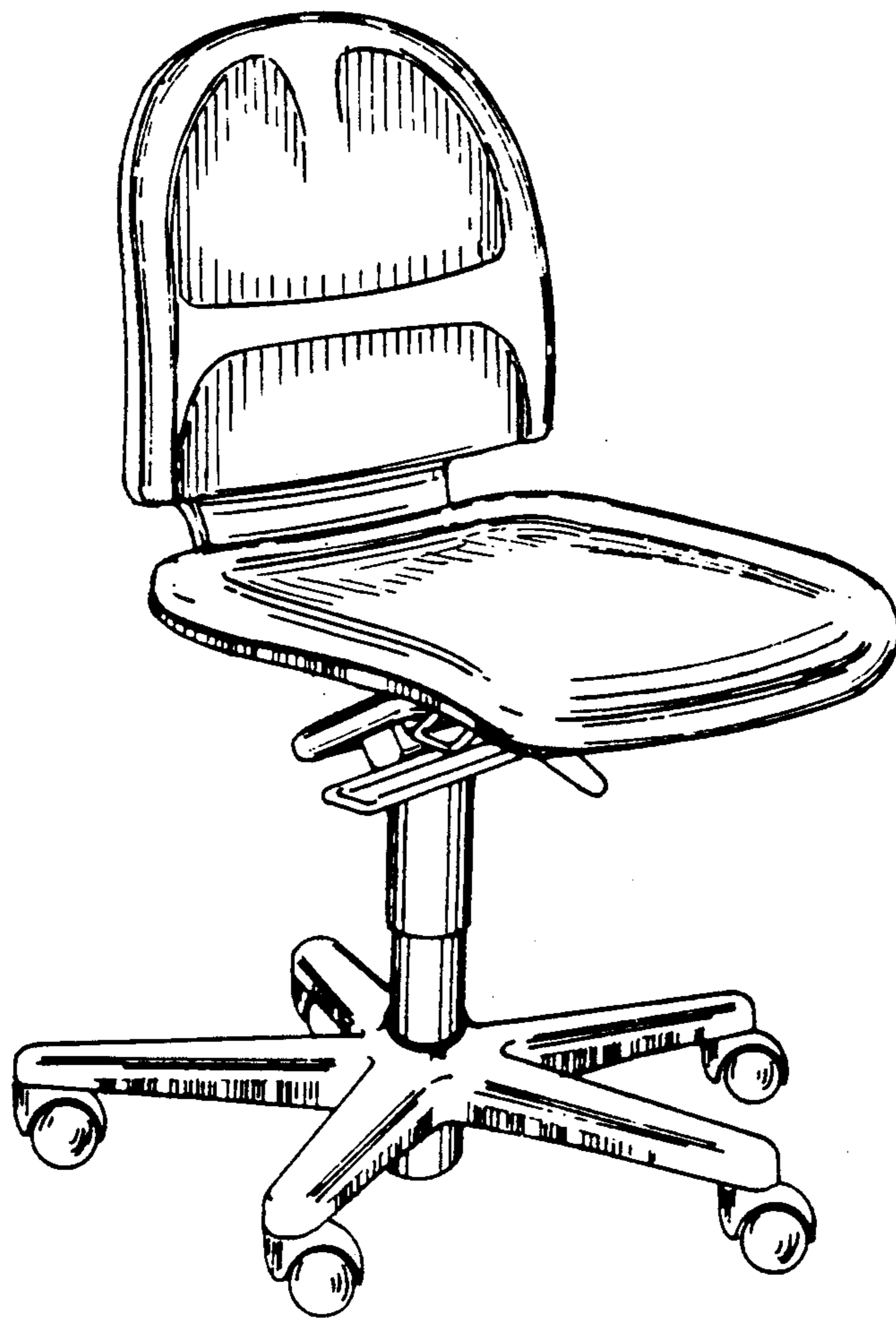


FIG. 2

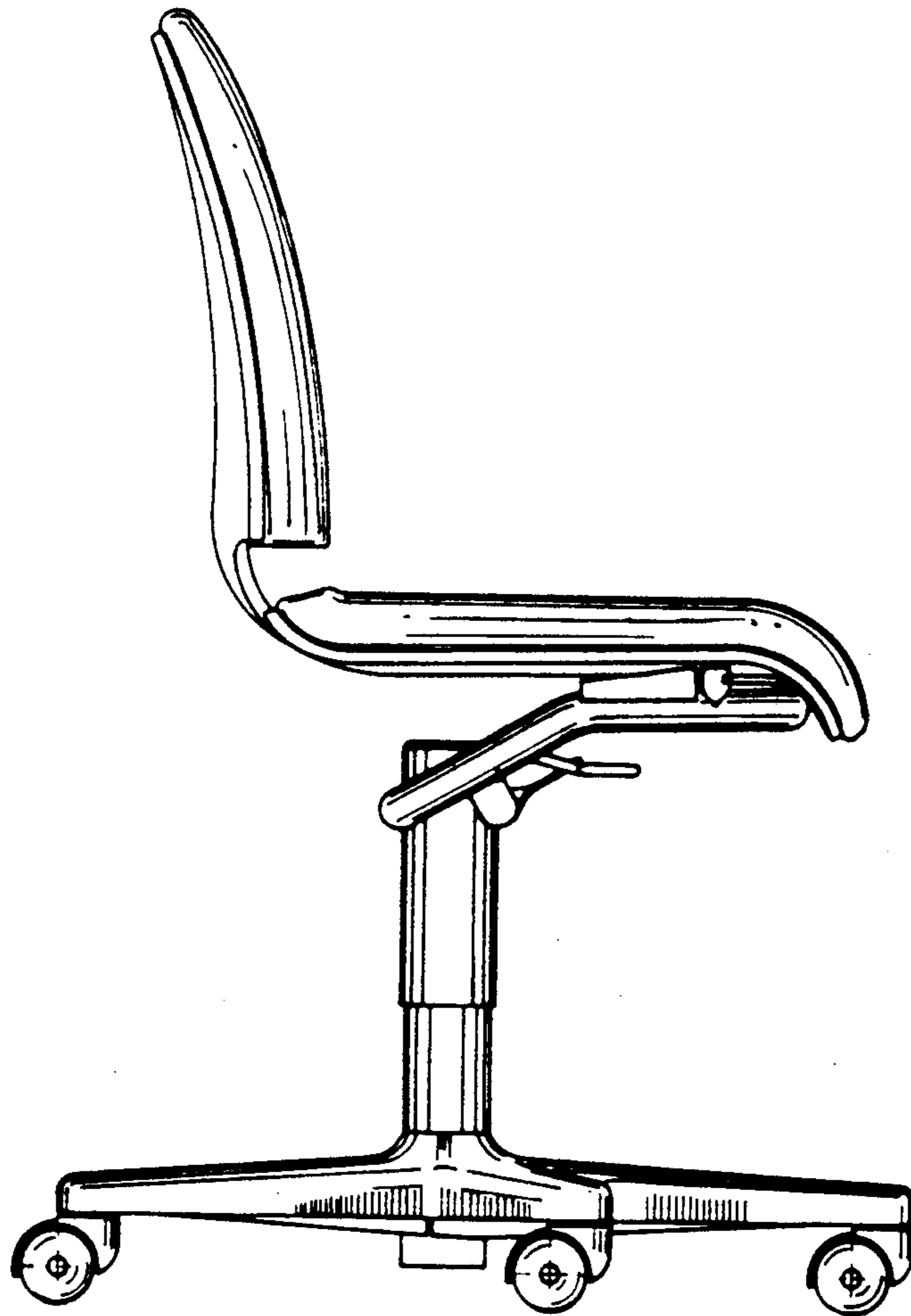


FIG. 3

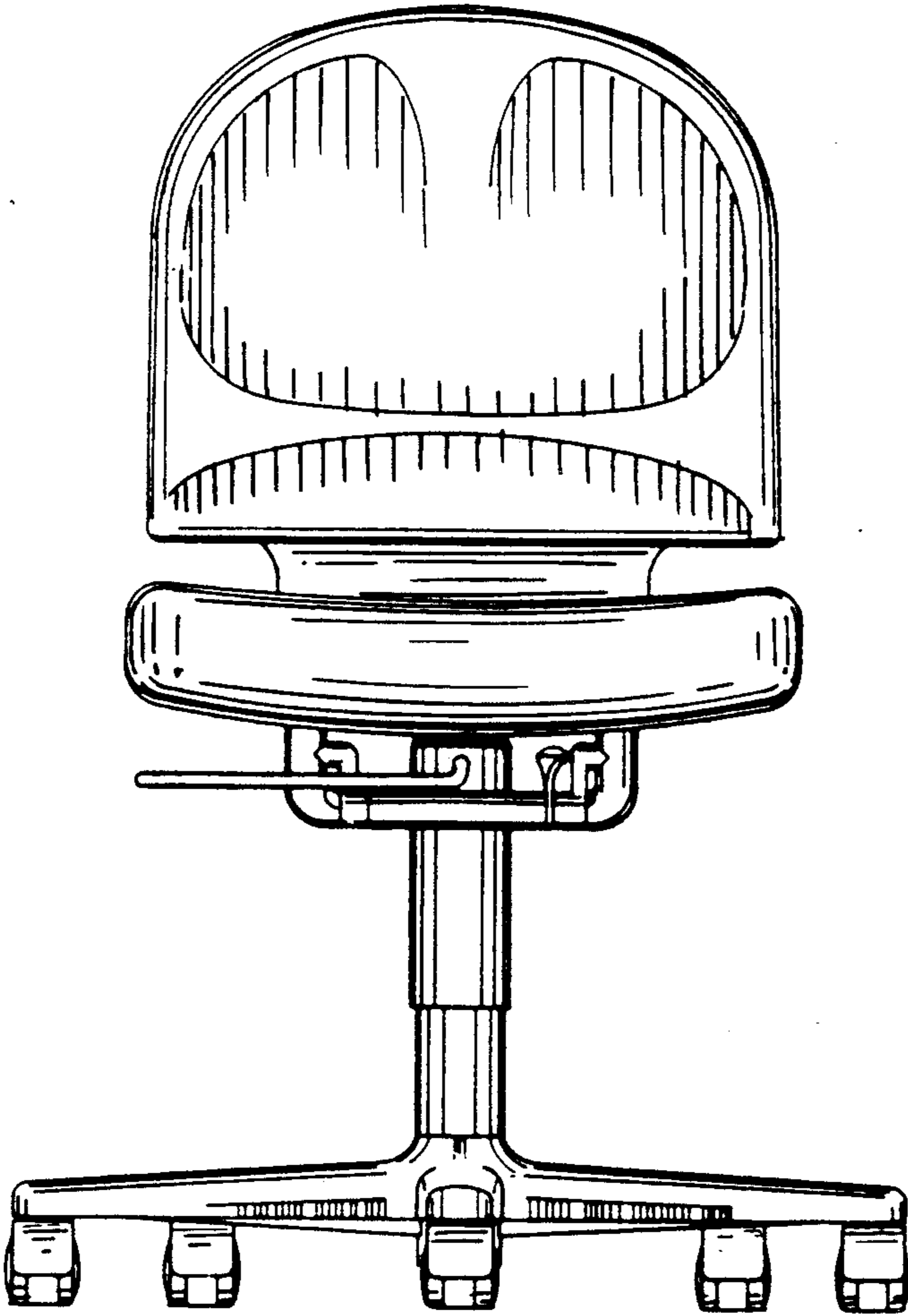


FIG. 4

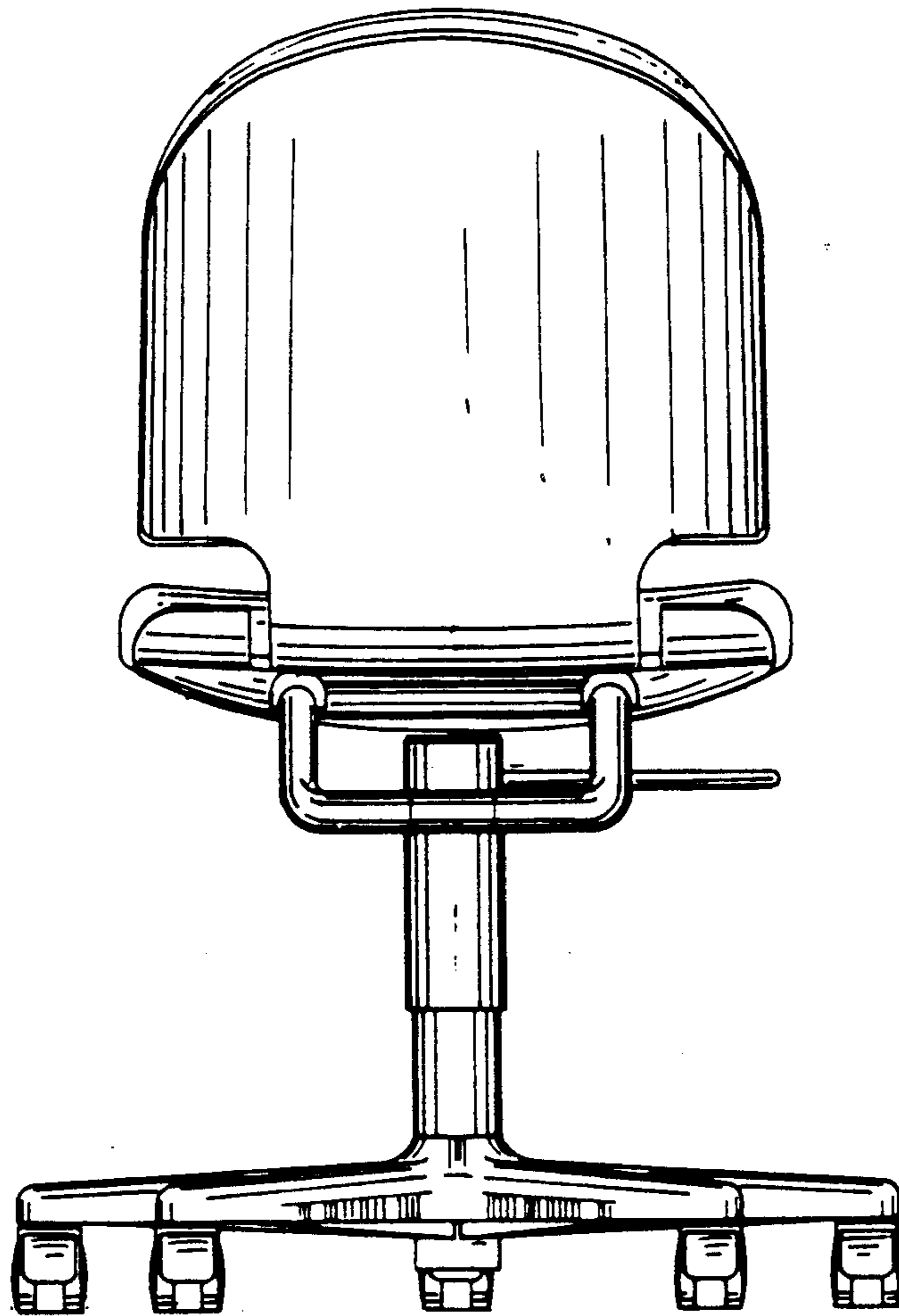


FIG. 5

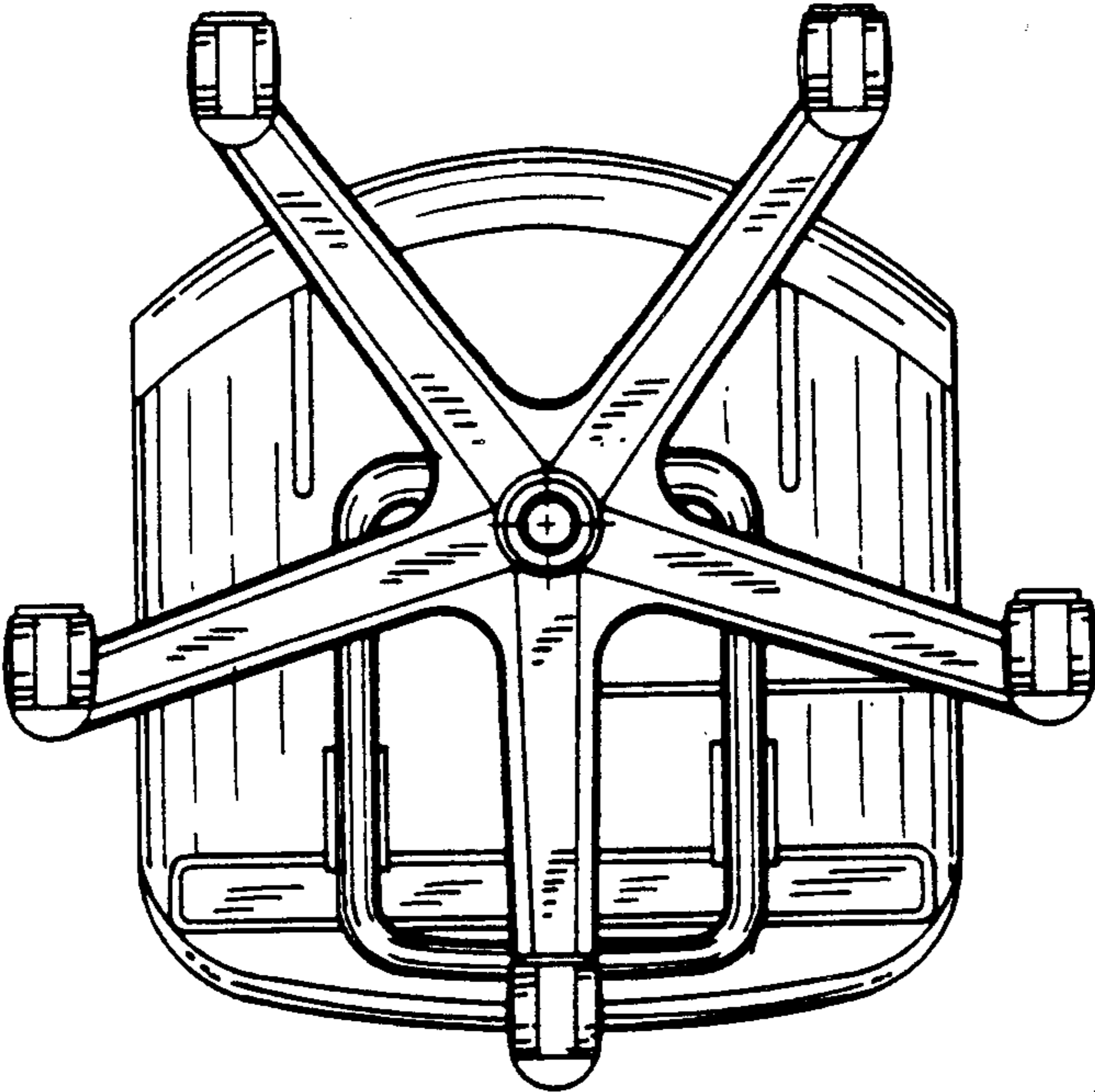


FIG. 6

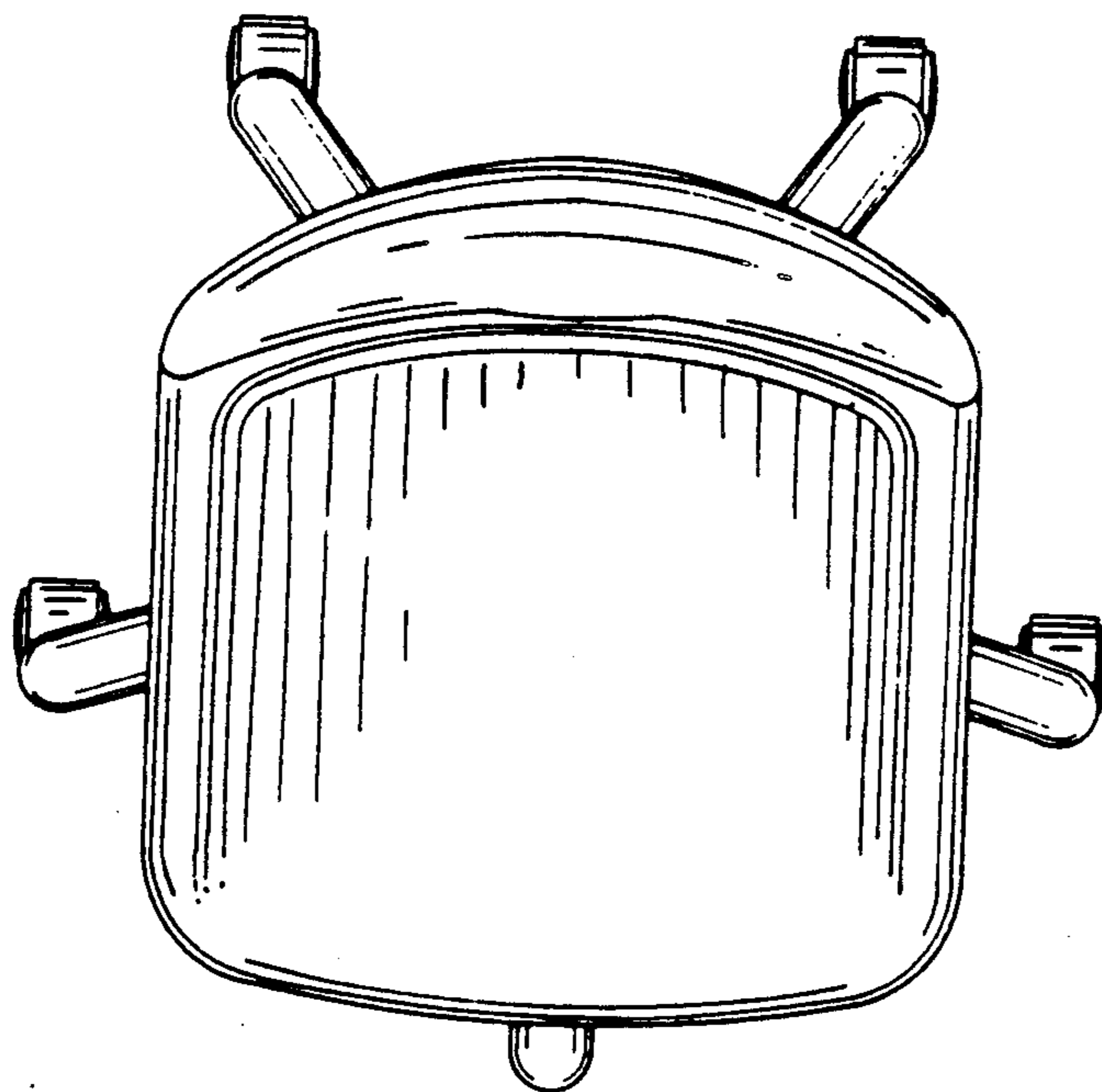


FIG. 7



FIG. 8

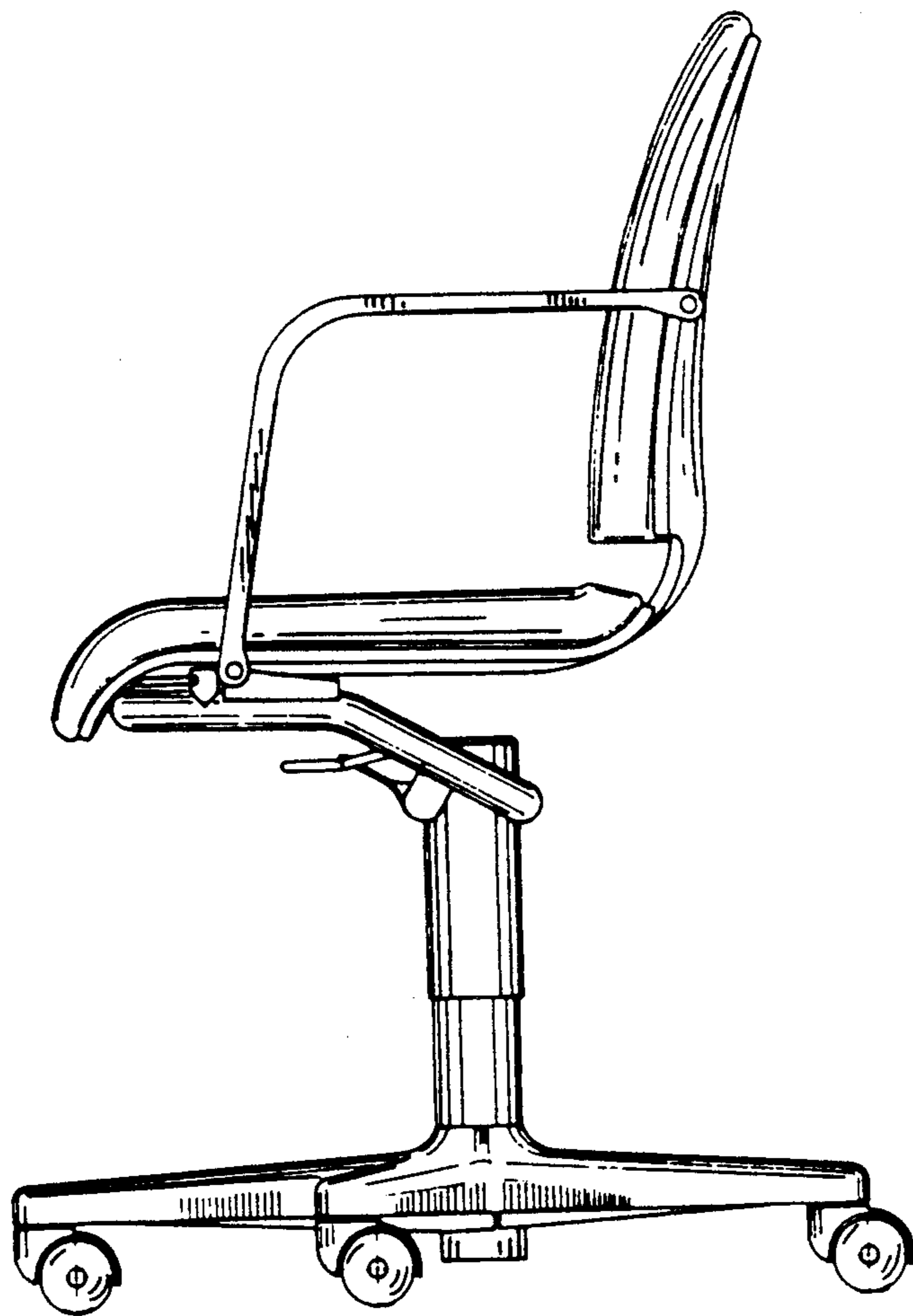


FIG. 9

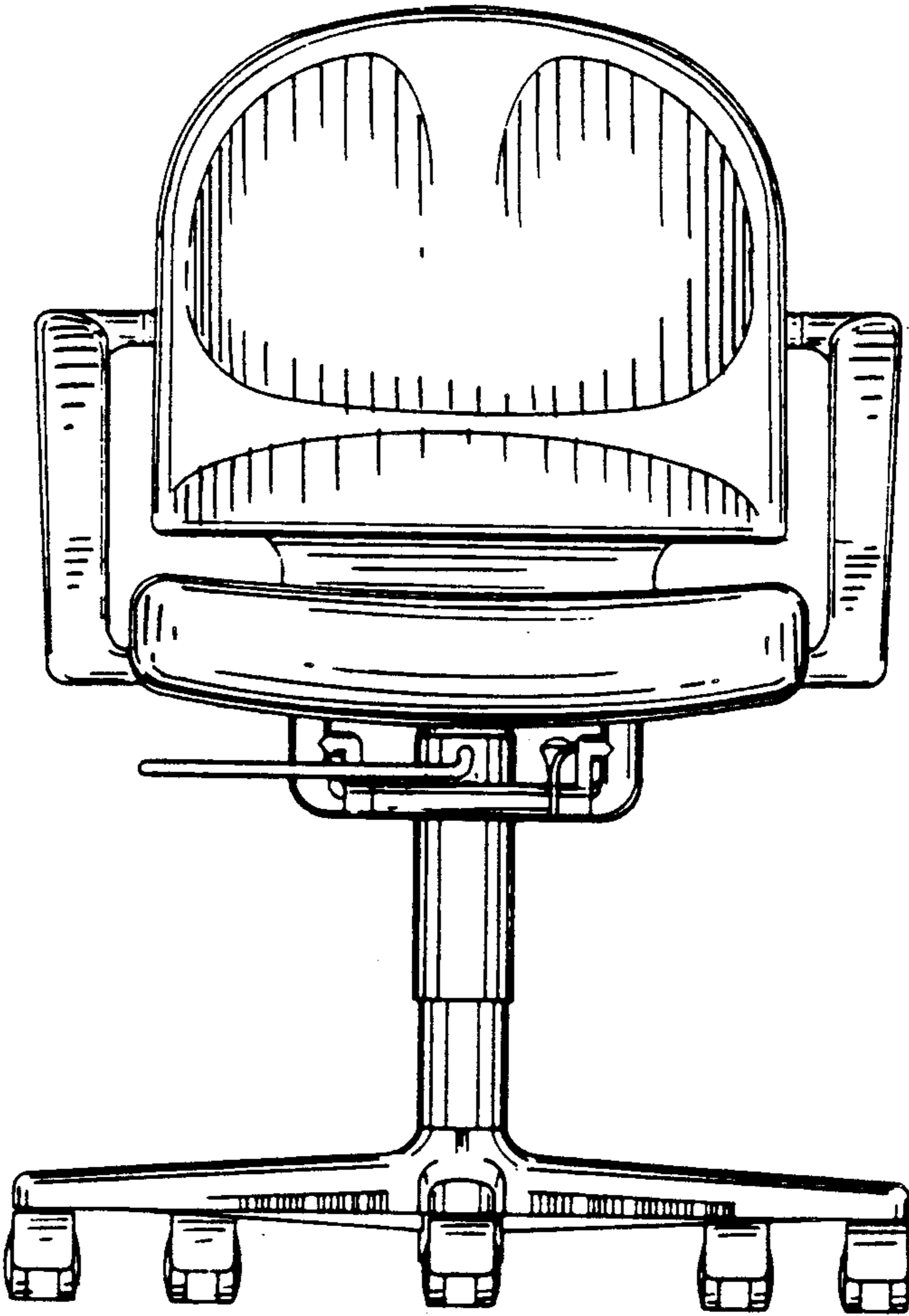


FIG. 10

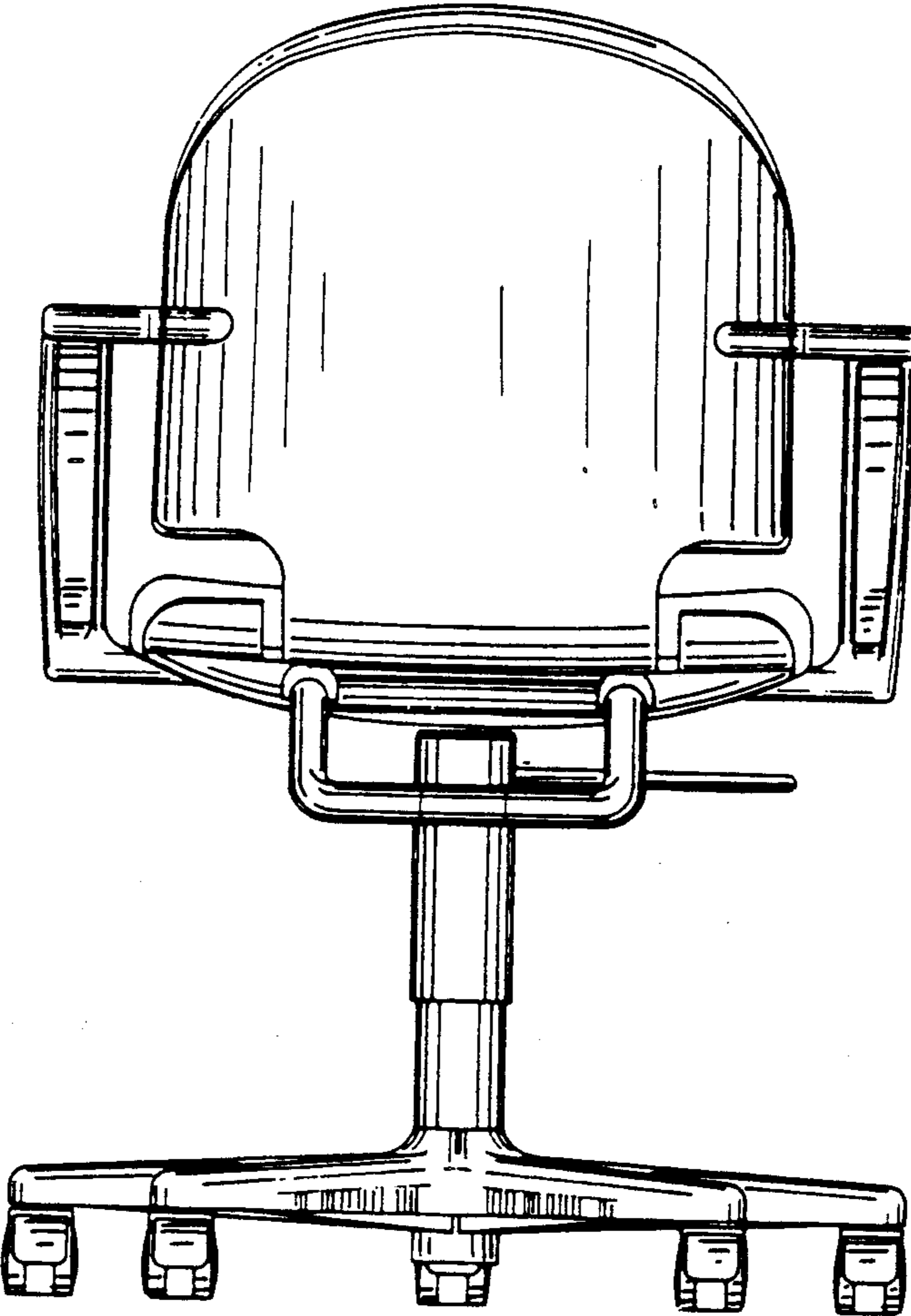


FIG. II

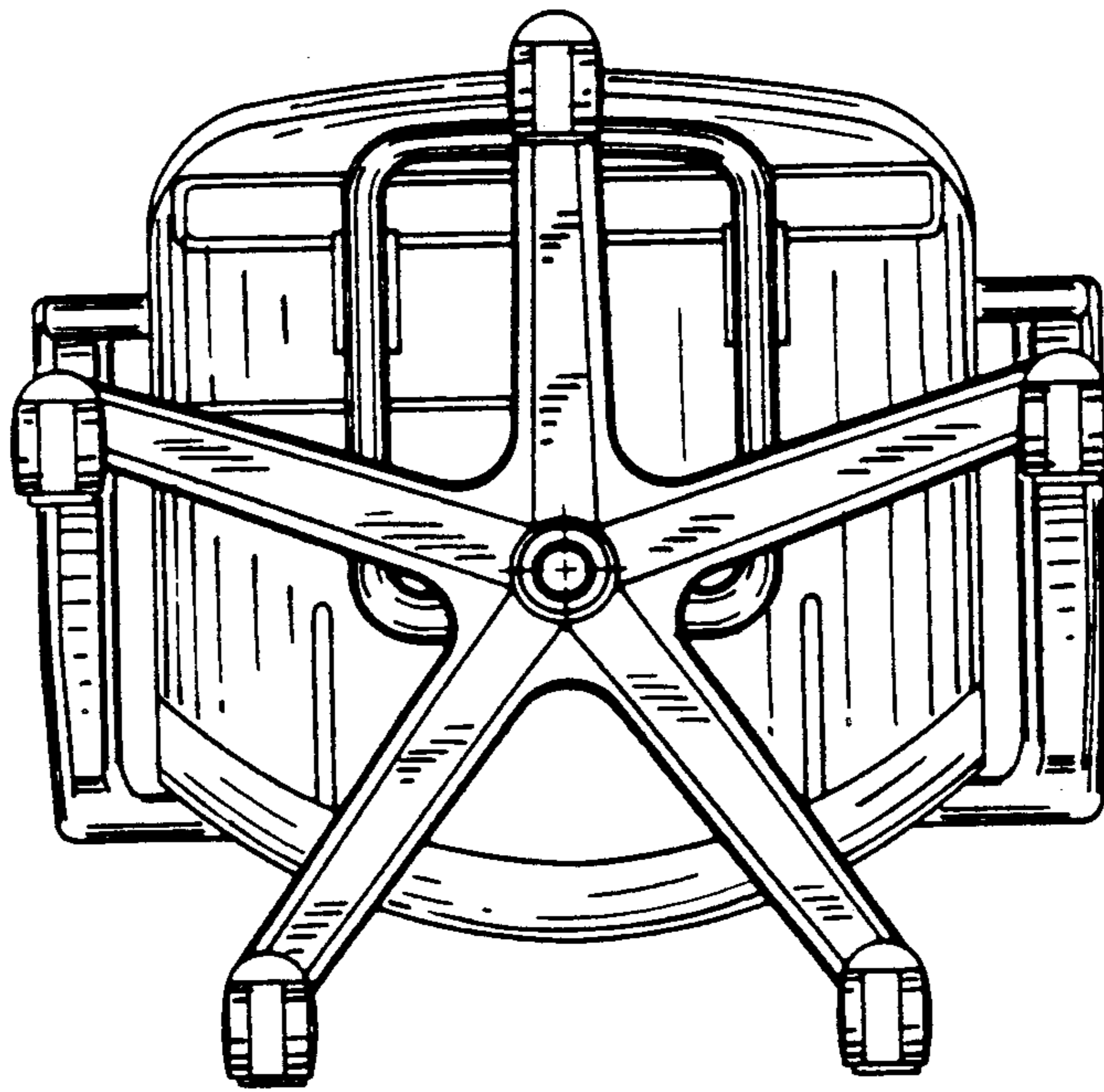


FIG. 12

