

[54] BABY SEAT

[76] Inventor: Ching-Chou Ho, No. 58, Ching Fong Street, Taipei, Taiwan

[\*\*] Term: 14 Years

[21] Appl. No.: 64,777

[22] Filed: Jun. 22, 1987

[52] U.S. Cl. .... D6/333

[58] Field of Search ..... D6/333, 335; 297/134, 297/174

[56] References Cited

U.S. PATENT DOCUMENTS

4,203,362	10/1980	Euwema et al. ....	D6/333
4,322,110	3/1982	Simmons et al. ....	D6/335
4,362,333	12/1982	Cohen .....	D6/333
4,415,200	11/1983	Bourne .....	D6/333
4,506,928	3/1985	Marion .....	297/174

4,629,247 12/1986 Wu ..... 297/174

Primary Examiner—Bruce W. Dunkins

Assistant Examiner—Ann Hunt

Attorney, Agent, or Firm—Bacon & Thomas

[57] CLAIM

The ornamental design for baby seat, as shown and described.

DESCRIPTION

FIG. 1 is a side elevational view of the baby seat showing my new design, the opposite side elevational view being a mirror image thereof,

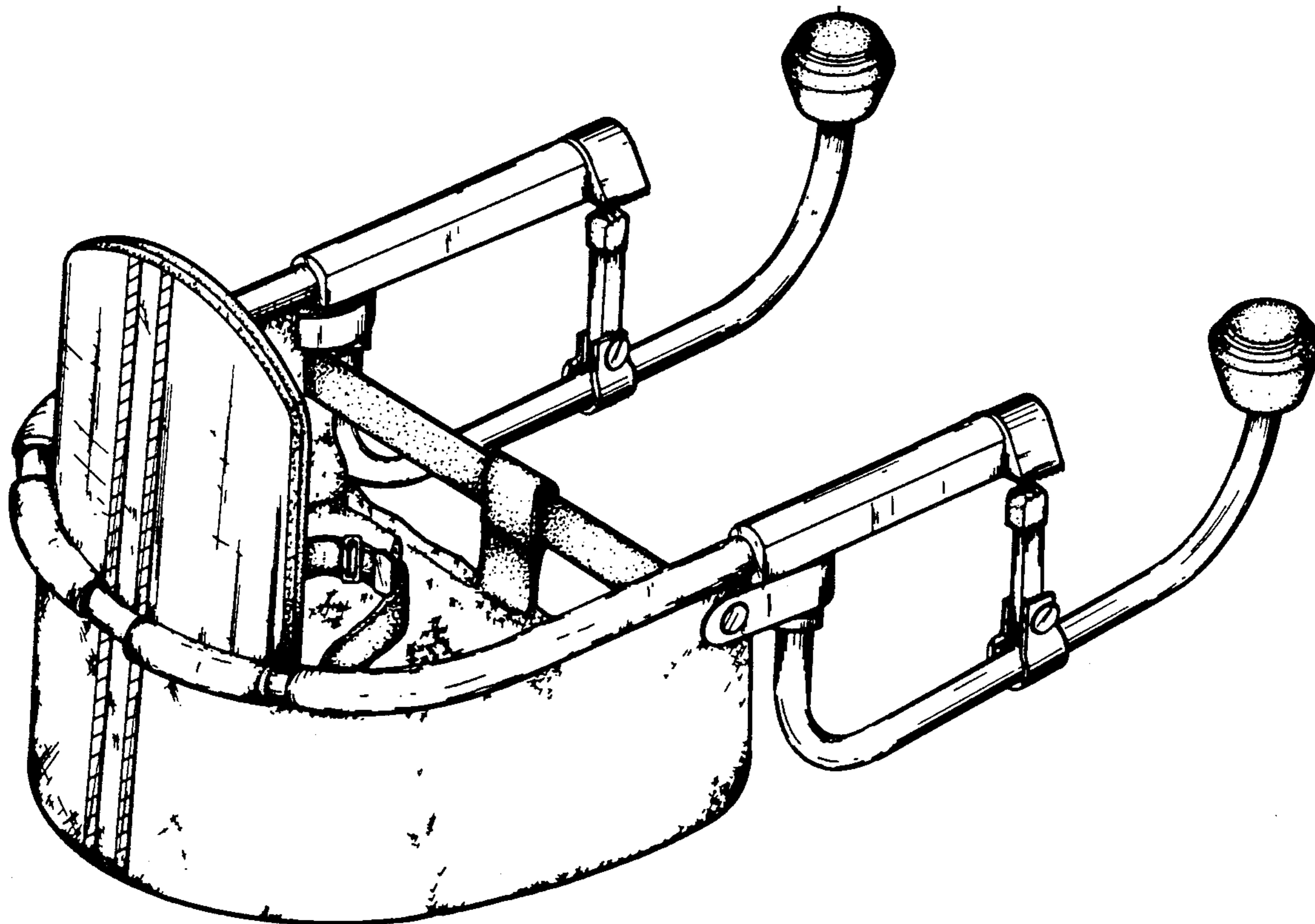
FIG. 2 is a rear elevational view,

FIG. 3 is a front elevational view,

FIG. 4 is a top plan view,

FIG. 5 is a bottom plan view; and

FIG. 6 is a rear perspective view thereof, on an enlarged scale.



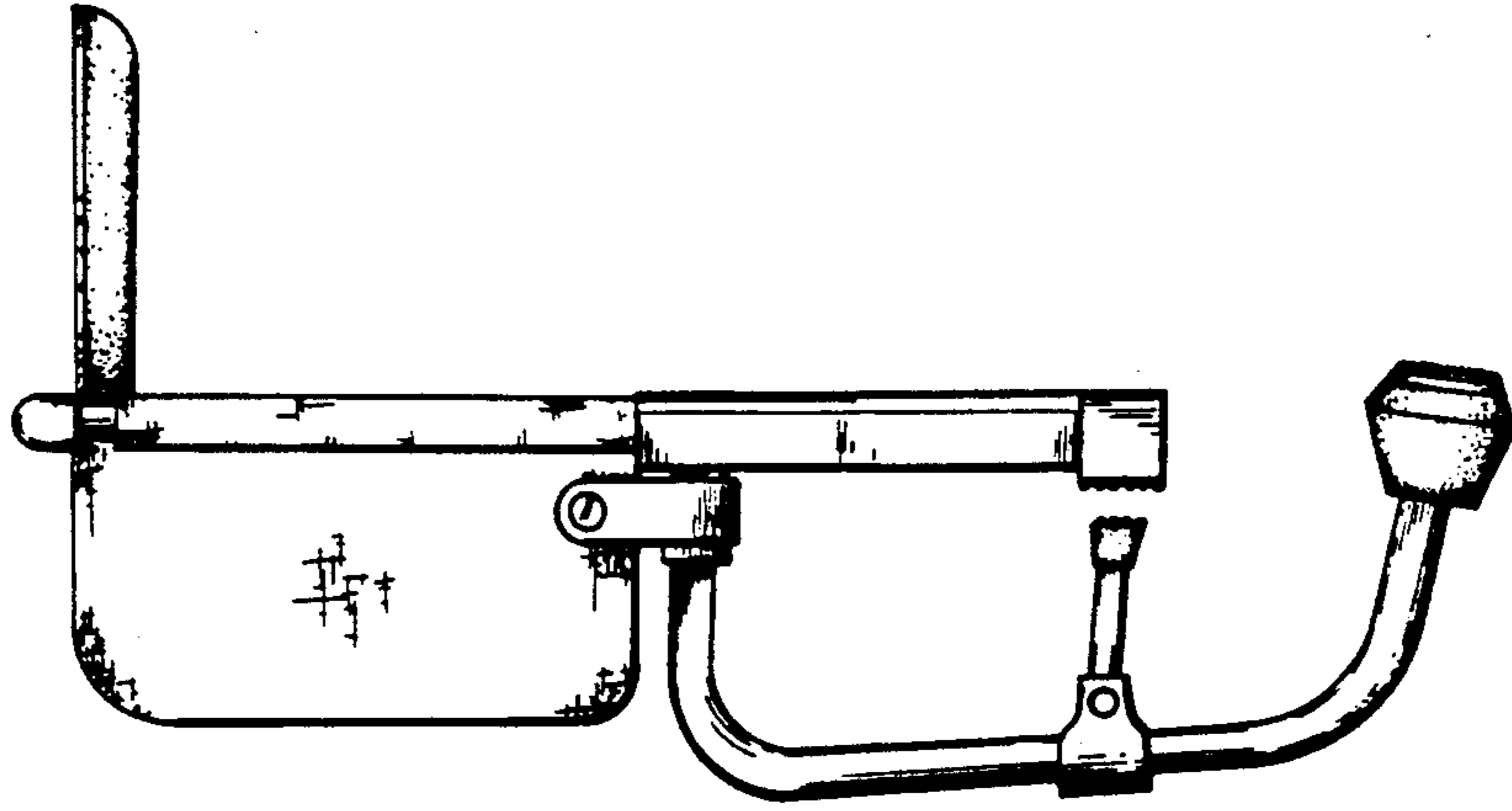


FIG. 1

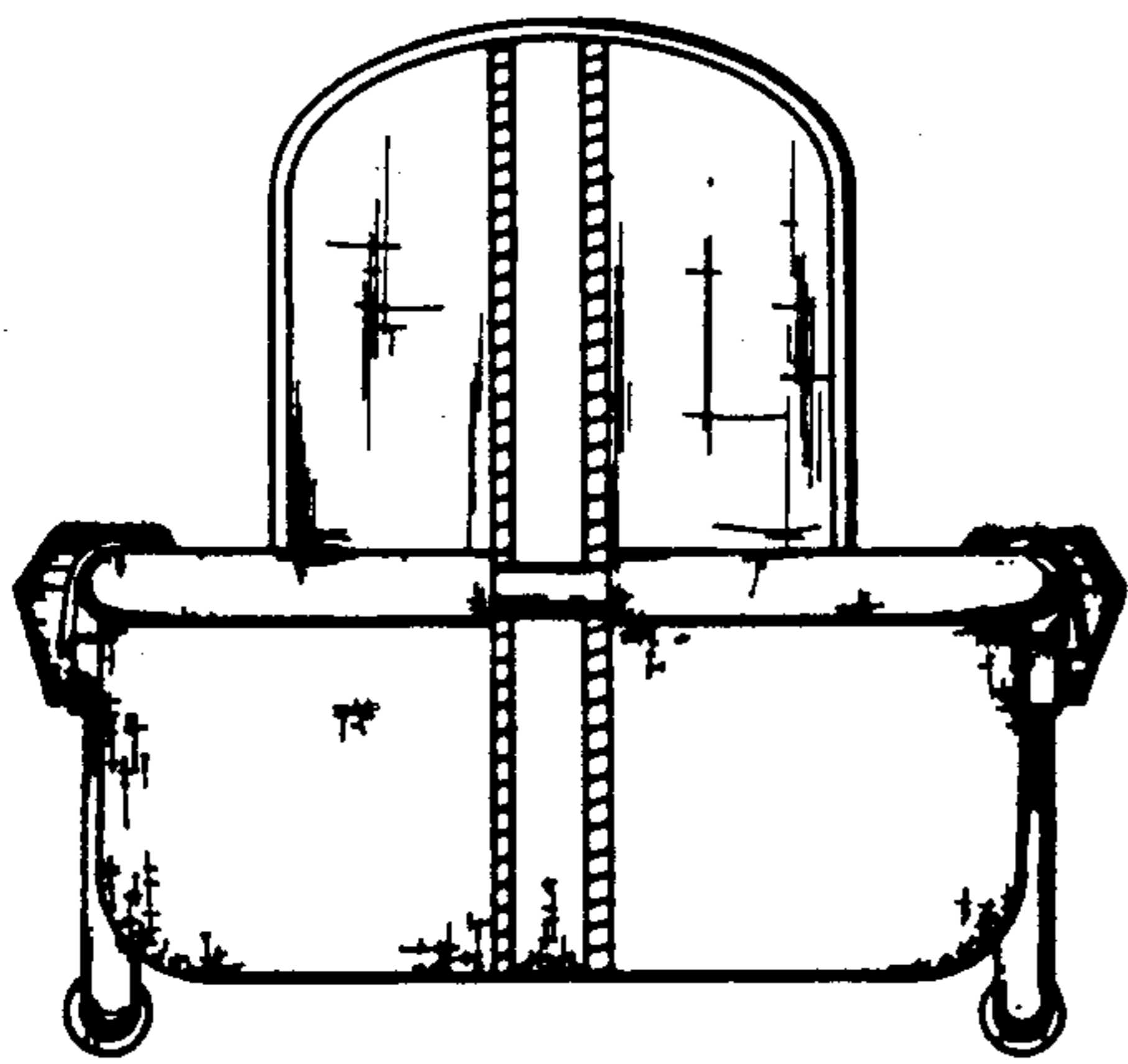


FIG. 2

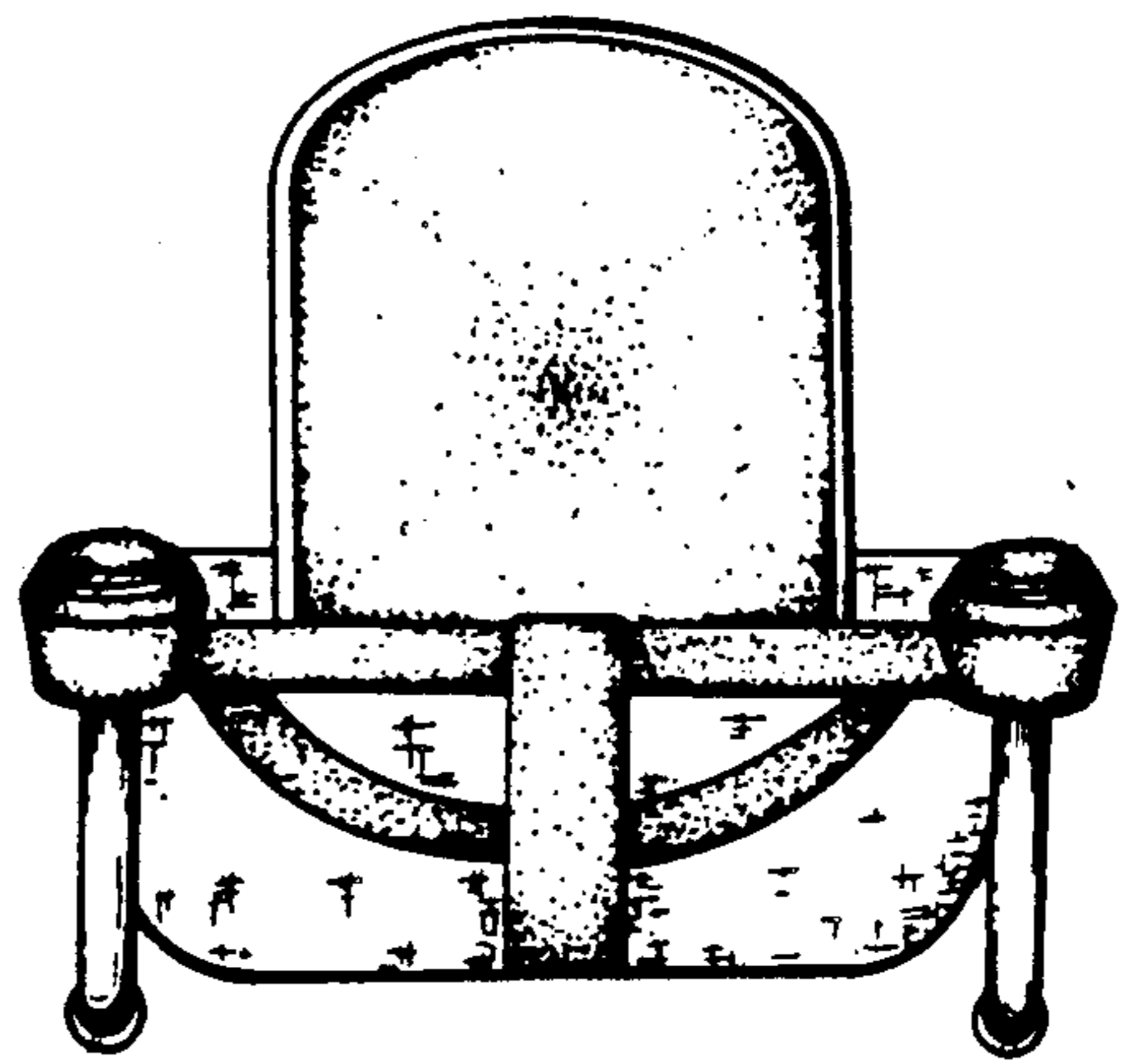


FIG. 3

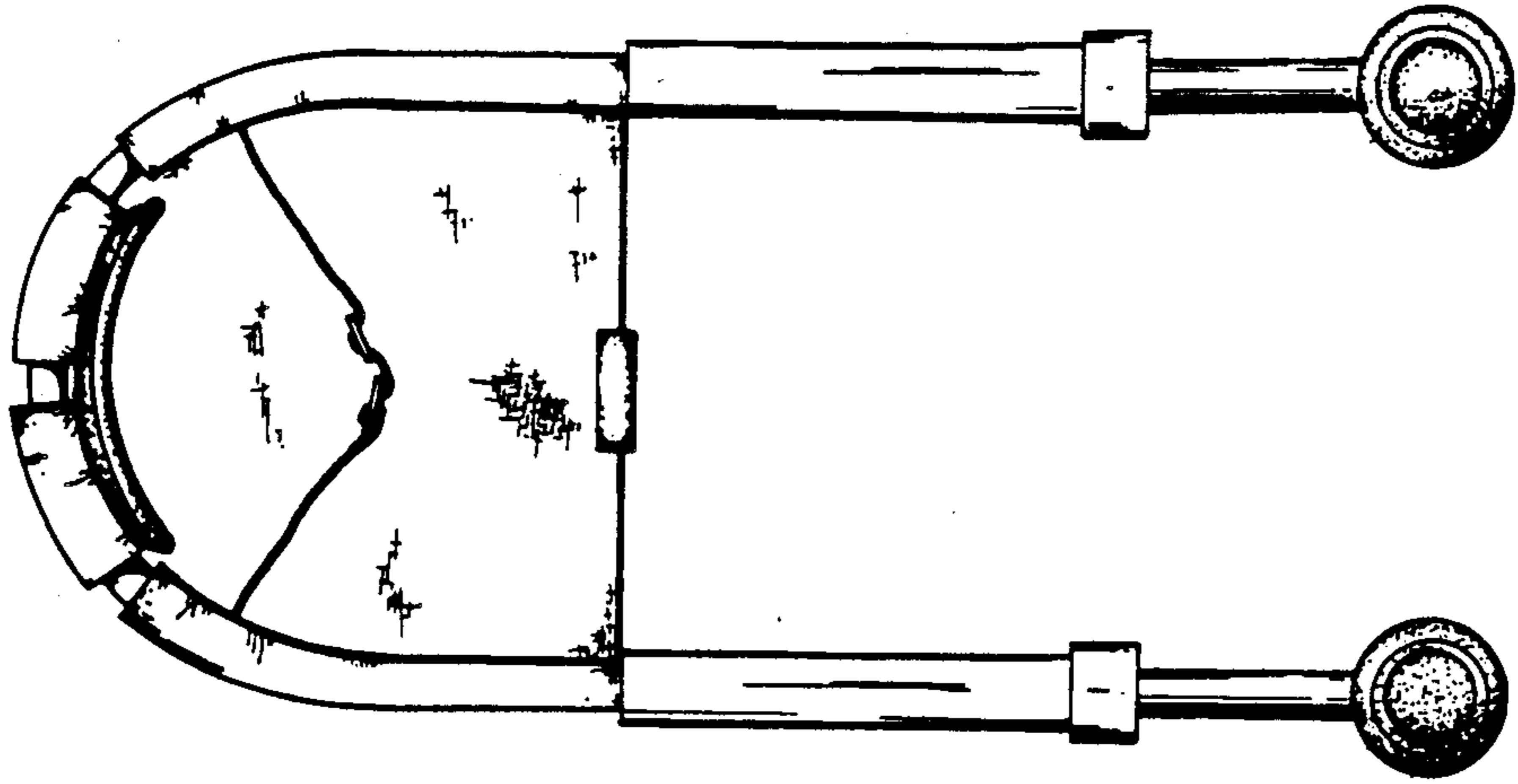


FIG. 4

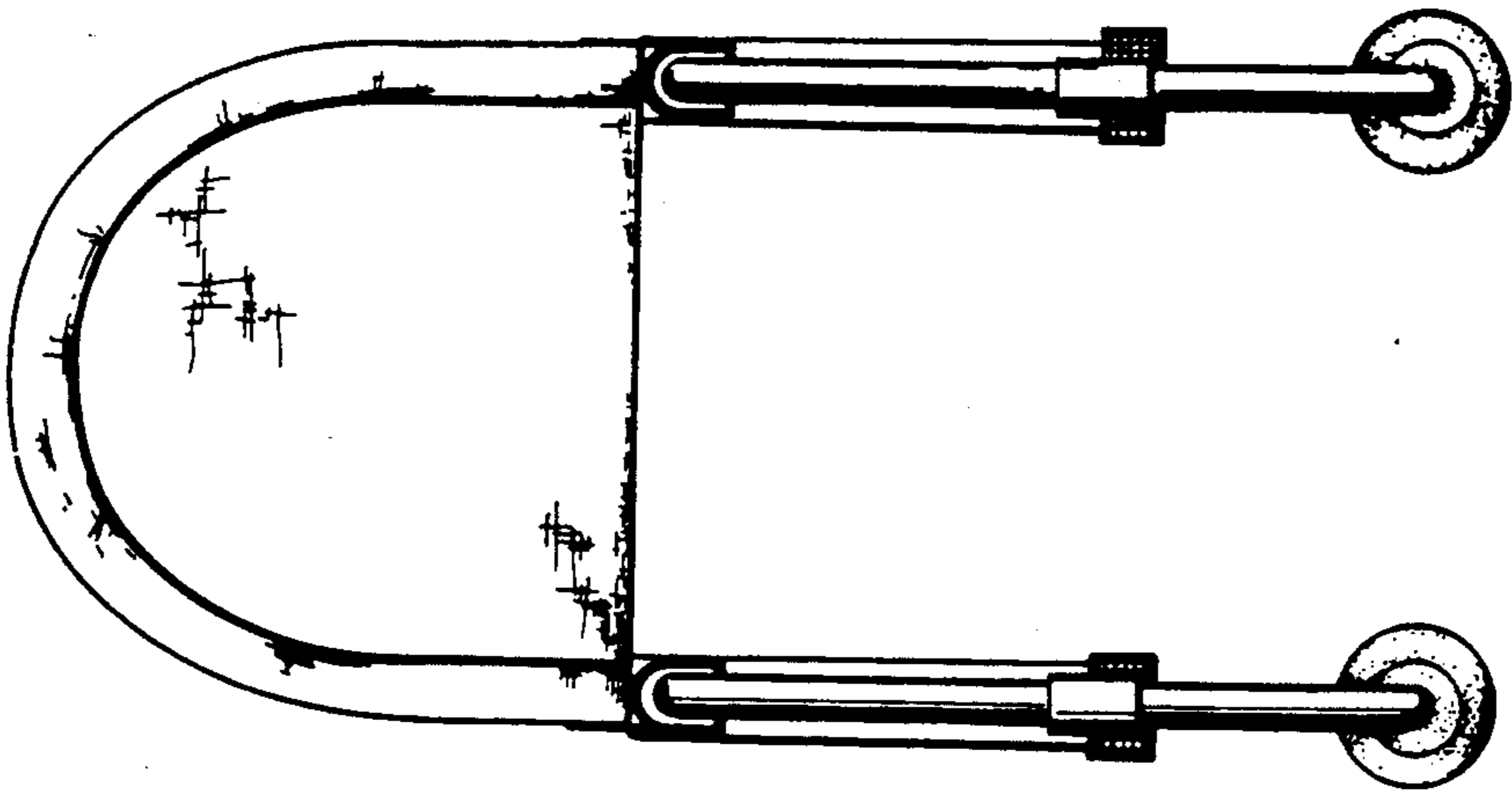


FIG. 5

FIG. 6

