

[54] **ROTATING WASHING BRUSH**

[75] **Inventor: Franco Clivio, Zürich, Switzerland**

[73] **Assignee: Gardena Kress + Kastner GmbH, Fed. Rep. of Germany**

[**] **Term: 14 Years**

[21] **Appl. No.: 315,699**

[22] **Filed: Feb. 27, 1989**

[30] **Foreign Application Priority Data**

Aug. 26, 1988 [DE] Fed. Rep. of Germany M 88 01 187.9

[52] **U.S. Cl. D4/115; D4/102**

[58] **Field of Search D4/100-102, D4/114-115, 127, 130, 138, 199; D32/35, 40, 45; 15/21.1-21.4, 22.1-22.4, 23-24, 28-29, 97.1-97.3; 401/23-25, 137-139, 268-292**

[56] **References Cited**

U.S. PATENT DOCUMENTS

D. 293,629	1/1988	Jordan	D4/115
D. 295,921	5/1988	Spadotto et al.	D4/115
3,271,809	9/1966	Morawski	401/291 X
4,720,883	1/1988	Sanchez	15/29 X

FOREIGN PATENT DOCUMENTS

1155260	10/1983	Canada	15/29
630604	12/1927	France	15/29

OTHER PUBLICATIONS

AL-KO Kober "und Beeindruckend"!, p. 17, Alle Al-Ko Heimwerkergeräte: 1 Jahr Garantie (pub. date unknown).

Elektra Beckum Markenzeichen fortschrittlicher Technik (2 pages) (publication date unknown).

Homapumpen "Homa-Hochdruckreiniger HD708 und HD 1008", (publication date unknown) p. 3.

Hanning Hochdruckreingen, pp. 3 & 7, (publication date unknown).

Karcher, Unbeheizte Hochdruckreiniger, p. 6, (publication date unknown).

K.E.W. Hobby mit allen denkbaren Zubehorerten, (publication date unknown).

Kranzle Die Saubere Lösung (2 pgs.), (publication date unknown).

Wilms zur Strahlenden Sauberkeit Mini Jet (1 pg.), (publication date unknown).

Wap Katalog 105, Wap AG p. 33, (publication date unknown).

Vergreen, Primavera '89 (4 pgs.), Items 1489803; 1489804 on fourth page of catalog dated Nov. 1987.

Waschen und Freizet (pp. 48, 49), (publication date unknown).

New Swirlon 2000, Sylon Halifax-Sylon, (1 pg.), (publication date unknown).

Nitodan, Wenn es um Spüler Wässem und-Reinigen geht., (2 pgs.), (publication date unknown).

Garden Line, Marina, Zubehor-Programm, (2 pgs.), (publication date unknown).

Karcher, Der soubere Dreh! Das neue Karcher System 2000, (2 pgs.), (publication date unknown).

Hydraulische Drehburste G. F., (13 pps.), (publication date unknown).

Claber, Wippy Claber Wascherie, Das Wasser 1st in Grosser Form, (publication date unknown).

Primary Examiner—Wallace R. Burke

Assistant Examiner—Lavone D. Tabor

Attorney, Agent, or Firm—Eckert Seamans Cherin & Mellott

[57] **CLAIM**

The ornamental design for a rotating washing brush, as shown.

DESCRIPTION

FIG. 1 is a perspective view of a rotating washing brush showing my new design;

FIG. 2 is a right side elevational view thereof;

FIG. 3 is a front elevational view thereof;

FIG. 4 is a left side elevational view thereof;

FIG. 5 is a rear elevational view thereof;

FIG. 6 is a top plan view thereof; and

FIG. 7 is a bottom plan view thereof.

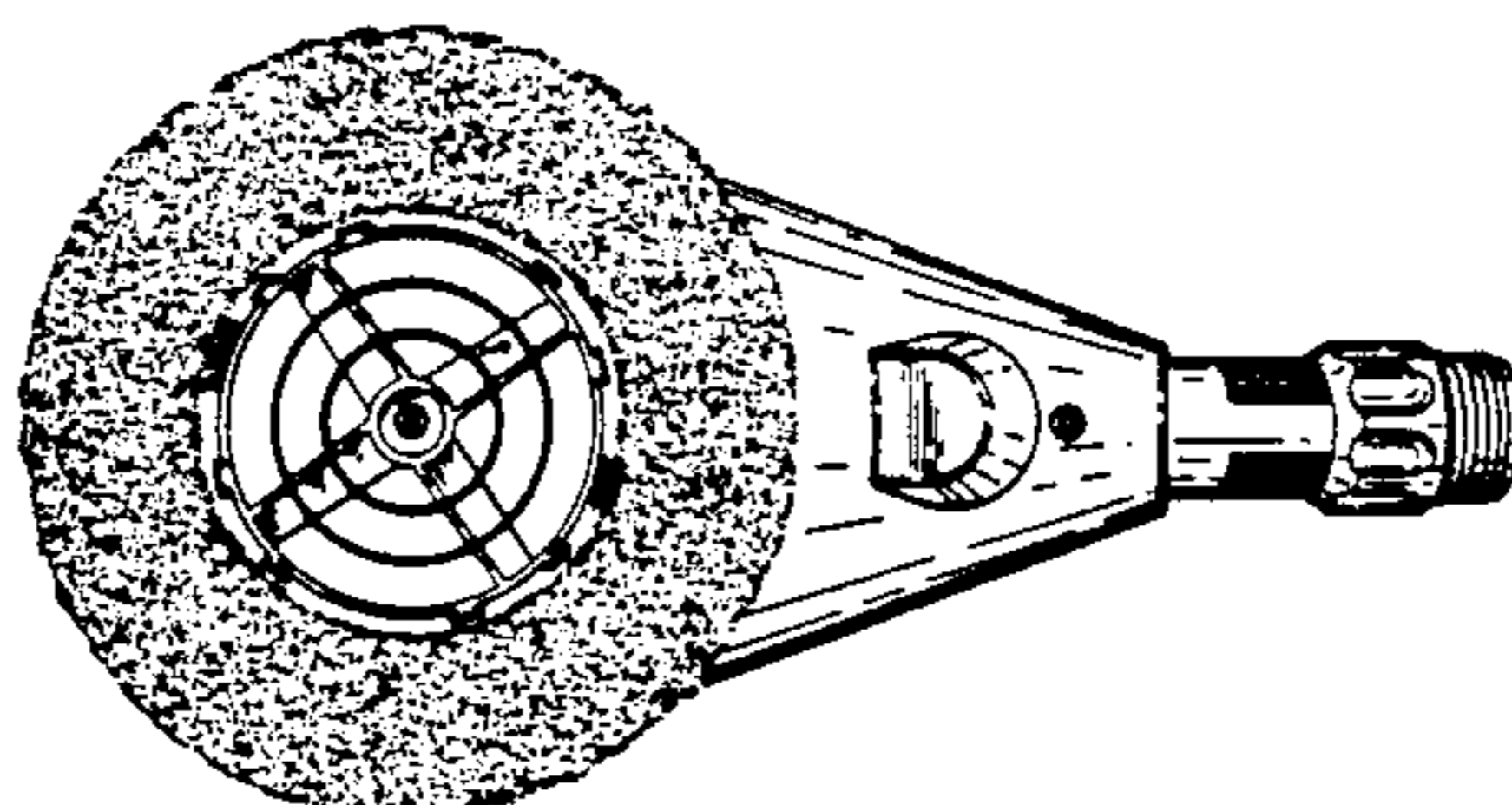
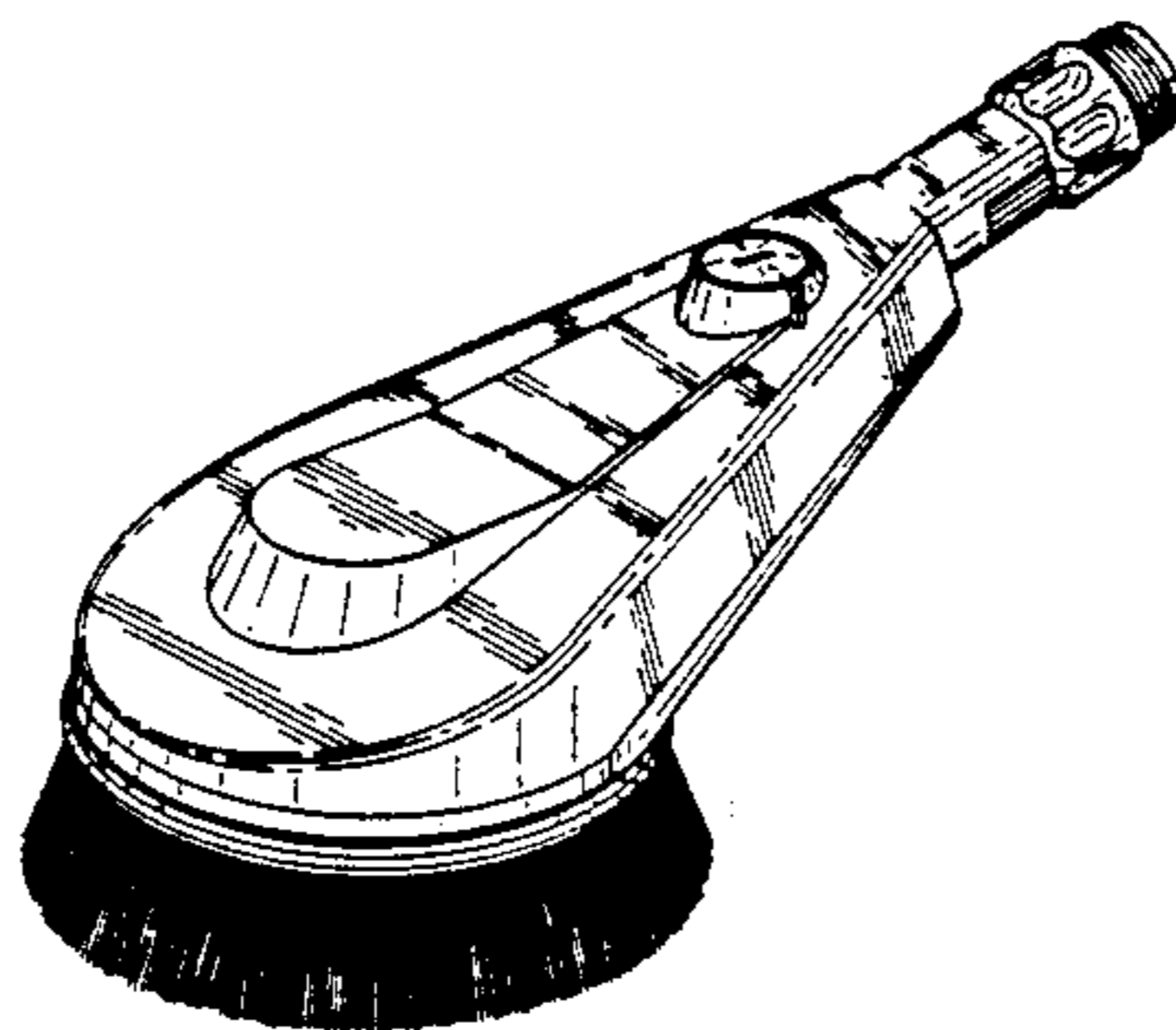


FIG. 1

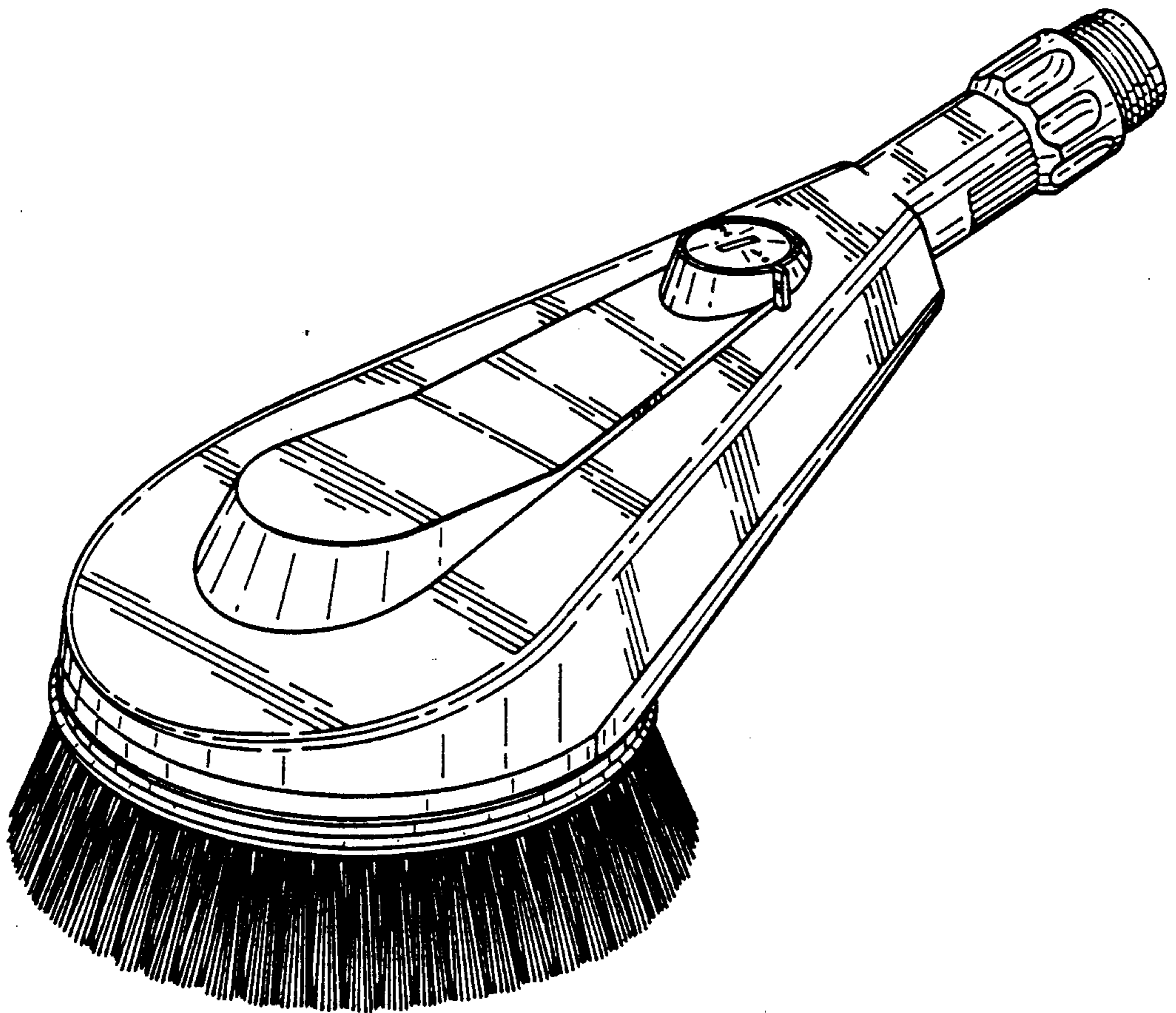


FIG. 2

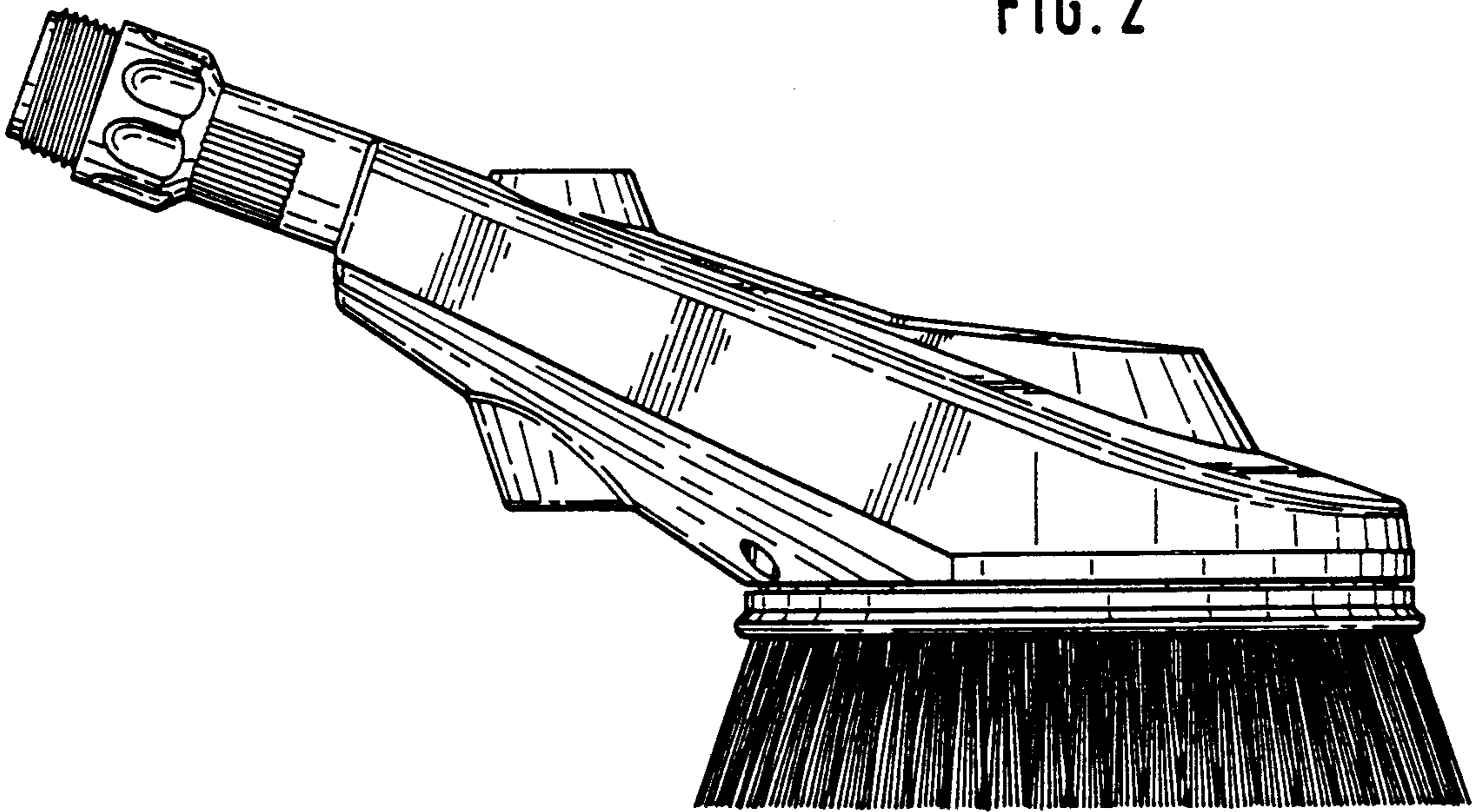


FIG. 3

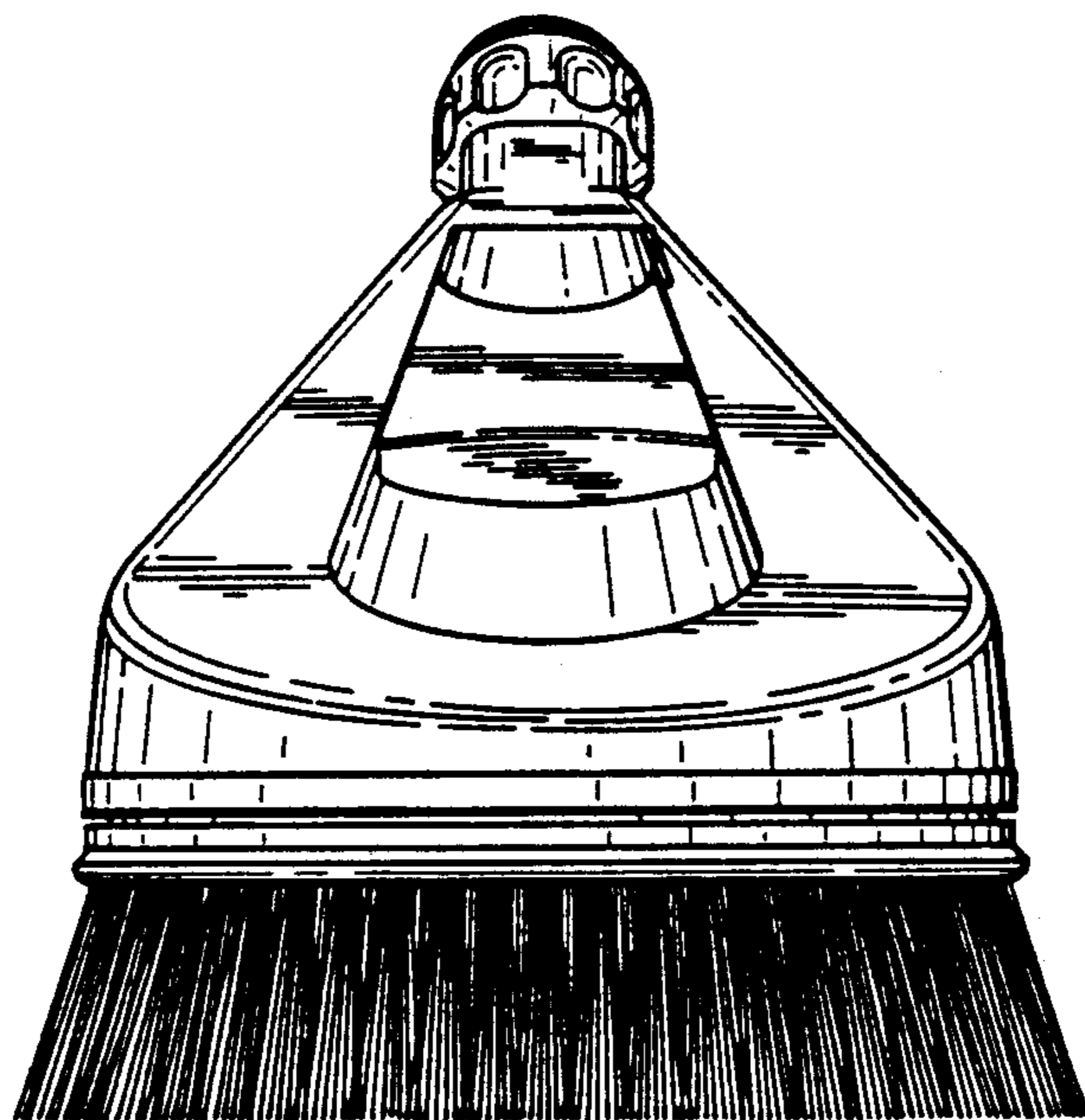


FIG. 4

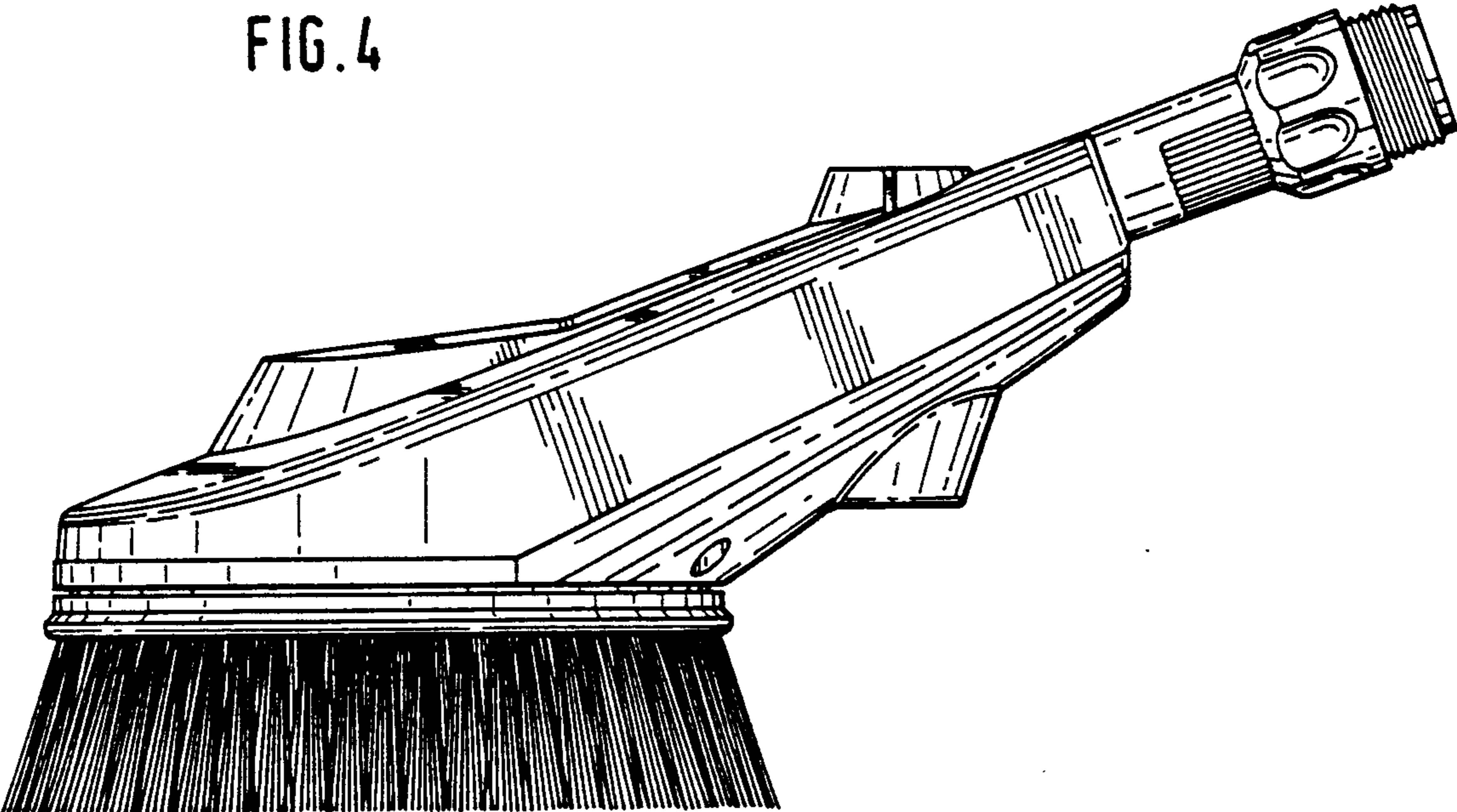


FIG. 5

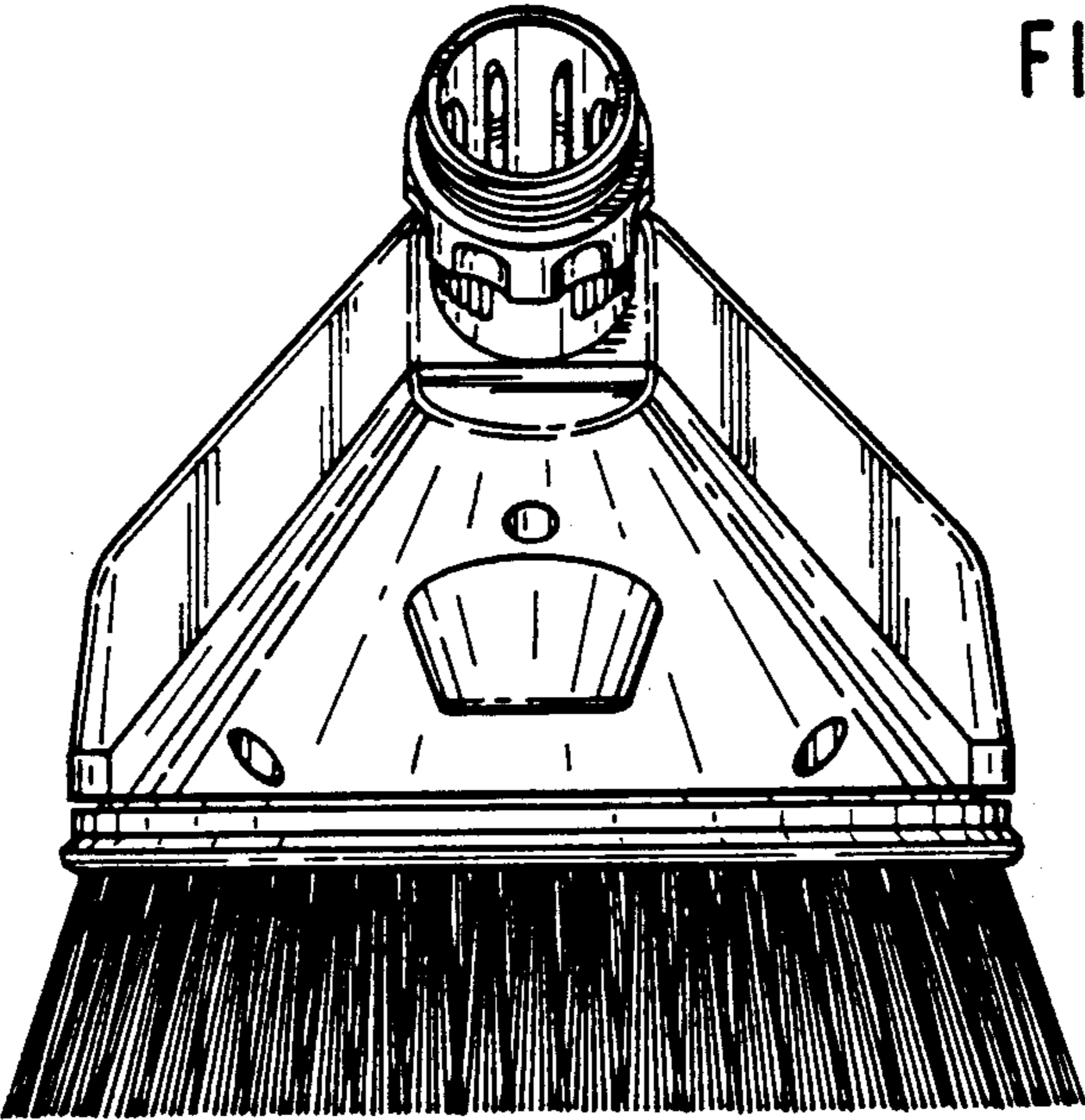


FIG. 6

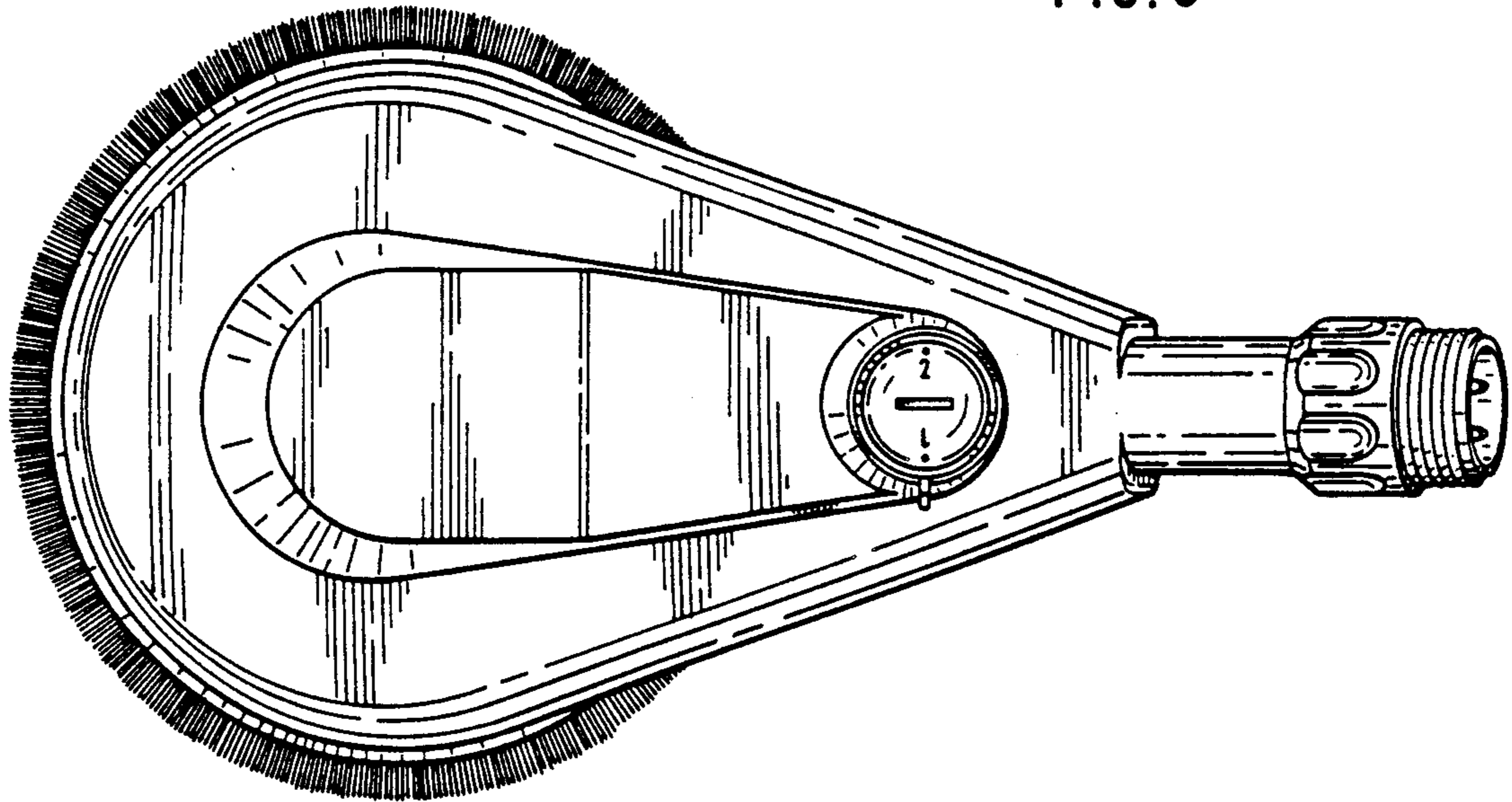


FIG. 7

