

[54] CARRYING CASE FOR COSMETICS OR THE LIKE

[75] Inventor: Brian Lovell, San Diego, Calif.

[73] Assignee: Plano Molding Company, Plano, Ill.

[**] Term: 14 Years

[21] Appl. No.: 212,733

[22] Filed: Jun. 28, 1988

[52] U.S. Cl. D3/72; D3/39

[58] Field of Search D3/72, 71, 74, 75, 76, D3/78, 39, 36, 30.1, 42; 150/100, 117; 190/100, 109, 115

[56] References Cited

U.S. PATENT DOCUMENTS

- D. 181,880 1/1958 Rosen et al. D3/76 X
- D. 199,950 12/1964 Deschamps et al. D3/38 X
- D. 220,151 3/1971 Waters D3/39 X
- D. 237,121 10/1975 Metzner D3/38 X
- D. 303,874 10/1989 Wermo D3/39

FOREIGN PATENT DOCUMENTS

0171522 5/1965 U.S.S.R. 190/100

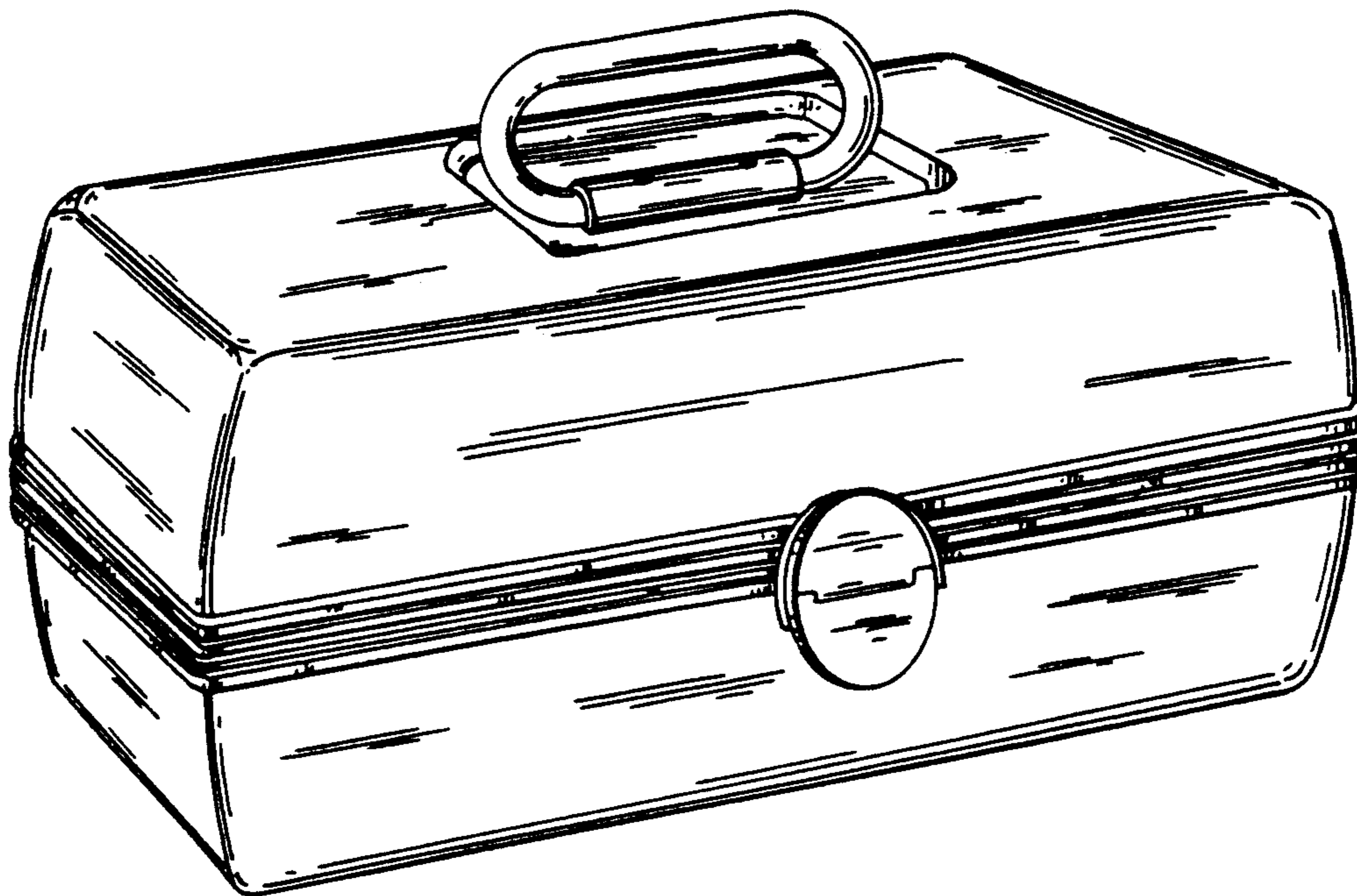
Primary Examiner—Louis S. Zarfes
Attorney, Agent, or Firm—Wood, Phillips, Mason,
Recktewald & VanSanten

[57] CLAIM

The ornamental design for a carrying case for cosmetics or the like, as shown and described.

DESCRIPTION

FIG. 1 is a front perspective view of a carrying case for cosmetics or the like showing my new design;
FIG. 2 is a front elevational view;
FIG. 3 is a top plan view;
FIG. 4 is a bottom plan view;
FIG. 5 is a rear elevational view;
FIG. 6 is an end elevational view taken from the left of FIG. 3; and
FIG. 7 is an end elevational view taken from the right of FIG. 3.



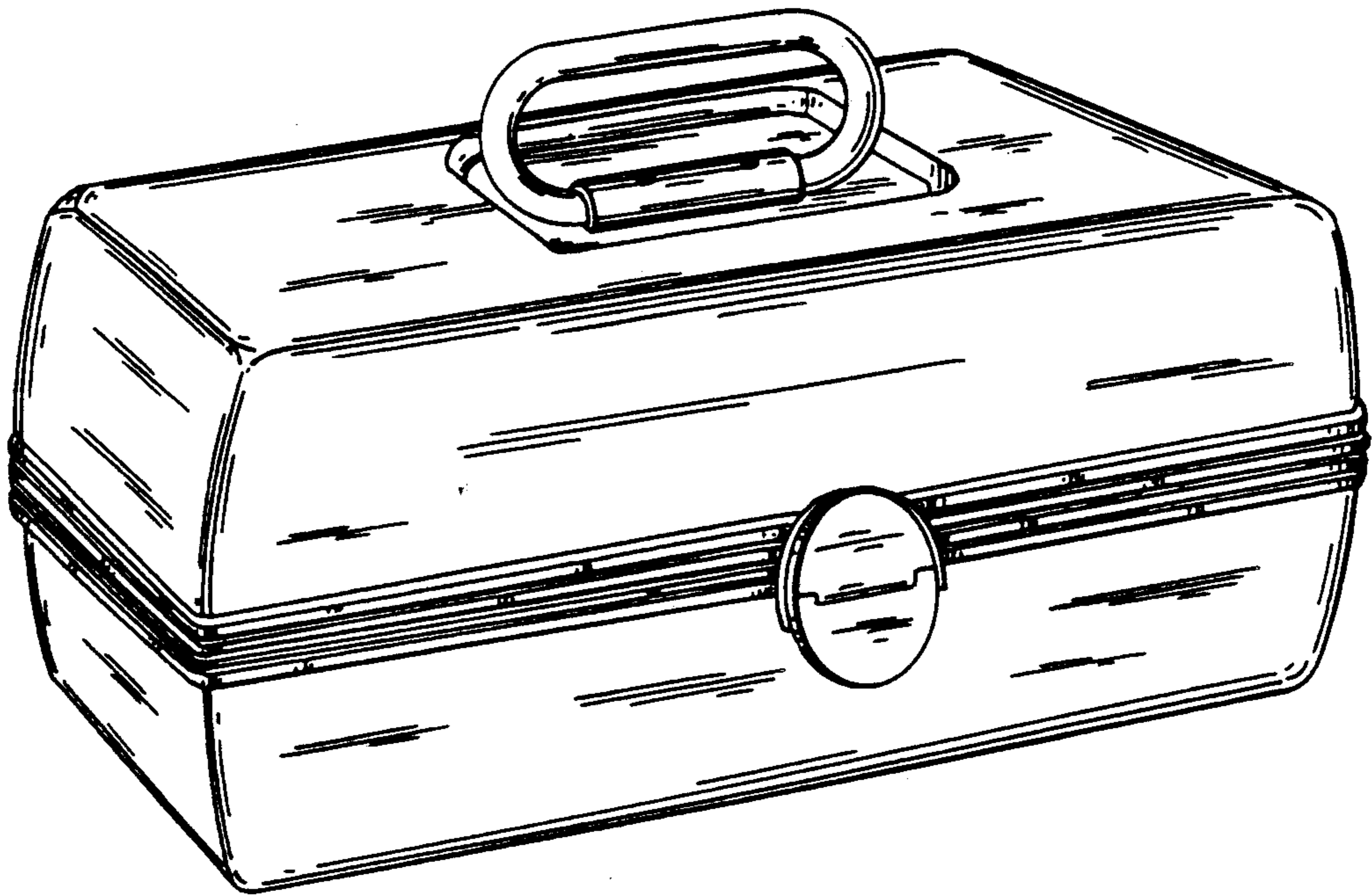


FIG. 1

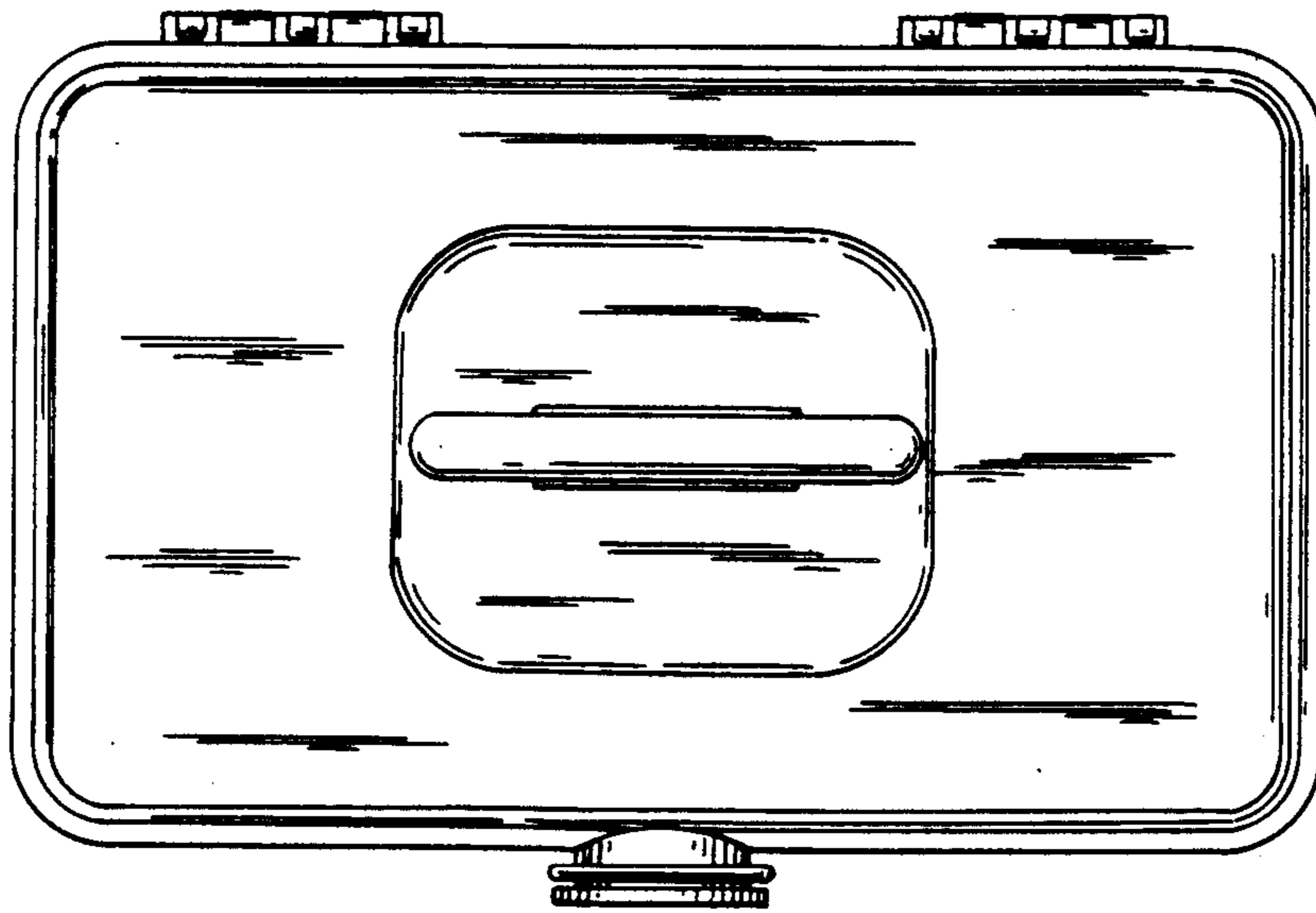


FIG. 3

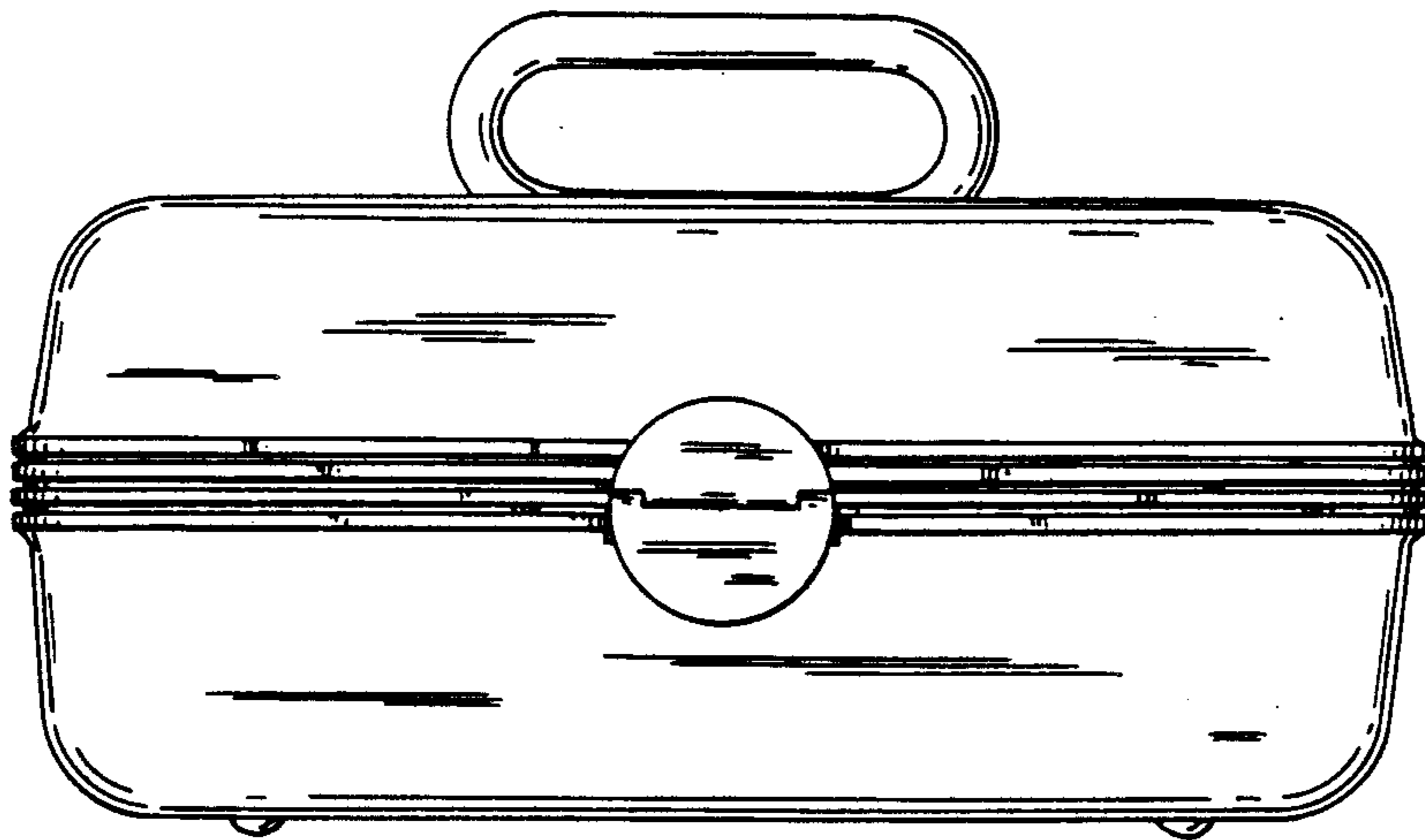


FIG. 2

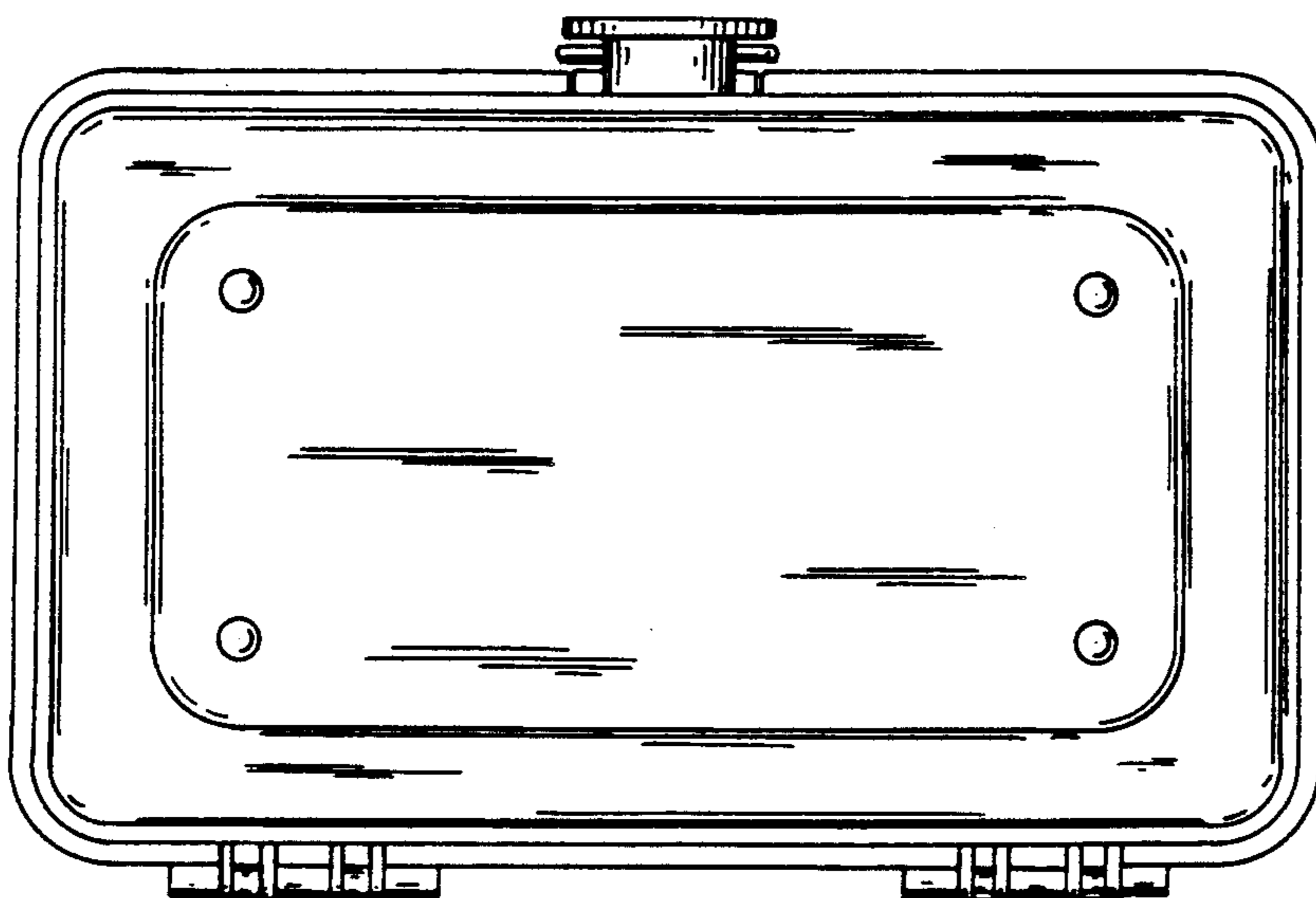


FIG. 4

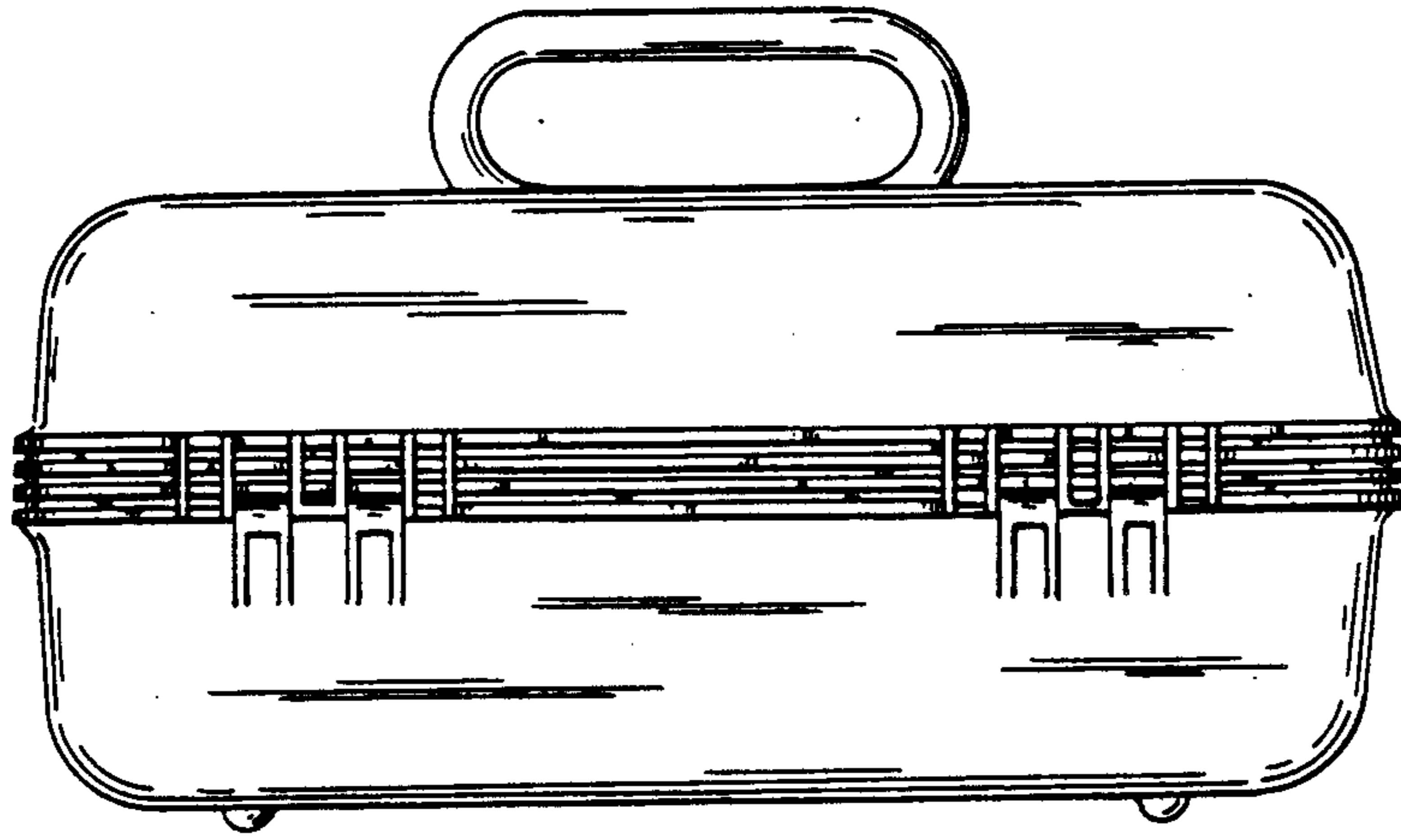


FIG. 5

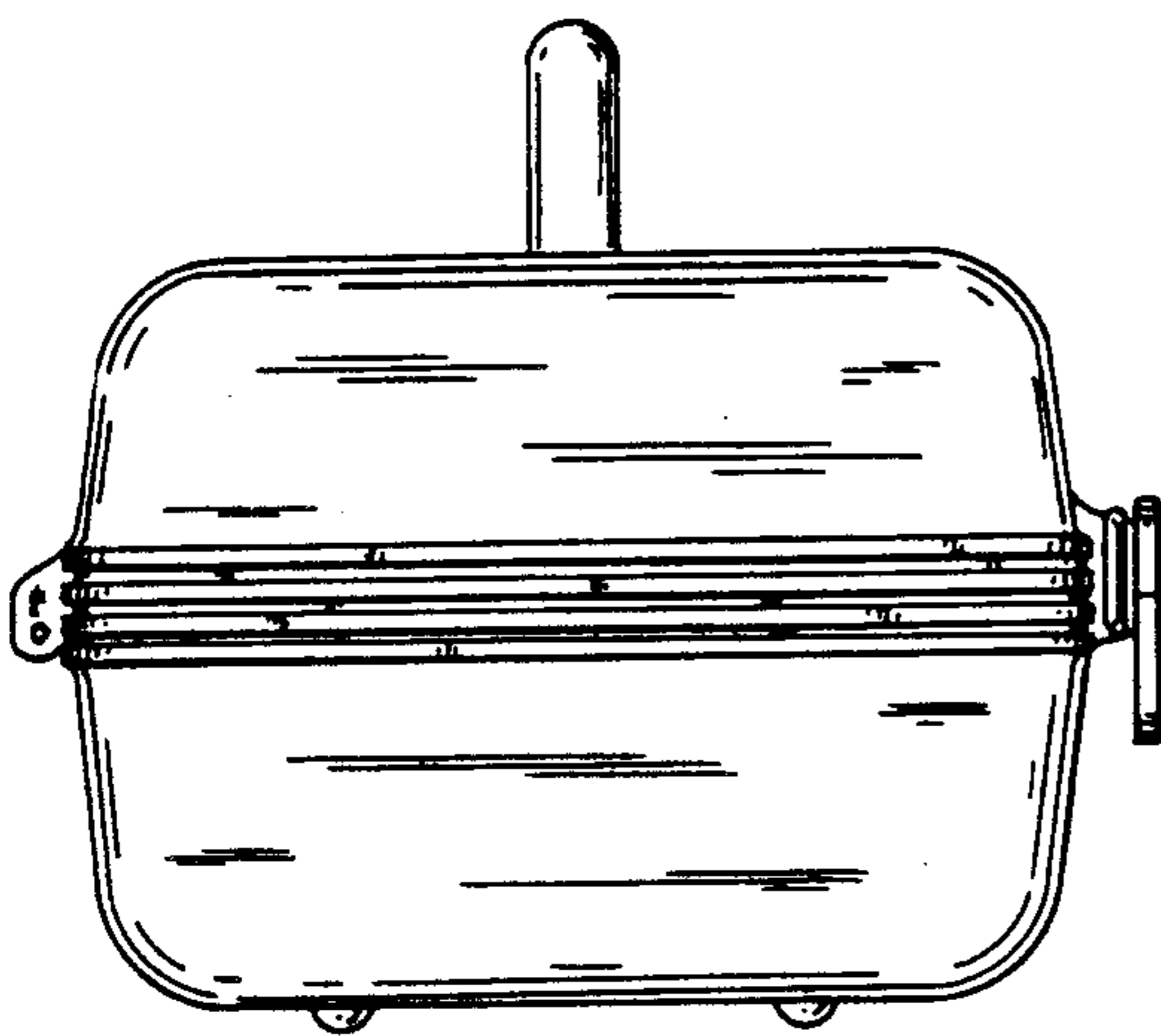


FIG. 6

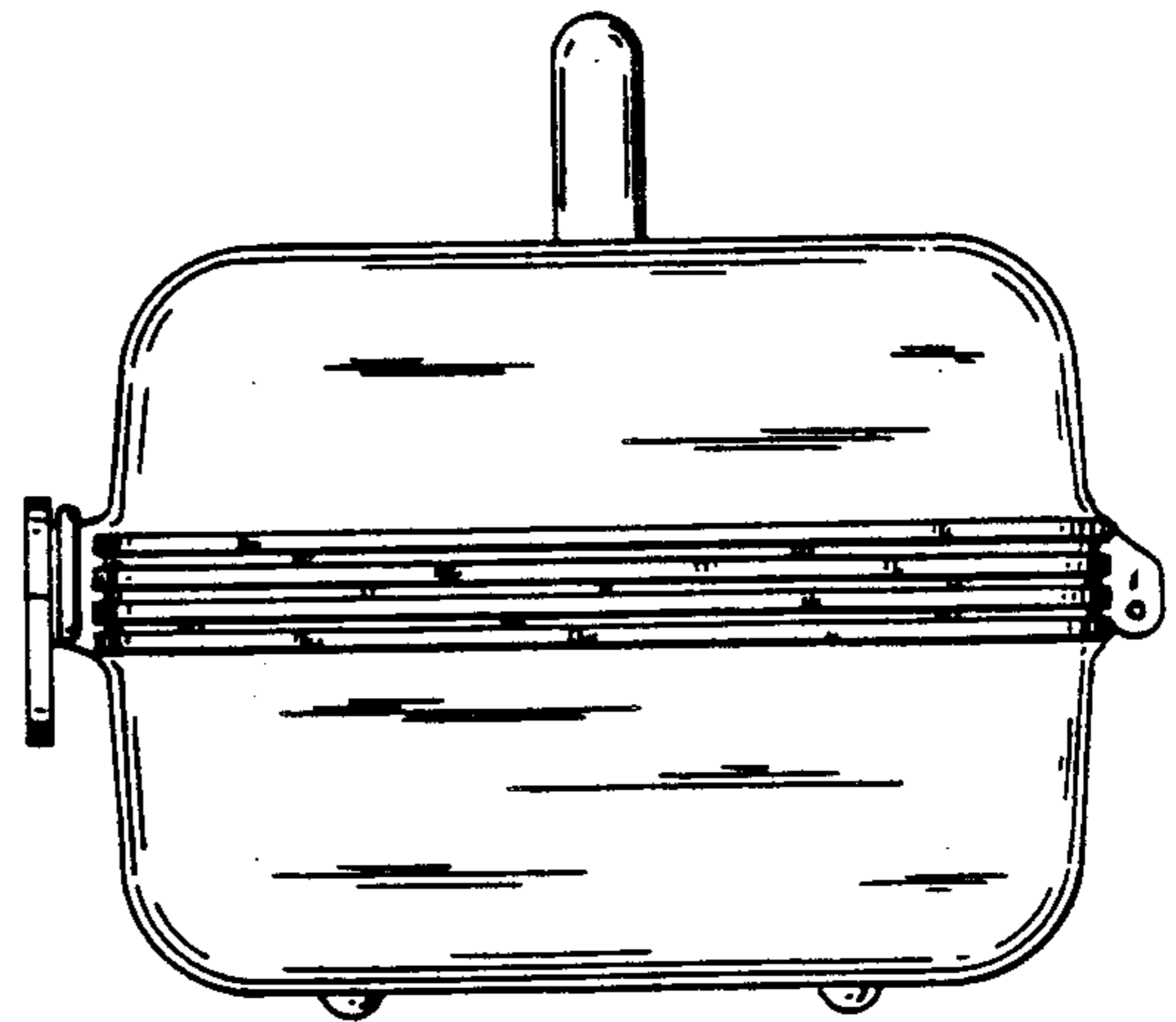


FIG. 7