

[54] RESTRAINT VEST

[75] Inventor: Randal R. Ruge, Swanton, Ohio

[73] Assignee: R. R. Ruge, Inc., Toledo, Ohio

[**] Term: 14 Years

[21] Appl. No.: 307,602

[22] Filed: Feb. 8, 1989

[52] U.S. Cl. D2/184; D2/183; D2/190; D2/191; D2/206; D2/225; D2/229

[58] Field of Search D2/183, 184, 187, 190, D2/191, 206, 225, 229; D21/238; D29/6, 10, 11; 2/102, 247, 253, 2.5, 92

[56] References Cited

U.S. PATENT DOCUMENTS

- D. 250,226 11/1978 Shaw D2/191
- D. 293,356 12/1987 Golden D21/238
- D. 293,618 1/1988 Berenson D2/184
- D. 294,515 3/1988 Gercken D21/238
- 1,288,408 12/1918 Hait et al. 2/92
- 2,280,360 4/1942 Walsh 2/92
- 2,665,426 1/1954 Schmidt D2/225

- 4,555,812 12/1985 Akers 2/94
- 4,840,591 6/1989 Dulin et al. D21/238

Primary Examiner—A. Hugo Word
Assistant Examiner—Celia A. Murphy
Attorney, Agent, or Firm—Robert E. Witt

[57] CLAIM

The ornamental design for a restraint vest, as shown and described.

DESCRIPTION

FIG. 1 is a top plan view of a Restraint Vest showing my new design, the flap shown being raised and the broken away strap portions being for convenience of illustration;

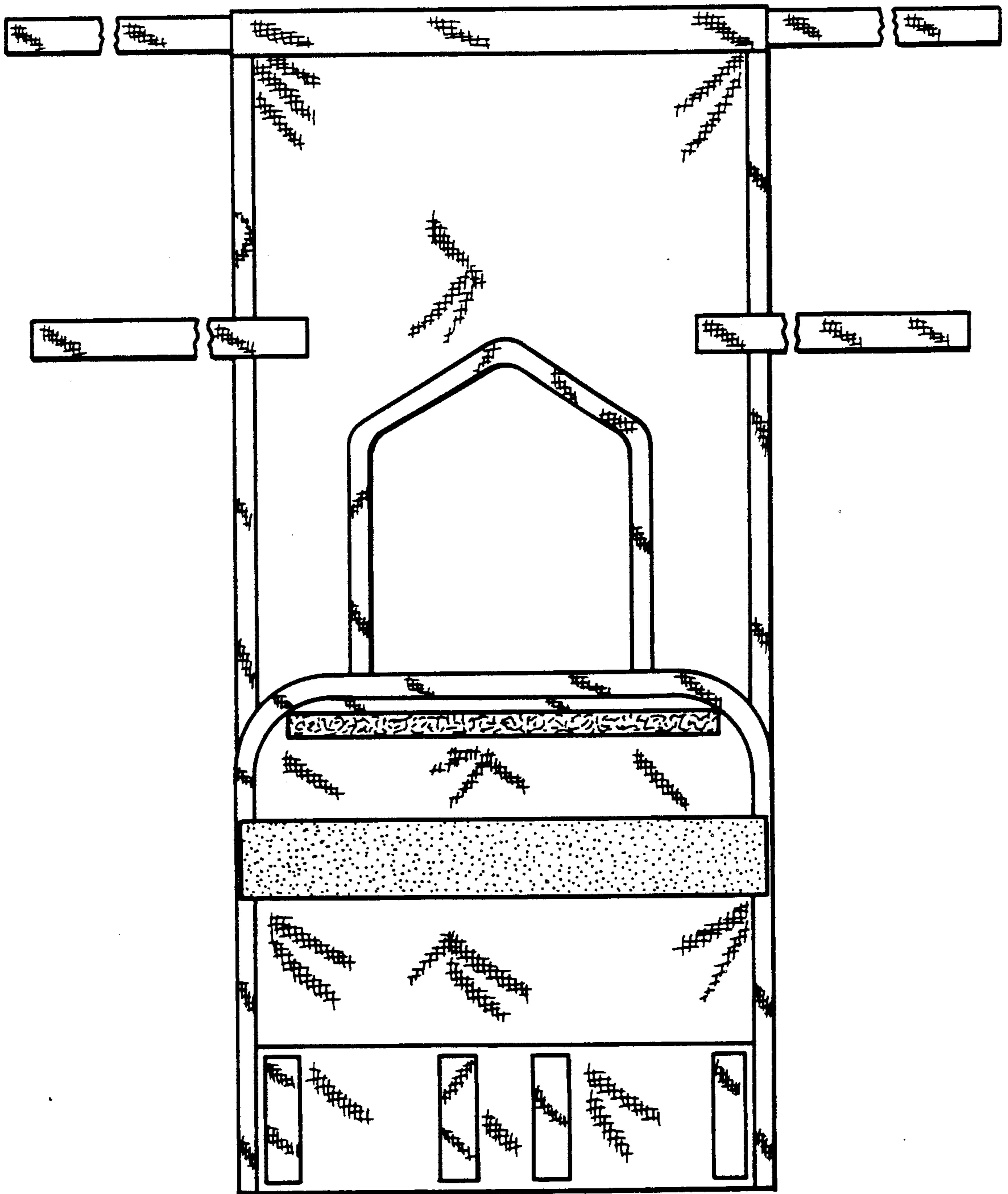
FIG. 2 is a bottom plan view thereof;

FIG. 3 is a right side elevational view thereof, showing the edges of the straps the left side being a mirror image thereof.

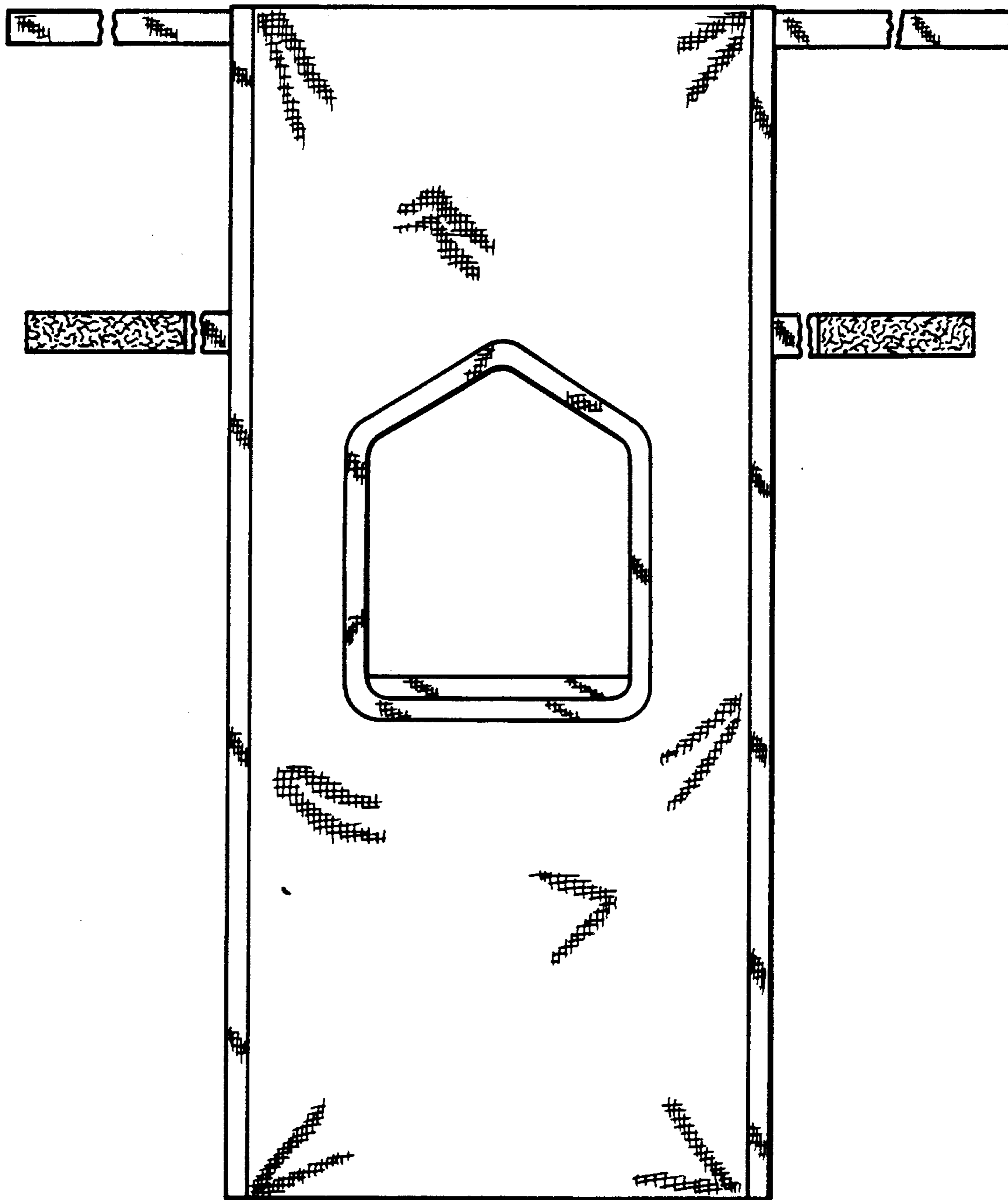
FIG. 4 is a front perspective view shown in the position of use, the flap being hidden from view thereof; and

FIG. 5 is a rear perspective view of FIG. 4, the broken away strap portions again being for convenience of illustration.





—FIG. 1



—FIG. 2

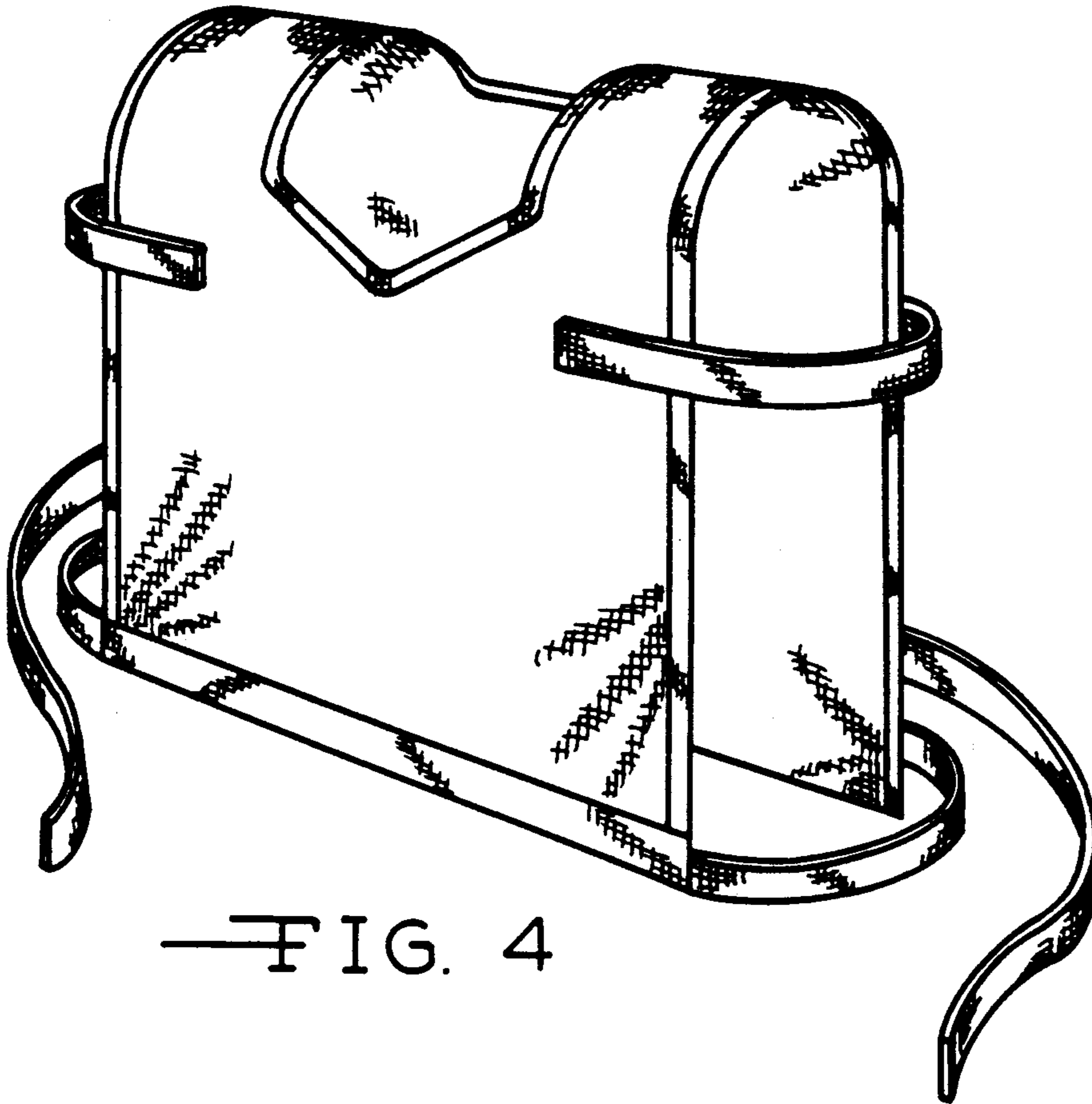


FIG. 4

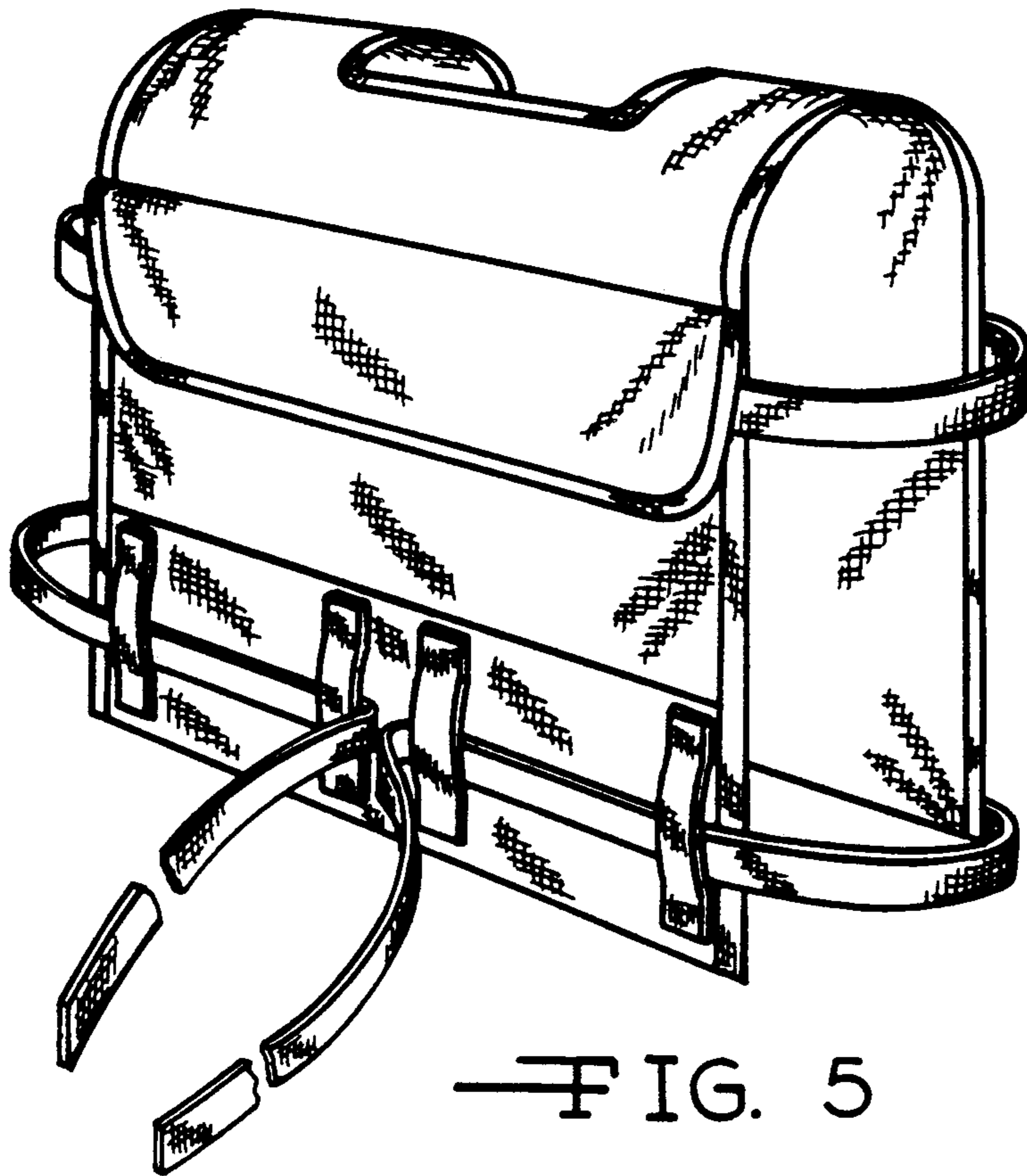


FIG. 5



FIG. 3