

# United States Patent [19]

Sahm, Jr.

[11] Patent Number: Des. 315,240

[45] Date of Patent: \*\* Mar. 5, 1991

[54] PALLET

[76] Inventor: Victor A. Sahm, Jr., 14910 Lake Forest Dr., Dallas, Tex. 75240

[\*\*] Term: 14 Years

[21] Appl. No.: 380,253

[22] Filed: Jul. 17, 1989

[52] U.S. Cl. .... D34/38

[58] Field of Search ..... 108/901, 902; D34/38

[56] **References Cited**

**U.S. PATENT DOCUMENTS**

D. 259,189	5/1981	Wilson et al. ....	D34/38
4,183,491	1/1980	Sanders et al. ....	108/901
4,597,338	7/1986	Kreeger .....	108/902

*Primary Examiner*—Wallace R. Burke  
*Assistant Examiner*—Holly H. Baynham  
*Attorney, Agent, or Firm*—Kenneth R. Glaser

[57] **CLAIM**

The ornamental design for a pallet, as shown and described.

**DESCRIPTION**

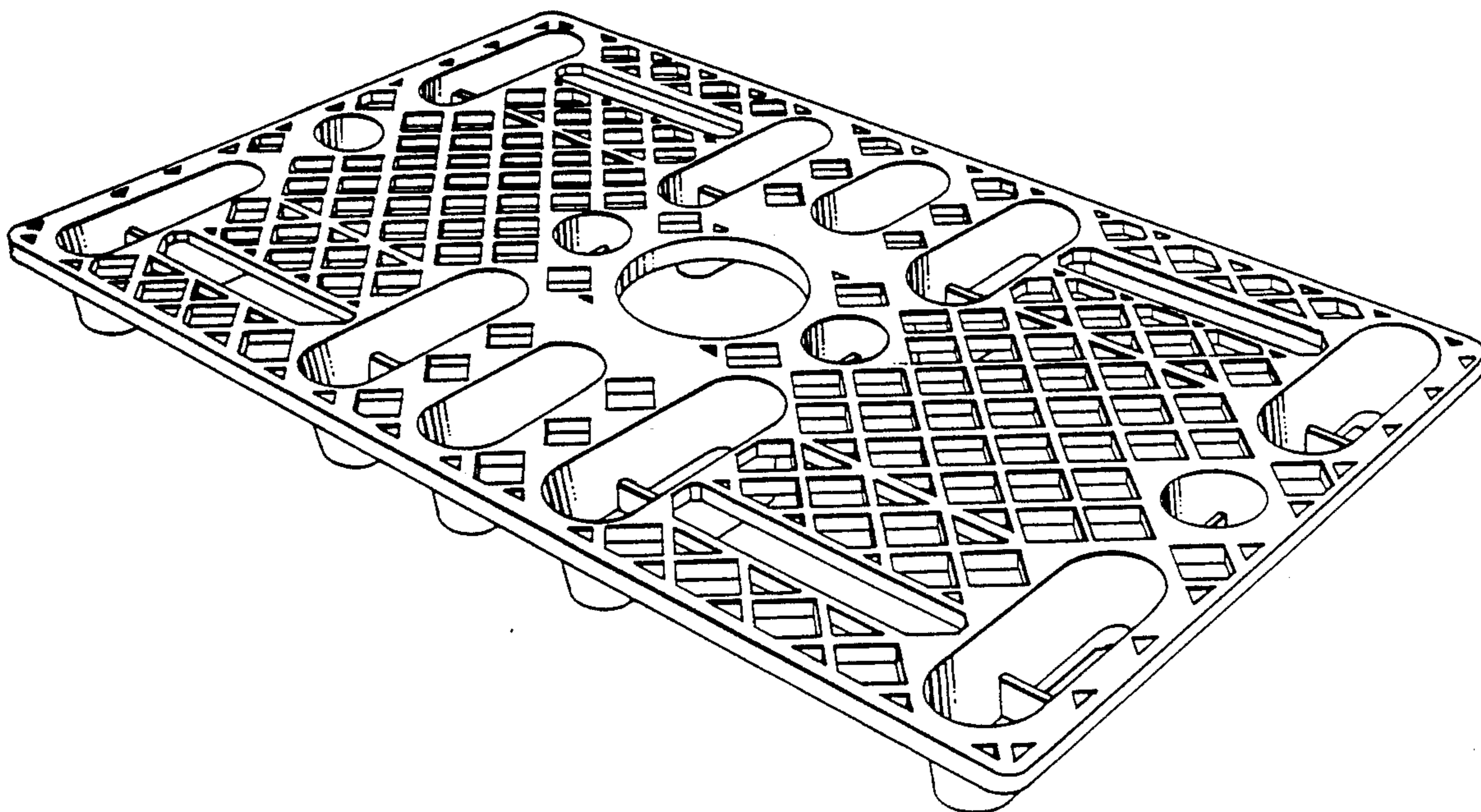
FIG. 1 is a top perspective view of a pallet showing my new design;

FIG. 2 is a top plan view thereof;

FIG. 3 is a bottom plan view thereof;

FIG. 4 is a side elevational view thereof from either side; and

FIG. 5 is an end elevational view thereof from either end.



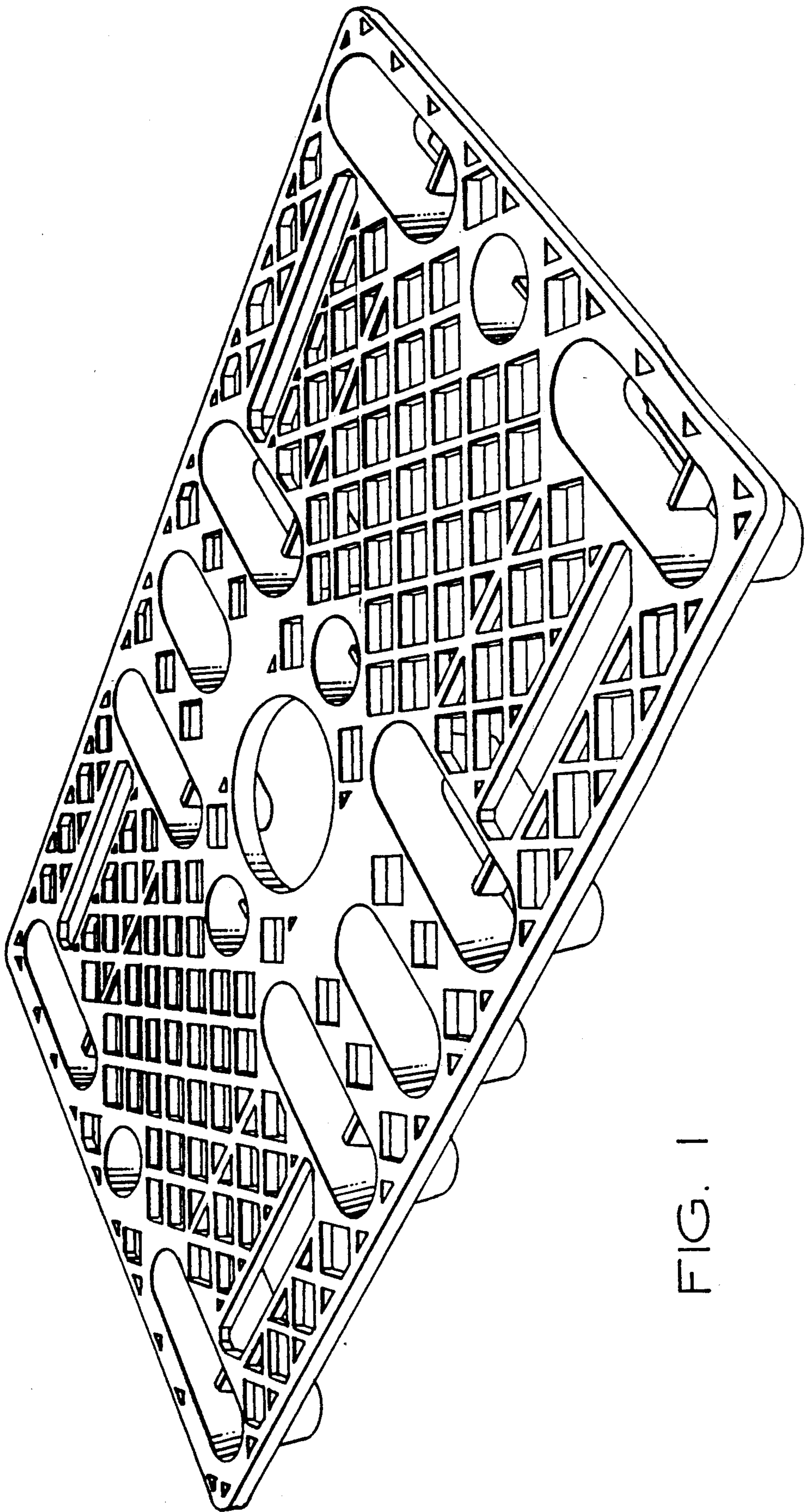


FIG. 1

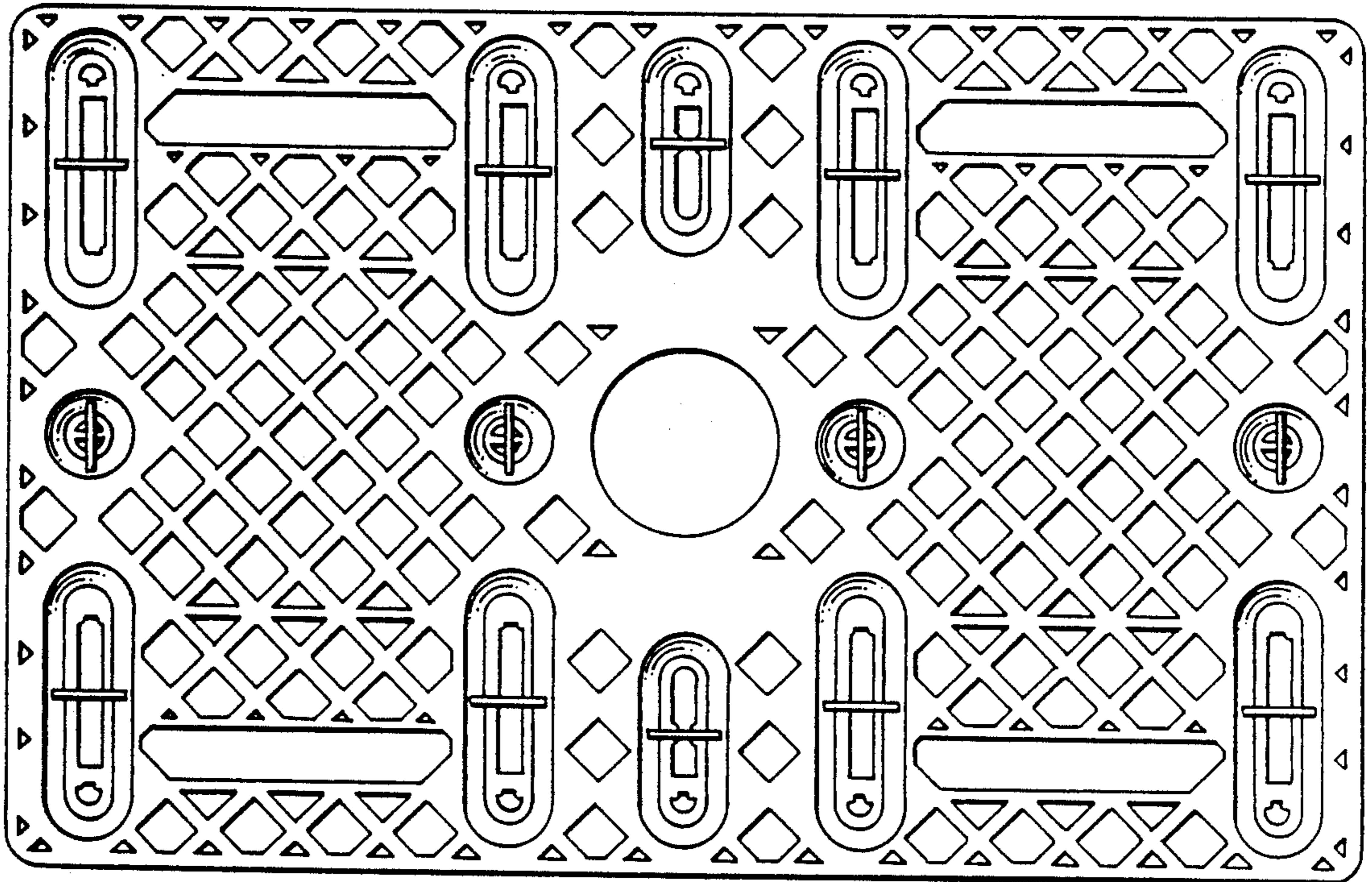


FIG. 2

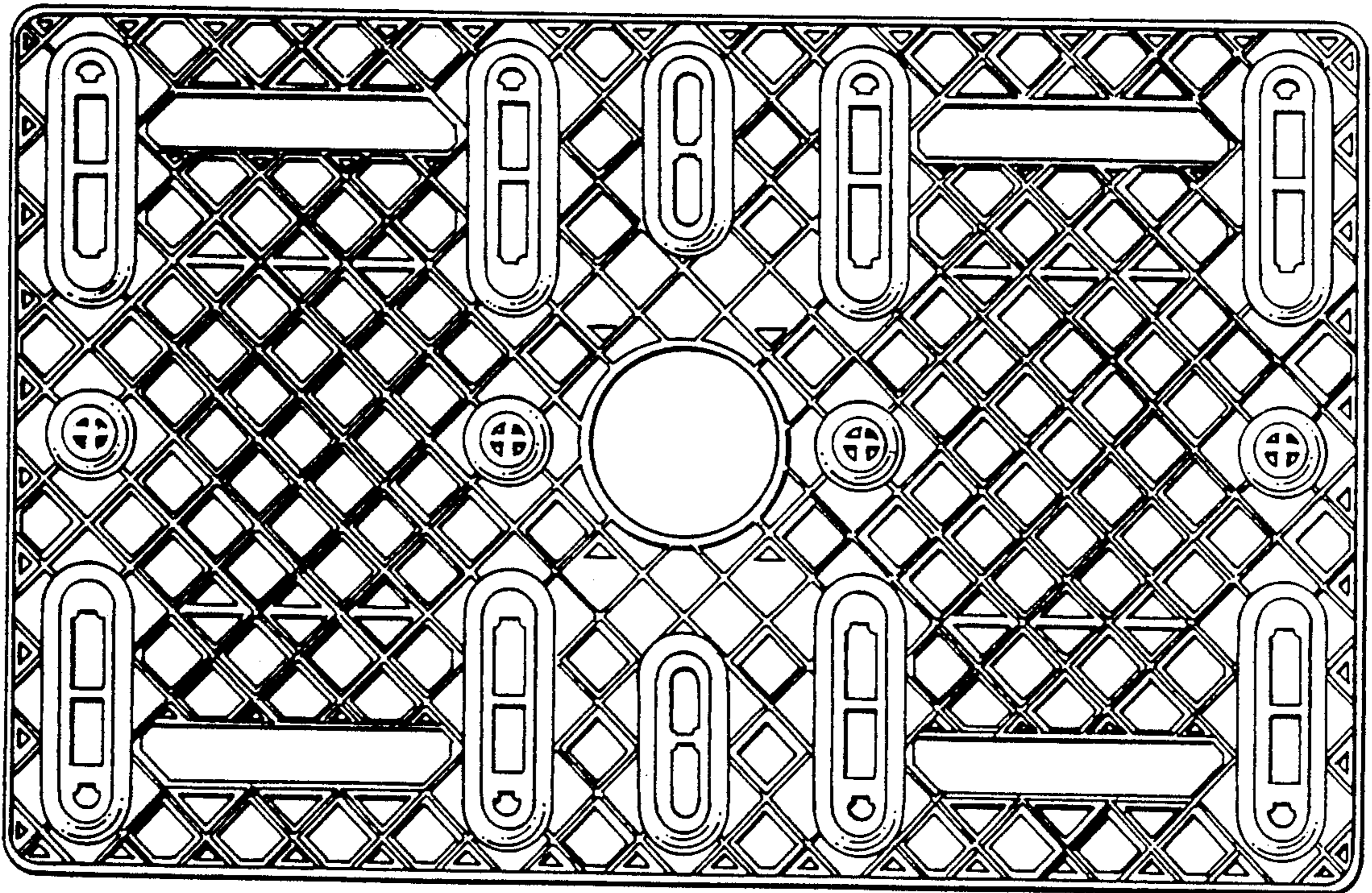


FIG. 3

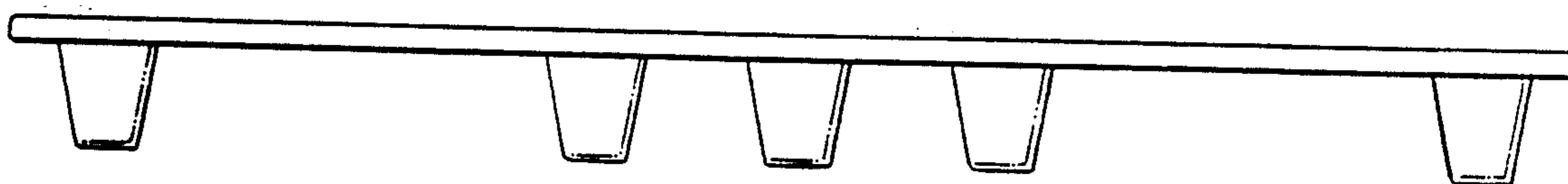


FIG. 4

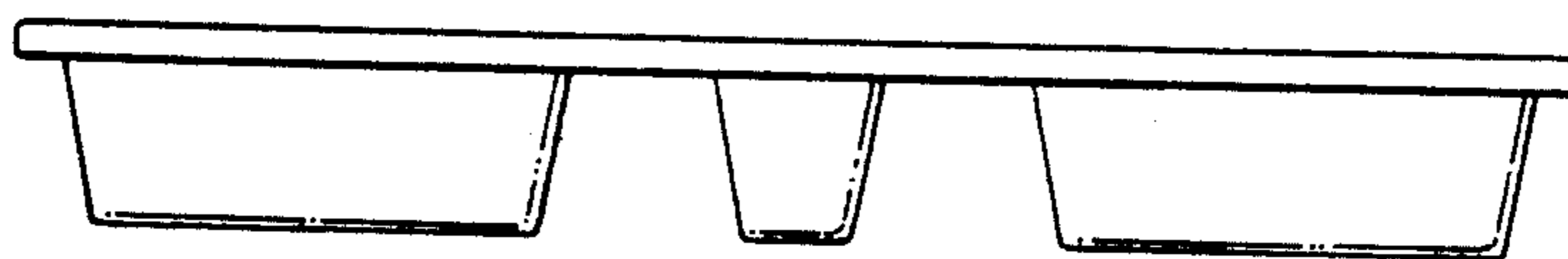


FIG. 5