

# United States Patent [19]

Krause et al.

[11] Patent Number: Des. 315,239

[45] Date of Patent: \*\* Mar. 5, 1991

[54] PALLET PULLER

[76] Inventors: Terry L. Krause; Garry L. Meyling,  
both of 2150 E. Fremont St.,  
Stockton, Calif. 95205

[\*\*] Term: 14 Years

[21] Appl. No.: 248,561

[22] Filed: Sep. 26, 1988

[52] U.S. Cl. .... D34/28

[58] Field of Search ..... D34/28, 38; 294/118,  
294/116, 104

[56] References Cited

### U.S. PATENT DOCUMENTS

3,743,342 7/1973 Kell ..... 294/116

4,262,952 4/1981 Bradley ..... 294/116  
4,869,540 9/1989 Faul ..... 294/118

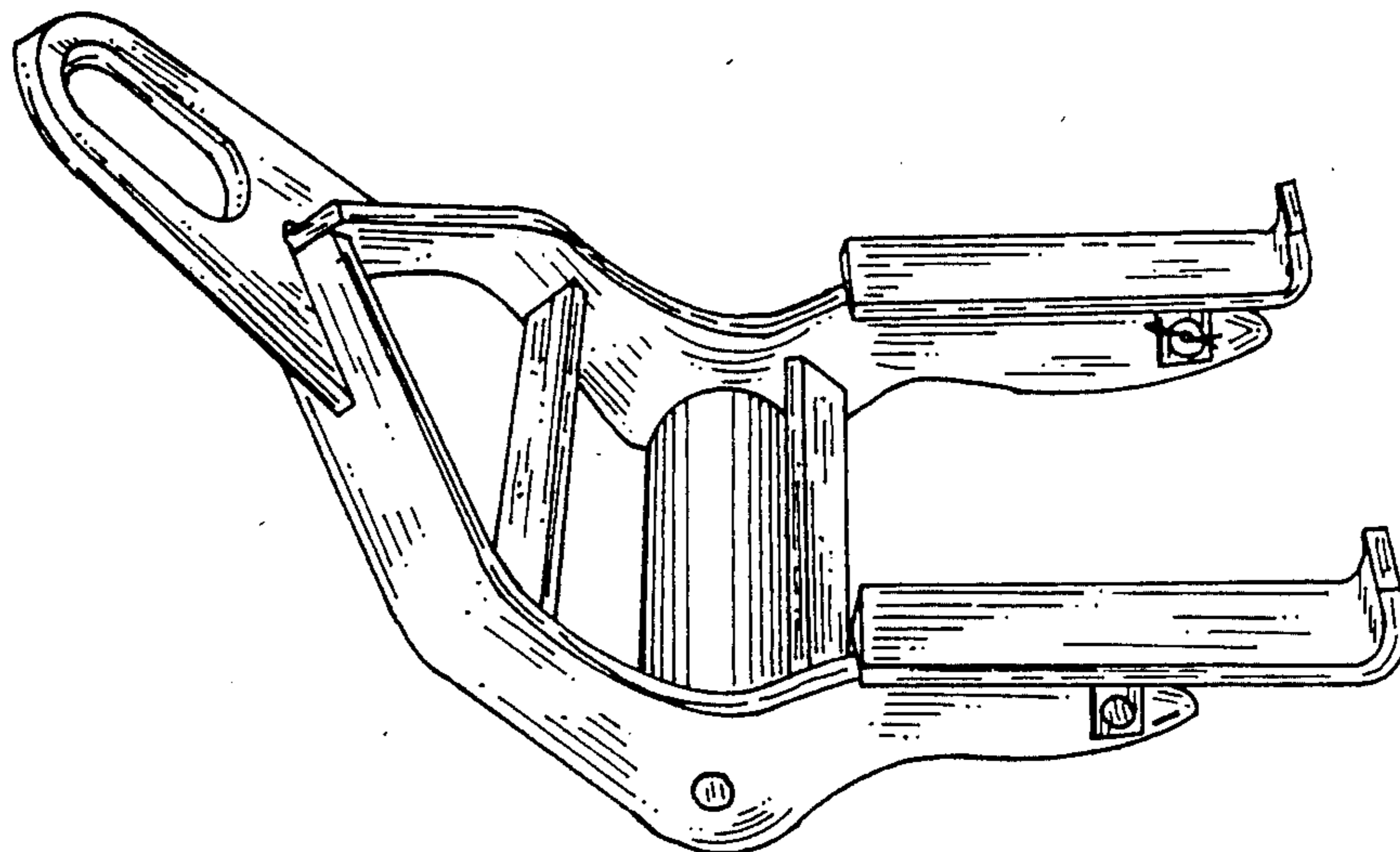
Primary Examiner—Kay H. Chin  
Attorney, Agent, or Firm—Basil B. Travis

[57] CLAIM

The ornamental design for a pallet puller, as shown and described.

### DESCRIPTION

FIG. 1 is a front elevational view of a pallet puller showing our new design;  
FIG. 2 is a top, rear and left side perspective view thereof;  
FIG. 3 is a top, rear and right side perspective view thereof; and  
FIG. 4 is a bottom perspective view thereof.



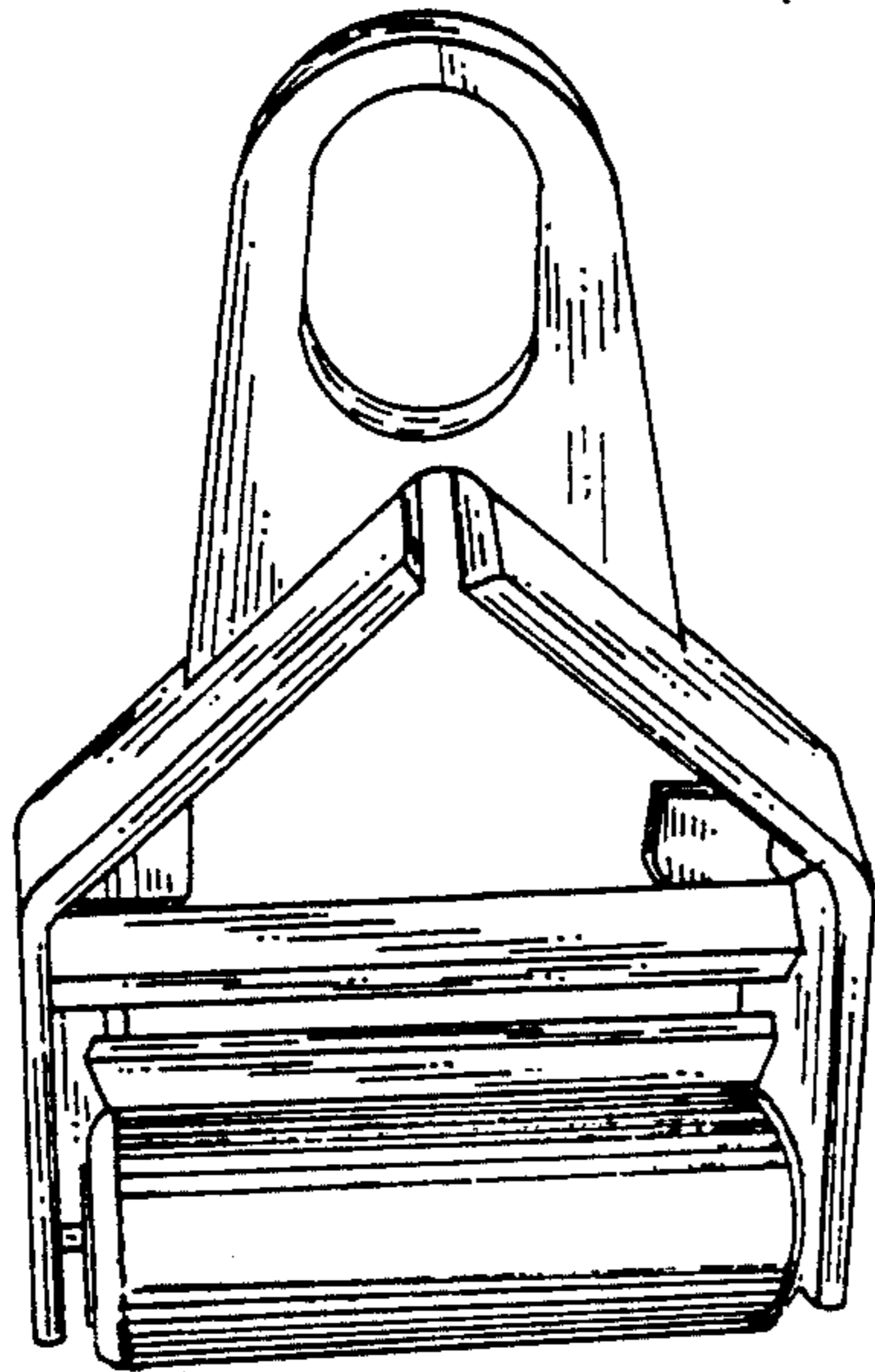


FIG. 1

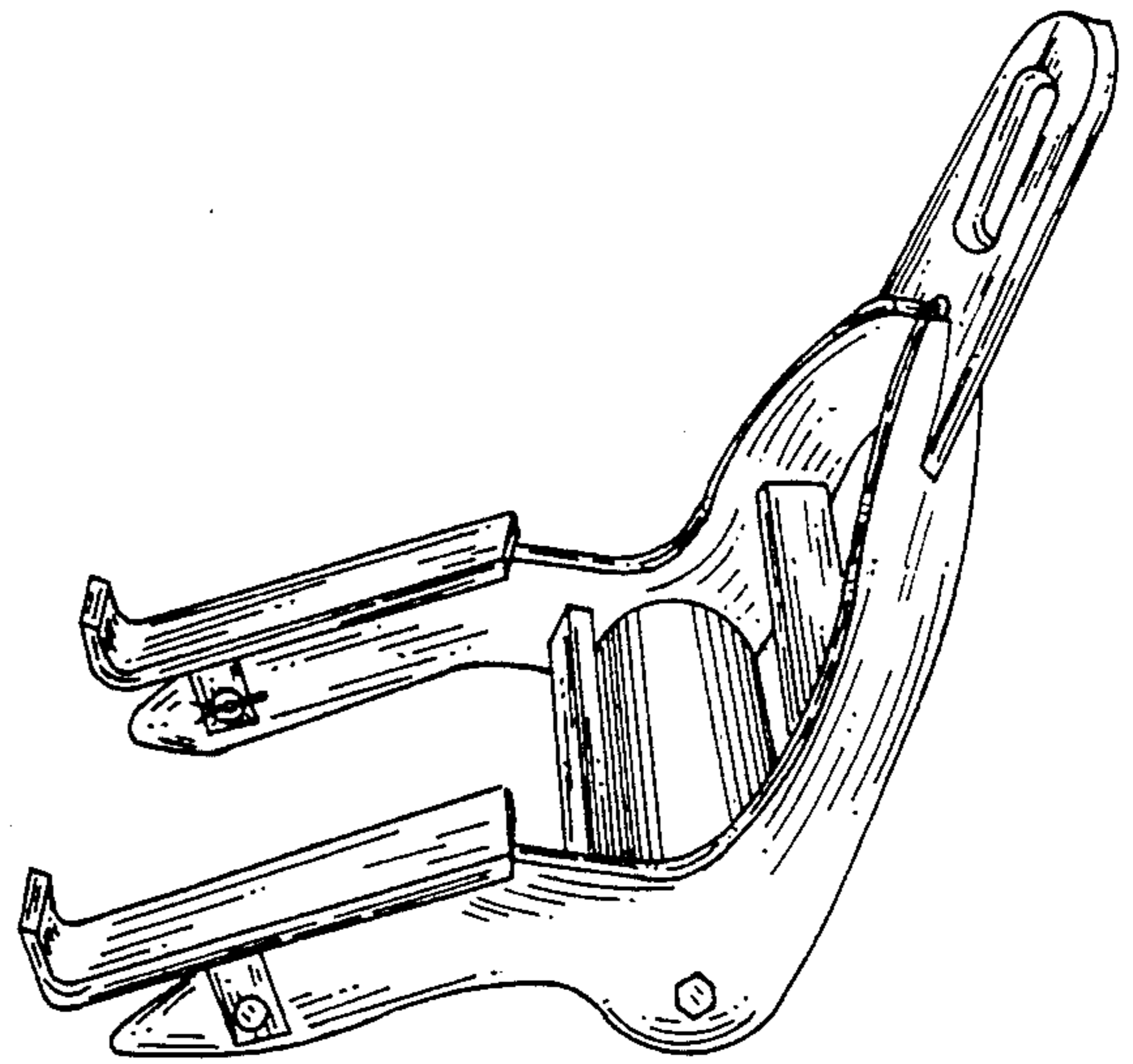


FIG. 2

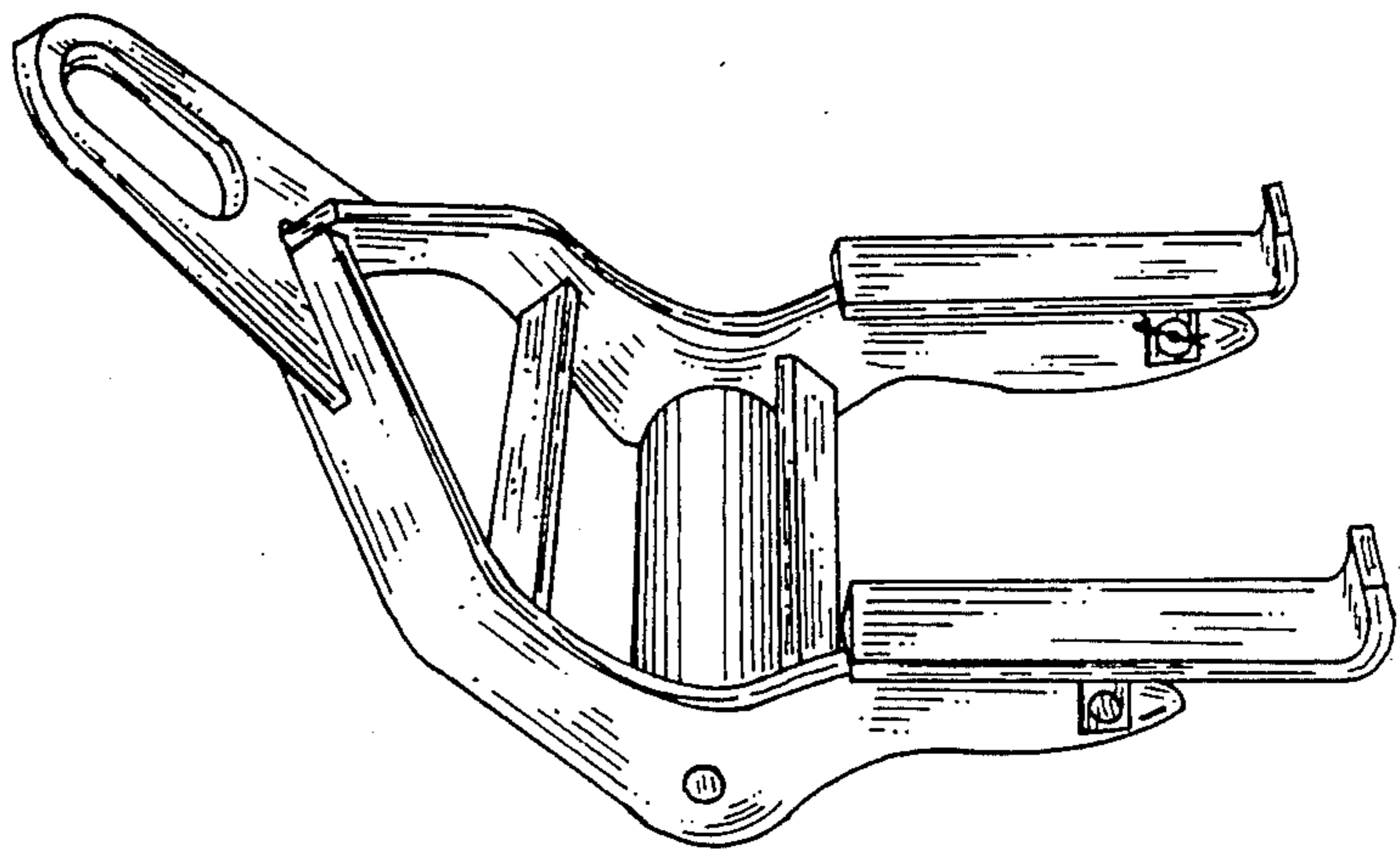


FIG. 3

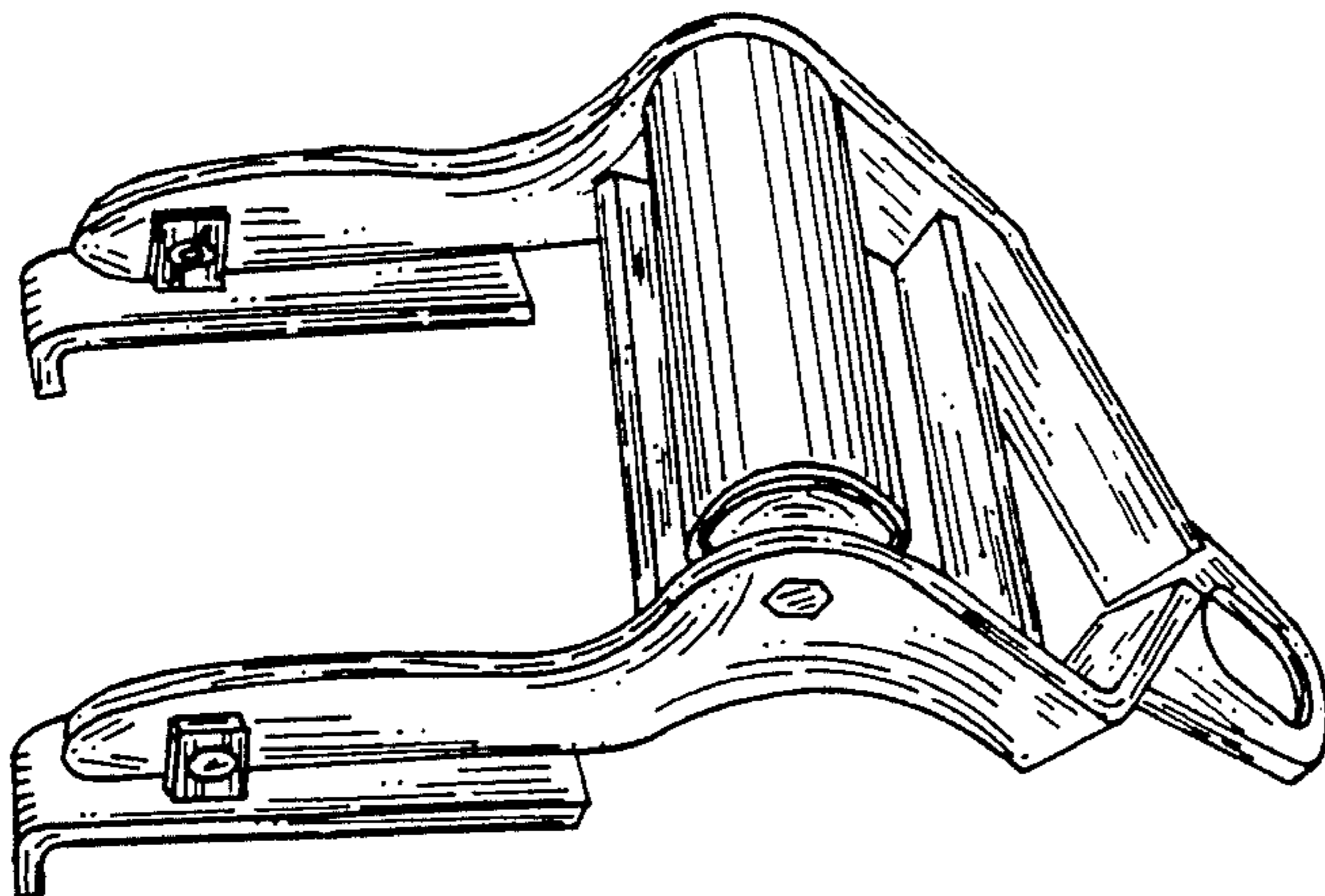


FIG. 4