

# United States Patent [19]

Stützer et al.

[11] Patent Number: **Des. 315,237**

[45] Date of Patent: **\*\* Mar. 5, 1991**

[54] **STEAM IRON**

[75] Inventors: **Franz A. Stützer**, Offenbach am Rhein; **Eduard Rohner**, Karlstein, both of Fed. Rep. of Germany

[73] Assignee: **Rowenta-Werke GmbH**, Offenbach am Main, Fed. Rep. of Germany

[\*\*] Term: **14 Years**

[21] Appl. No.: **407,764**

[22] Filed: **Sep. 14, 1989**

[30] **Foreign Application Priority Data**

Mar. 21, 1989 [DE] Fed. Rep. of Germany ... 8902194[U]

[52] U.S. Cl. .... **D32/70**

[58] Field of Search ..... **D32/68-73;**  
38/69-71, 74-75, 77.1-77.9, 79, 81, 82, 85, 88,  
90, 93; 219/245-259, 271-273

[56] **References Cited**

**U.S. PATENT DOCUMENTS**

- D. 285,376 8/1986 Stützer et al. .... D32/70
- D. 290,888 7/1987 Stützer et al. .... D32/70
- D. 291,130 7/1987 Brun ..... D32/70

D. 302,061 7/1989 Barrault ..... D32/70  
4,702,933 10/1987 Kramer ..... 219/245 X

*Primary Examiner*—Wallace R. Burke  
*Assistant Examiner*—Lavone D. Tabor  
*Attorney, Agent, or Firm*—Toren, McGeady & Associates

[57] **CLAIM**

The ornamental design for a steam iron, as shown and described.

**DESCRIPTION**

FIG. 1 is a front perspective view of a steam iron showing our new design;

FIG. 2 is a rear perspective view thereof;

FIG. 3 is a side elevational view thereof;

FIG. 4 is an elevational view of the opposite side thereof;

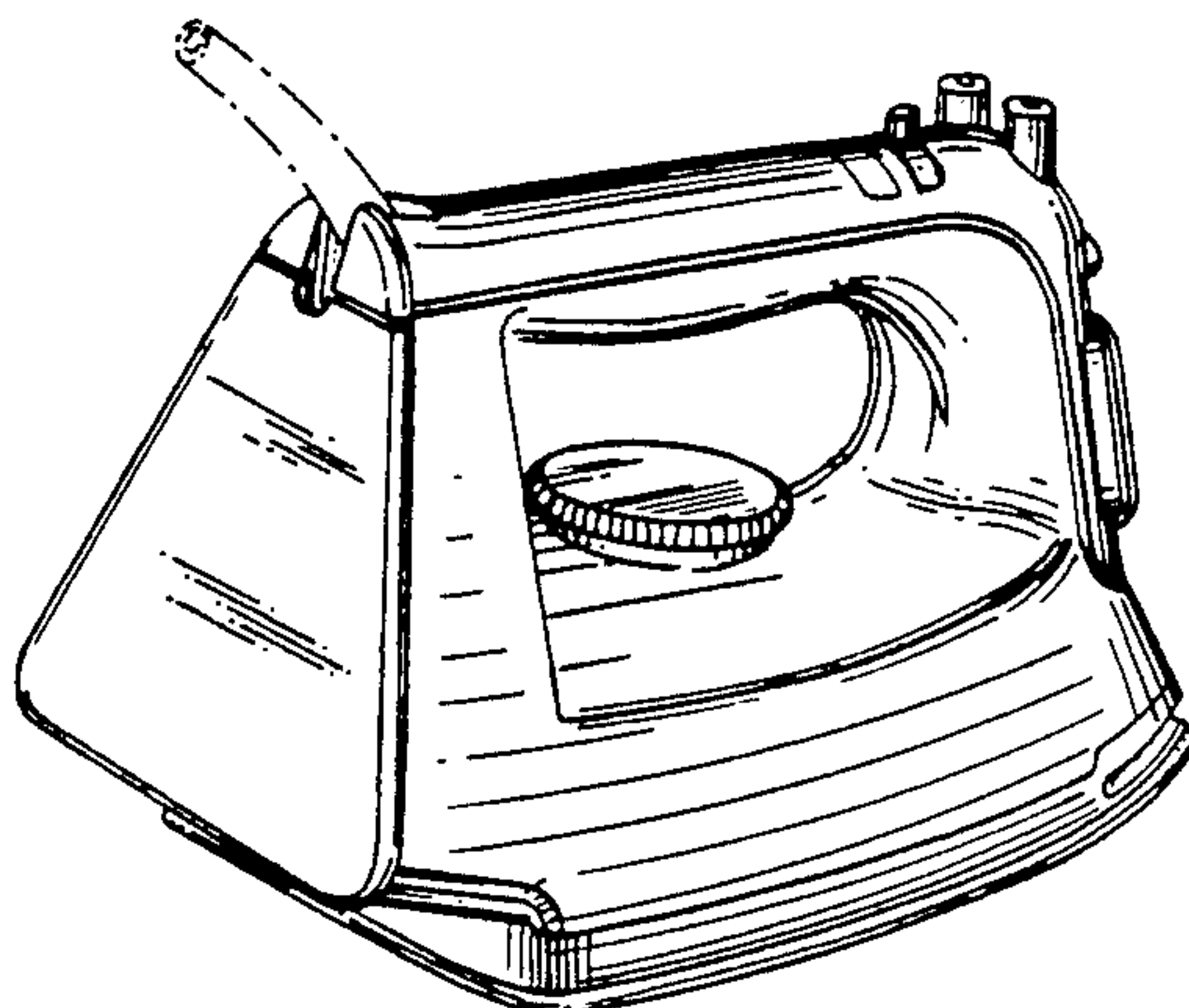
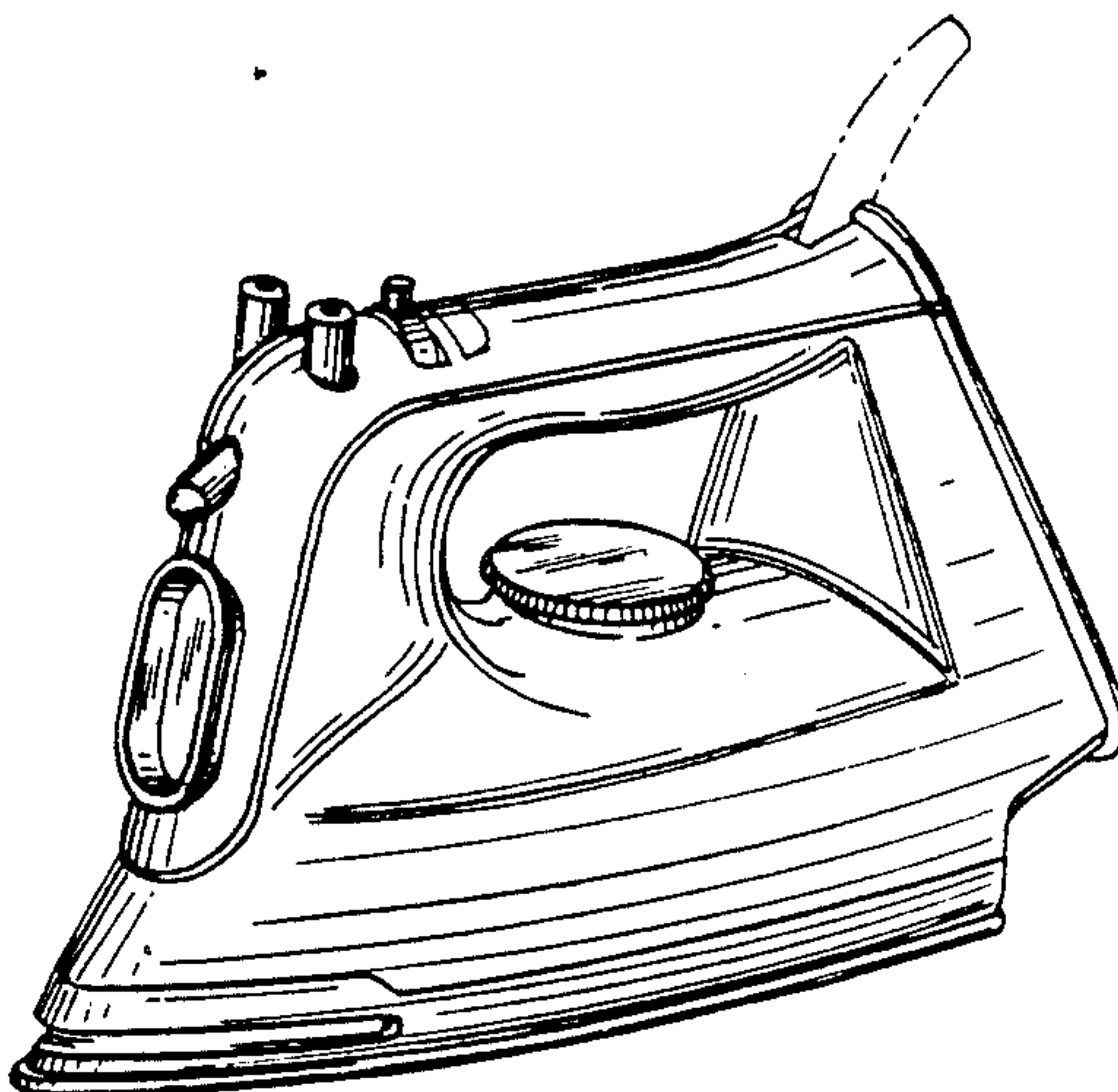
FIG. 5 is a front elevational view thereof;

FIG. 6 is a rear elevational view thereof;

FIG. 7 is a top plan view thereof; and

FIG. 8 is a bottom plan view thereof.

The broken line showing of a cord connector is for illustrative purposes only and forms no part of the claimed design.



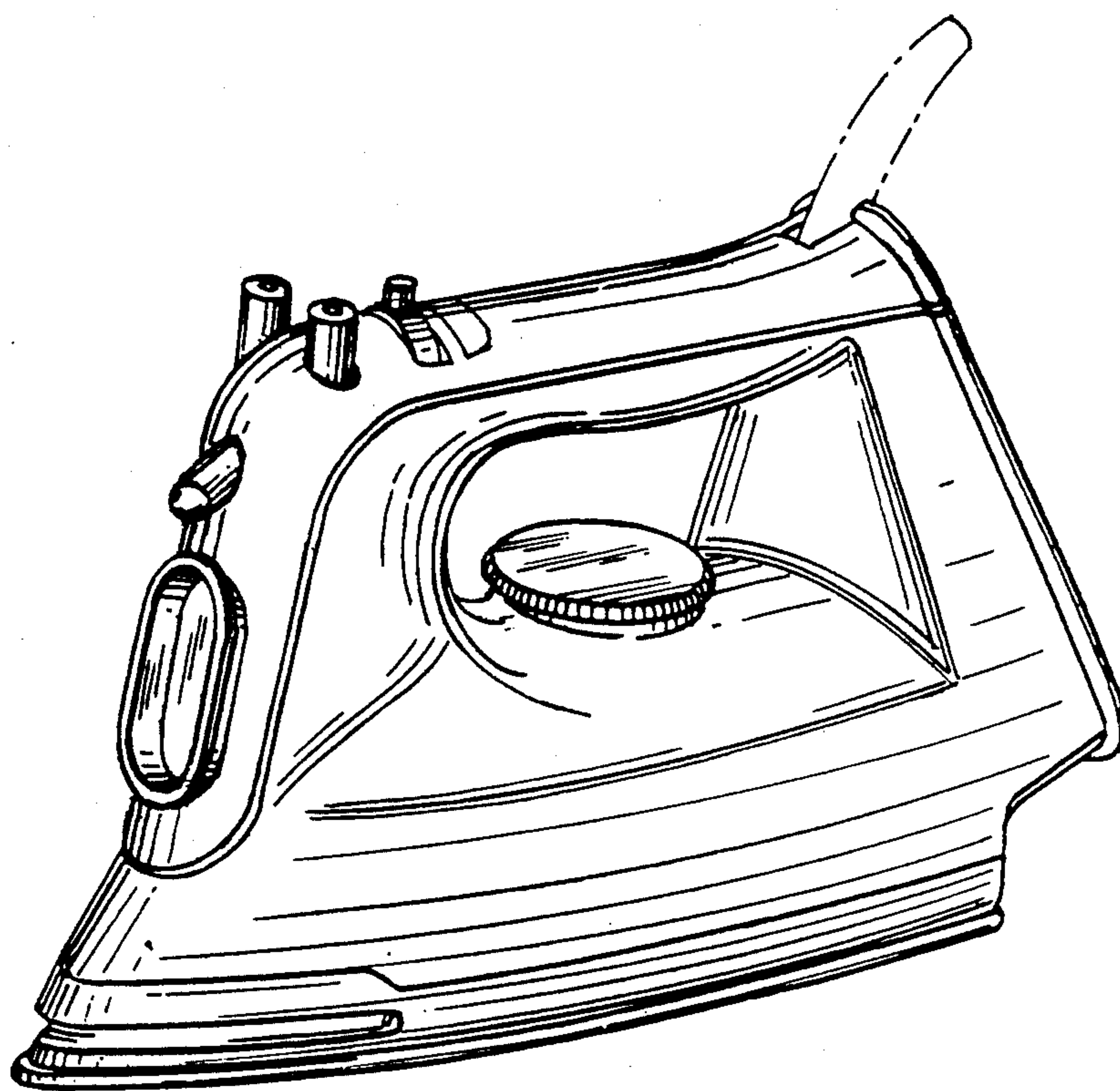


FIG. 1

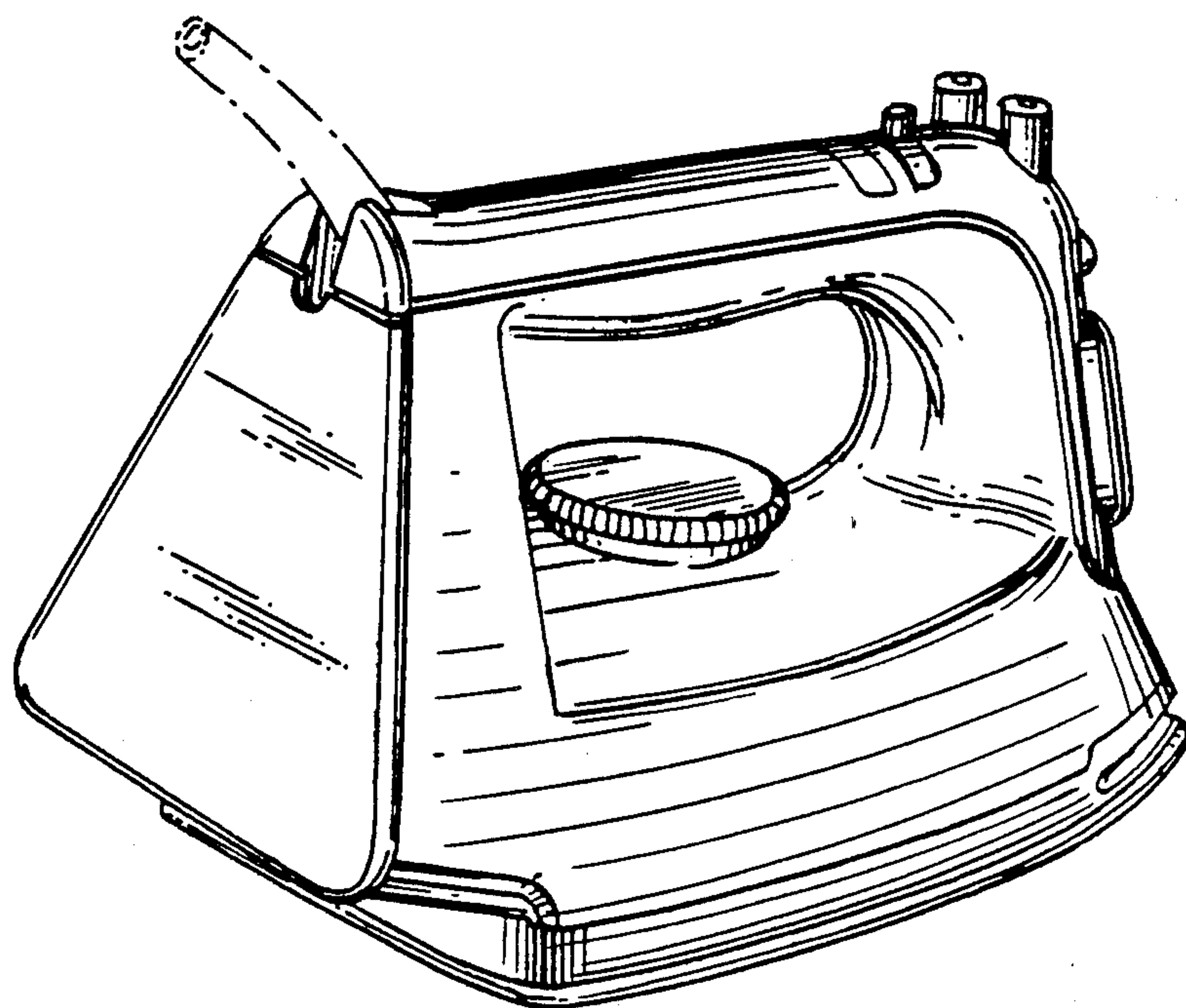


FIG. 2

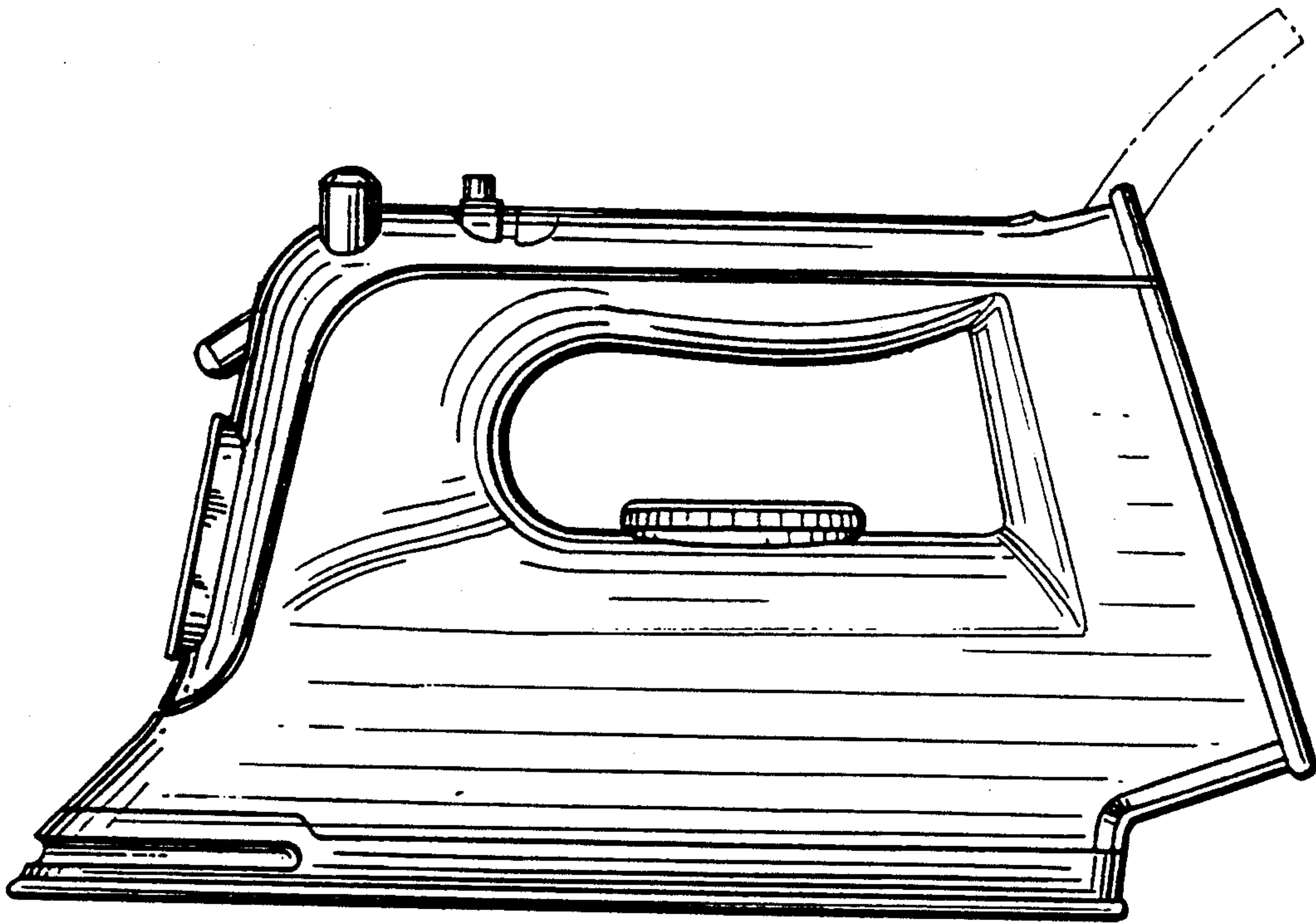


FIG. 3

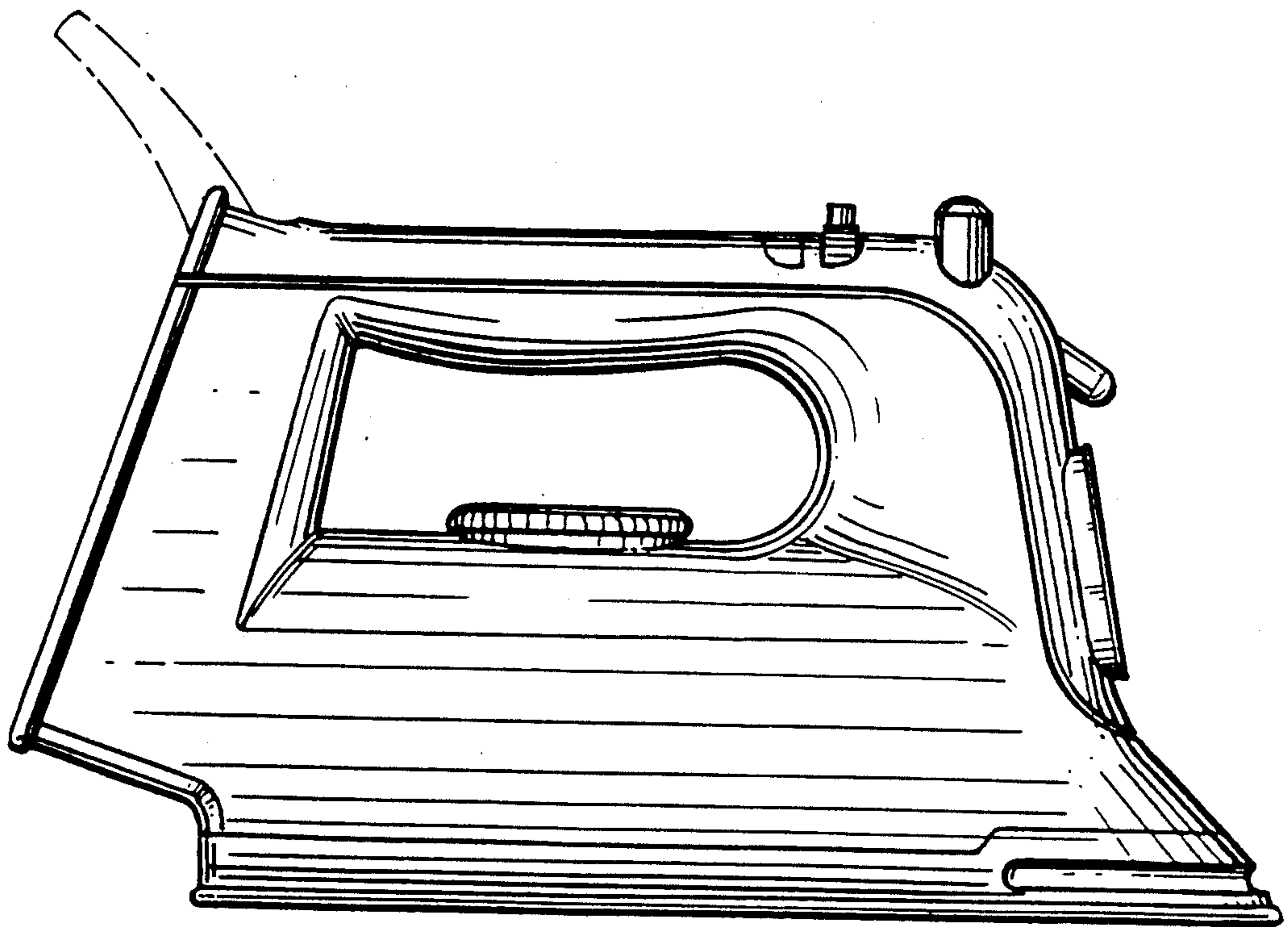


FIG. 4



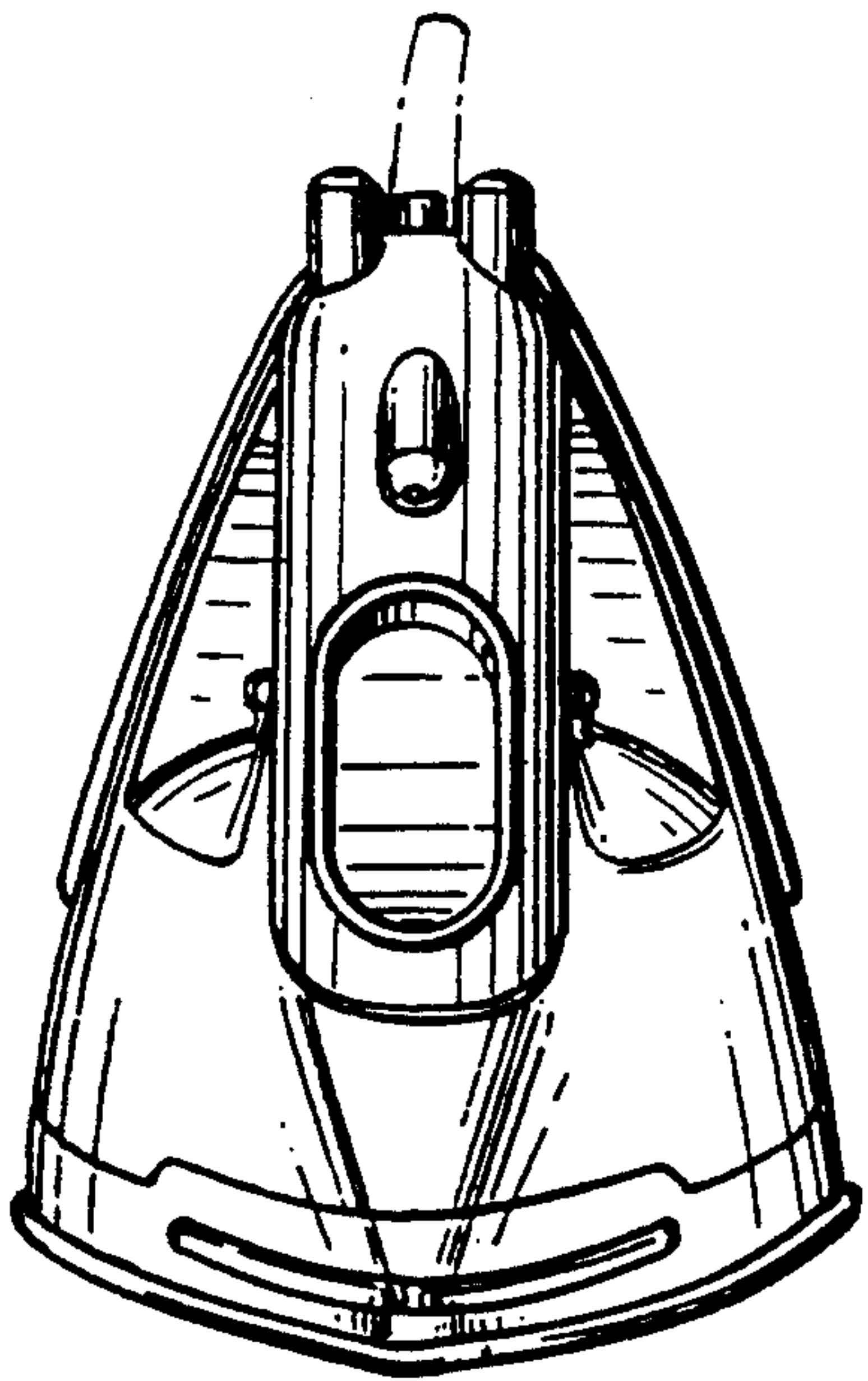


FIG. 5

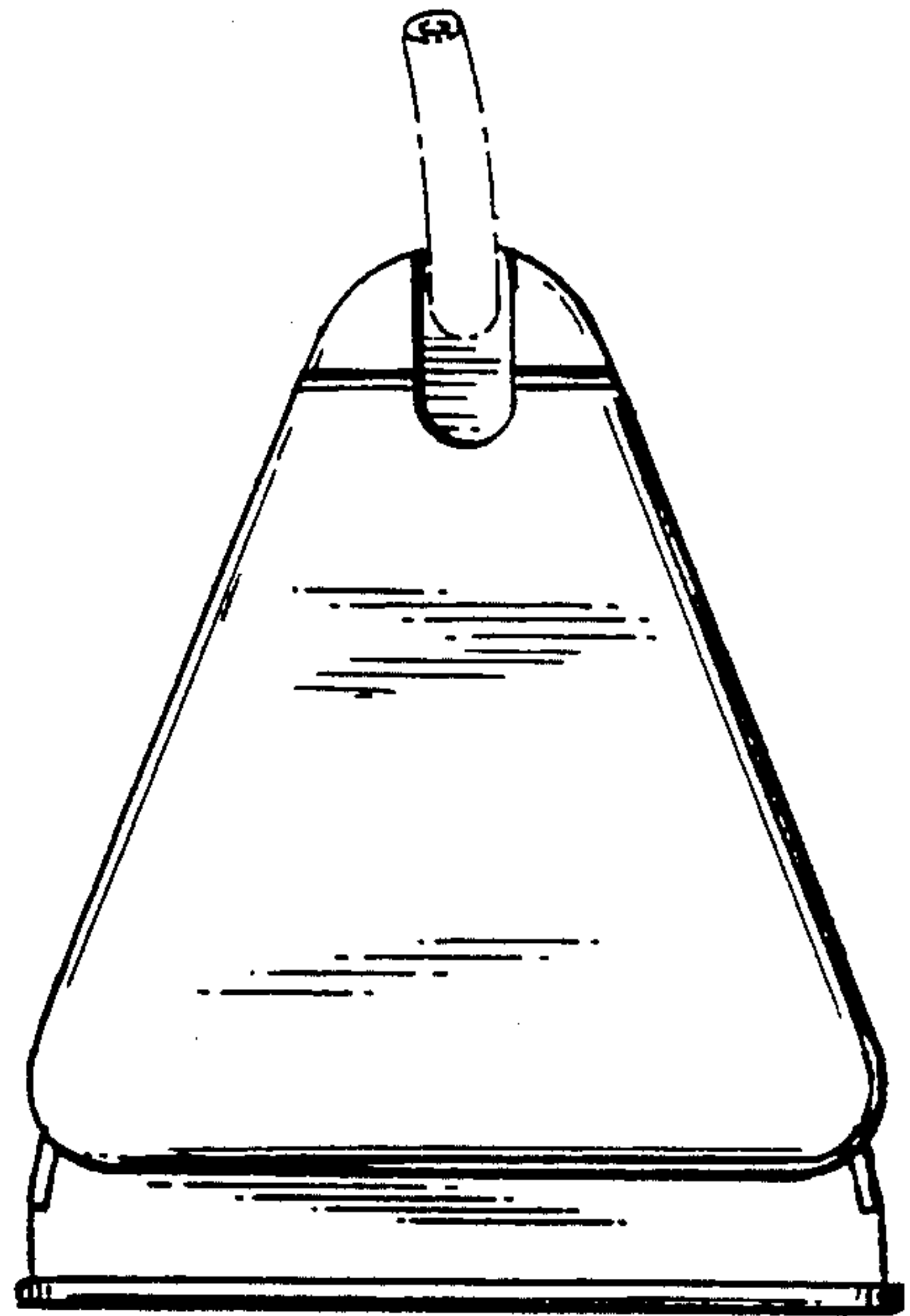


FIG. 6

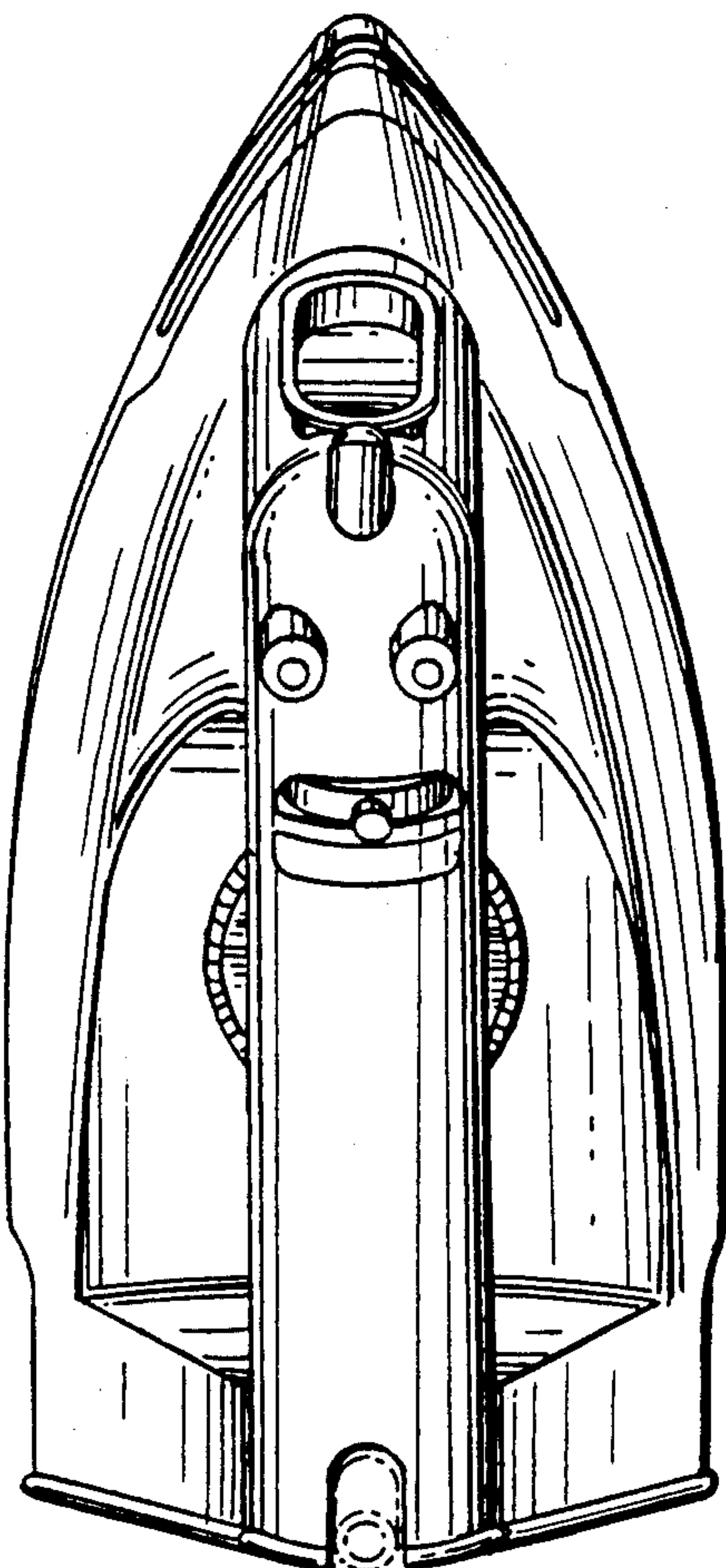


FIG. 7

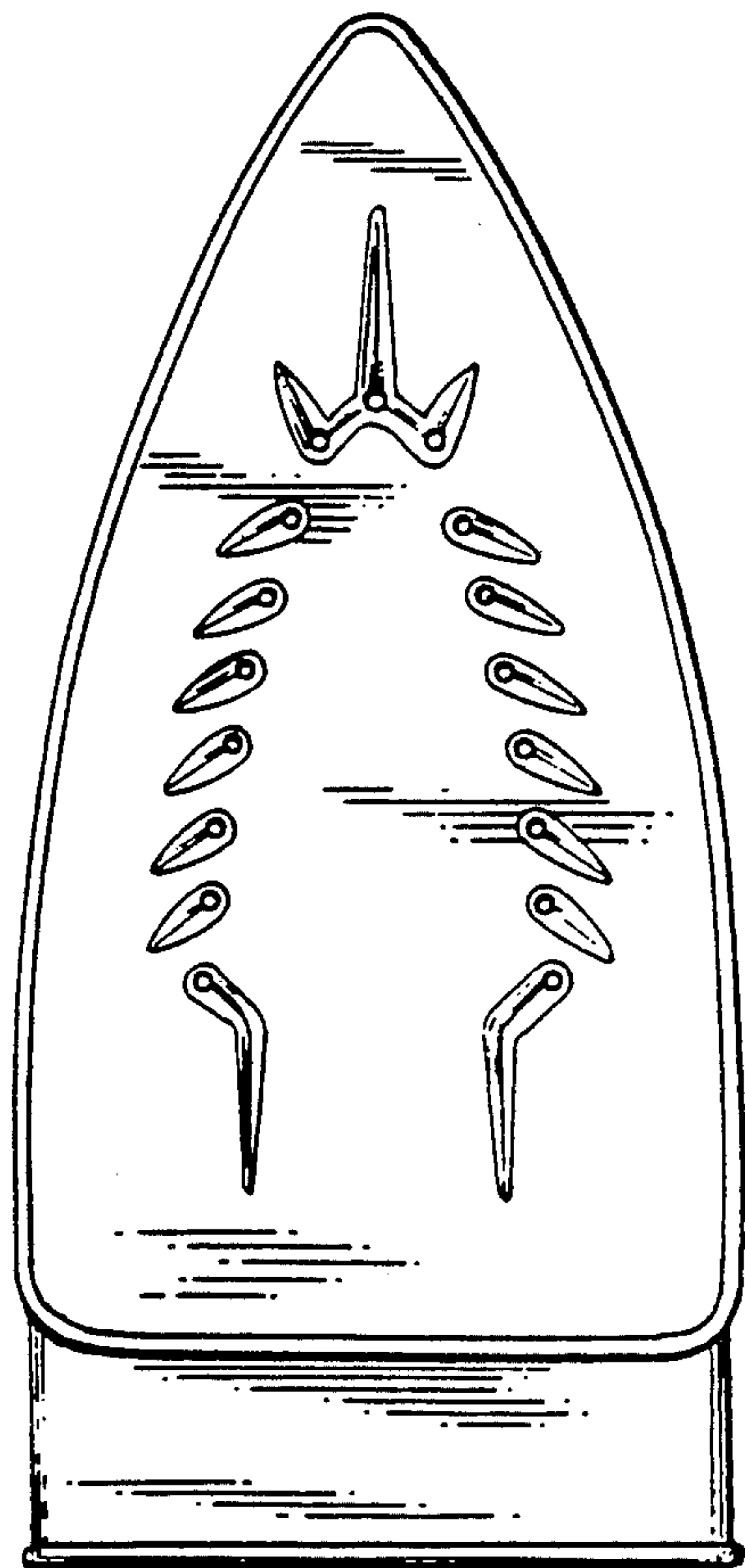


FIG. 8