

[54] HOUSING FOR VACUUM CLEANER MOTOR

[75] Inventors: Robert C. Berfield, Jersey Shore; Ronald Meland, Muncy, both of Pa.

[73] Assignee: Shop-Vac Corporation, Williamsport, Pa.

[**] Term: 14 Years

[21] Appl. No.: 924,504

[22] Filed: Oct. 29, 1986

[52] U.S. Cl. D32/31

[58] Field of Search D32/1, 15-16, D32/21, 23, 25; 15/327 R, 327 F, 327 D, 320, 321; 417/410, 423.2

[56] References Cited

U.S. PATENT DOCUMENTS

D. 184,786 3/1959 Welch et al. D32/21

D. 243,574 3/1977 Bartlett D32/23
D. 287,171 12/1986 Berfield et al. D32/25
D. 294,879 3/1988 Berfield et al. D32/31
D. 296,945 7/1988 Erickson, Jr. D32/23

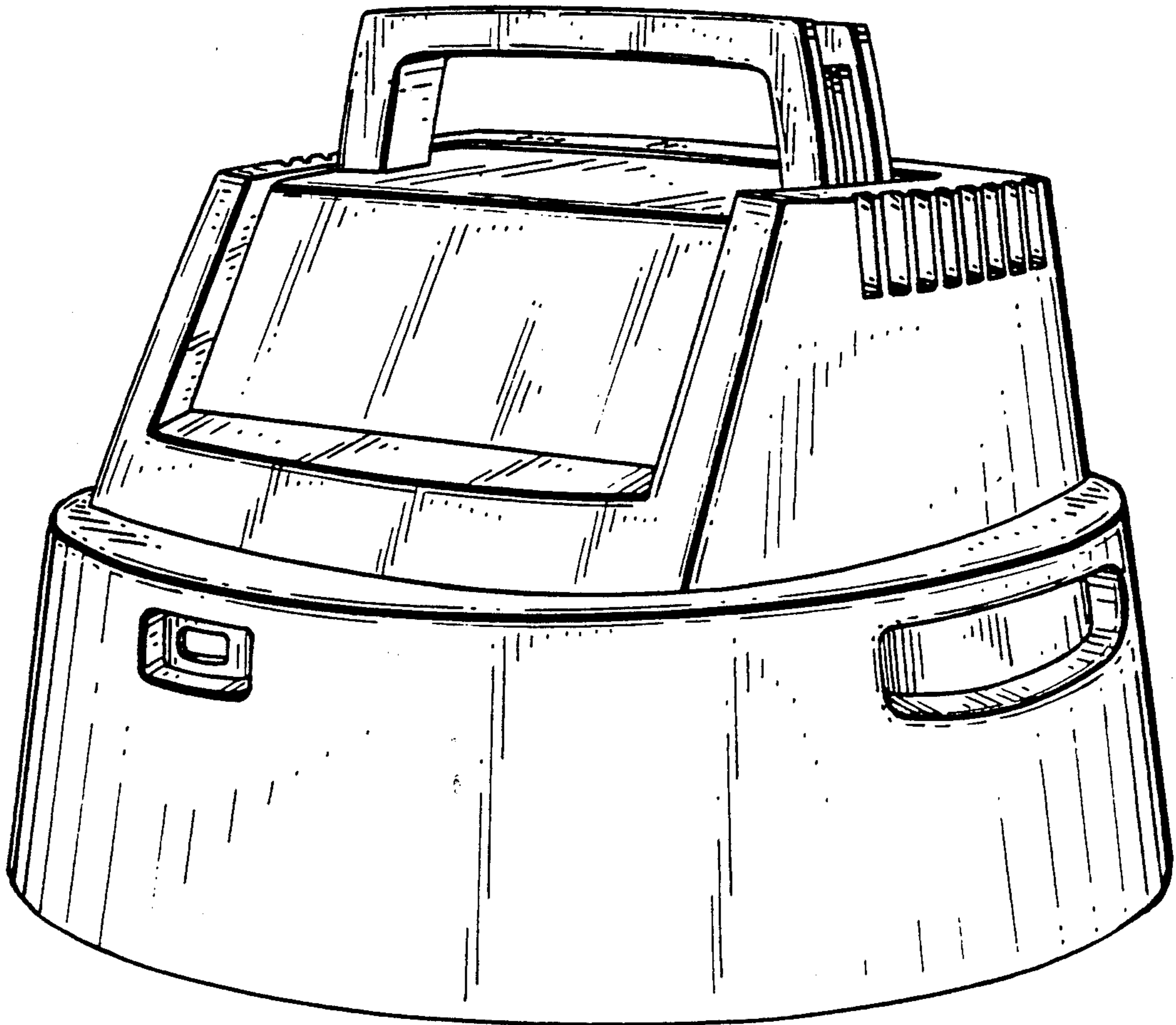
Primary Examiner—A. Hugo Word
Assistant Examiner—Ruth McInroy
Attorney, Agent, or Firm—Ostrolenk, Faber, Gerb & Soffen

[57] CLAIM

The ornamental design for a housing for vacuum cleaner motor, as shown and described.

DESCRIPTION

FIG. 1 is a front perspective view of a housing for vacuum cleaner motor showing our new design; FIG. 2 is a top plan view thereof; FIG. 3 is a right side elevational view thereof; FIG. 4 is a left side elevational view thereof; FIG. 5 is a front elevational view thereof; and FIG. 6 is a rear elevational view thereof.



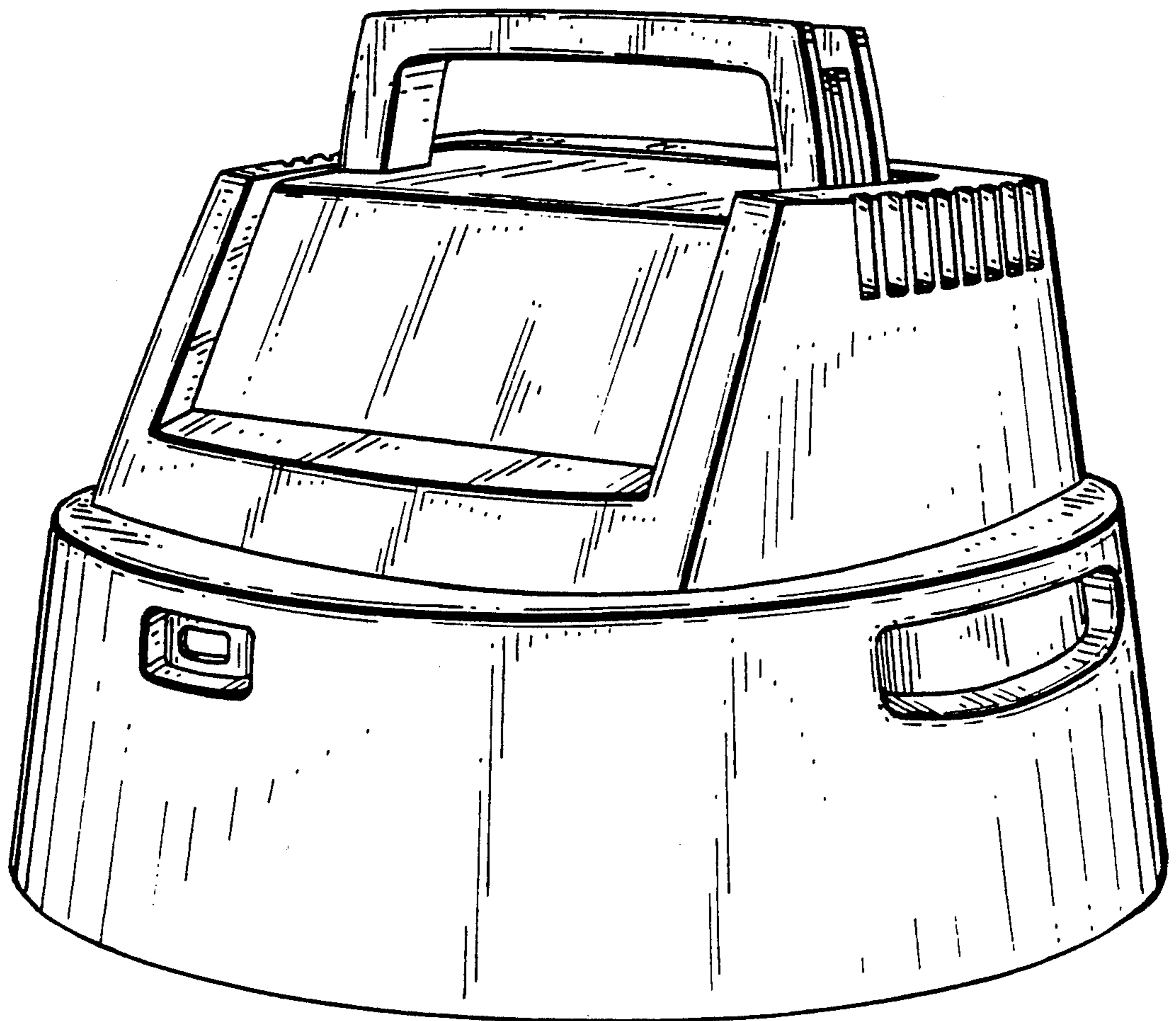


FIG. 1.

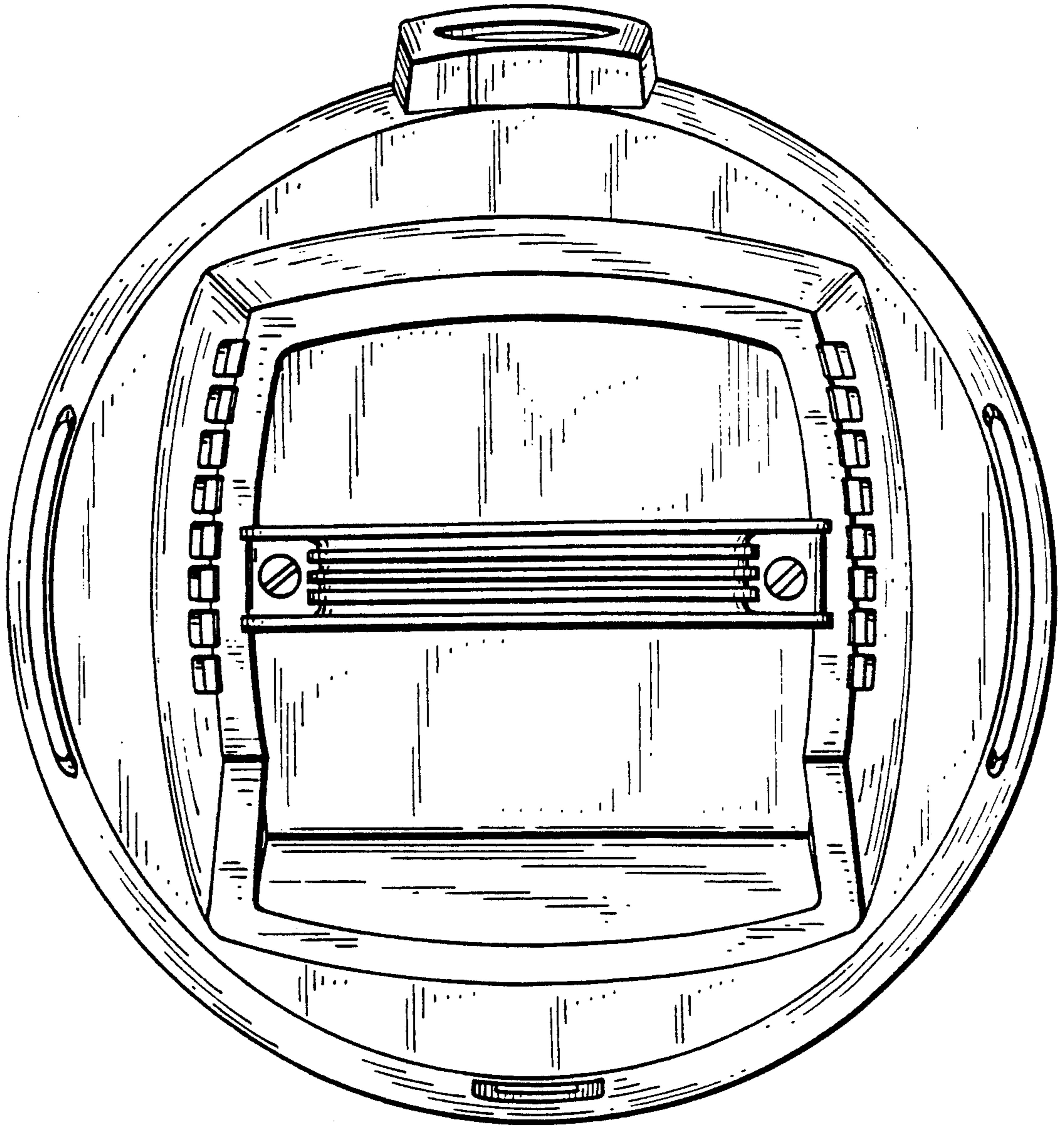


FIG. 2.

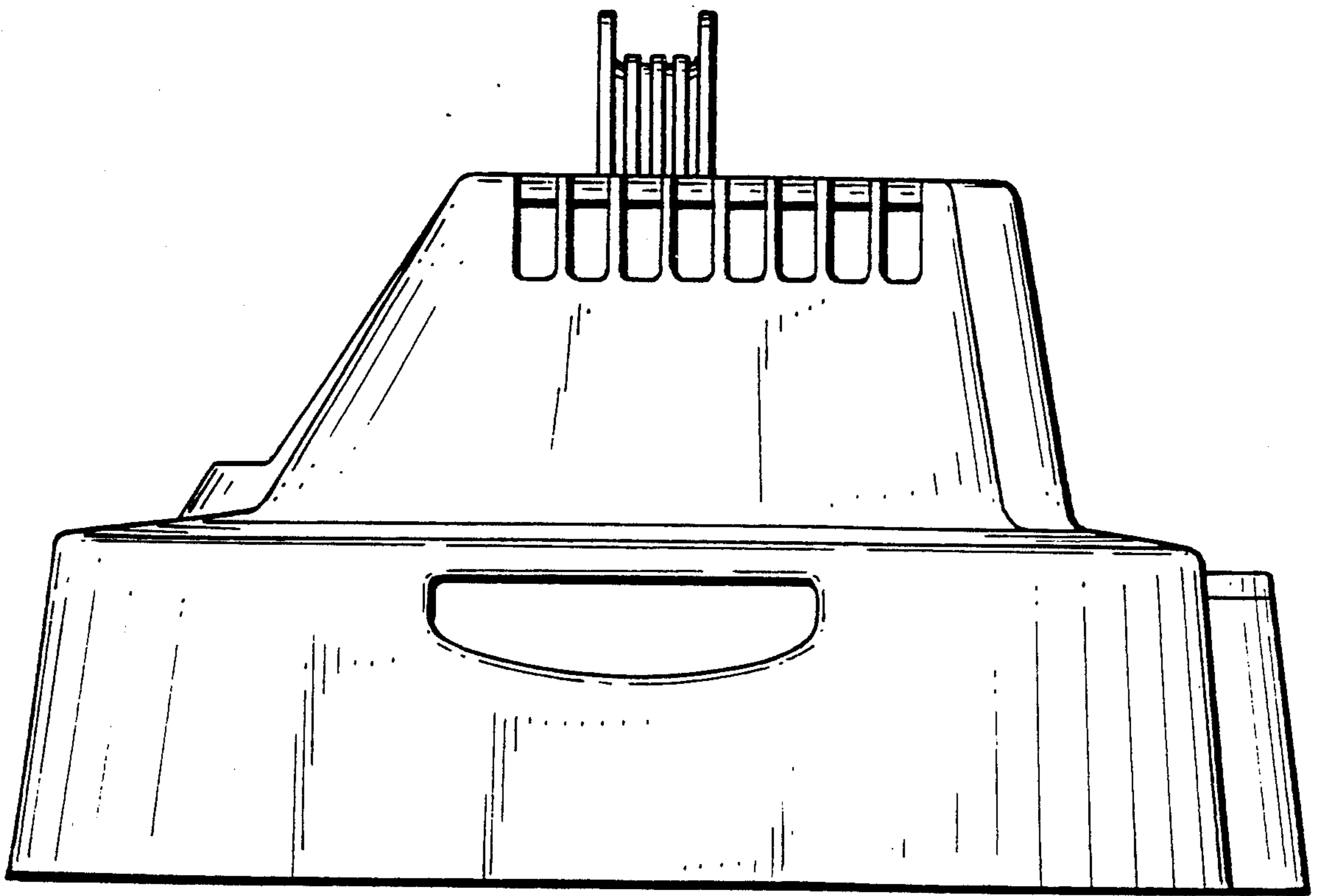


FIG. 3.

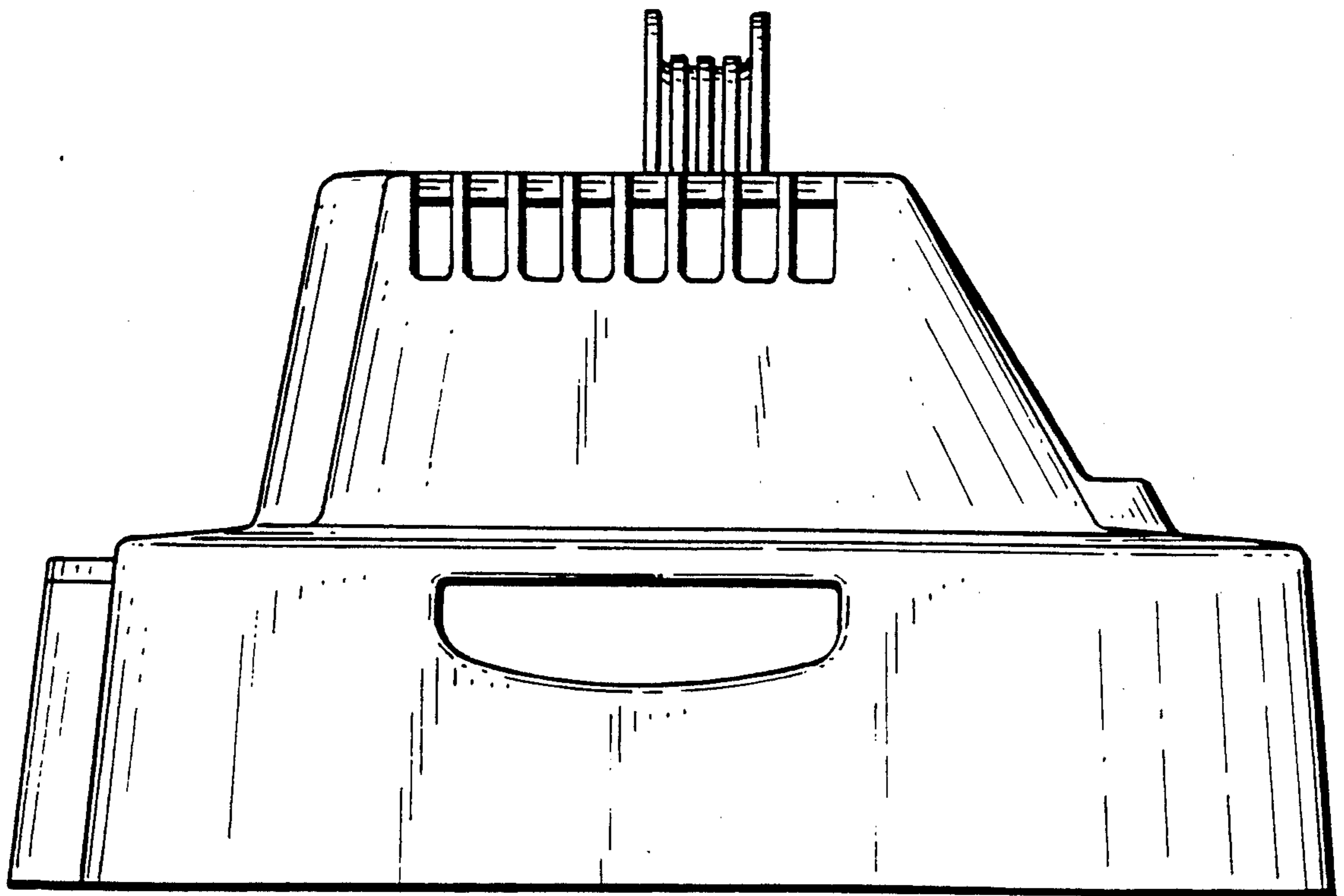


FIG. 4.

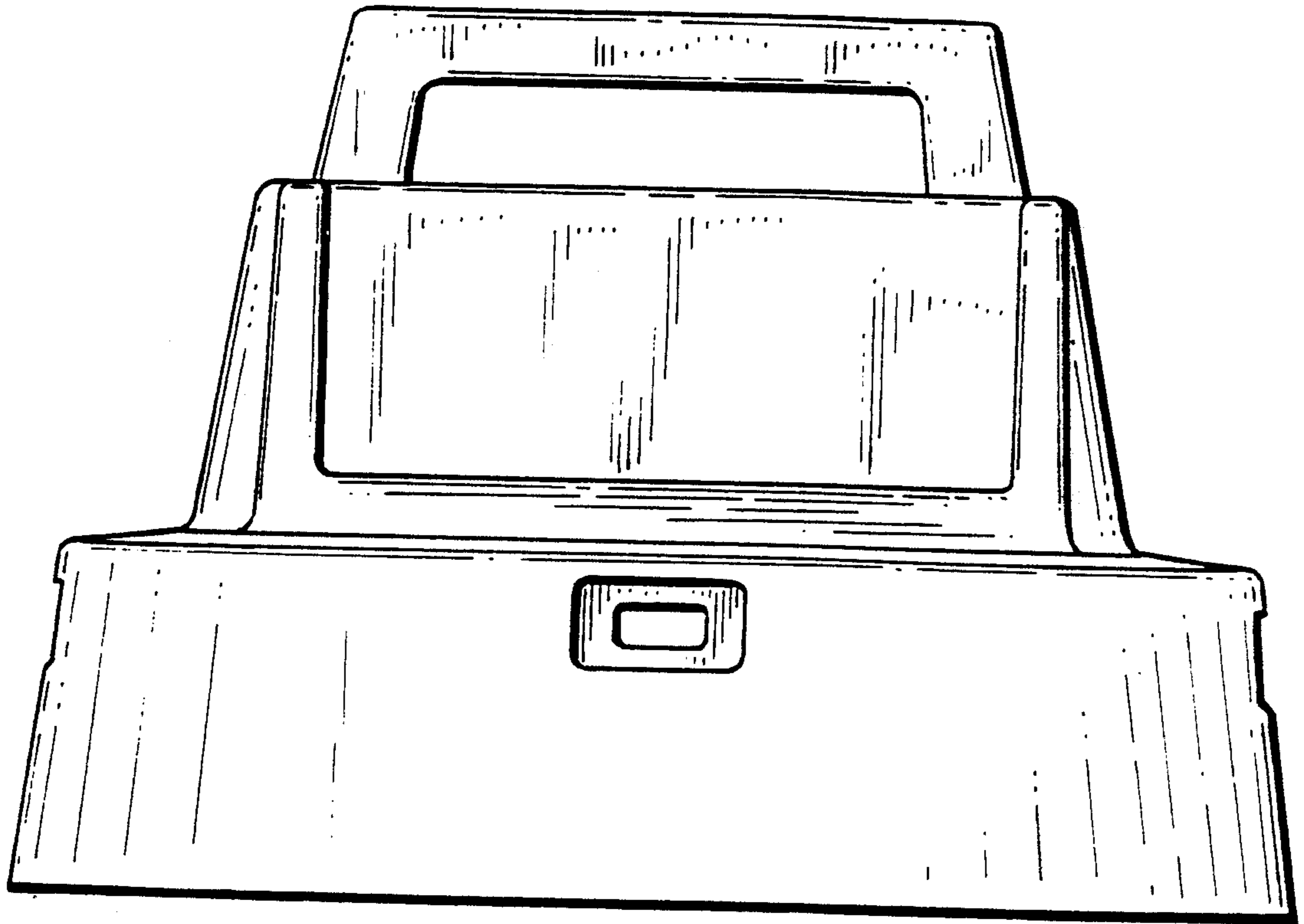


FIG. 5.

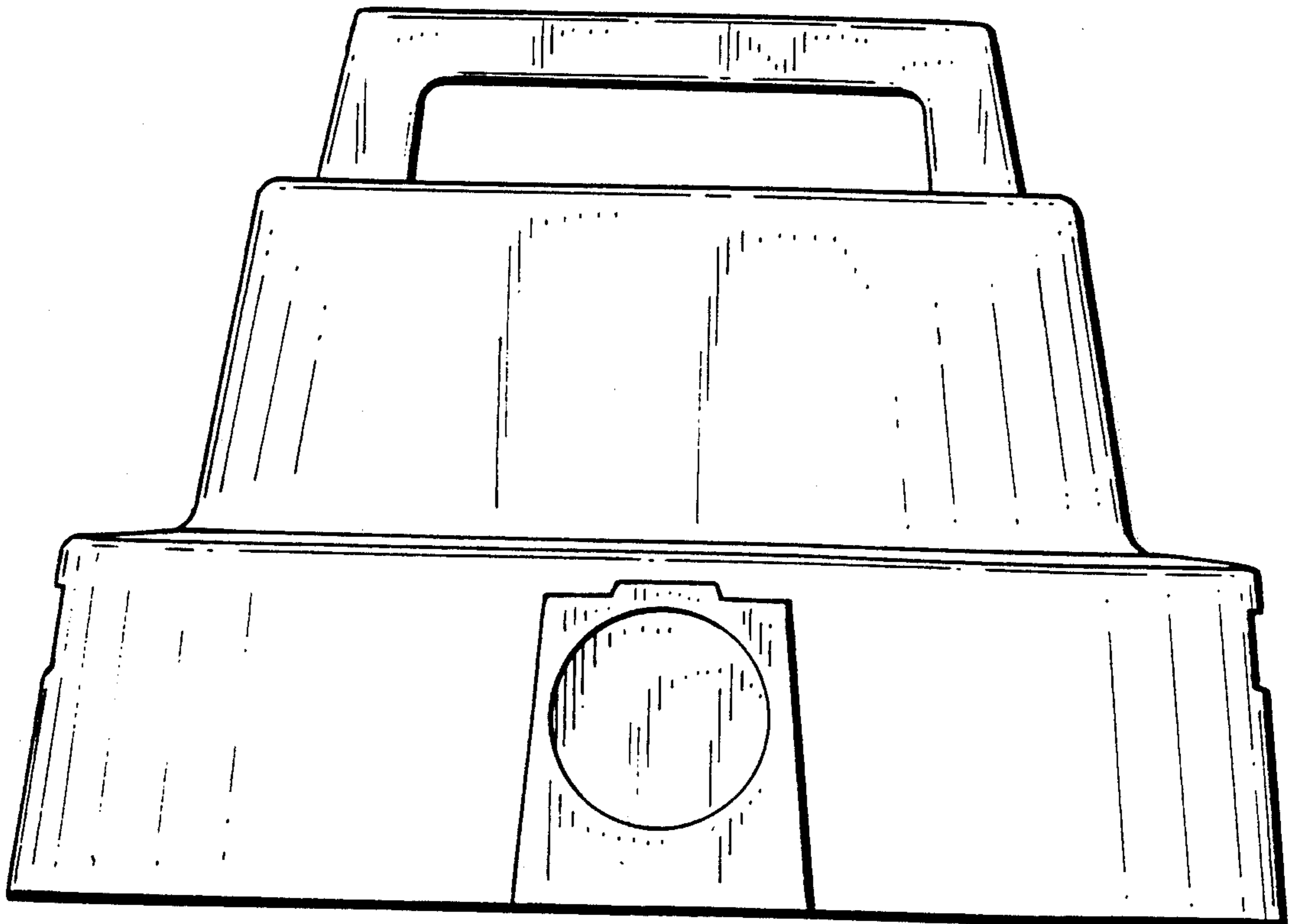


FIG. 6.