

United States Patent [19]

Klingspor et al.

[11] Patent Number: Des. 315,233

[45] Date of Patent: ** Mar. 5, 1991

[54] VACUUM CLEANER

[75] Inventors: Christian S. Klingspor, Djursholm;
Bror R. L. Sanderud, Stockholm,
both of Sweden

[73] Assignee: Aktiebolaget Electrolux, Stockholm,
Sweden

[**] Term: 14 Years

[21] Appl. No.: 230,200

[22] Filed: Aug. 9, 1988

[30] Foreign Application Priority Data

Feb. 9, 1988 [SE] Sweden 88-0293

[52] U.S. Cl. D32/21

[58] Field of Search D32/21, 23-24;
15/327 R, 327 B, 327 D, 327 E, 327 F, 412,
301-302, 314-315, 320-323, 352-353

[56] References Cited

U.S. PATENT DOCUMENTS

D. 246,107 10/1977 Yoshida et al. D32/21
D. 279,614 7/1985 Essex D32/21
D. 280,143 8/1985 Berfield et al. D32/21
D. 289,213 4/1987 Perkins D32/24

D. 290,896 7/1987 Kim D32/24
D. 292,833 11/1987 Busalt D32/24
D. 296,944 7/1988 Yamamoto et al. D32/21
D. 297,475 8/1988 Umehara et al. D32/21
D. 297,871 9/1988 Slany et al. D32/21

Primary Examiner—A. Hugo Word
Assistant Examiner—Doris V. Coles
Attorney, Agent, or Firm—Pearne, Gordon, McCoy &
Granger

[57] CLAIM

The ornamental design for a vacuum cleaner, as shown
and described.

DESCRIPTION

FIG. 1 is a top, front and right side perspective view of
a vacuum cleaner showing our new design;

FIG. 2 is a top, rear and left side perspective view
thereof;

FIG. 3 is a bottom, front and left side perspective view
thereof;

FIG. 4 is a top plan view thereof;

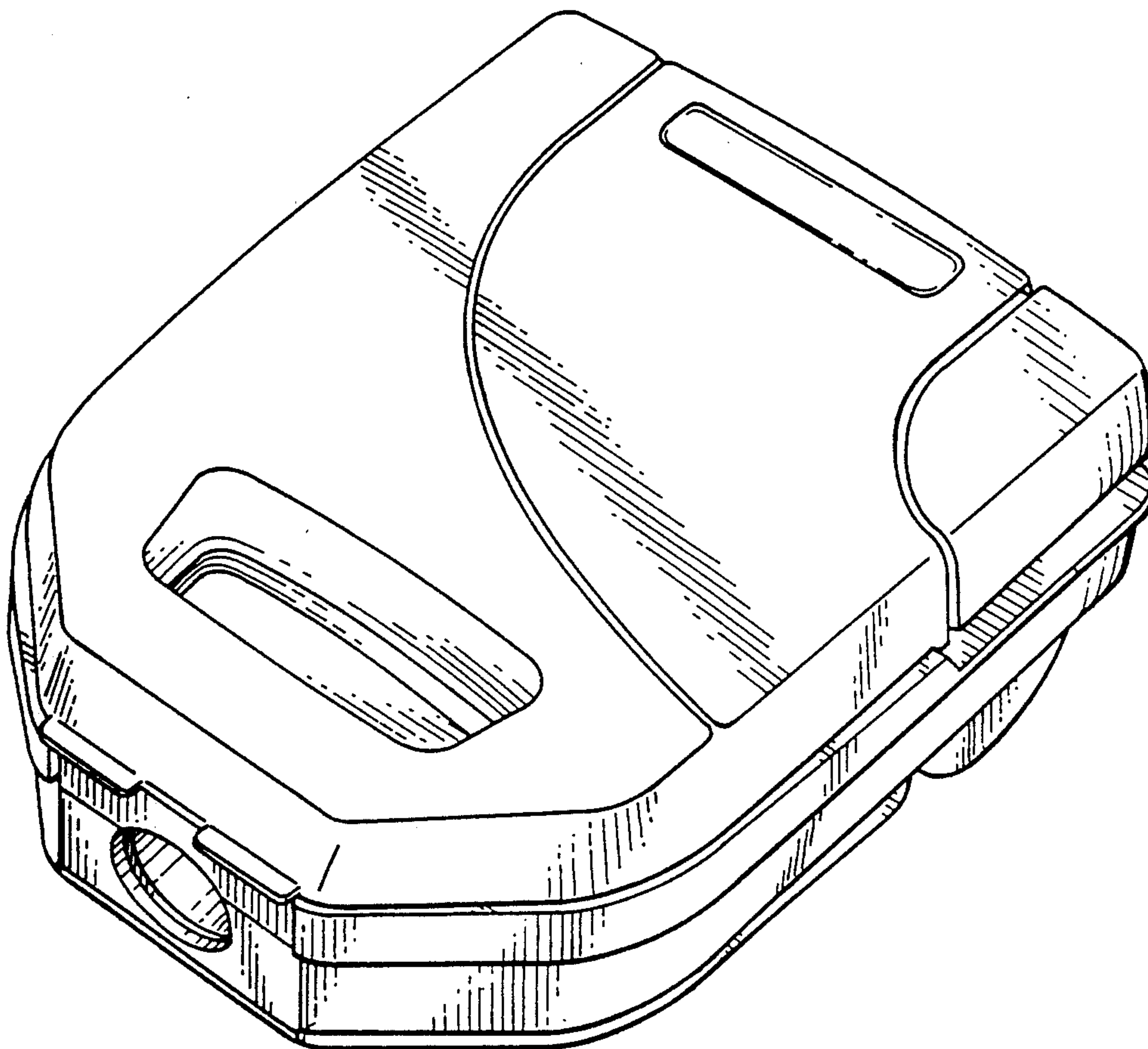
FIG. 5 is a bottom plan view thereof;

FIG. 6 is a right side elevational view thereof;

FIG. 7 is a left side elevational view thereof;

FIG. 8 is a rear elevational view thereof; and

FIG. 9 is a front elevational view thereof.



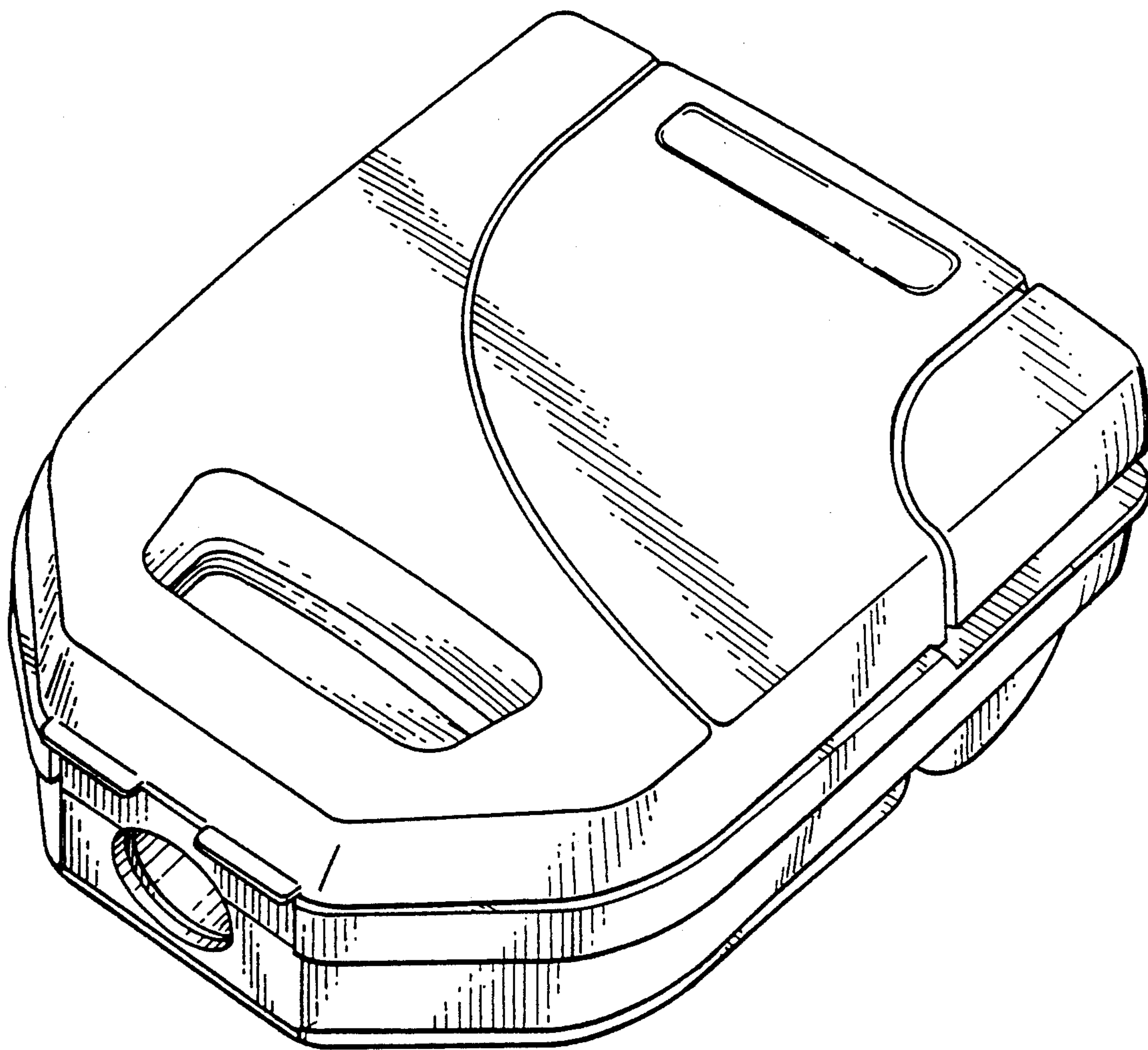


FIG. 1

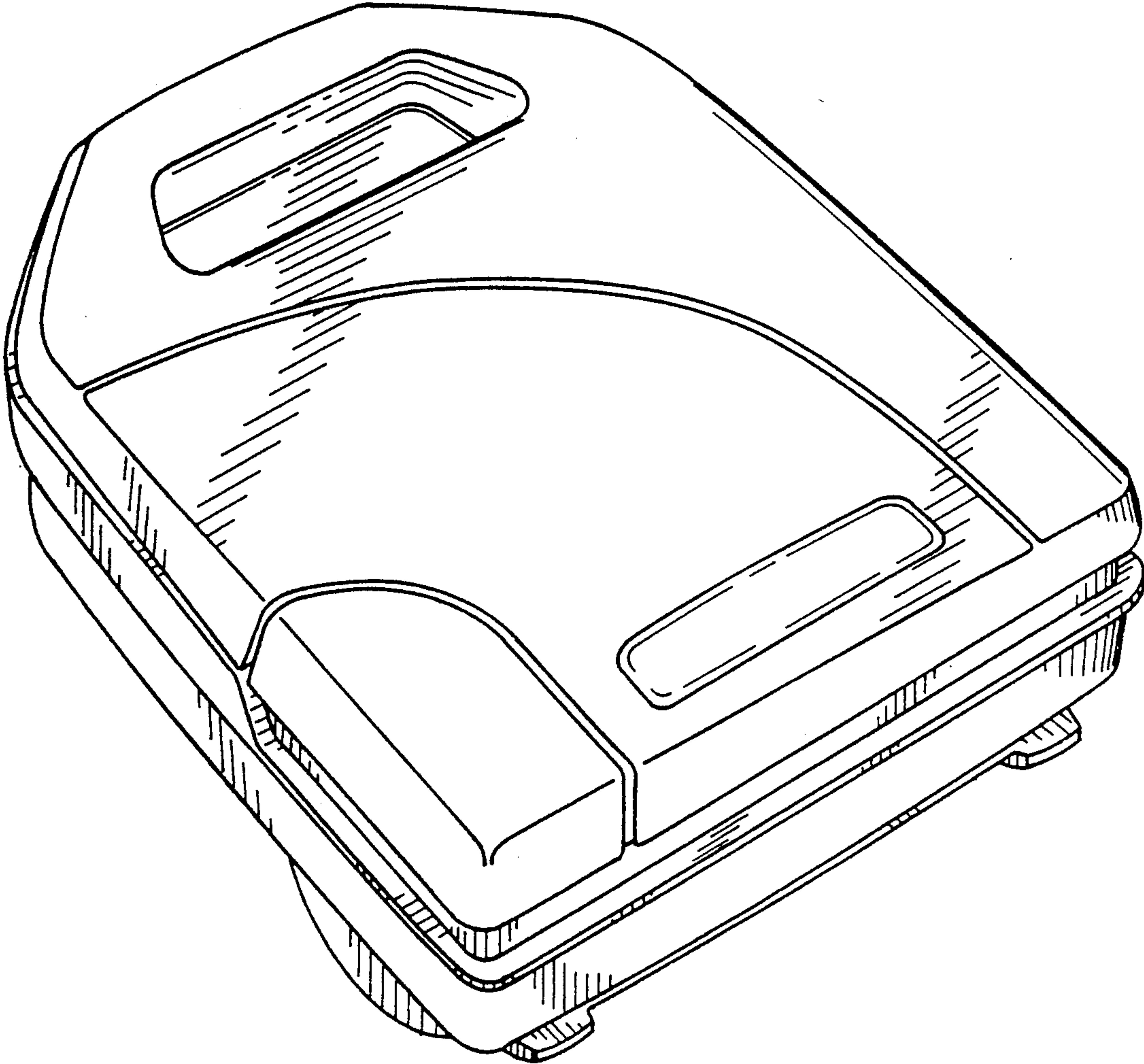


FIG. 2

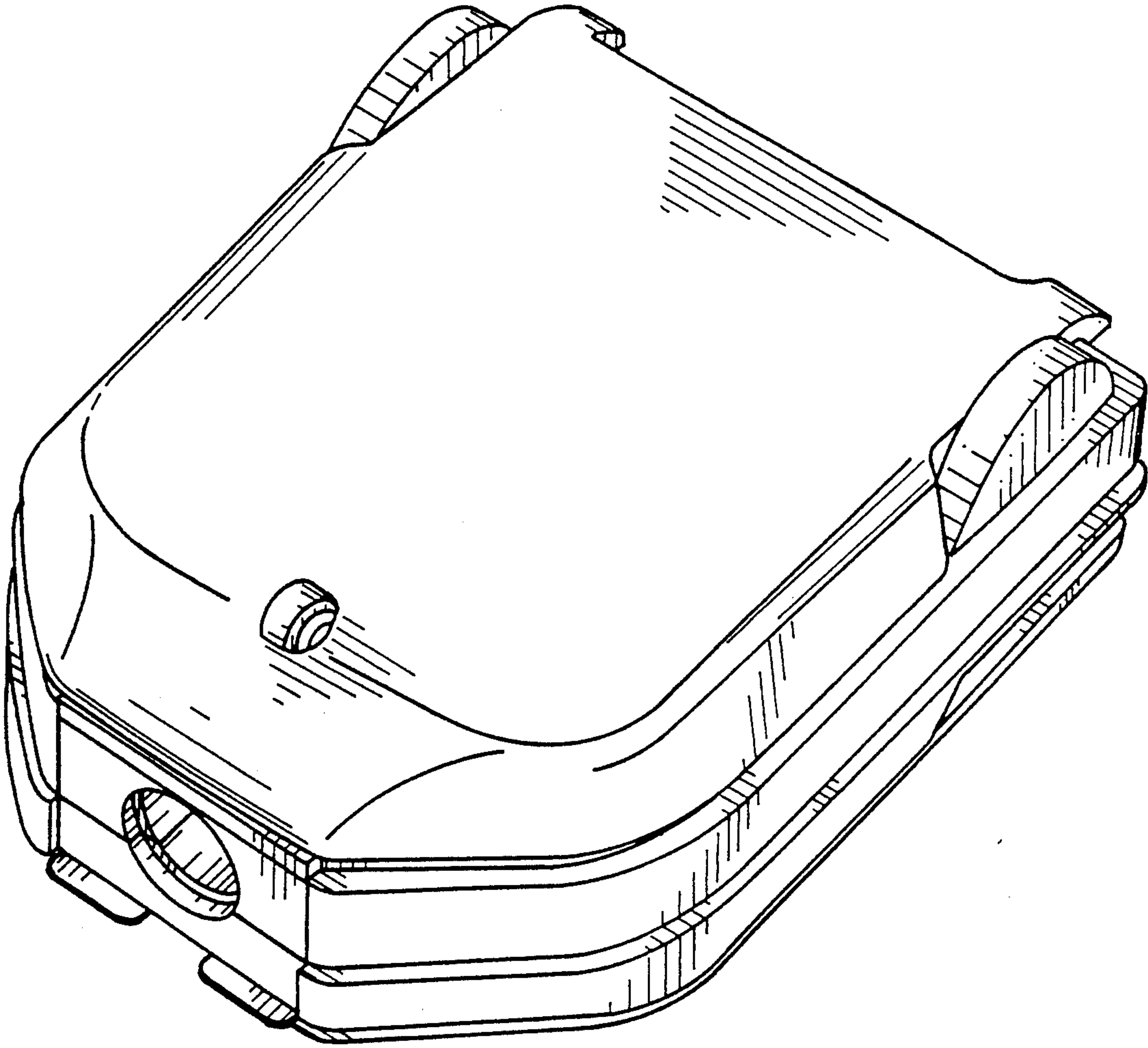


FIG. 3

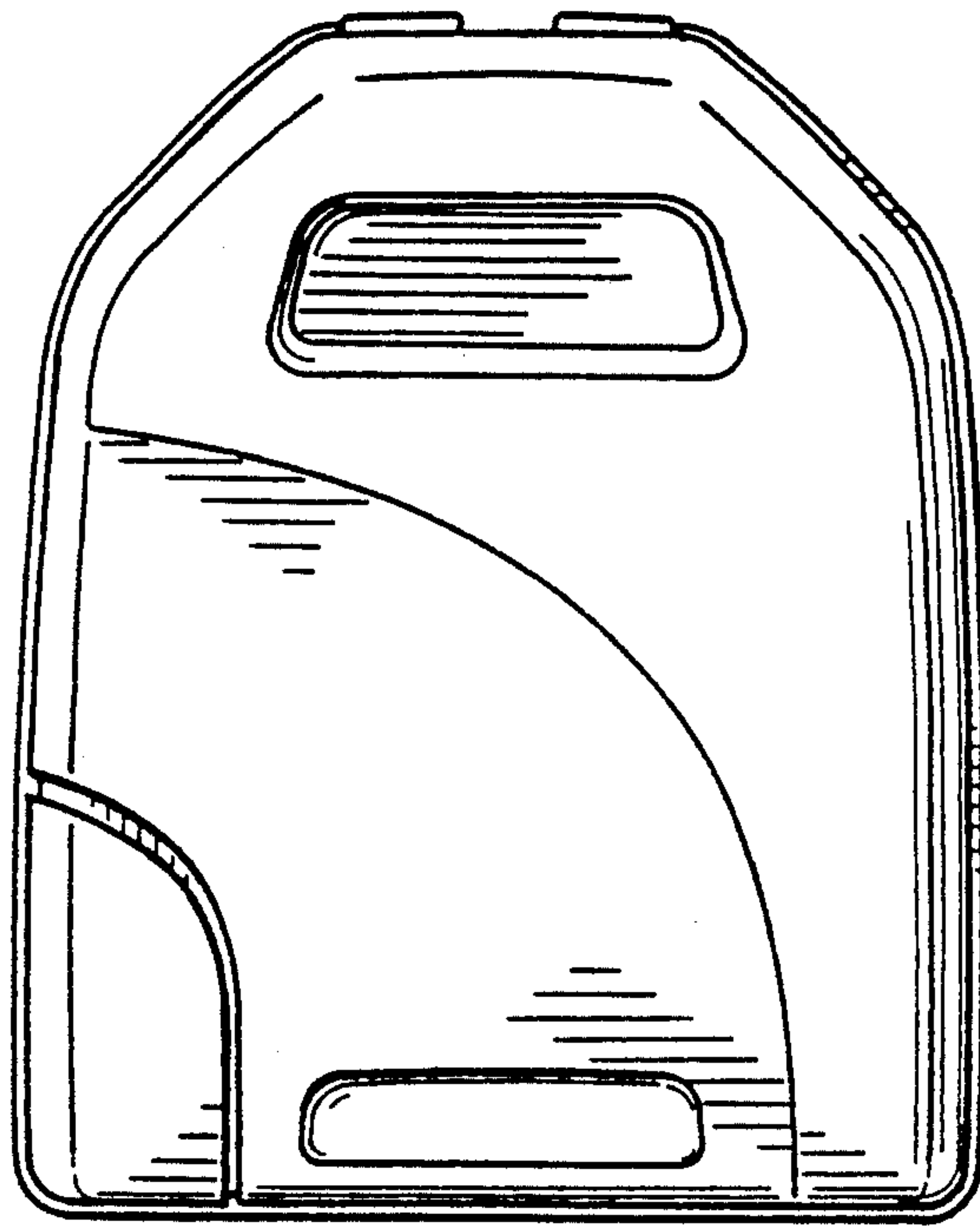


FIG. 4

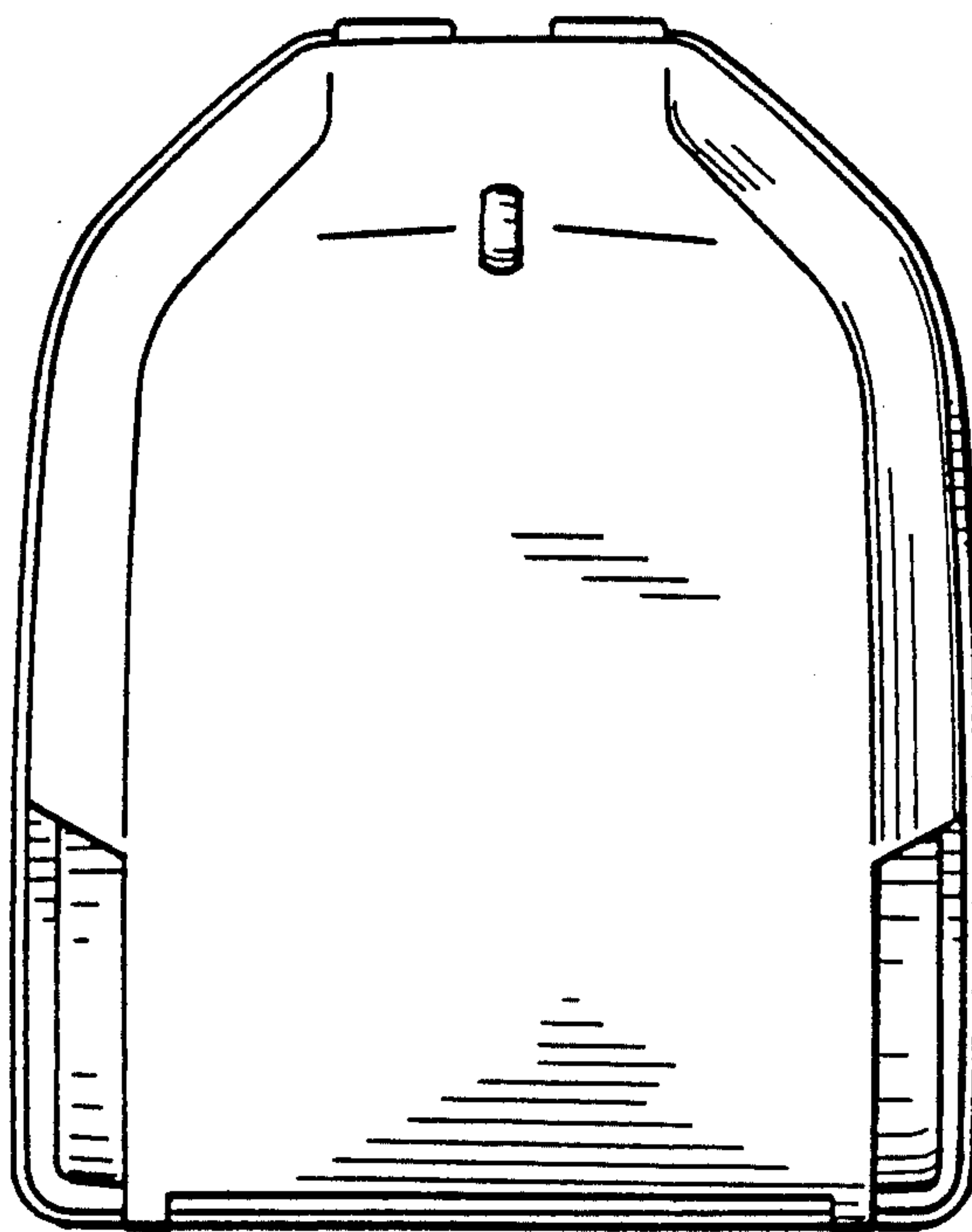


FIG. 5

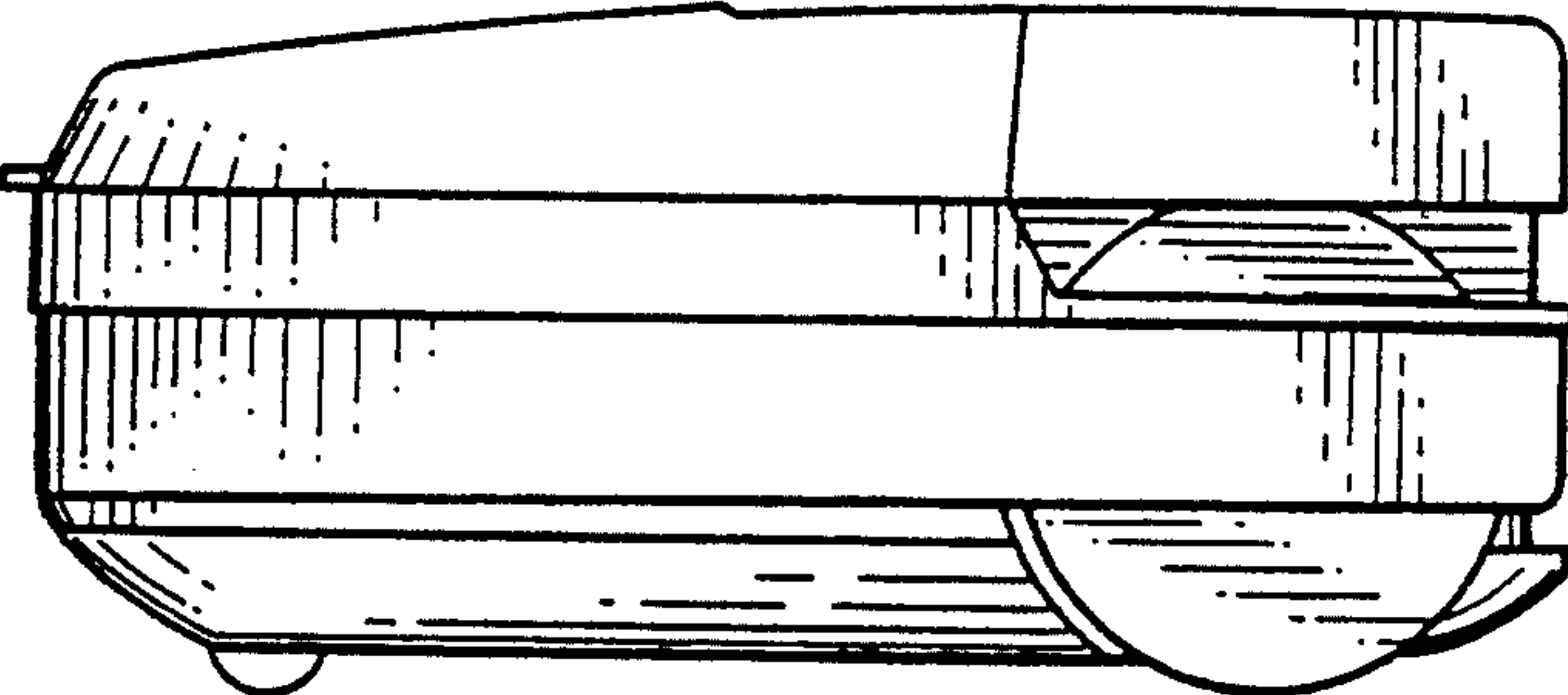


FIG. 6

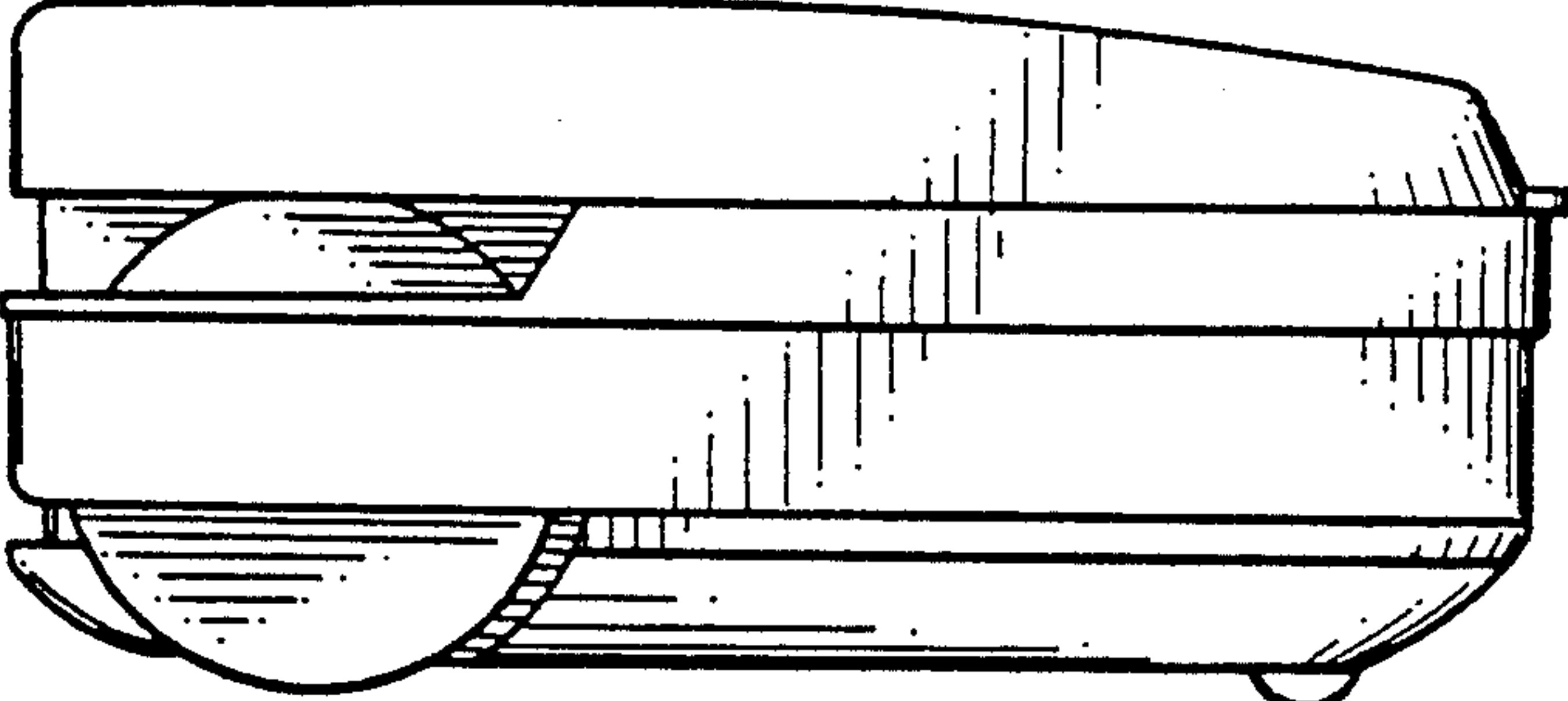


FIG. 7

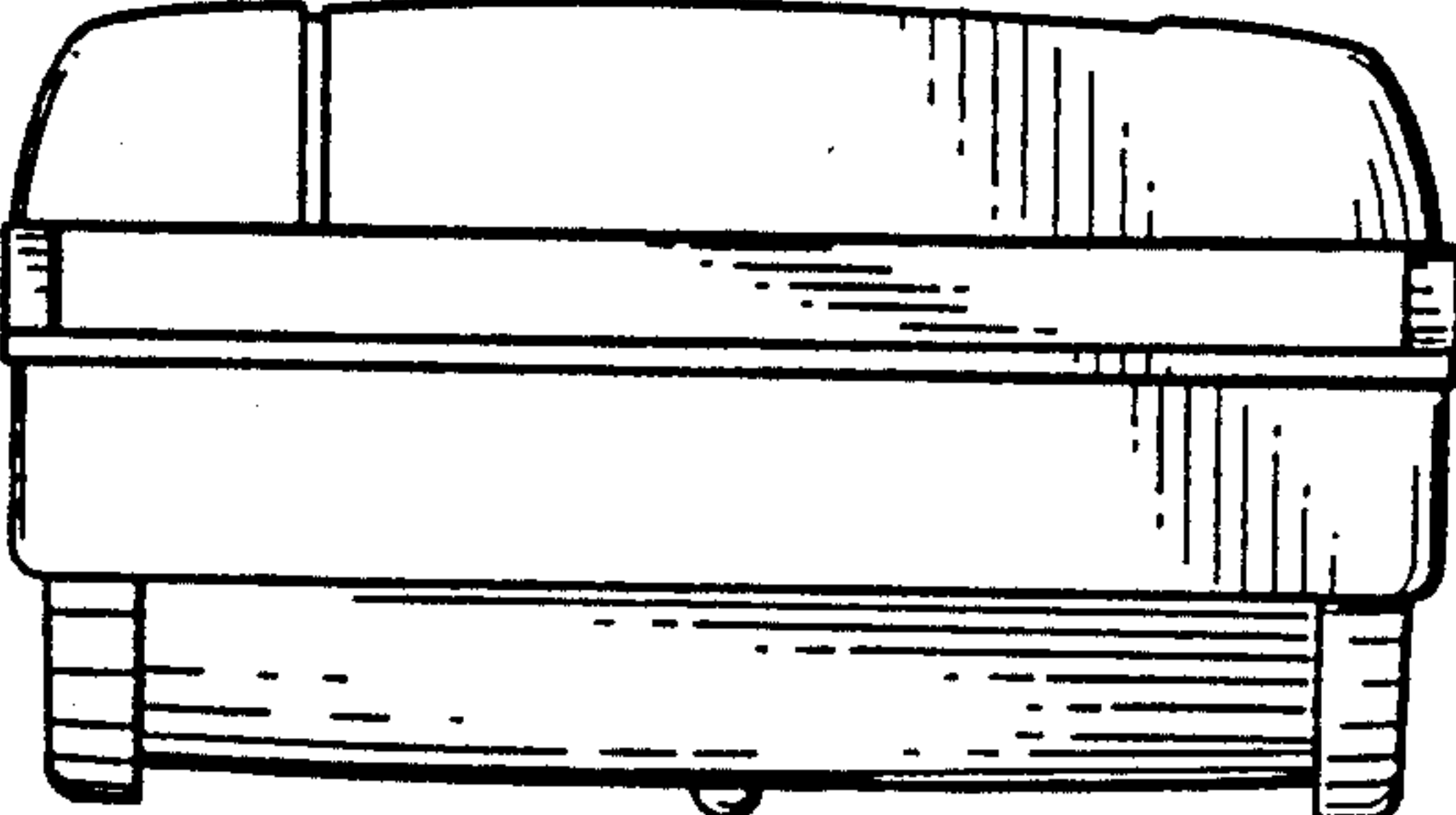


FIG. 8

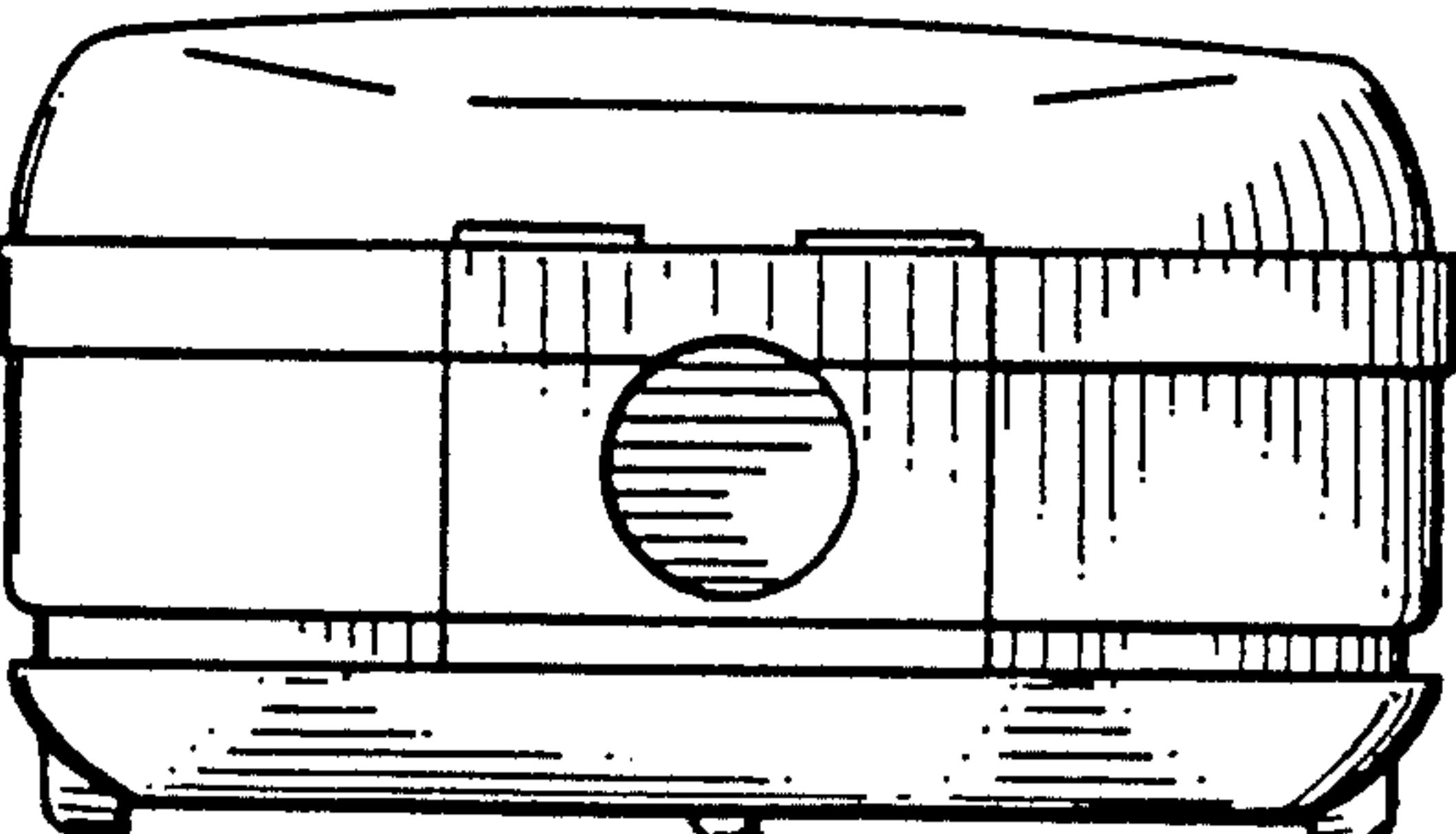


FIG. 9