

[54] **CAROUSEL COSMETIC CASE**
[76] **Inventor: Richard B. Stringham, 1248 E. 600 South, Bountiful, Utah 84010**
[**] **Term: 14 Years**
[21] **Appl. No.: 415,550**
[22] **Filed: Oct. 2, 1989**
[52] **U.S. Cl. D28/73; D3/39**
[58] **Field of Search D28/61, 73-77; D9/307; D3/30.1, 39, 66; D7/501, 538-542; 206/457, 587, 823; 132/286**

1,359,668 11/1920 Buchenau D3/74

OTHER PUBLICATIONS

Beauty Fashion; Special Edition, 1986; p. 154, top left of page: Carousel.

Primary Examiner—B. J. Bullock

Assistant Examiner—C. Tuttle

Attorney, Agent, or Firm—Thorpe, North & Western

[57] **CLAIM**

The ornamental design for a carousel cosmetic case, as shown and described.

DESCRIPTION

FIG. 1 is a perspective view of a carousel cosmetic case showing my new design;

FIG. 2 is a front elevational view thereof;

FIG. 3 is a side elevational view thereof;

FIG. 4 is a rear elevational view thereof;

FIG. 5 is a top plan view thereof; and

FIG. 6 is a bottom plan view thereof.

[56] **References Cited**
U.S. PATENT DOCUMENTS

D. 98,092	1/1936	Sherman	D9/388 X
D. 178,168	7/1956	Buskirk	D28/73
D. 202,967	11/1965	DiSesa, Jr. et al.	D28/61
D. 222,654	11/1971	Lindsay	D3/39
D. 223,787	6/1972	Seidler	D28/73

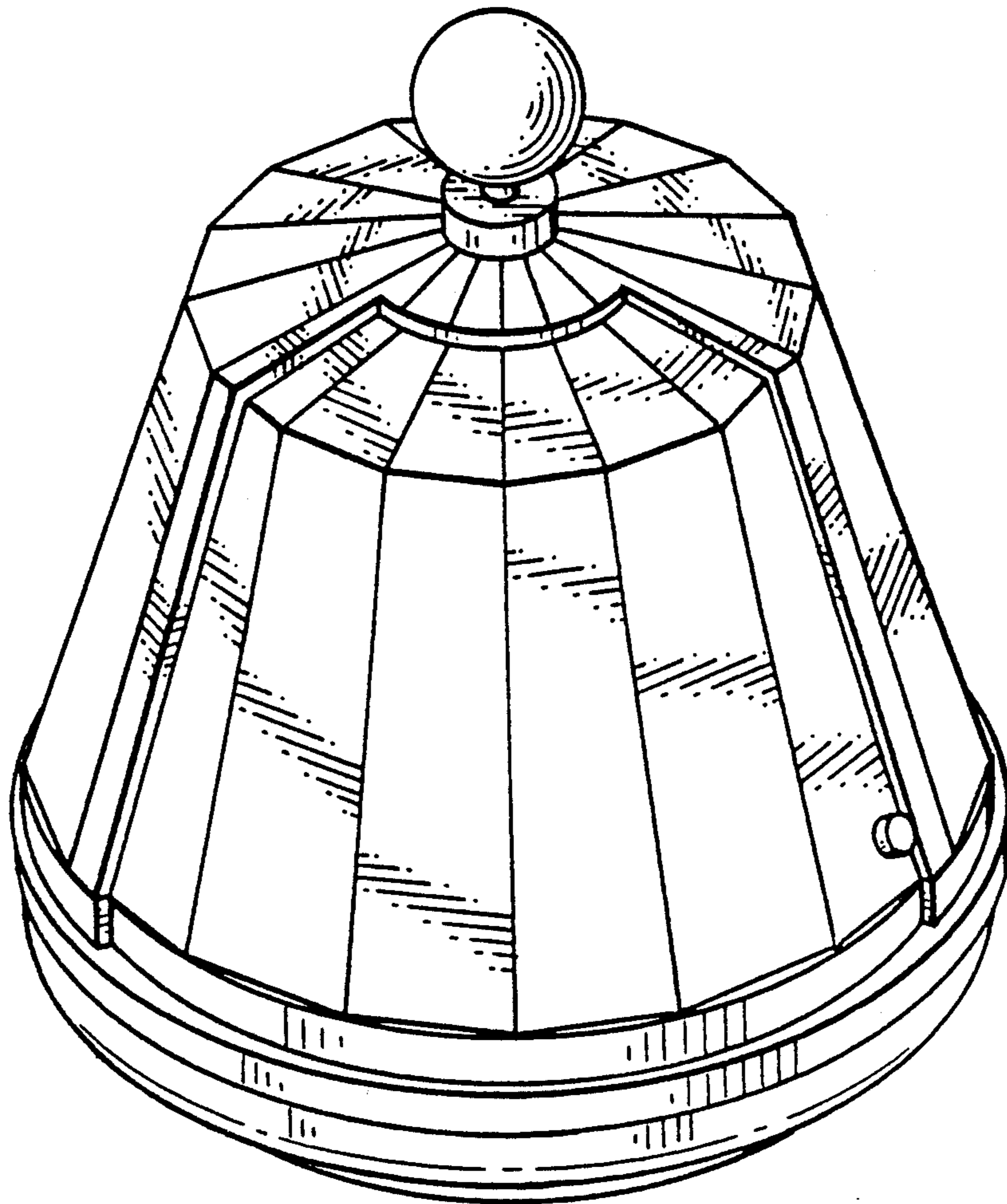


Fig. 1

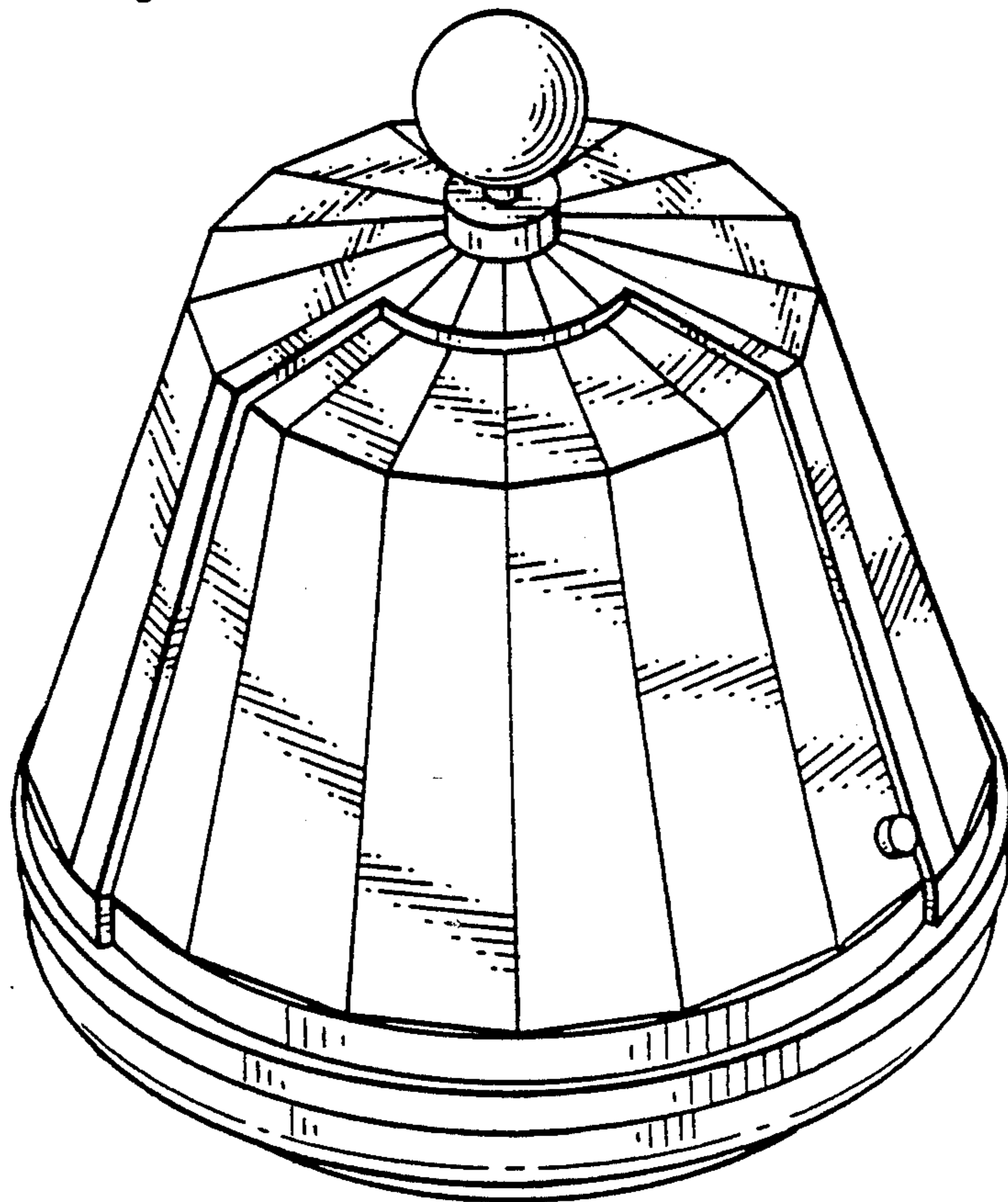


Fig. 2

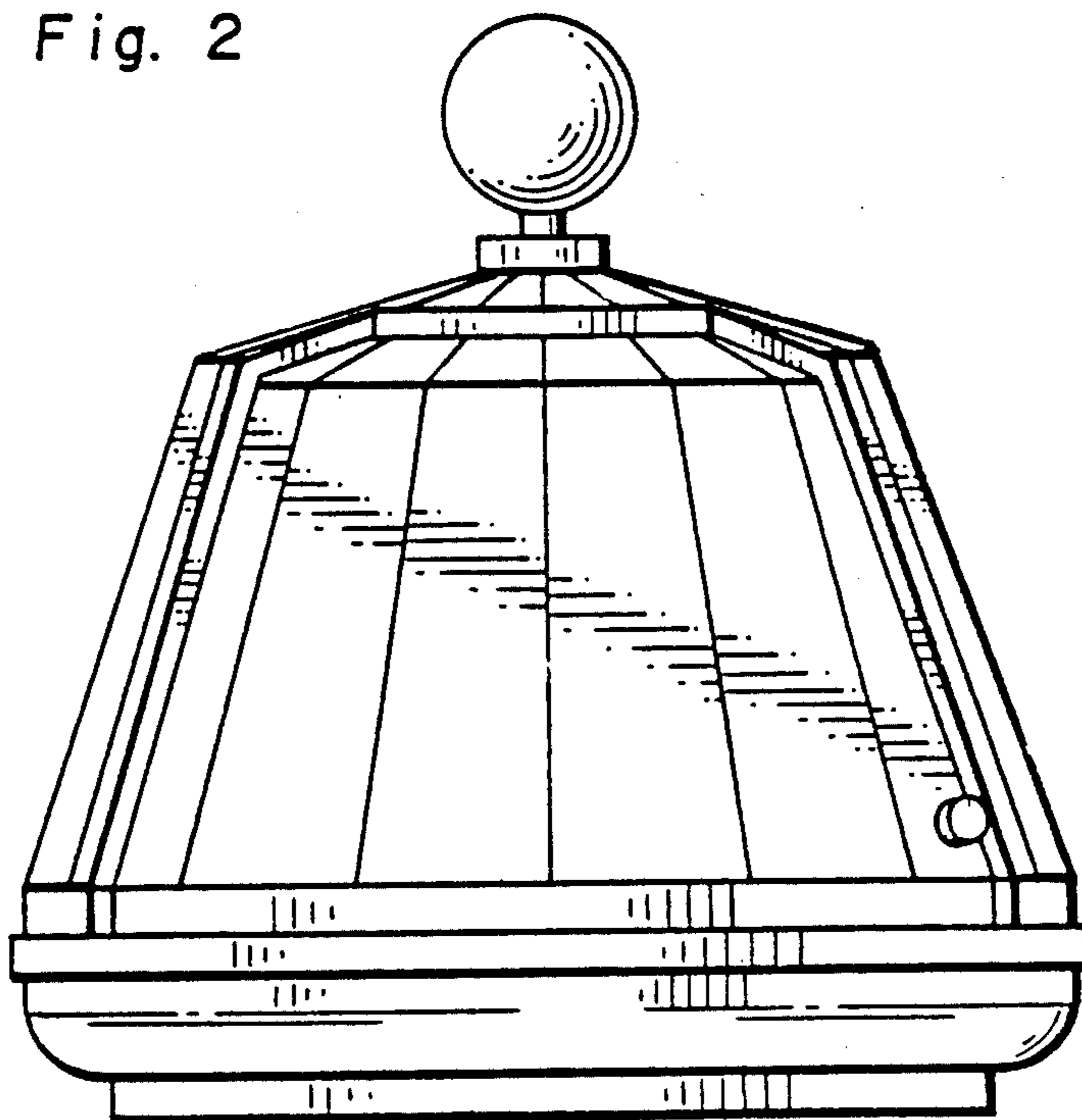


Fig. 3

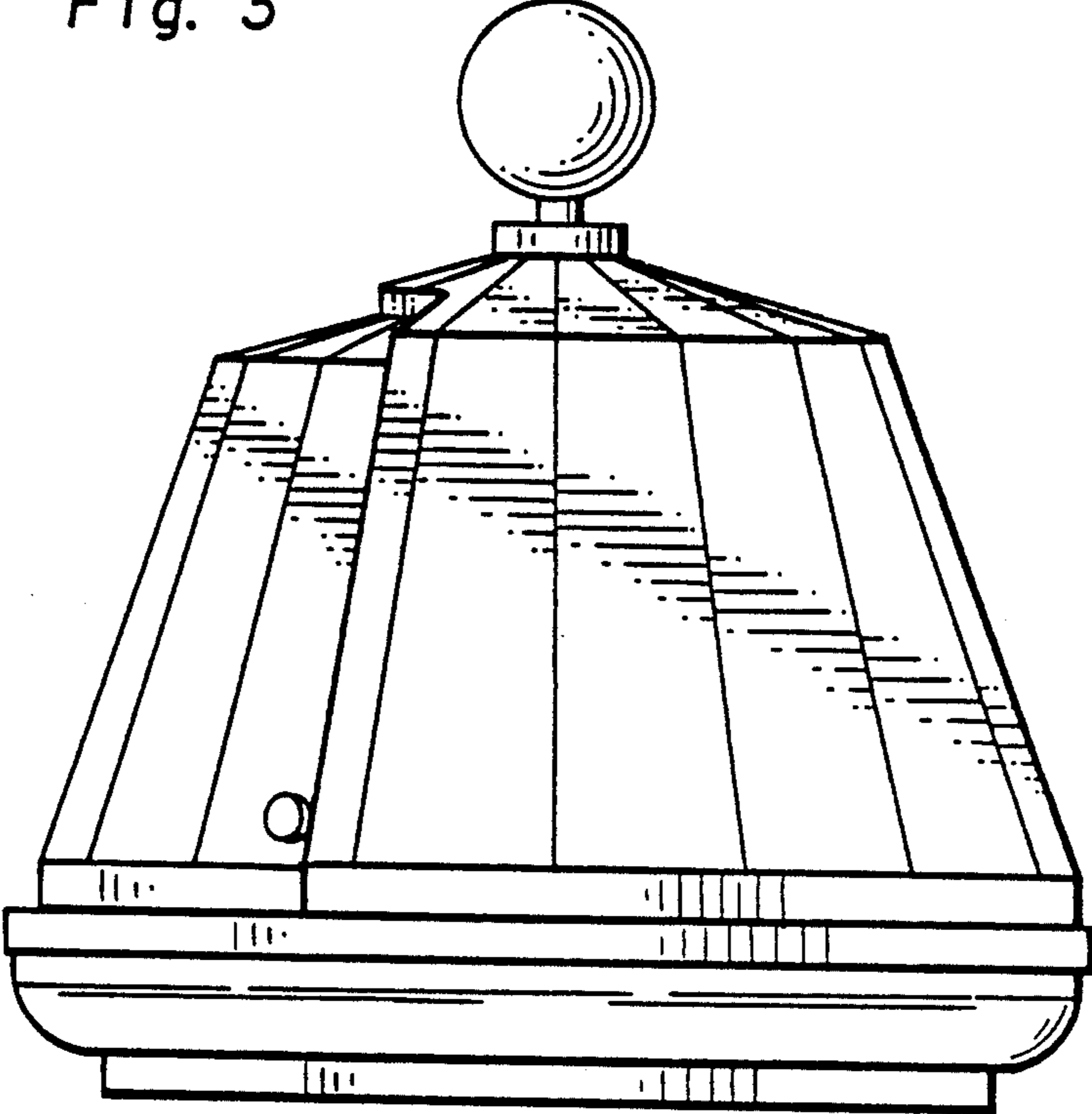


Fig. 4

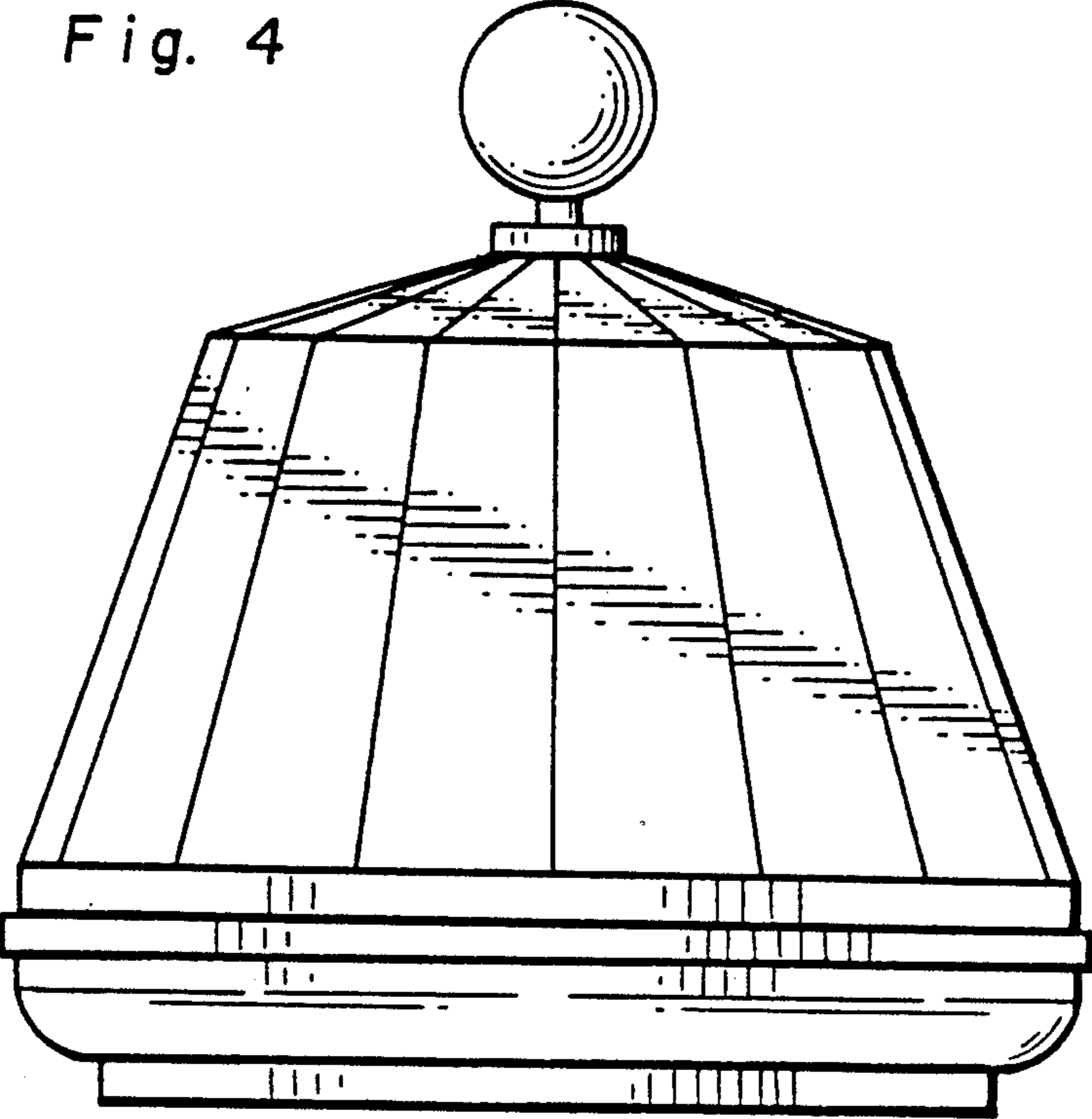


Fig. 5

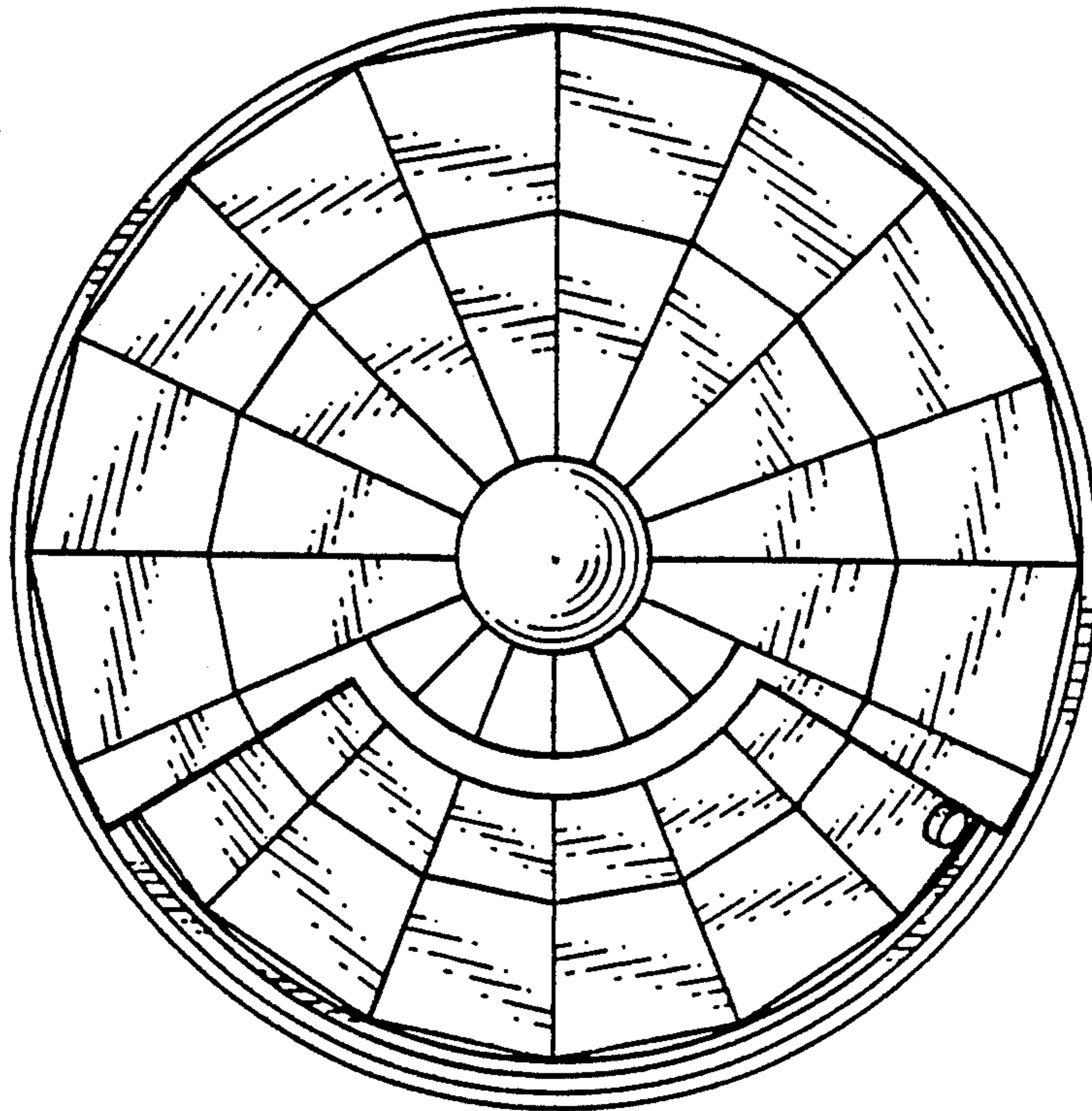


Fig. 6

