

United States Patent [19]

Brinkmann et al.

[11] Patent Number: **Des. 315,219**

[45] Date of Patent: **** Mar. 5, 1991**

[54] FLASHLIGHT

4,658,336 4/1987 Maglica 362/203 X

[76] Inventors: **J. Baxter Brinkmann; Milly Hall,**
both of 4215 McEwen Rd., Dallas,
Tex. 75244; **Donald Keller,** 7312
Summitview Dr., Irving, Tex. 75063

Primary Examiner—Susan J. Lucas
Assistant Examiner—M. H. Tung
Attorney, Agent, or Firm—Pretty, Schroeder,
Brueggemann & Clark

[**] Term: **14 Years**

[57] **CLAIM**

[21] Appl. No.: **172,131**

The ornamental design for a flashlight, as shown and described.

[22] Filed: **Mar. 23, 1988**

[52] U.S. Cl. **D26/49**

DESCRIPTION

[58] Field of Search **D26/37-50;**
362/157-158, 191-208, 183-190

FIG. 1 is a perspective view of a flashlight showing our new design;

[56] **References Cited**

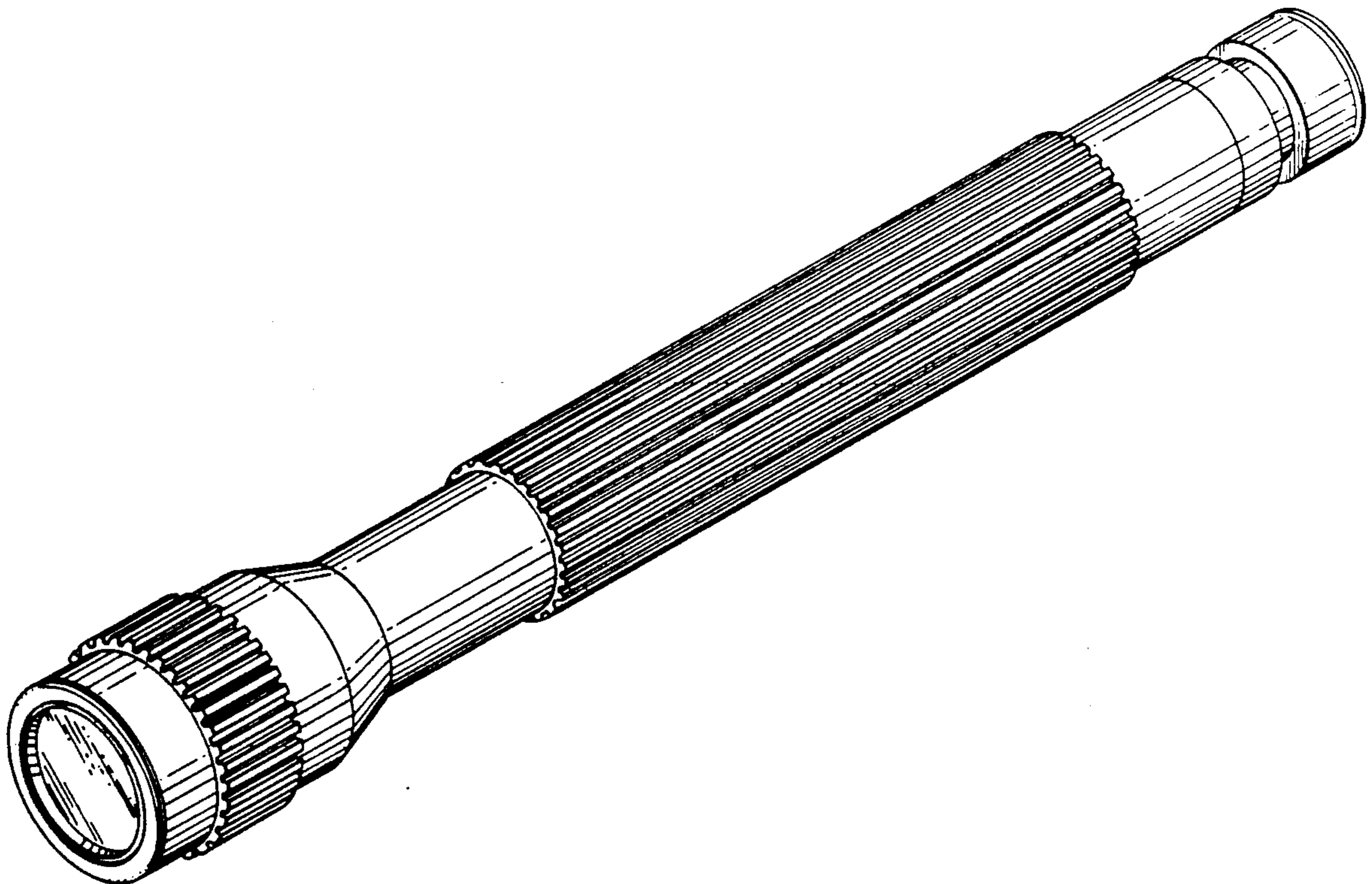
FIG. 2 is a side elevational view thereof, all sides being identical;

U.S. PATENT DOCUMENTS

D. 303,578 9/1989 Gammache D26/49
4,357,648 11/1982 Nelson 362/183
4,415,954 11/1983 Schaefer 362/189 X

FIG. 3 is a front elevational view thereof, on an enlarged scale;

FIG. 4 is a rear elevational view thereof, on an enlarged scale.



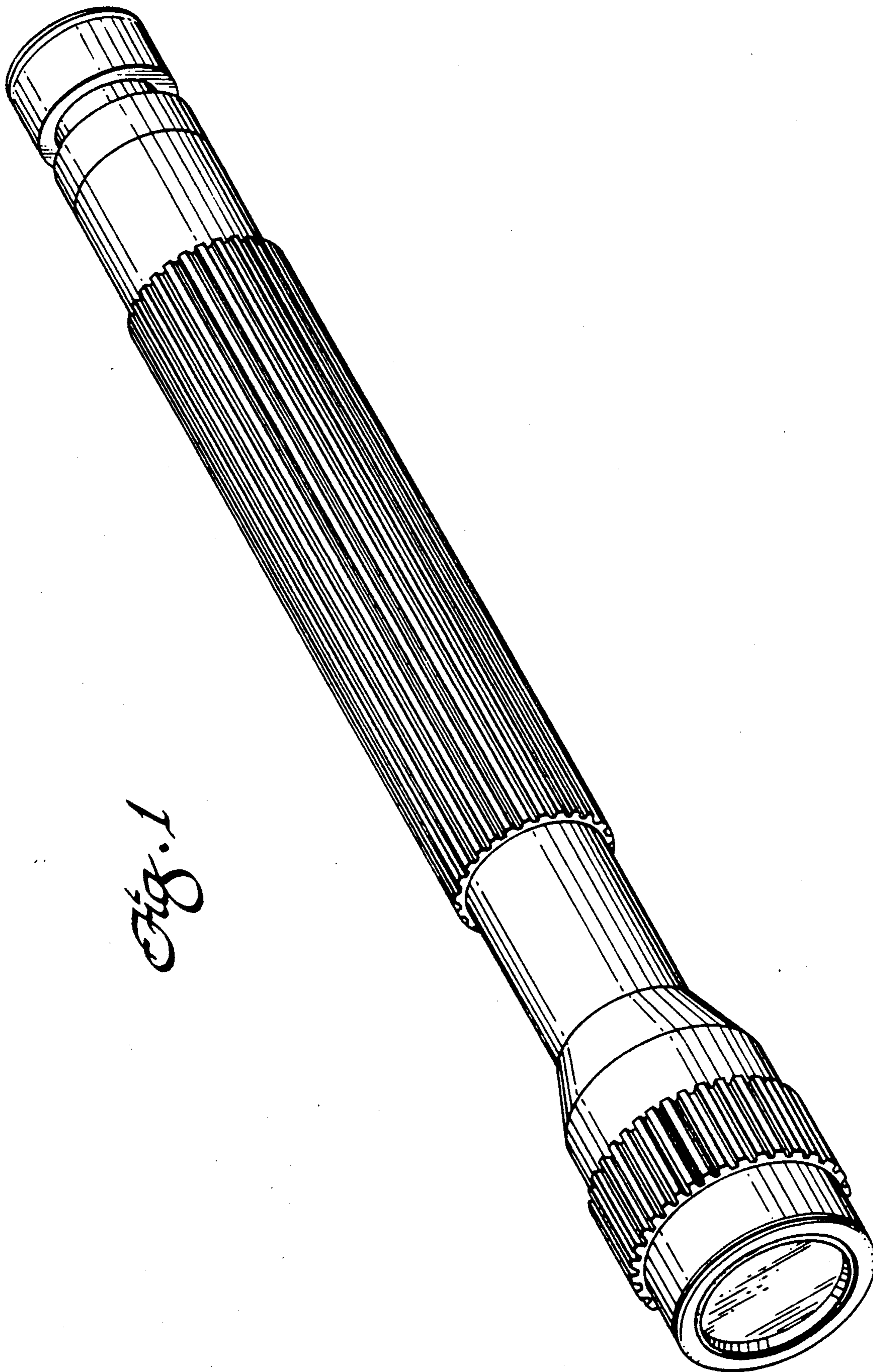


Fig. 1

Fig. 2

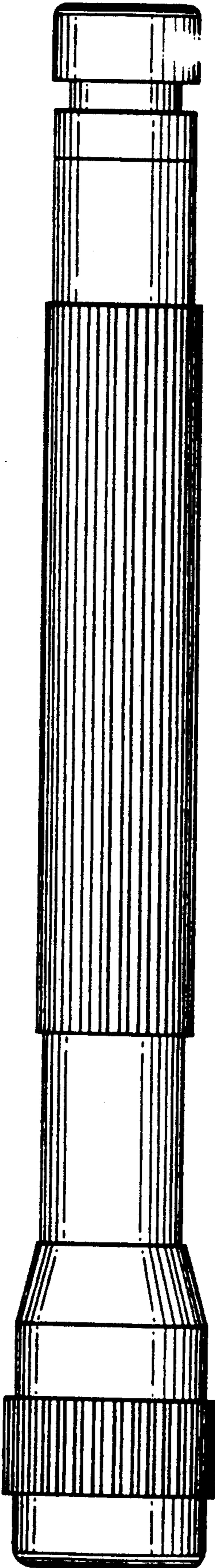


Fig. A

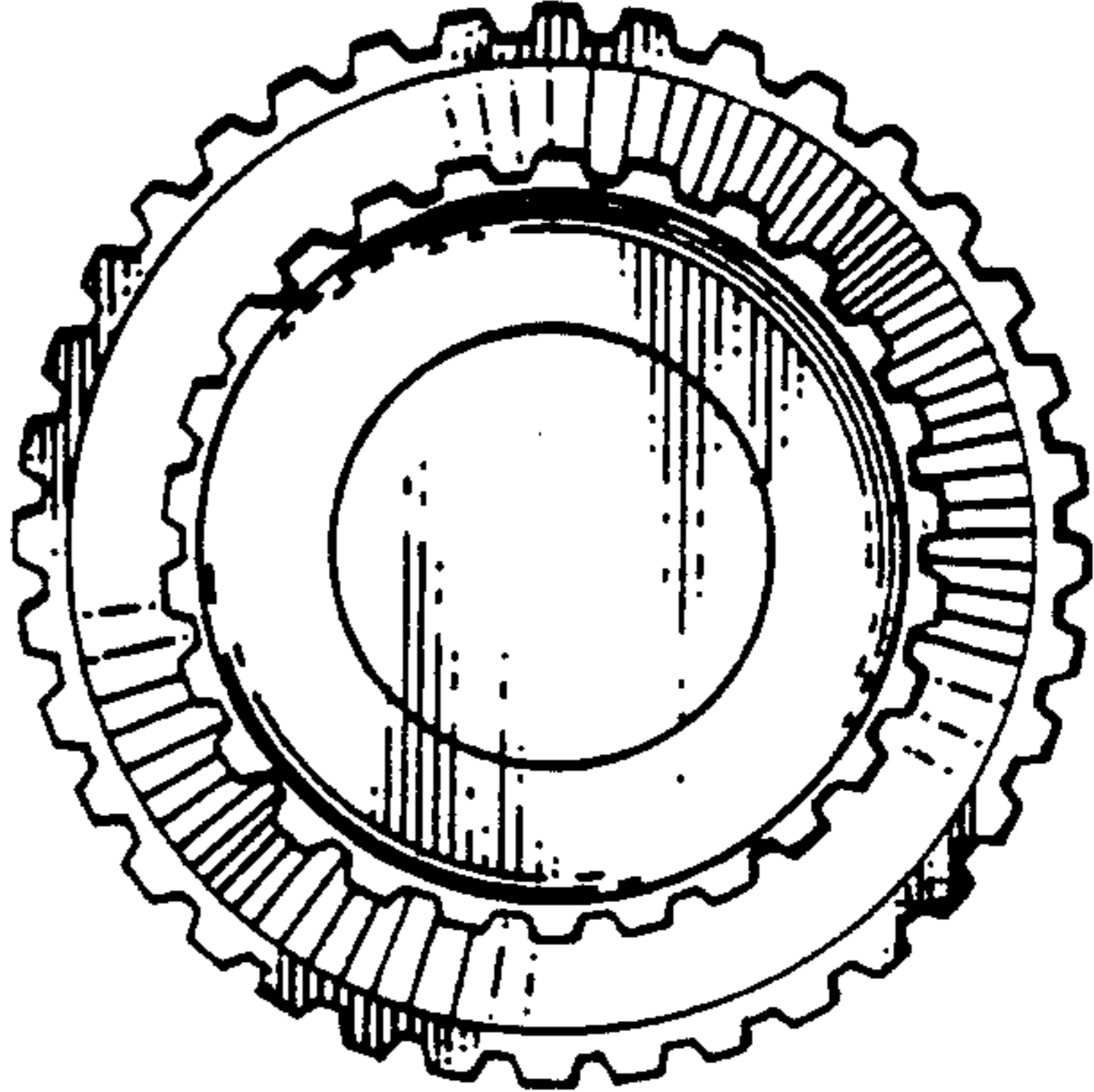


Fig. 3

