

United States Patent [19]

Matsumura et al.

[11] Patent Number: **Des. 315,218**

[45] Date of Patent: **** Mar. 5, 1991**

[54] **SIGNAL LAMP FOR AUTOMOBILES**

[75] Inventors: **Naoki Matsumura; Tsutomu Machida; Toshiyasu Mochizuki**, all of Shimizu, Japan

[73] Assignee: **Koito Seisakusho Co., Ltd.**, Shizuoka, Japan

[**] Term: **14 Years**

[21] Appl. No.: **243,009**

[22] Filed: **Sep. 12, 1988**

[30] **Foreign Application Priority Data**

Mar. 12, 1988 [JP] Japan 63-10039

[52] U.S. Cl. **D26/35**

[58] Field of Search D26/28-36;
D10/114; 362/61, 74, 80, 80.1, 80.2, 82, 83,
83.2, 83.3, 227, 235, 236, 238, 240, 241, 244,
246, 249, 800

[56] **References Cited**

U.S. PATENT DOCUMENTS

D. 304,694 11/1989 Goss D26/28
4,733,335 3/1988 Serizawa et al. 362/80
4,745,525 5/1988 Sheehy 362/80 X

4,845,600 7/1989 Matsumura et al. 362/80
4,862,330 8/1989 Machida et al. 362/61

FOREIGN PATENT DOCUMENTS

0098062 1/1984 European Pat. Off. 362/61
0120425 9/1981 Japan 362/61

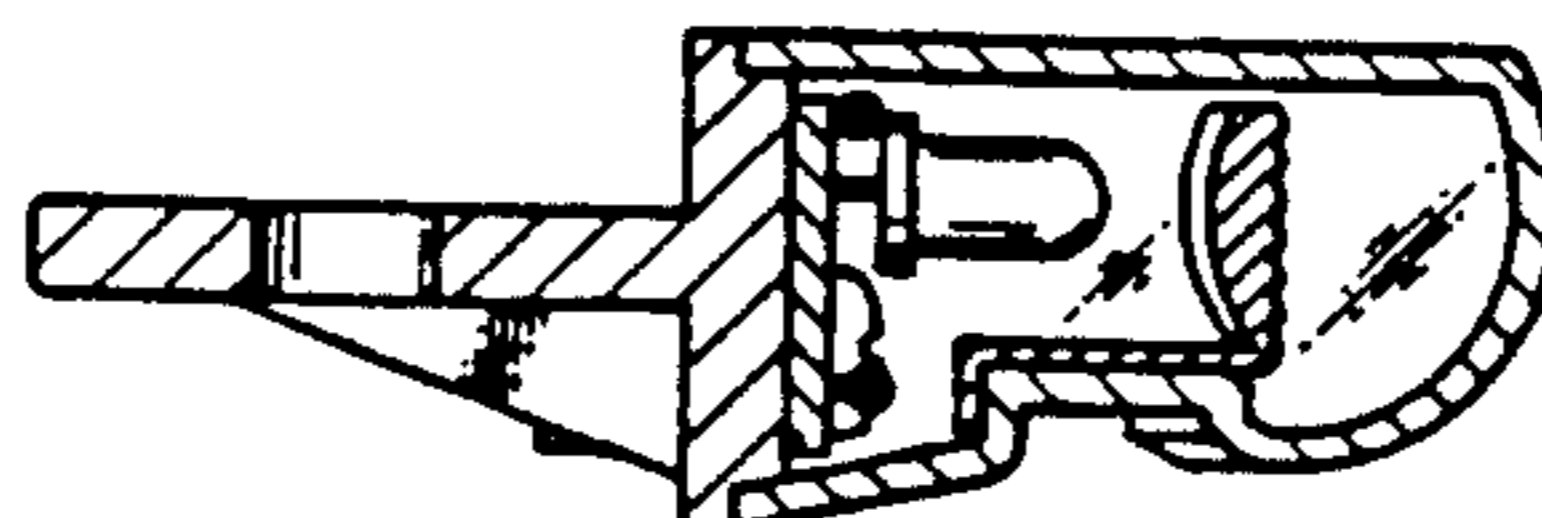
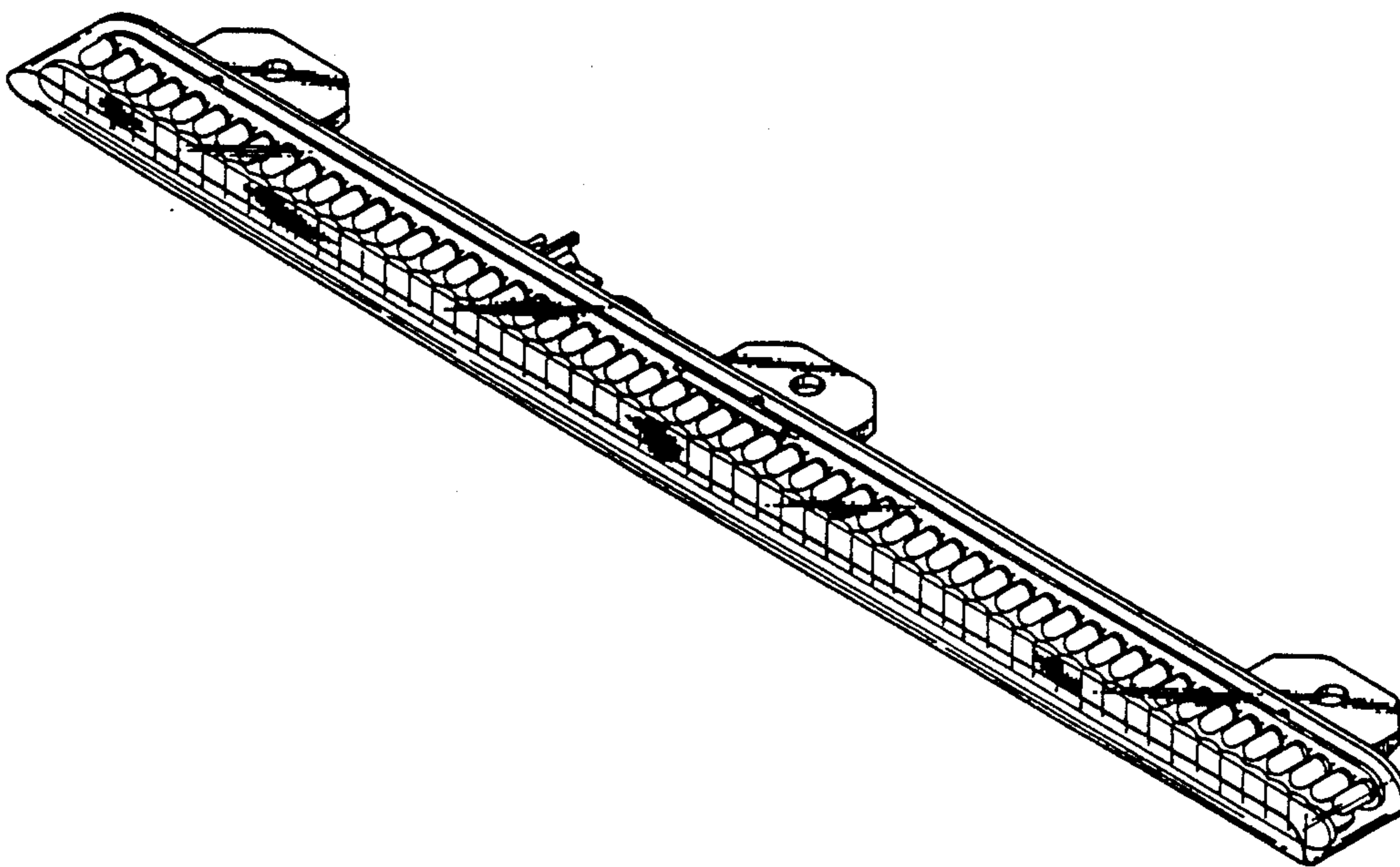
Primary Examiner—Susan J. Lucas
Attorney, Agent, or Firm—Sughrue, Mion, Zinn,
Macpeak & Seas

[57] **CLAIM**

The ornamental design for a signal lamp for automobiles, as shown and described.

DESCRIPTION

FIG. 1 is a front elevational view of a signal lamp for automobiles showing our new design; FIG. 2 is a rear elevational view thereof; FIG. 3 is a left side elevational view thereof; FIG. 4 is a right side elevational view thereof; FIG. 5 is a top plan view thereof; FIG. 6 is a bottom plan view thereof; FIG. 7 is an enlarged fragmentary top plan view of the portion of the lamp enclosed by lines 7—7 in FIG. 5; FIG. 8 is a top front elevational view thereof; and FIG. 9 is an enlarged cross-sectional view thereof as taken along the line 9—9 of FIG. 1.



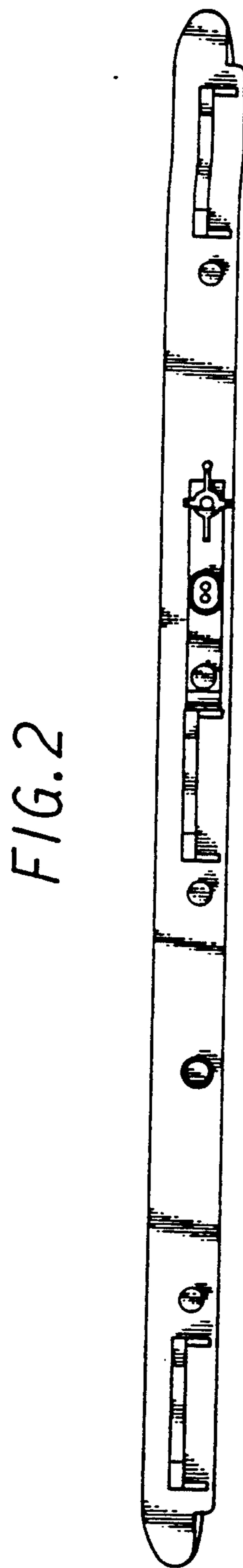
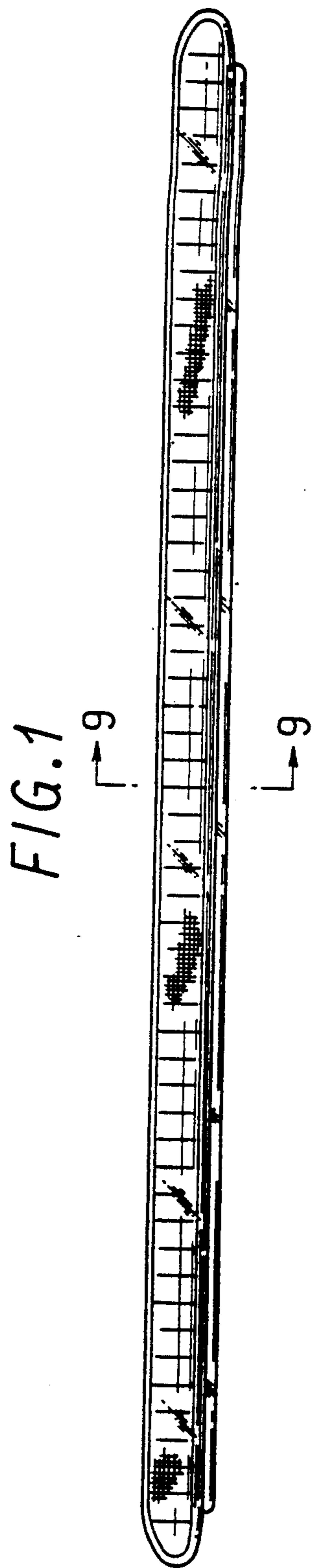


FIG. 4



FIG. 5

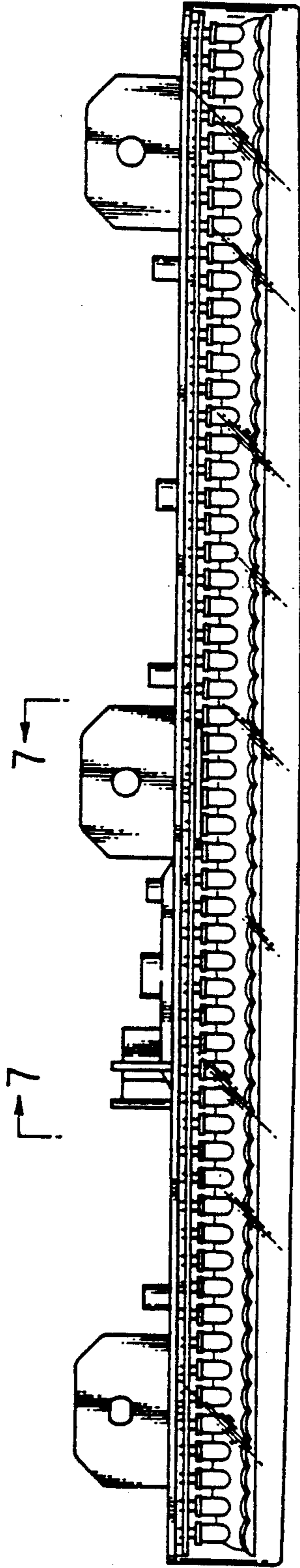


FIG. 6

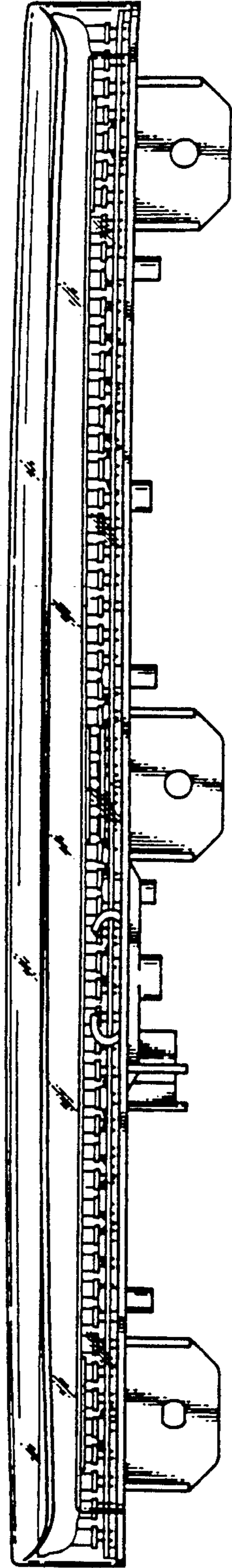


FIG. 7

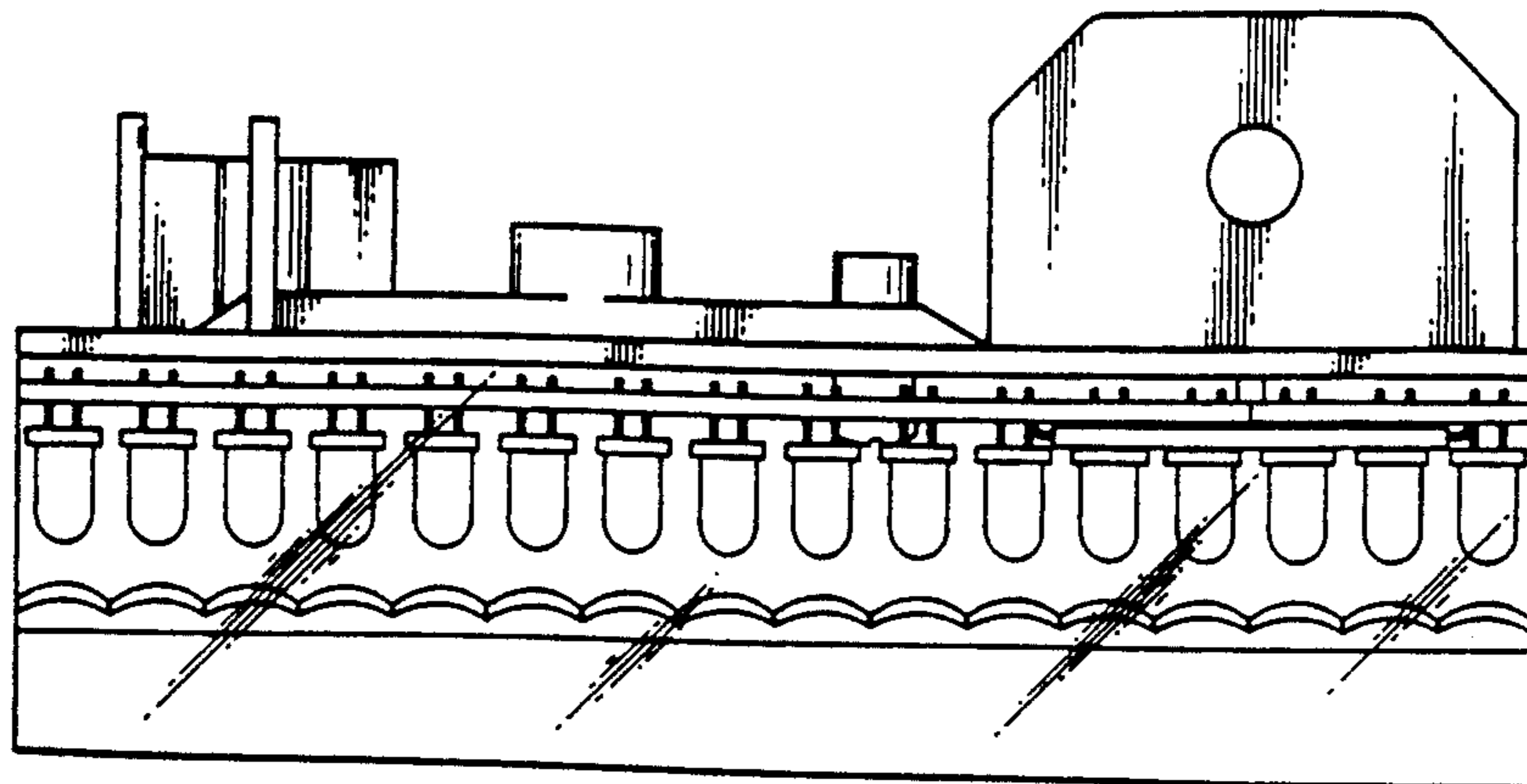


FIG. 8

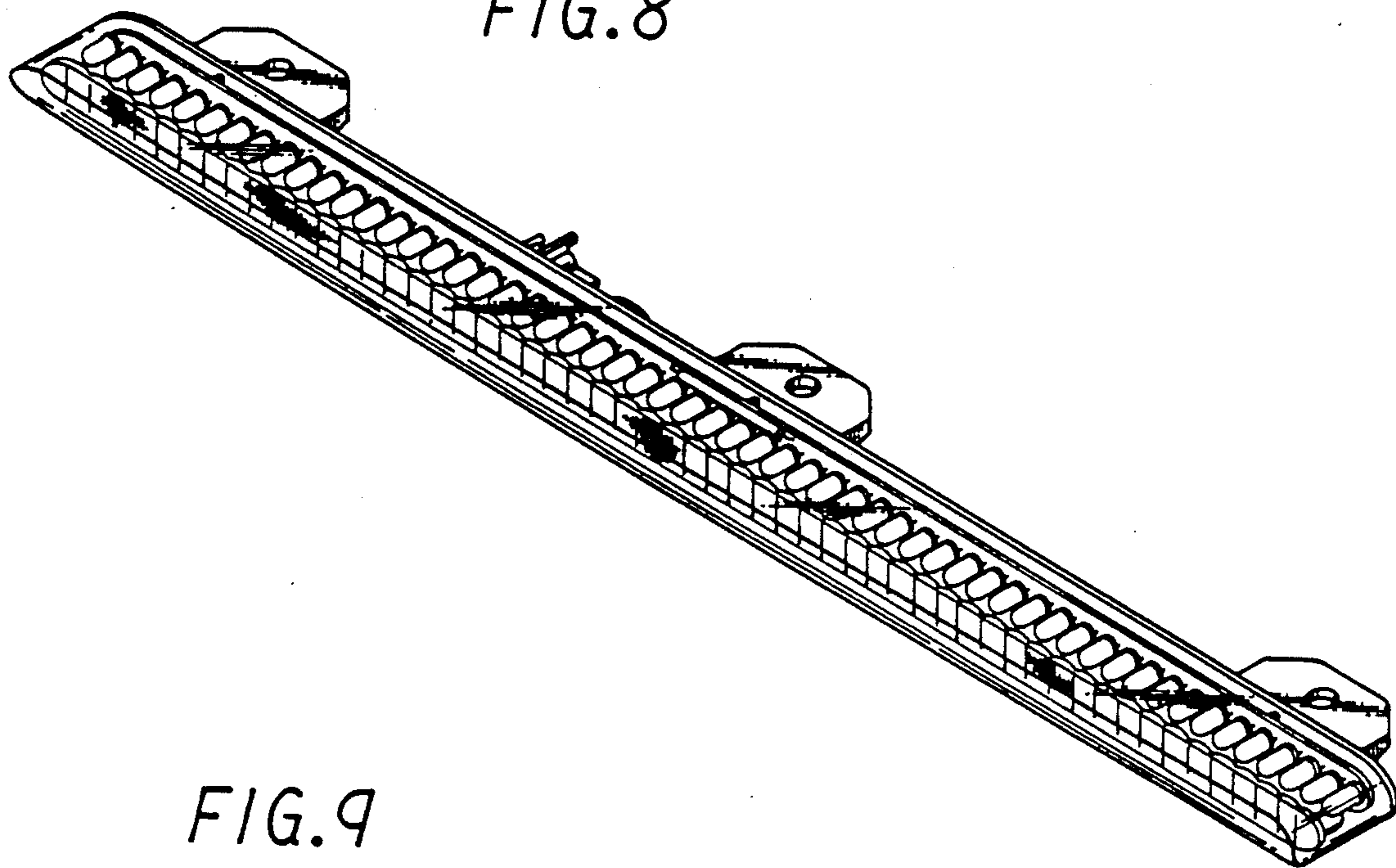


FIG. 9

