

[54] **NURSING BOTTLE**
[75] **Inventor: Zenichi Ohnuki, Tokyo, Japan**
[73] **Assignee: Pigeon Co., Ltd., Tokyo, Japan**
[**] **Term: 14 Years**
[21] **Appl. No.: 323,789**
[22] **Filed: Mar. 15, 1989**

[30] **Foreign Application Priority Data**

Sep. 16, 1988 [JP] Japan 63-36272
[52] **U.S. Cl. D24/47; D9/380**
[58] **Field of Search D24/47, 46, 45; D7/510,
D7/511, 534; D9/380, 381**

[56] **References Cited**

U.S. PATENT DOCUMENTS

D. 216,730 3/1970 Carshaw D7/510
D. 233,972 12/1974 Juhlin D7/511
D. 279,752 7/1985 Jagger D7/510
1,637,719 8/1927 Whitlock D24/47
2,792,696 5/1957 Stayart 215/11.1 X
3,990,596 11/1976 Hoftman D24/47 X

4,801,027 1/1989 Hunter 215/11.1

OTHER PUBLICATIONS

Earnshaw's Review, Feb. 1978, Chicco Baby Nipple Training Cup, p. 43.

Primary Examiner—Stella Reid
Attorney, Agent, or Firm—Wenderoth, Lind & Ponack

[57] **CLAIM**

The ornamental design for a nursing bottle, as shown and described.

DESCRIPTION

FIG. 1 is a perspective view of a nursing bottle, showing my new design;
FIG. 2 is a front elevational view thereof, the rear elevational view being identical thereto;
FIG. 3 is a right side elevational view thereof, the left side elevational view being identical thereto;
FIG. 4 is a top plan view thereof;
FIG. 5 is a bottom plan view thereof; and
FIG. 6 is a cross-sectional view taken along line 6—6 of FIG. 2.

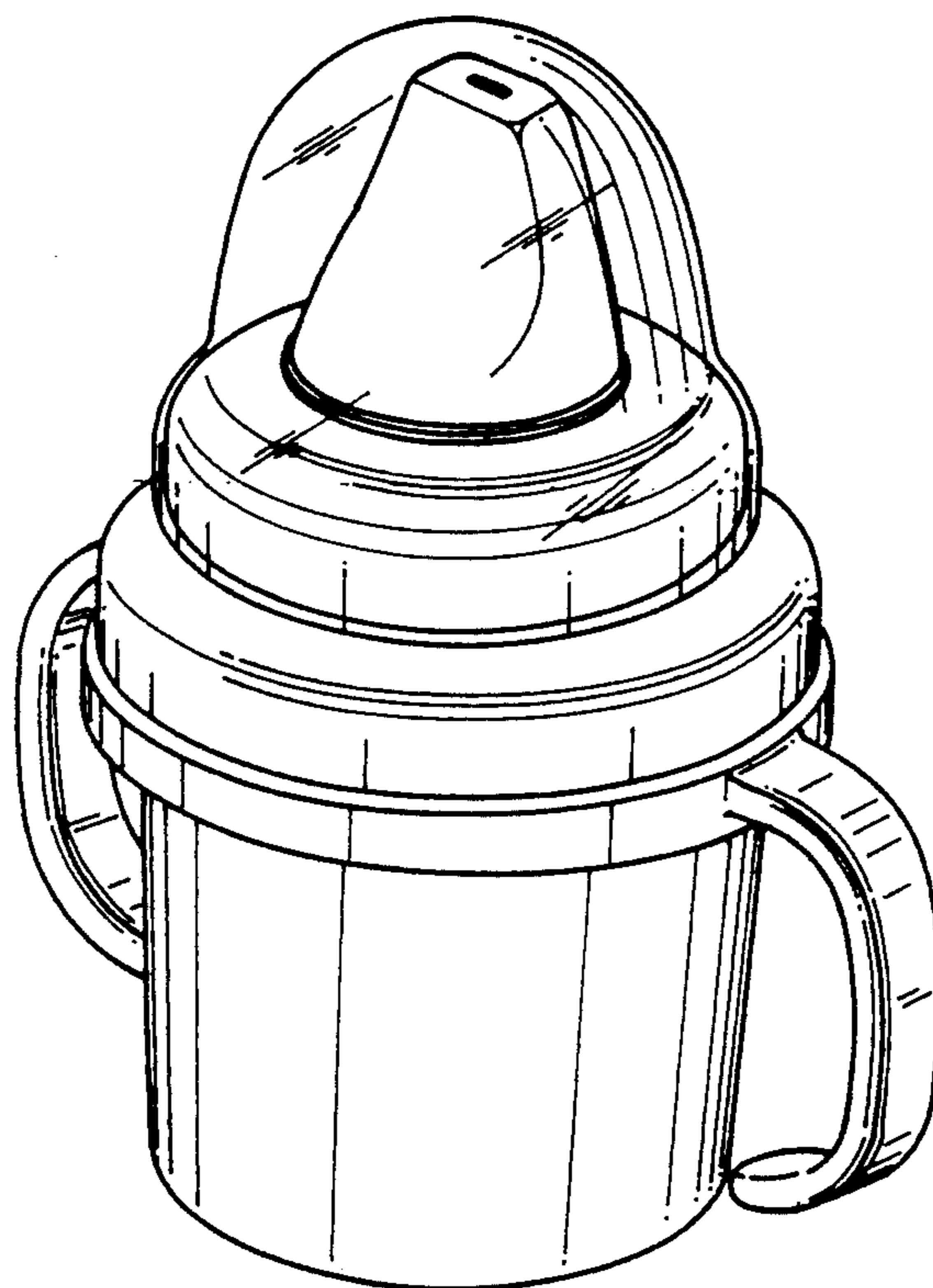


FIG. 1

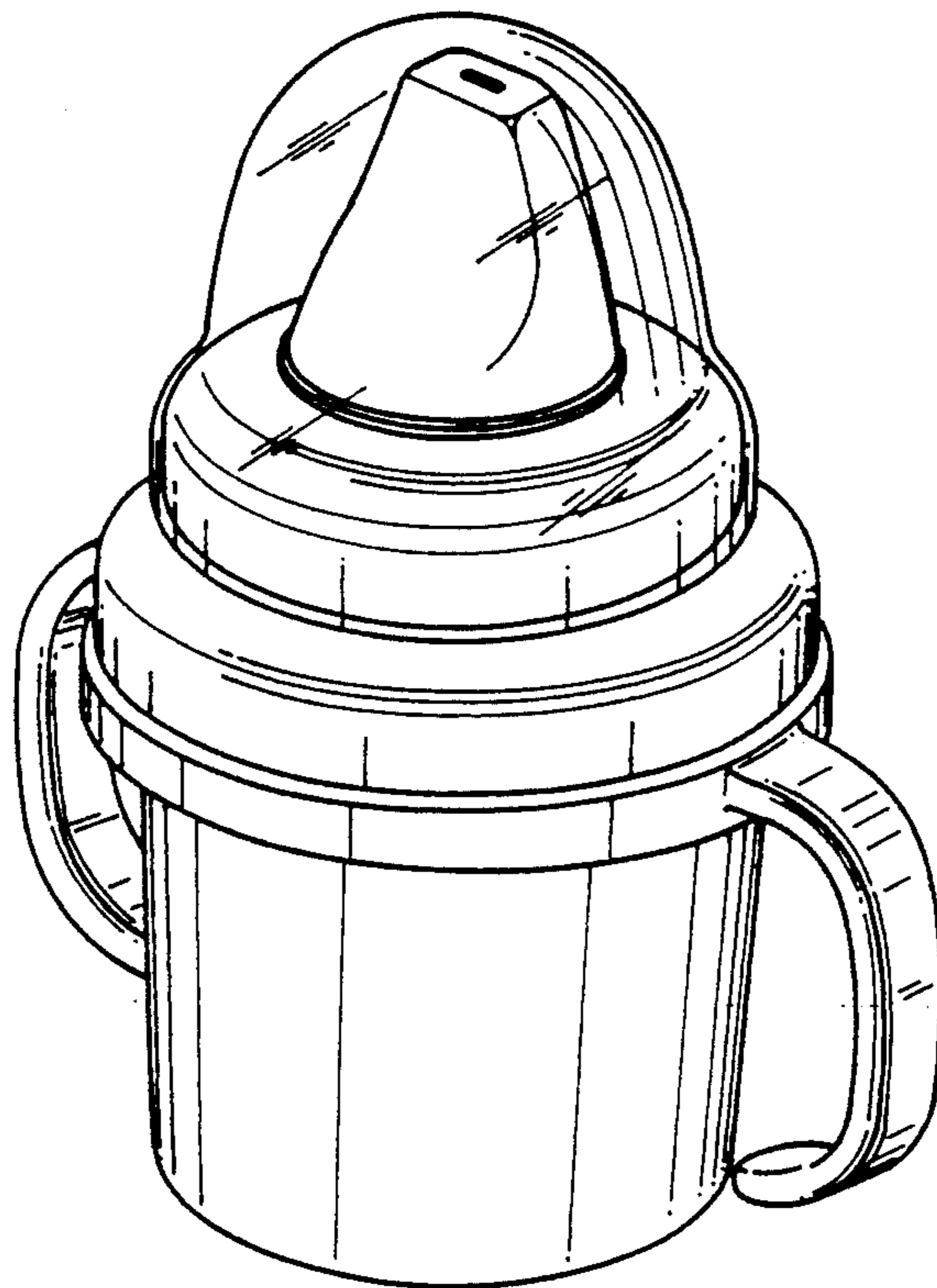


FIG. 2

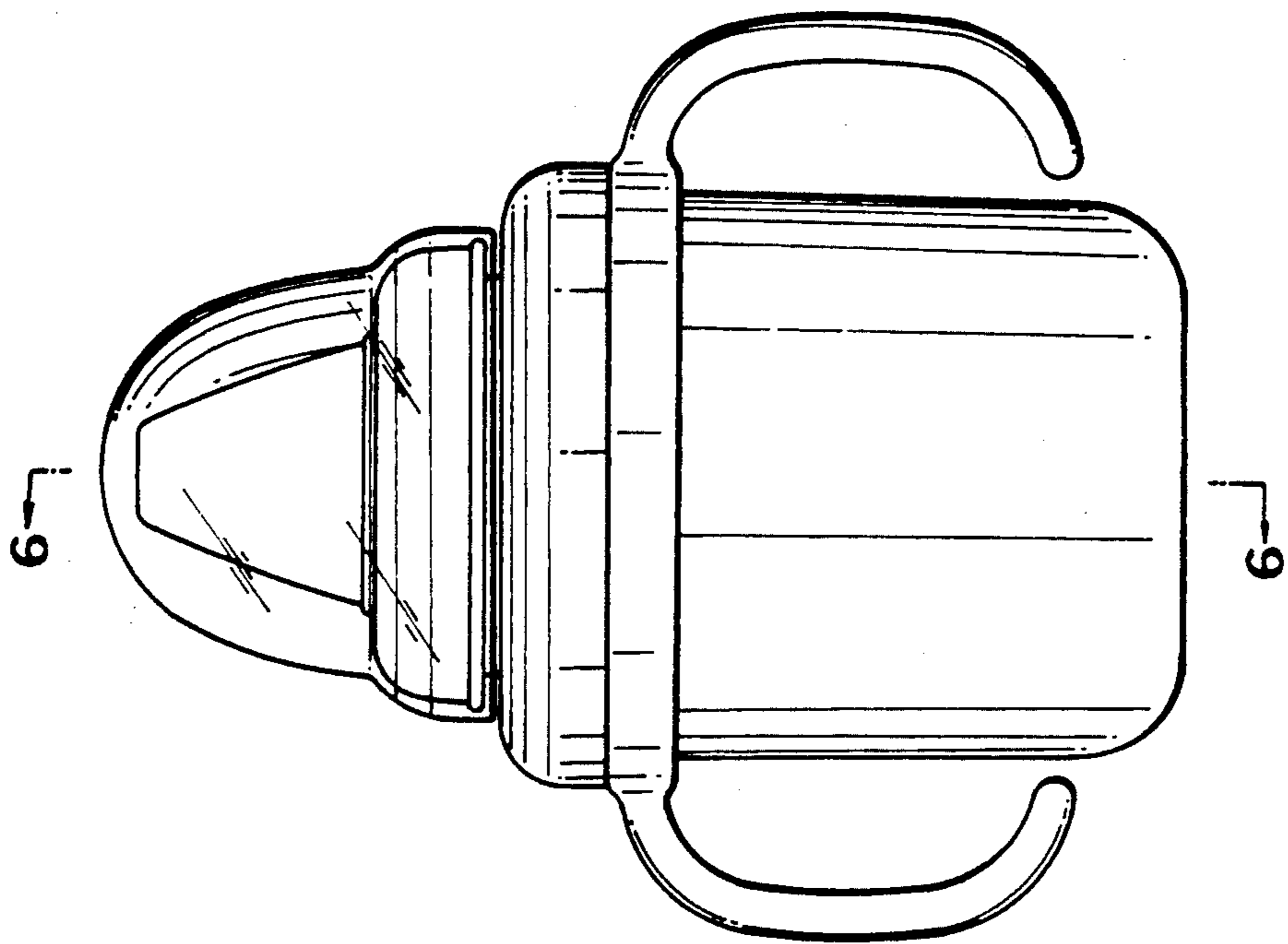


FIG. 3

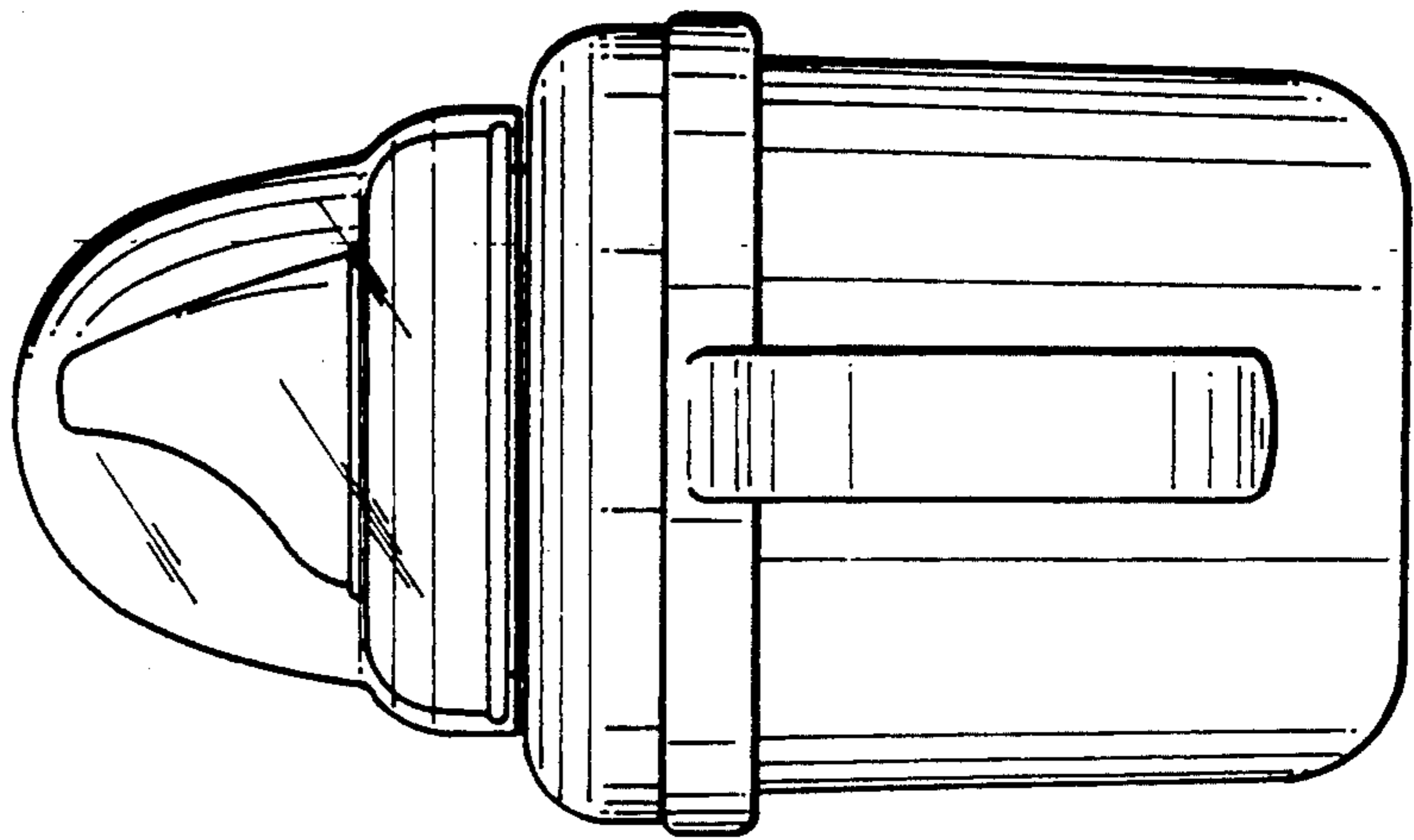


FIG. 4

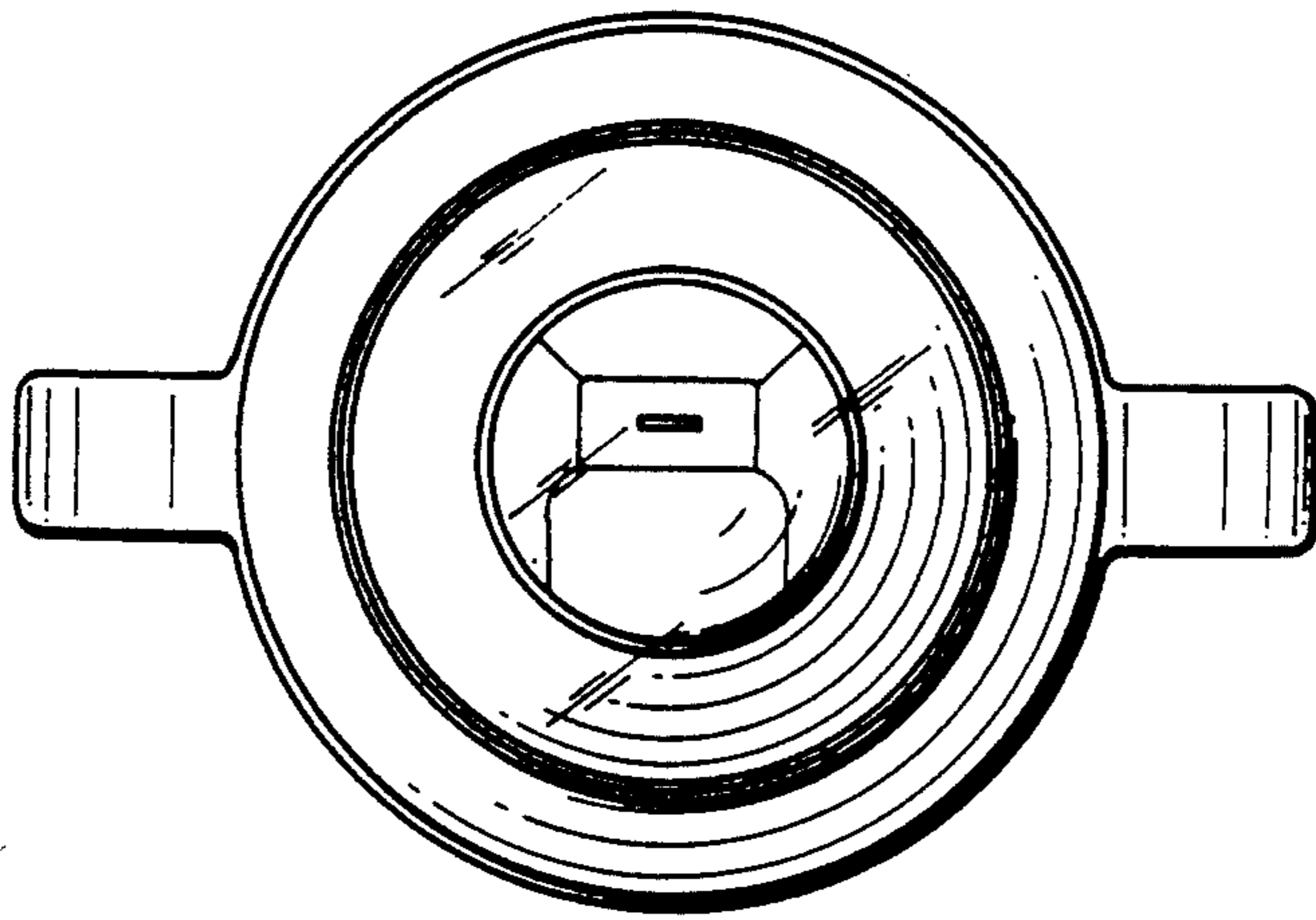


FIG. 5

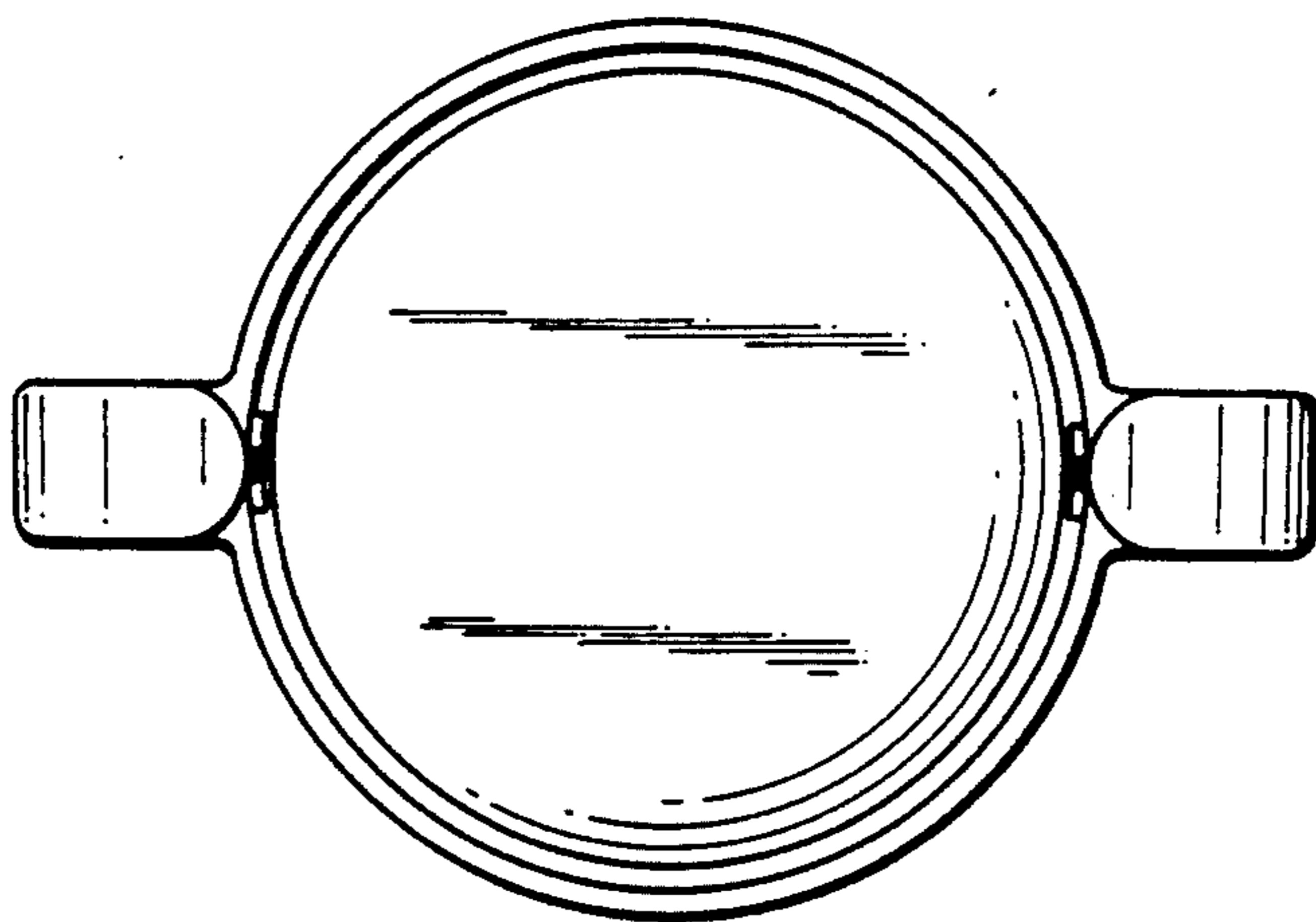


FIG. 6

