

[54] **COMBINED PORTABLE CARDIAC AND RESPIRATORY MONITOR**

[75] Inventor: **George R. Rounds**, Stamford, Conn.

[73] Assignee: **American Health Products, Inc.**, Orange, Calif.

[**] Term: **14 Years**

[21] Appl. No.: **128,475**

[22] Filed: **Dec. 3, 1987**

[52] U.S. Cl. **D24/17**

[58] Field of Search **D24/17, 21, 36; 128/721, 706, 644, 670, 668, 680, 683**

[56] **References Cited**

U.S. PATENT DOCUMENTS

4,391,279	7/1983	Stein	128/644	X
4,576,179	3/1986	Manus et al.	128/644	X
4,709,704	12/1987	Lukasiewicz	128/644	
4,763,660	8/1988	Kroll et al.	128/644	X

4,809,700 3/1989 Castelli 128/644

Primary Examiner—Stella Reid

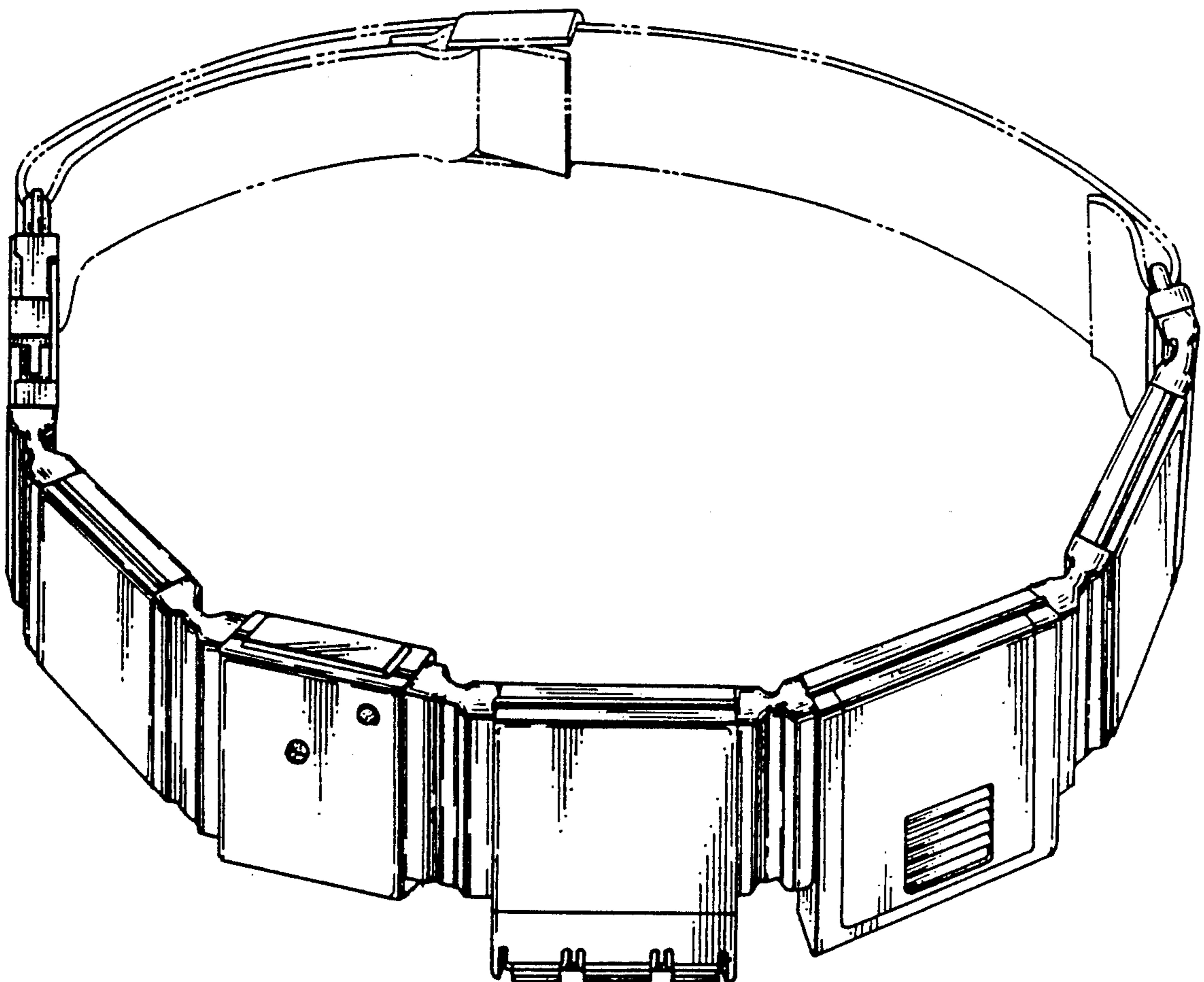
Attorney, Agent, or Firm—St. Onge Steward Johnston & Reens

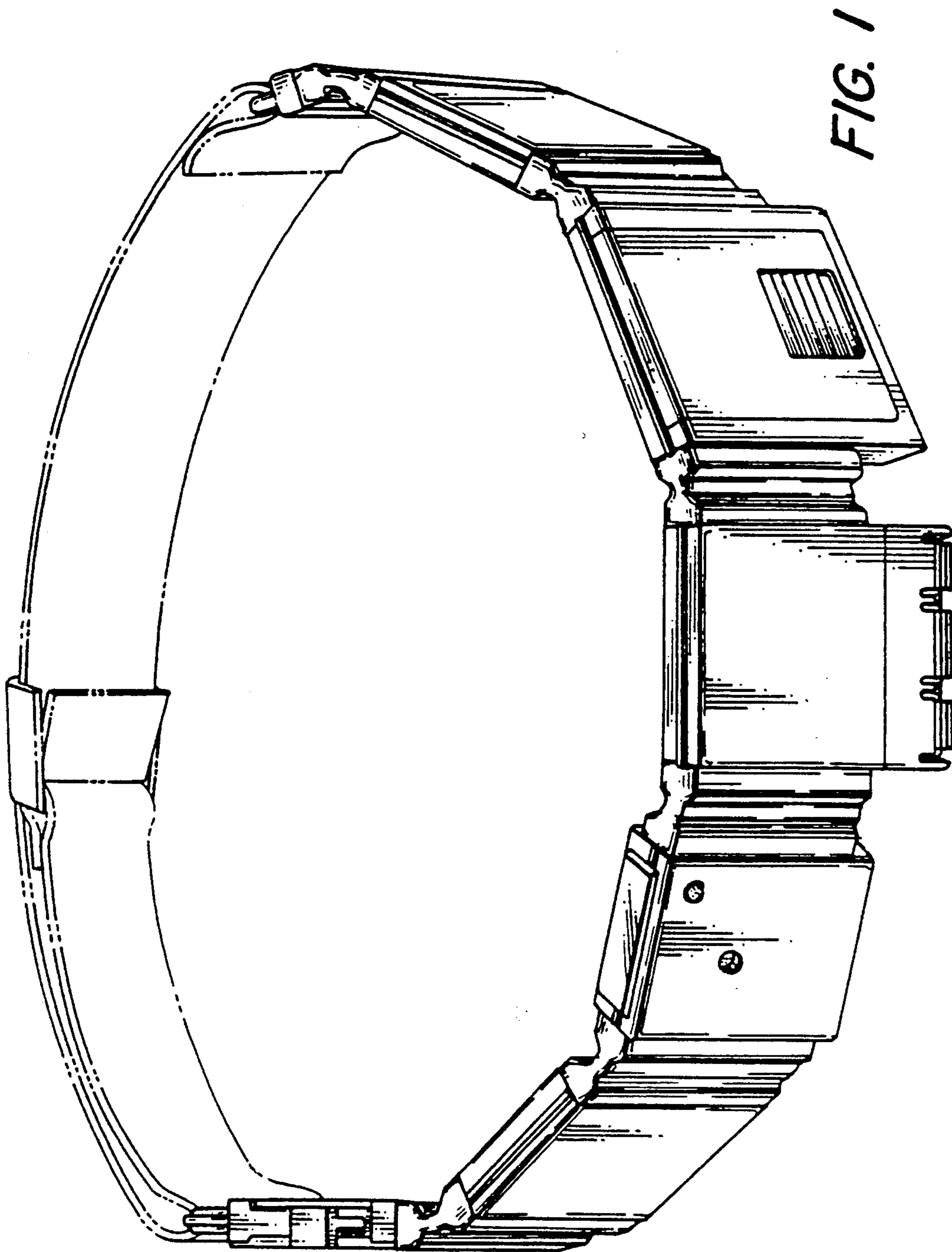
[57] **CLAIM**

The ornamental design for a combined portable cardiac and respiratory monitor, as shown and described.

DESCRIPTION

FIG. 1 is a perspective view of a combined portable cardiac and respiratory monitor showing my new design, the broken line showing is for illustrative purposes only and forms no part of the claimed design; FIG. 2 is a front elevational view thereof; FIG. 3 is a bottom plan view thereof; FIG. 4 is a rear elevational view thereof; FIG. 5 is a top plan view thereof; FIG. 6 is an end elevational view thereof; and FIG. 7 is an end elevational view thereof, opposite that shown in FIG. 6.





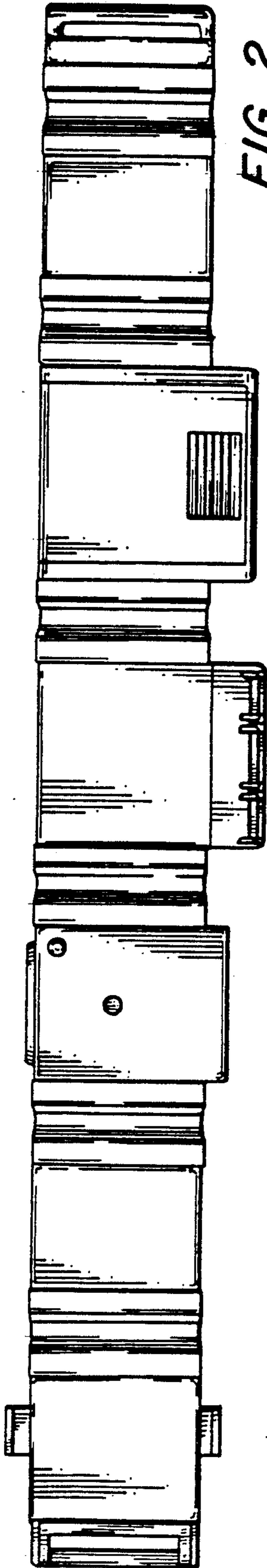


FIG. 2



FIG. 3

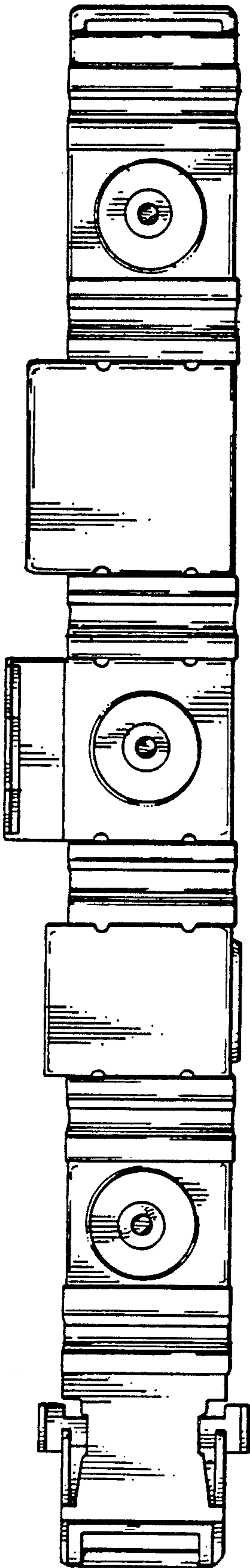


FIG. 4

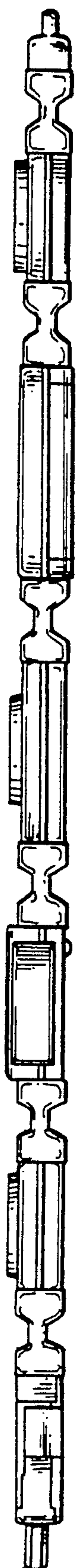


FIG. 5



FIG. 6



FIG. 7