

- [54] **DENTAL IMPRESSION TRAY FOR SMALL ANIMALS**
[76] **Inventor: Lloyd J. Mann, Medford P.O. Sta. 3 - P.O. Box 8503, Medford, Oreg. 97504**
[**] **Term: 14 Years**
[21] **Appl. No.: 267,913**
[22] **Filed: Nov. 7, 1988**
[52] **U.S. Cl. D24/10**
[58] **Field of Search D24/10-16; 433/1, 213, 214, 37, 34, 36, 38-39, 44**

[56] **References Cited**

U.S. PATENT DOCUMENTS

D. 212,848	12/1968	Westlund	D24/10
D. 260,811	9/1981	Kitchenman	D24/10
D. 278,274	4/1985	Levine	D24/10
4,459,107	7/1984	Weissman	433/213 X

OTHER PUBLICATIONS

Henry Schein Dental Catalog, 1982, 112th Ed., p. 55.

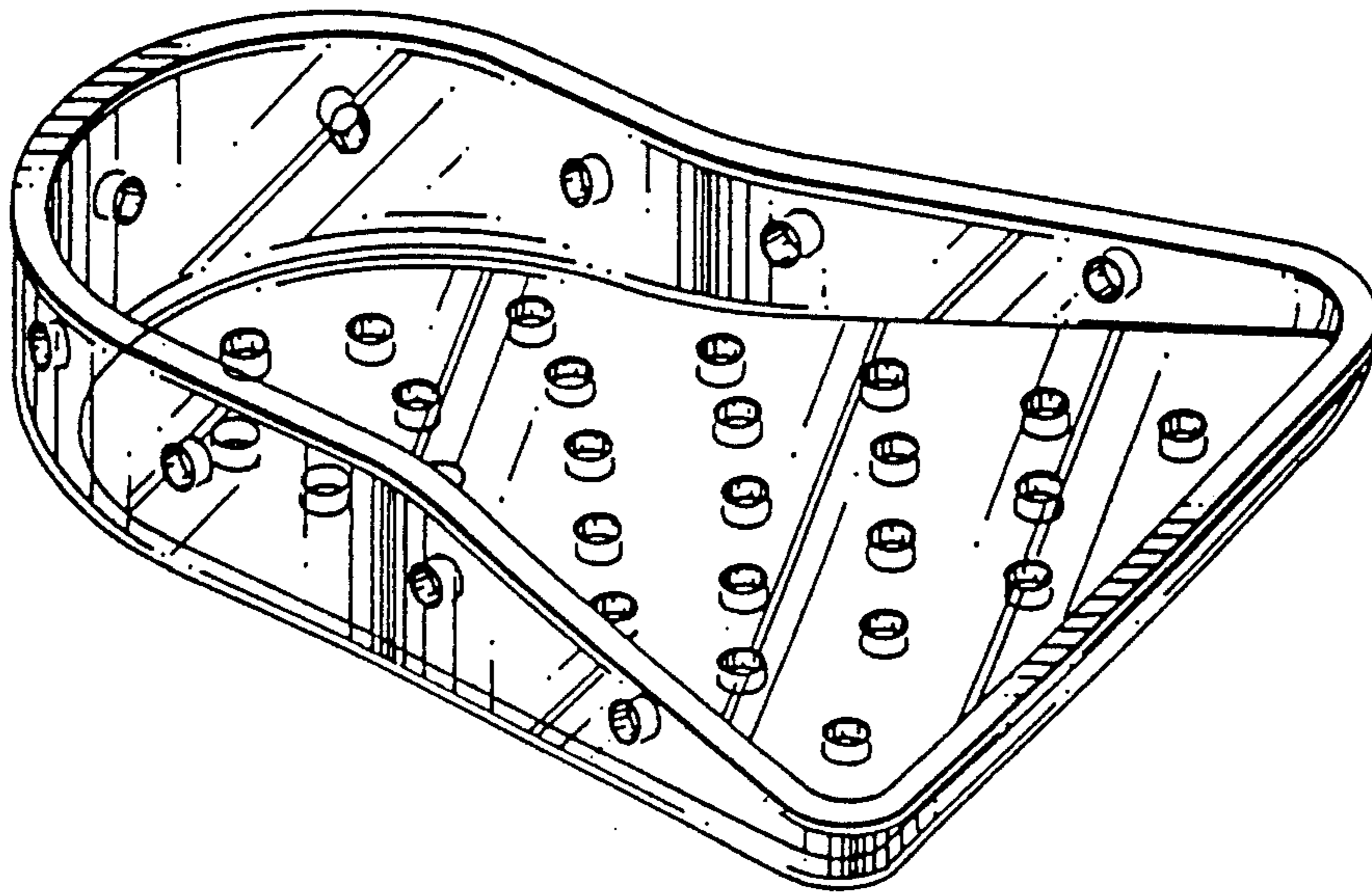
Primary Examiner—Susan J. Lucas
Assistant Examiner—M. H. Tung
Attorney, Agent, or Firm—James F. Duffy

[57] **CLAIM**

The ornamental design for dental impression tray for small animals, as shown and described.

DESCRIPTION

FIG. 1 is a perspective view of a dental impression tray for small animals showing our new design; FIG. 2 is a bottom plan view thereof; FIG. 3 is a top plan view thereof; FIG. 4 is a front elevational view thereof; FIG. 5 is a rear elevational view thereof; FIG. 6 is a side elevational view thereof, the opposite side being a mirror image thereof.



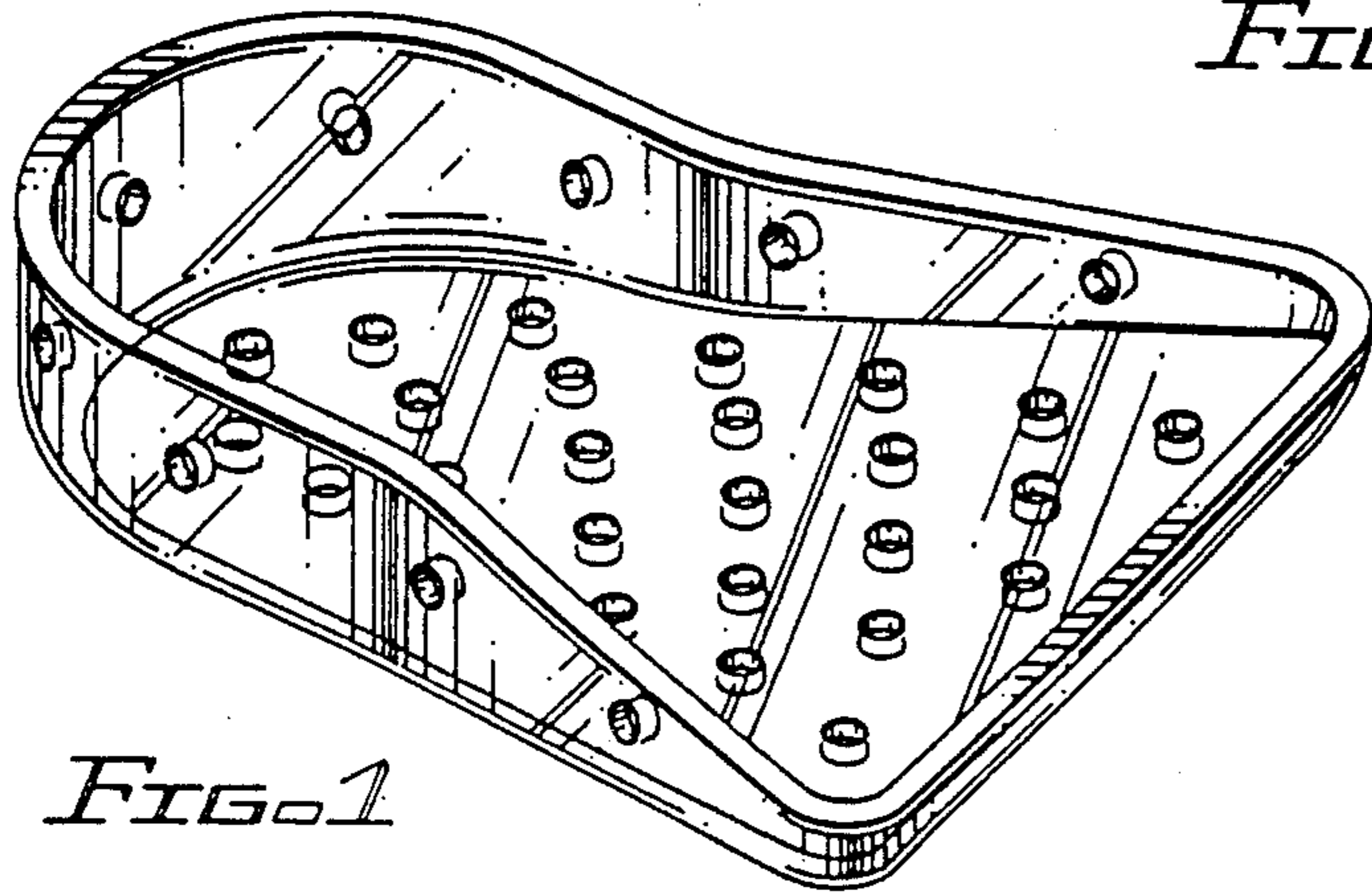


FIG. 1

FIG. 2

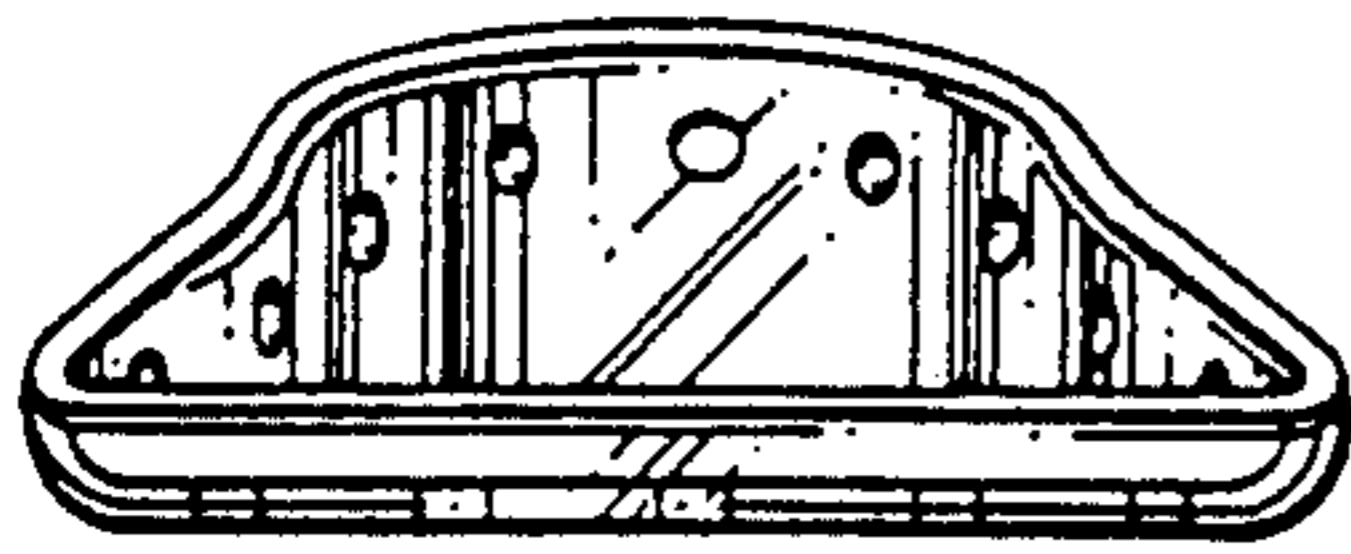
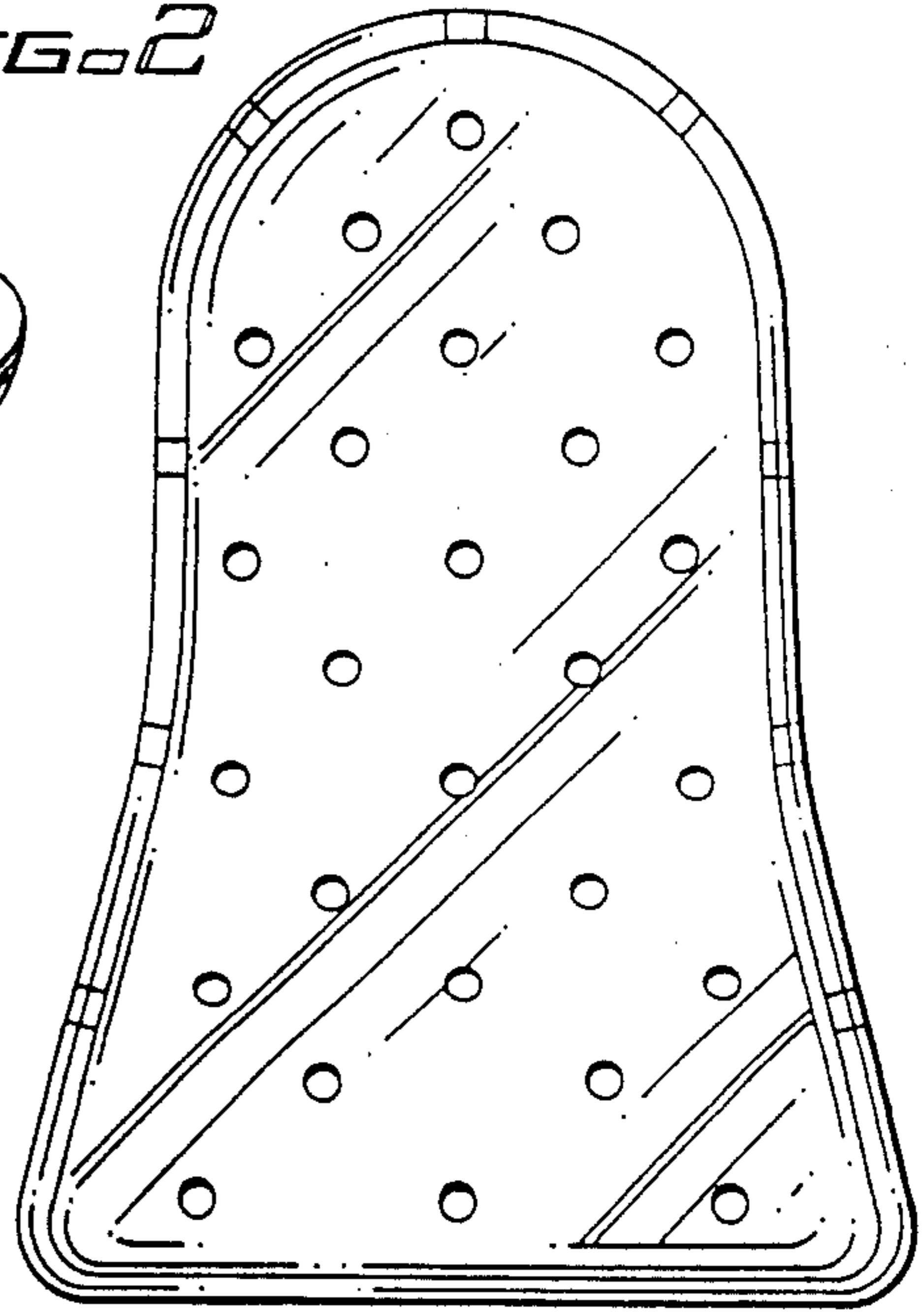


FIG. 4

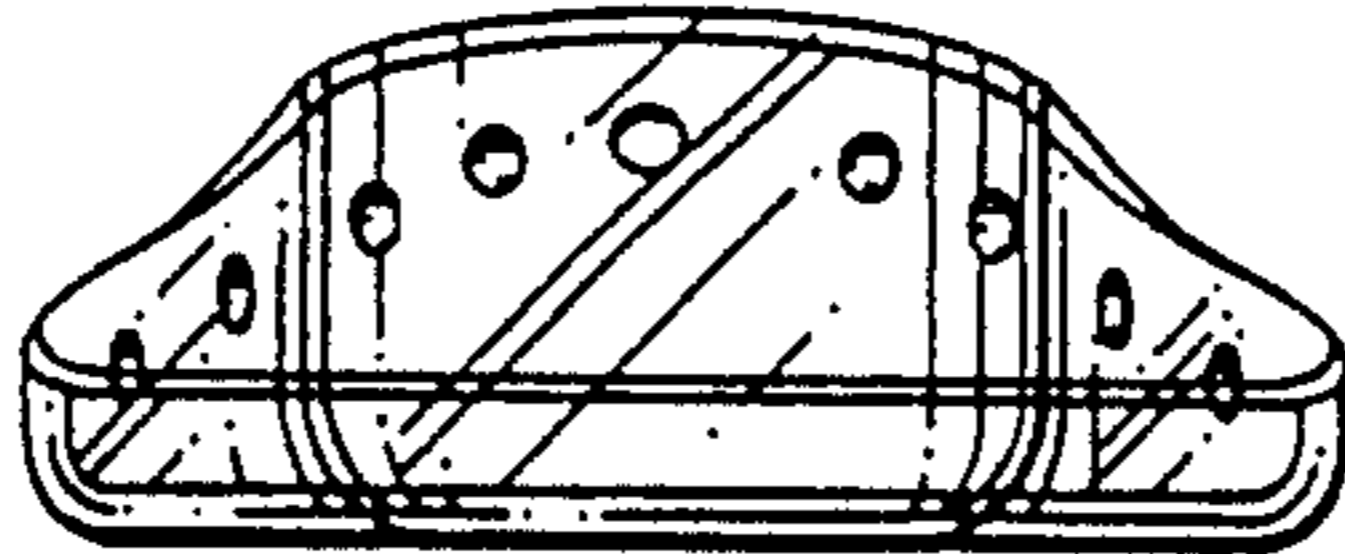


FIG. 5

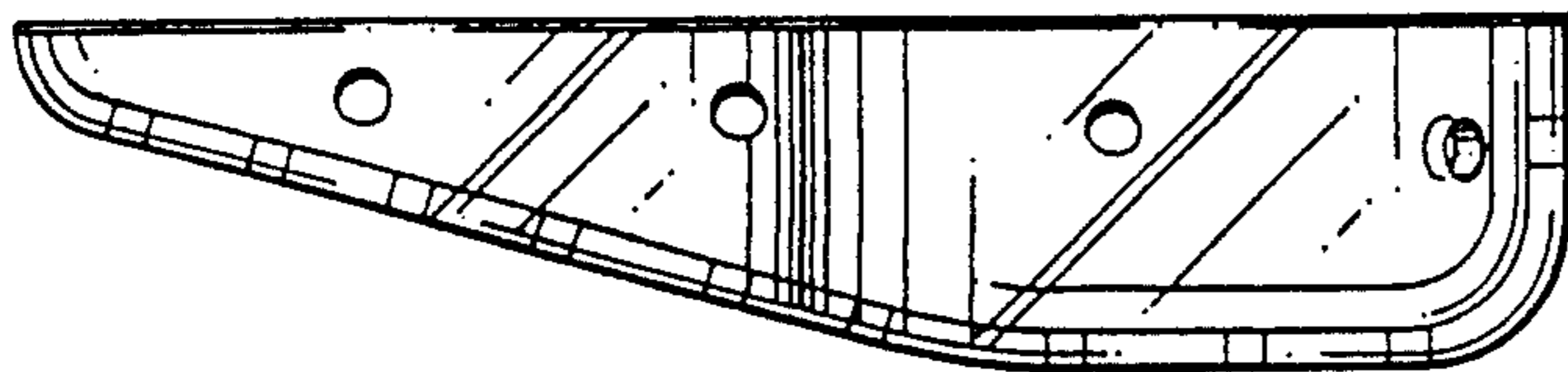


FIG. 6

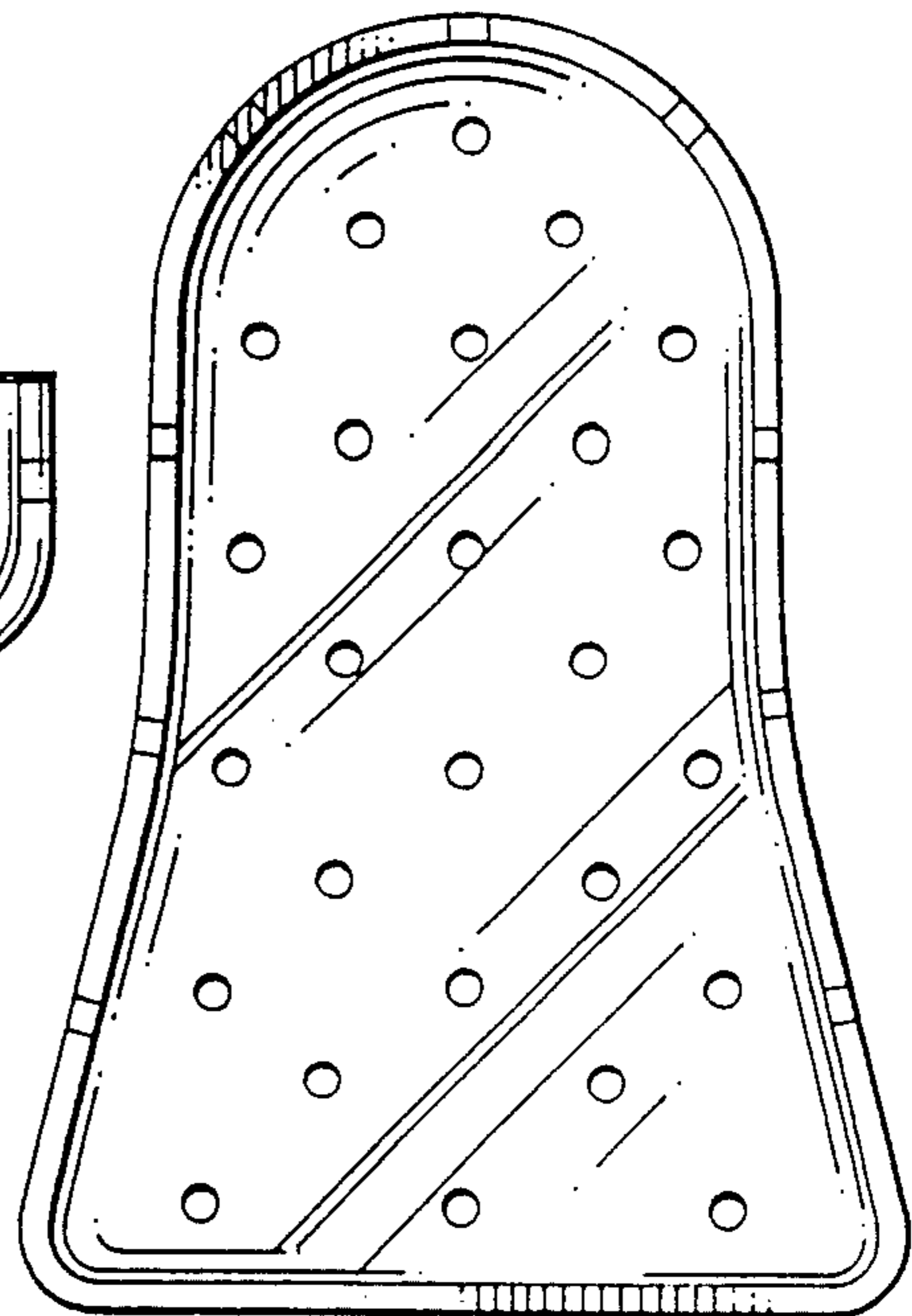


FIG. 3