

[54] **MAMMOGRAPHY UNIT**

[75] **Inventor: Päivi Korvenmaa, Helsinki, Finland**

[73] **Assignee: Instrumentarium Corp., Finland**

[\*\*] **Term: 14 Years**

[21] **Appl. No.: 112,131**

[22] **Filed: Oct. 22, 1987**

[30] **Foreign Application Priority Data**

Apr. 29, 1987 [FI] Finland ..... 357/87  
[52] **U.S. Cl.** ..... **D24/2**  
[58] **Field of Search** ..... **D24/2; 378/37, 153,**  
378/155, 180

[56]

**References Cited**

**U.S. PATENT DOCUMENTS**

3,365,575 1/1968 Strax ..... 378/37  
3,609,355 9/1971 Schwarzer ..... 378/37  
4,599,738 7/1986 Panetta et al. .... 378/37

*Primary Examiner*—Stella Reid

*Attorney, Agent, or Firm*—Andrus, Scales, Starke & Sawall

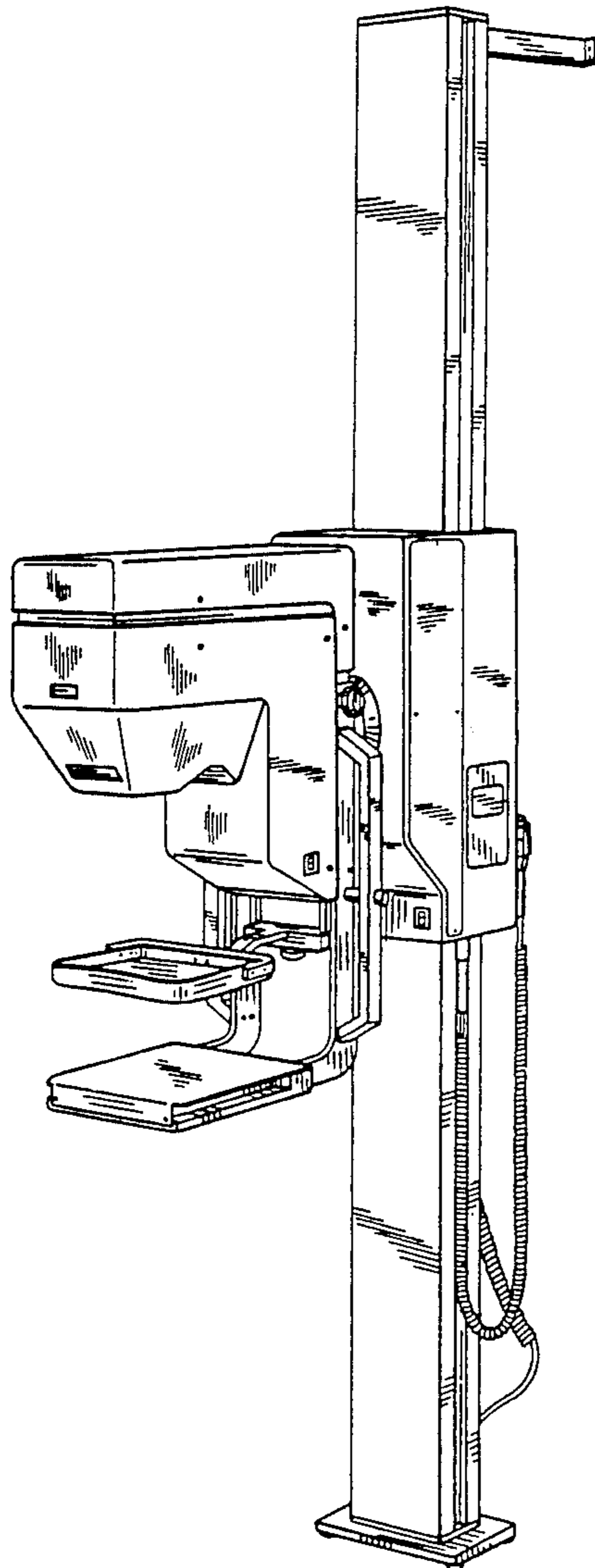
[57]

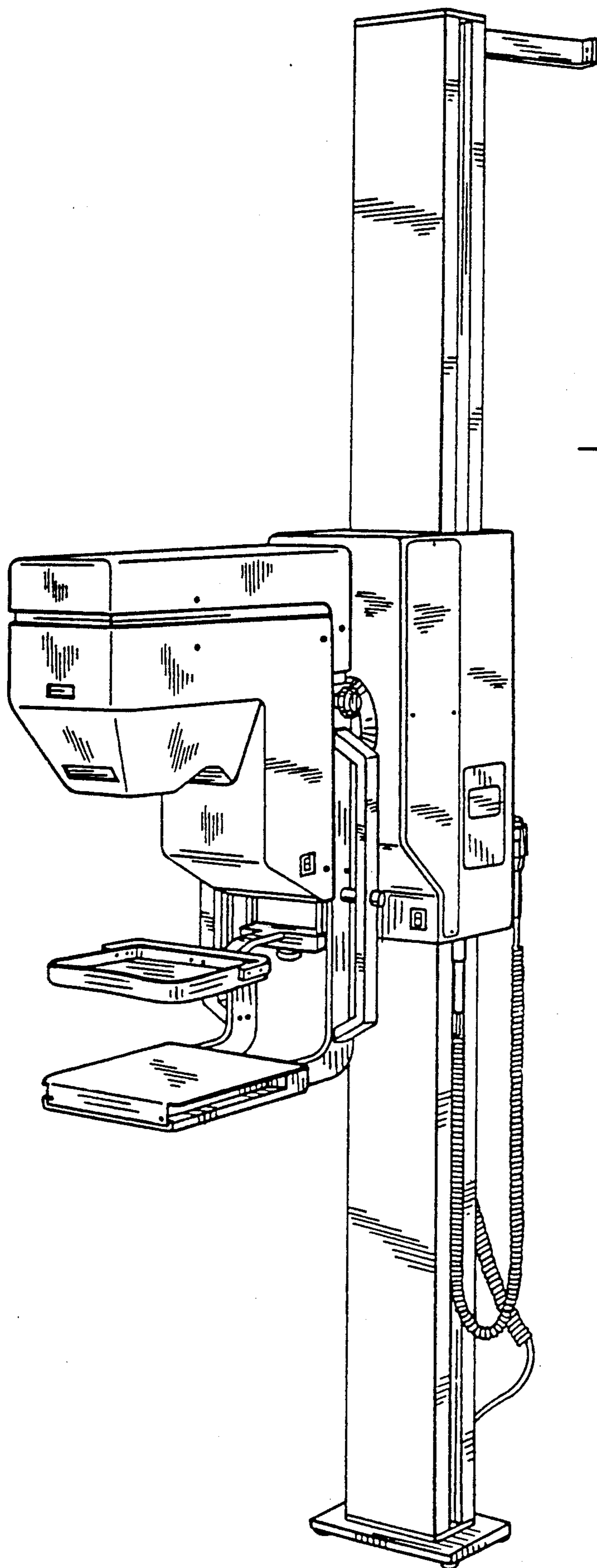
**CLAIM**

The ornamental design for a mammography unit, as shown and described.

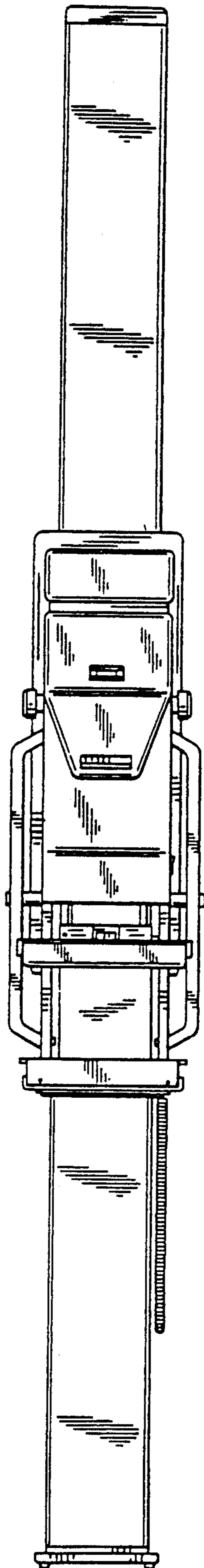
**DESCRIPTION**

FIG. 1 is a perspective view of a mammography unit, showing my new design;  
FIG. 2 is a front elevational view thereof;  
FIG. 3 is a right side elevational view thereof;  
FIG. 4 is a left side elevational view thereof; and  
FIG. 5 is a rear elevational view thereof.

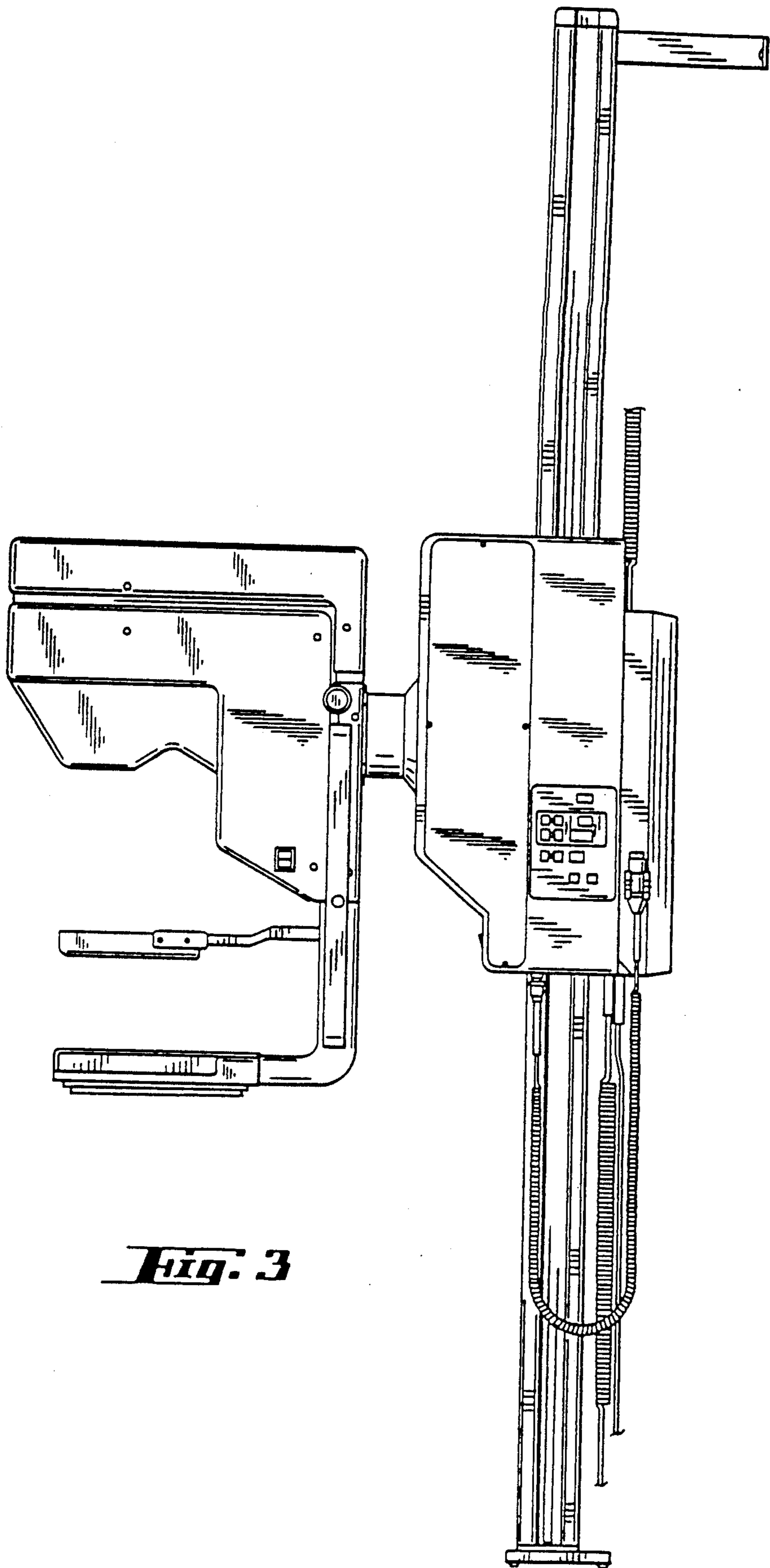




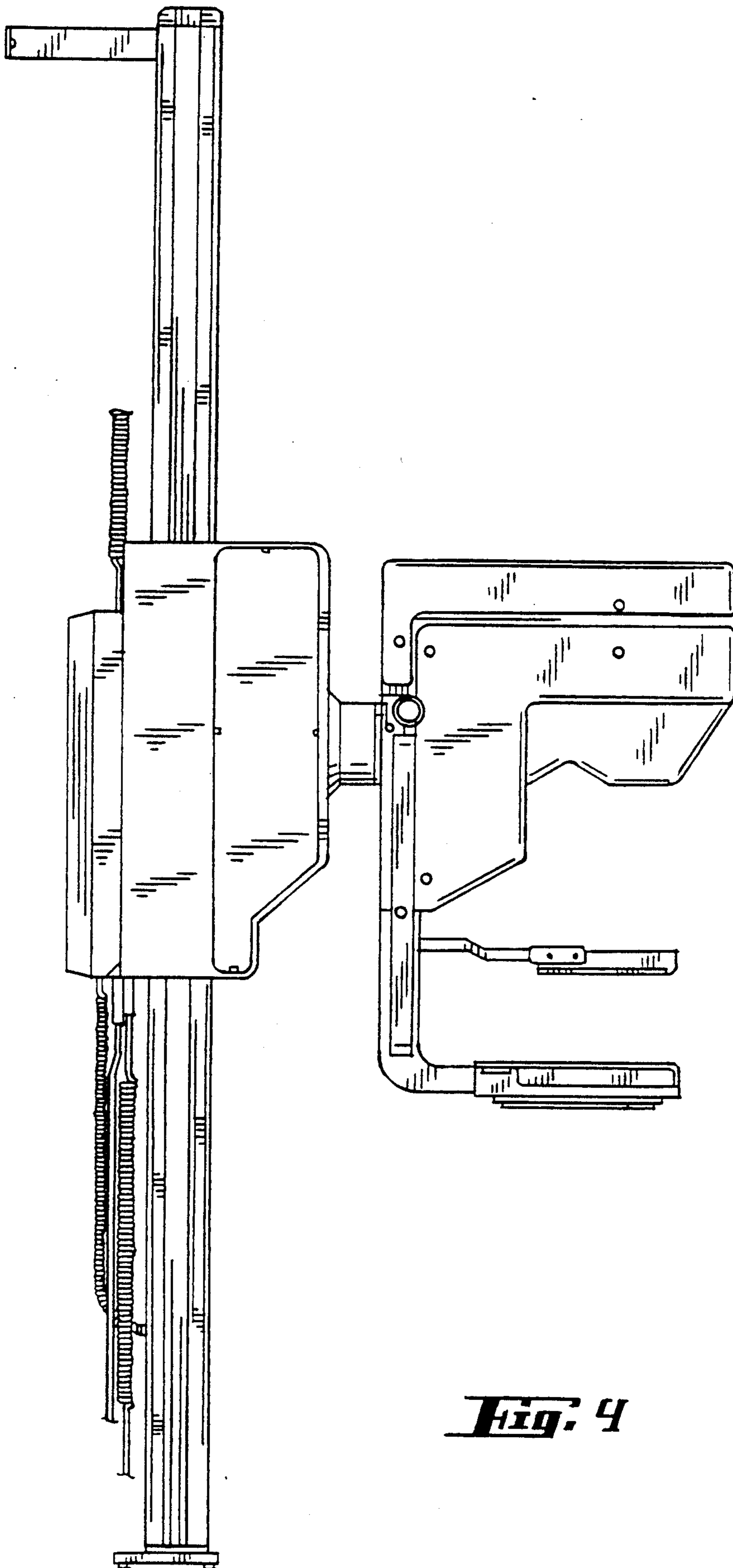
***Fig. 1***



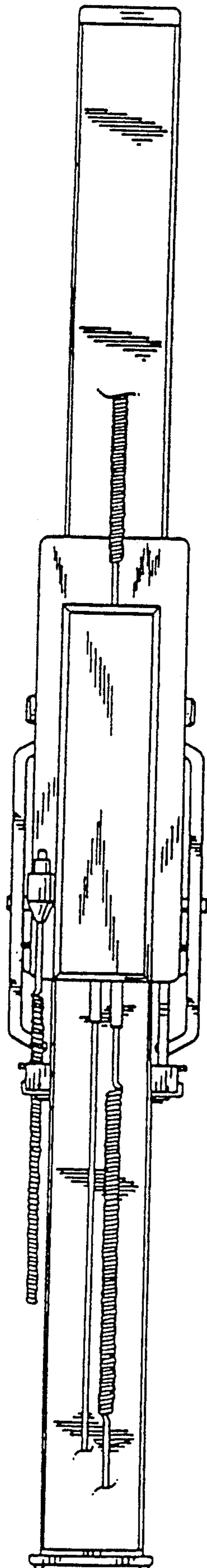
**Fig. 2**



**Fig. 3**



**Fig. 4**



**Fig. 5**