

[54] COMBINED CEILING FAN AND LIGHT

- [76] Inventor: Robynn M. Cook, 358 S. Marengo Ave., #2, Pasadena, Calif. 91101
[**] Term: 14 Years
[21] Appl. No.: 393,758
[22] Filed: Aug. 14, 1989
[52] U.S. Cl. D23/377
[58] Field of Search D23/377, 379; D26/59, D26/72, 81, 84, 85, 88, 91; 416/247 R, 246, 5

[56] References Cited

U.S. PATENT DOCUMENTS

D. 73,675	10/1927	Solomon	D26/88
D. 167,080	6/1952	Huegel	D26/88
D. 265,502	7/1982	Kearnes	D23/379
D. 298,454	11/1988	Clyde-Mason	D26/59
D. 303,425	9/1989	Sonneman	D23/377
D. 307,641	5/1990	De'Armond	D26/85
4,782,213	11/1988	Teal	416/5
4,796,166	1/1989	Geenberg	362/96

OTHER PUBLICATIONS

Hunter Fan Co.: Cat., ©1987, p. 10, Studio Series Ceiling Fan, top left side of page.
Casablanca Fan Co. Cat., p. 33, Ceiling Fans L and M, lower left and right sides of page, respectively.
Popular Mechanics, Apr. 1976, p. 103, Ceiling Fan—bottom left side of page.

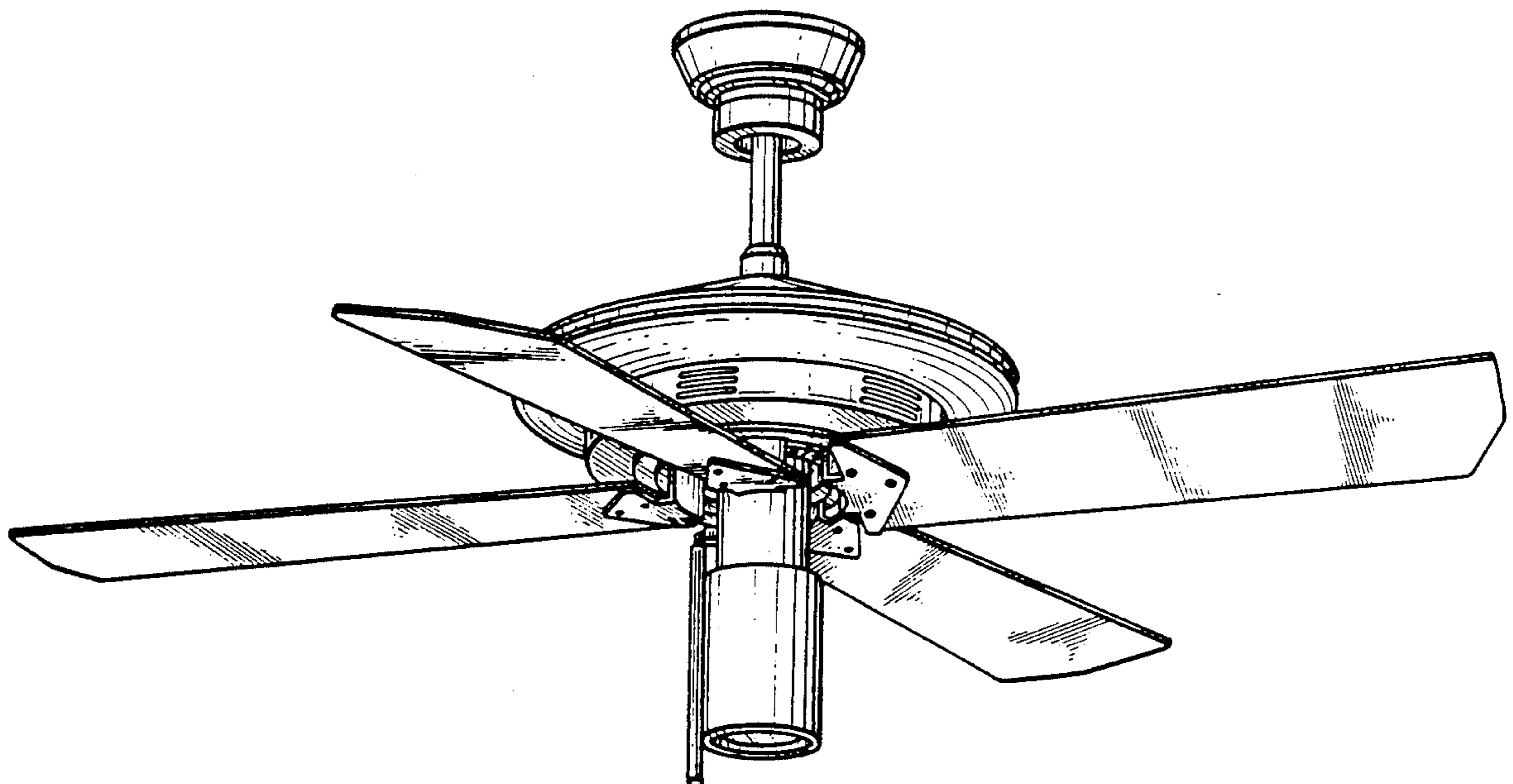
Primary Examiner—James M. Gandy
Assistant Examiner—Lisa Lichtenstein

[57] CLAIM

The ornamental design for a combined ceiling fan and light, as shown and described.

DESCRIPTION

FIG. 1 is a top plan view of a combined ceiling fan and light, showing my new design;
FIG. 2 is a bottom plan view thereof;
FIG. 3 is a side elevation view thereof, the opposite side being a mirror image of that shown; and
FIG. 4 is a bottom perspective view thereof.
Two of the fan blades have been broken away in FIGS. 1 and 2 for convenience of illustration.



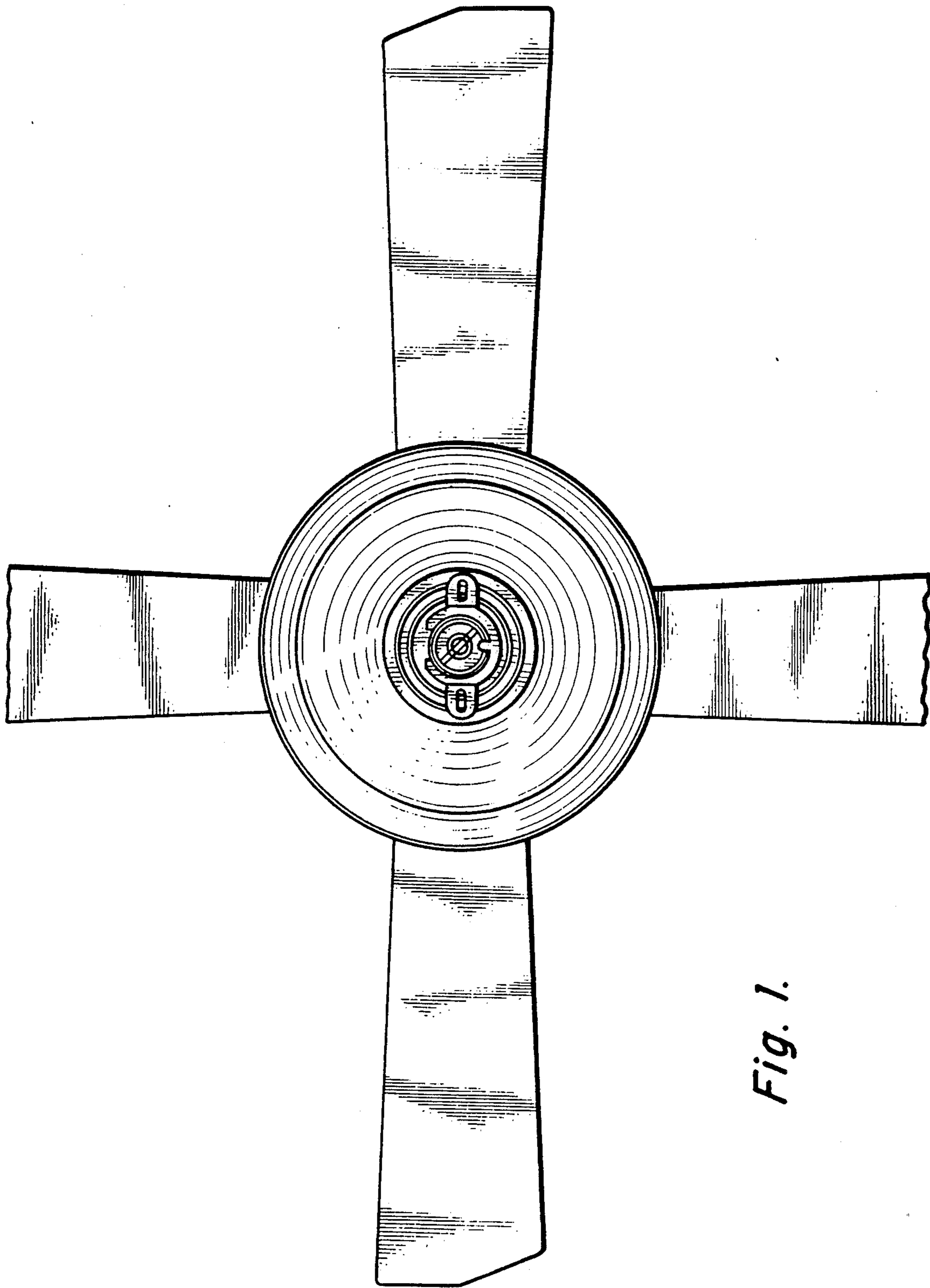


Fig. 1.

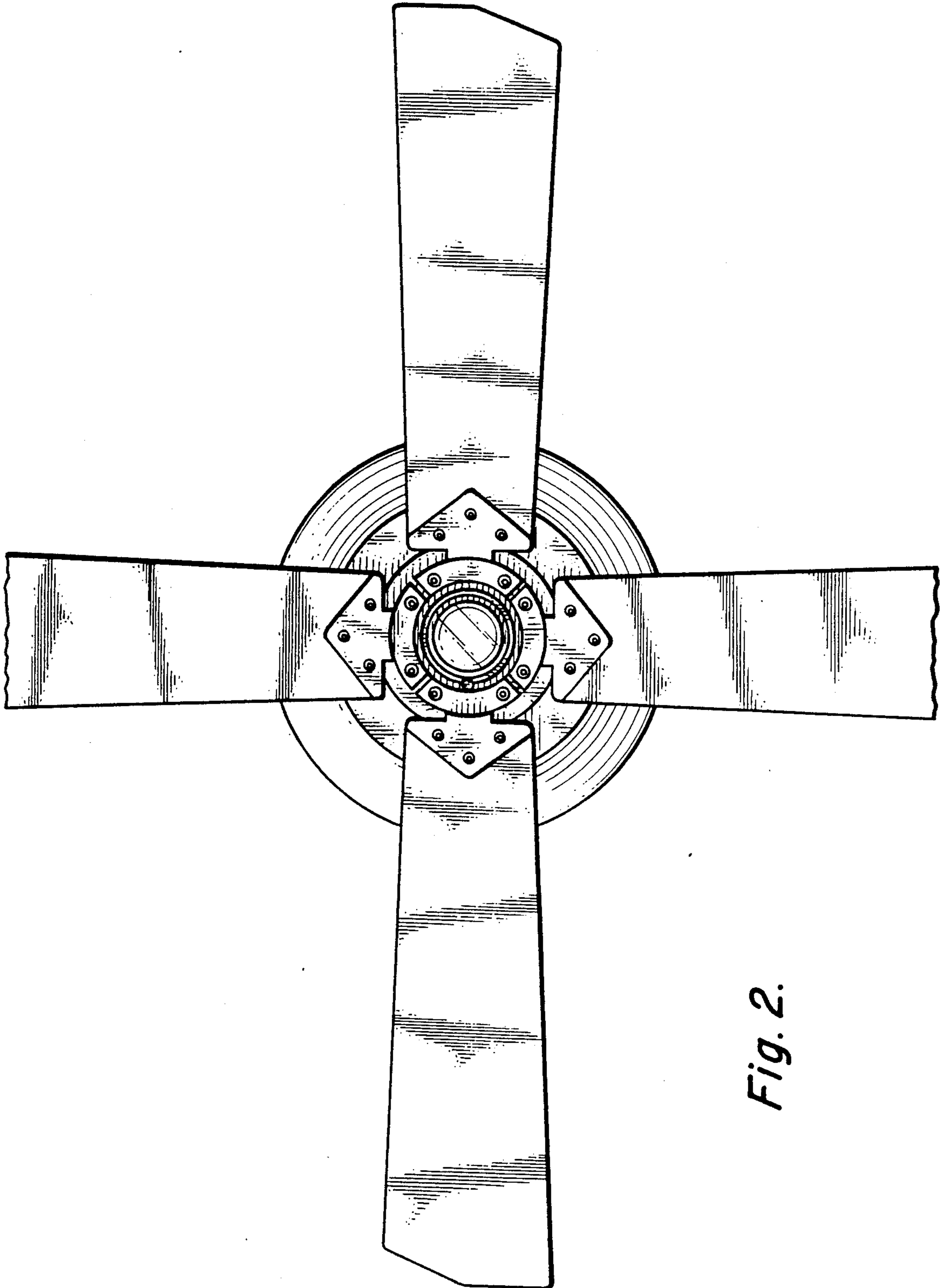


Fig. 2.

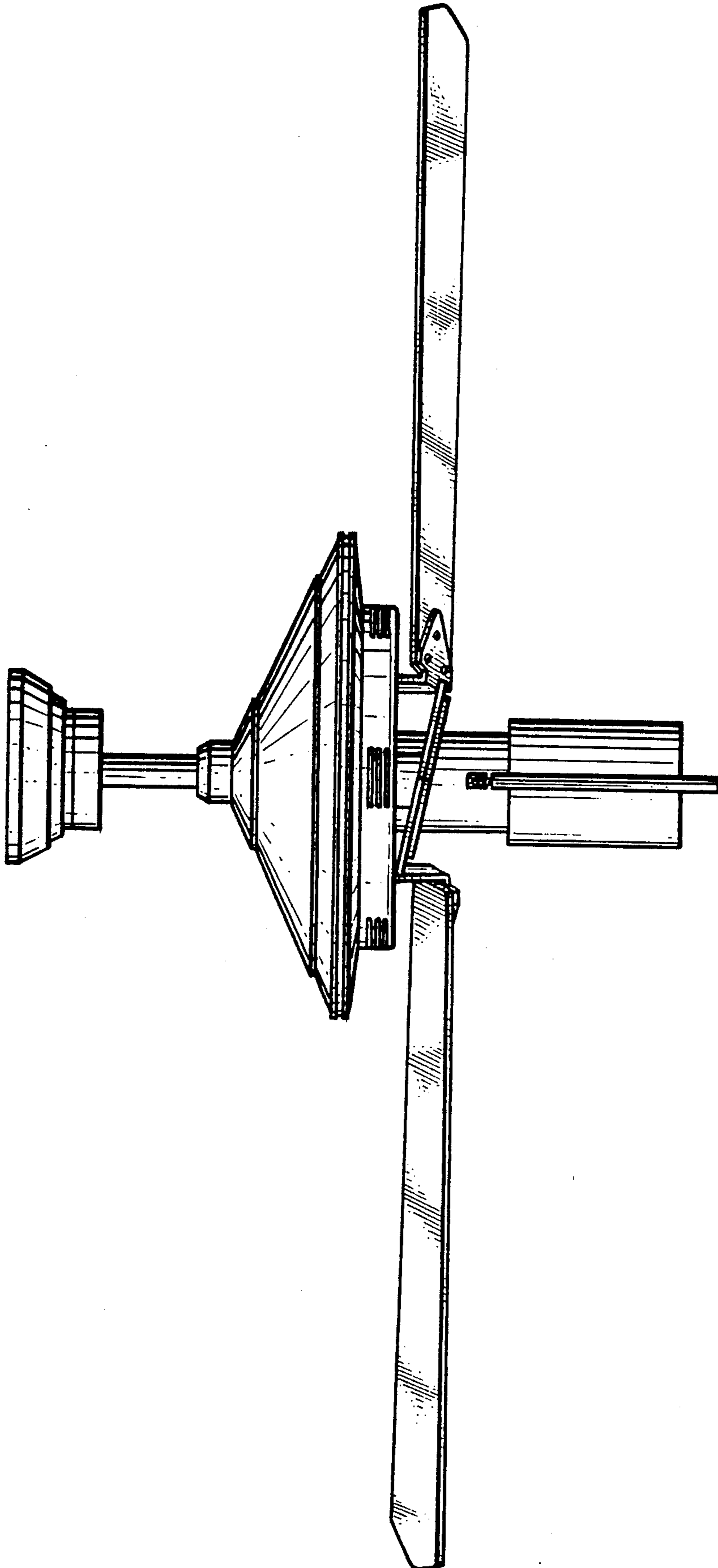


Fig. 3.

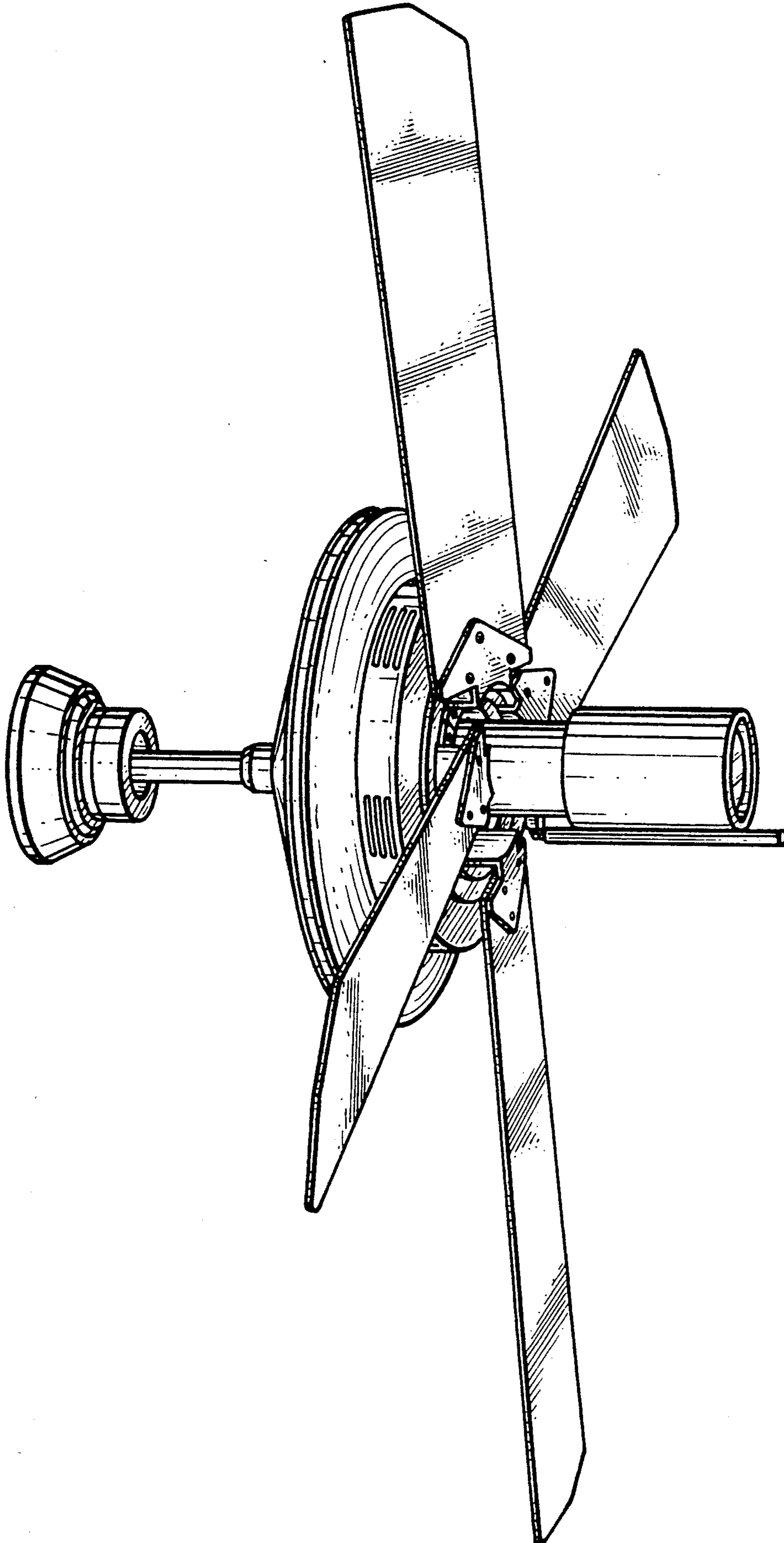


Fig. 4.