

[54] RANGE HOOD FOR MODULAR HOUSING

[75] Inventors: Thomas W. Fleming, Van Nuys; Gary D. Rose, Anaheim, both of Calif.

[73] Assignee: Jensen General Corp., Los Angeles, Calif.

[\*\*] Term: 14 Years

[21] Appl. No.: 208,565

[22] Filed: Jun. 20, 1988

[52] U.S. Cl. .... D23/372

[58] Field of Search ..... D23/372, 324, 373, 385; 126/299 D

[56] References Cited

U.S. PATENT DOCUMENTS

2,807,994	10/1957	Bernstein	.....	D23/372
2,962,955	12/1960	Bernstein	.....	D23/372
2,993,428	7/1961	Wermager	.....	126/299 D
3,098,423	7/1963	Giannini	.....	126/299 D
4,133,300	1/1979	Burton, Jr. et al.	.....	126/299 D
4,266,528	5/1981	Barnhart et al.	.....	126/299 D
4,766,881	8/1988	Pax	.....	126/299 D

FOREIGN PATENT DOCUMENTS

1297543	5/1962	France	.....	126/299 D
80440	4/1987	Japan	.....	126/299 D

OTHER PUBLICATIONS

American Builder, Oct. 1959, p. 81, Dual-Blower Hood Combination, bottom left side of page.

Philip Carey Mfg. Co., Miami-Carey Division, Adver-

tising Brochure, p. 7, Coverage hoods 1 and 2, lower left sides of page.

Primary Examiner—James M. Gandy  
Assistant Examiner—Lisa Lichtenstein  
Attorney, Agent, or Firm—Harlan P. Huebner

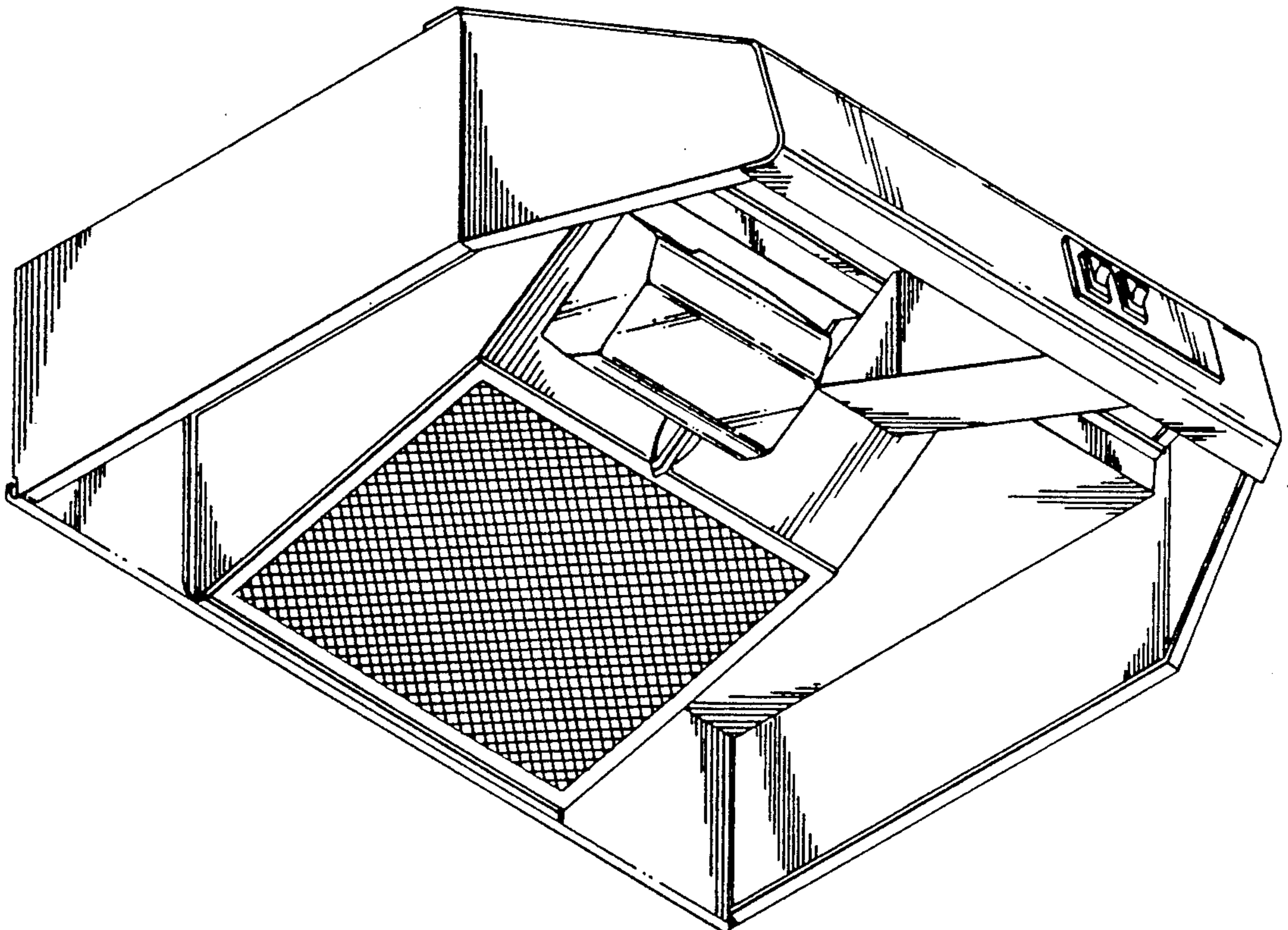
[57] CLAIM

The ornamental design for a range hood for modular housing, as shown and described.

DESCRIPTION

FIG. 1 is a bottom front perspective view of a range hood for modular housing, showing our new design; FIG. 2 is a top plan view thereof; FIG. 3 is a front elevation view thereof; FIG. 4 is a right side elevation view thereof; FIG. 5 is a left side elevation view thereof; FIG. 6 is a bottom plan view thereof; FIG. 7 is a rear elevation view thereof; FIG. 8 is a top plan view of a range hood for modular housing, showing a second embodiment of our new design; FIG. 9 is a rear elevation view of FIG. 8; and FIG. 10 is a top plan view of a range hood for modular housing, showing a third embodiment of our new design.

The bottom, front, and sides of the second and third embodiments and rear of the third embodiment of the range hood are understood to be the same as the bottom, front, and sides of the first embodiment and rear of the first embodiment of the range hood as shown in FIGS. 2, 3, 4, 5 and 7 respectively.



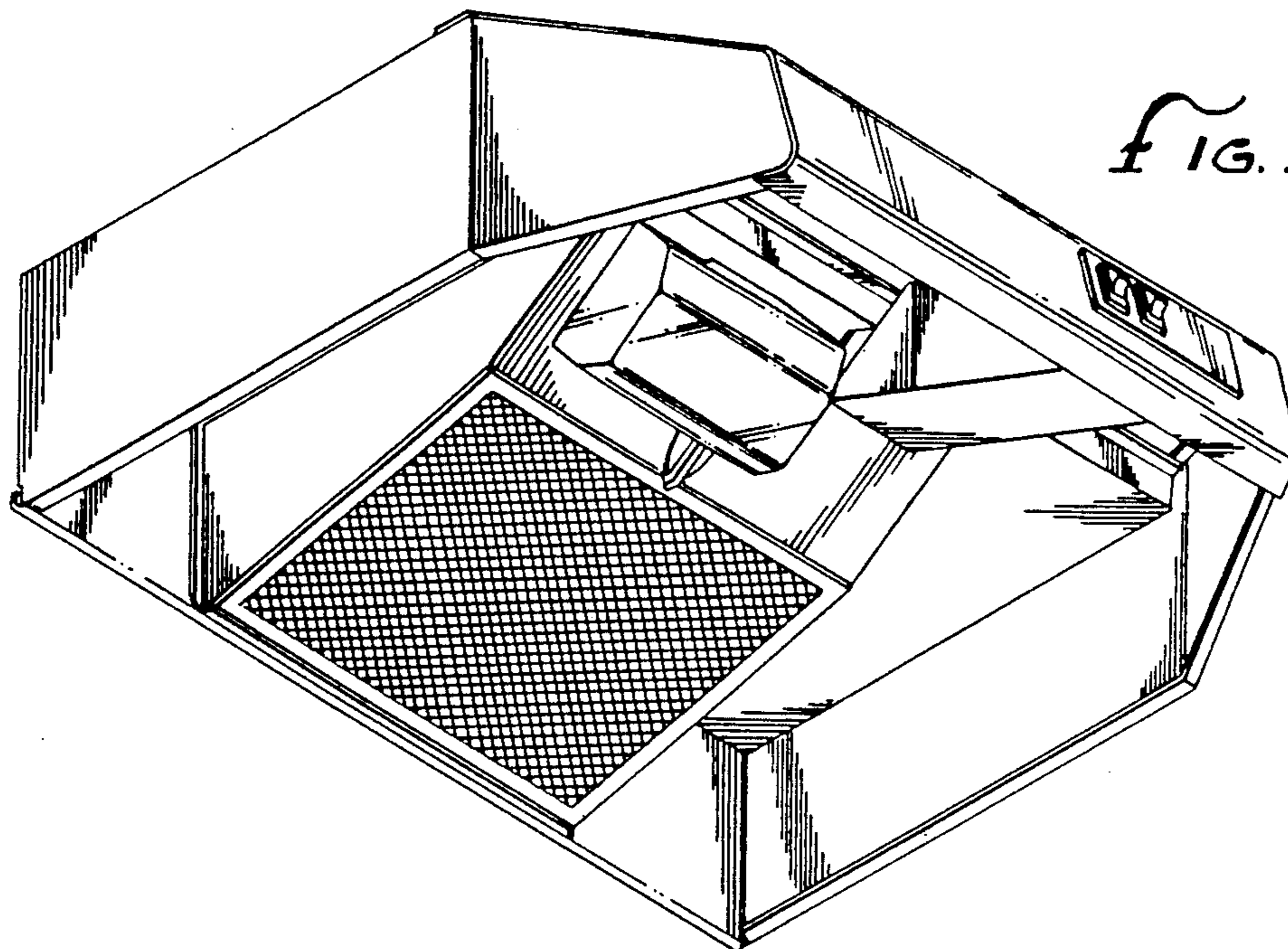


FIG. 1.

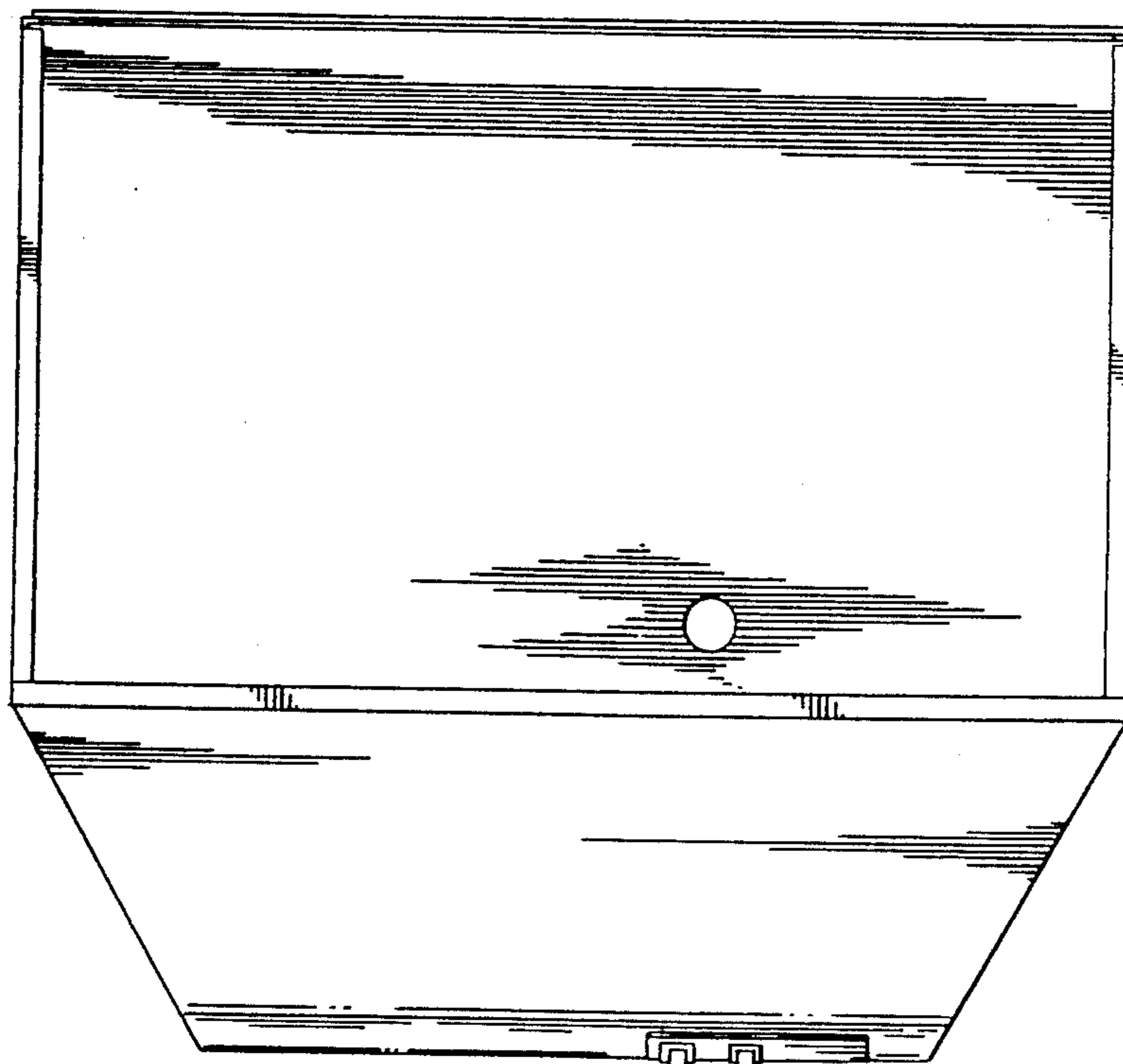


FIG. 2.

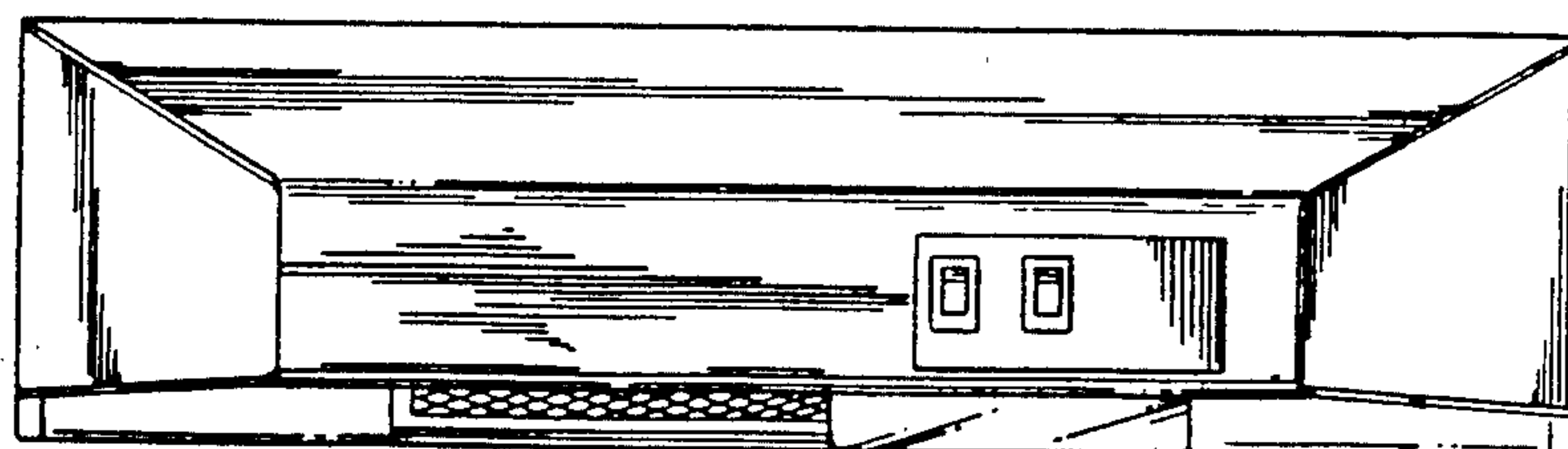


FIG. 3.



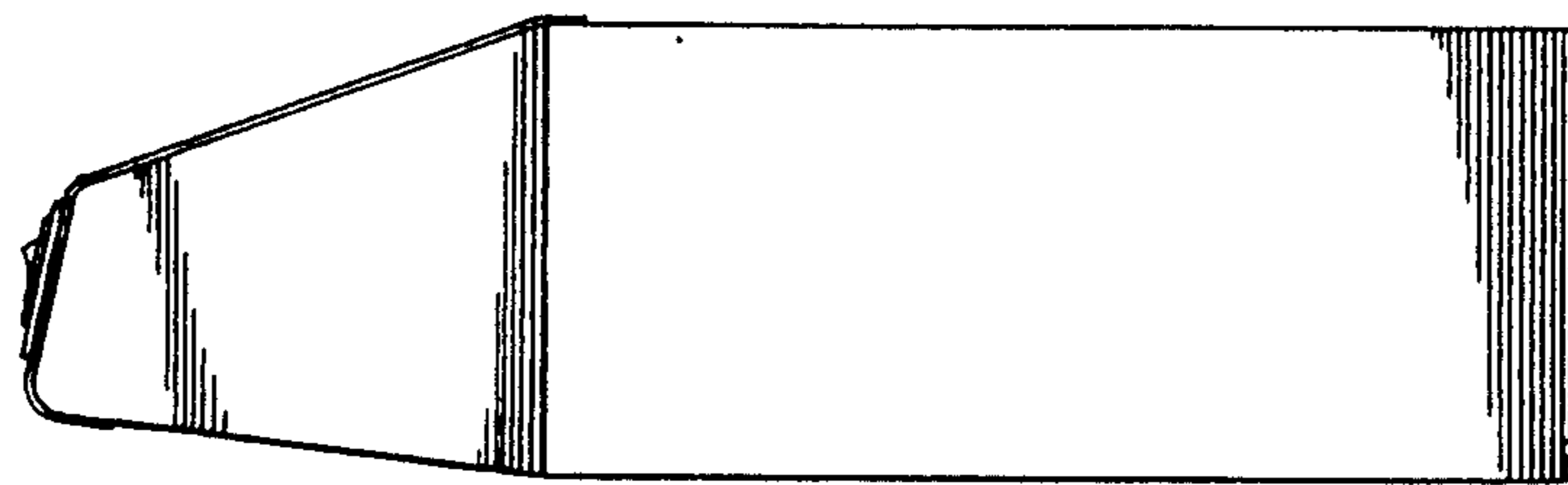


FIG. 4.

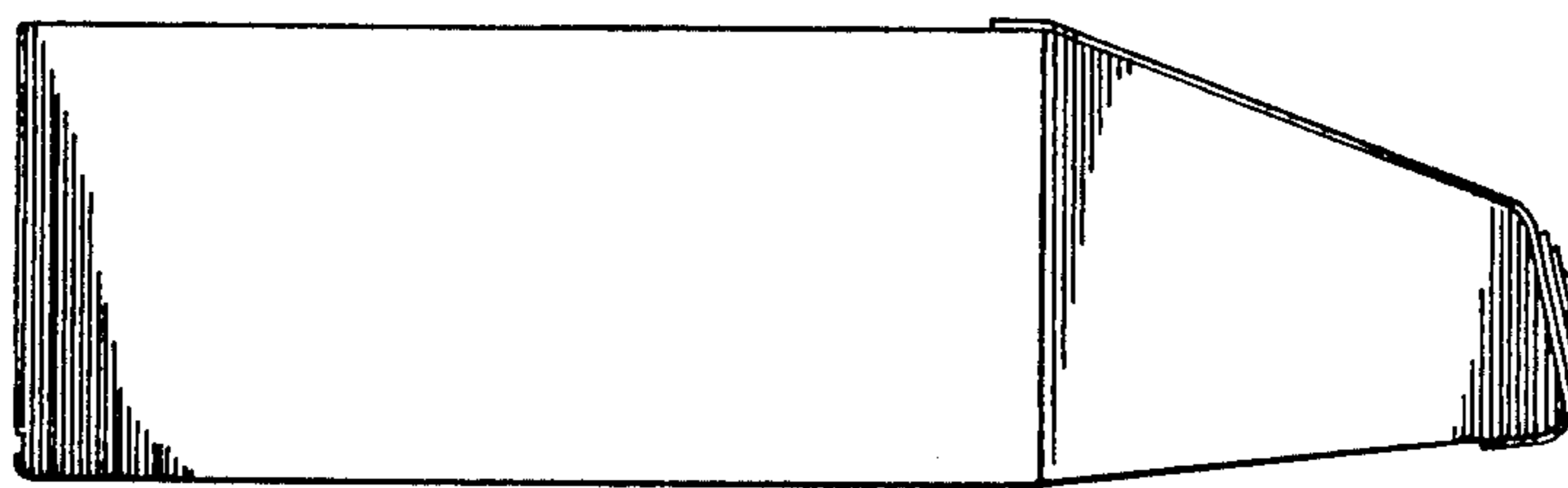


FIG. 5.

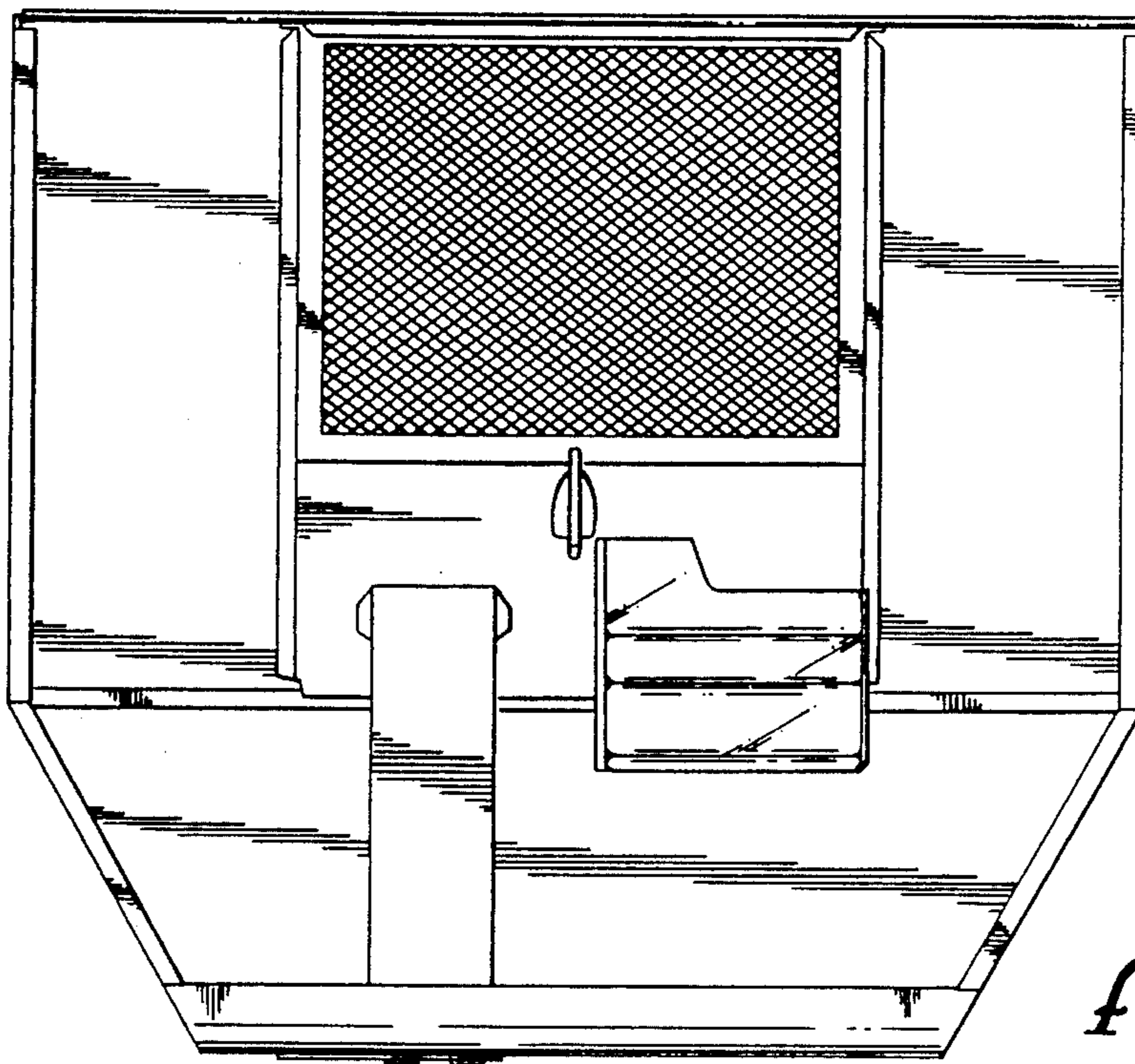


FIG. 6

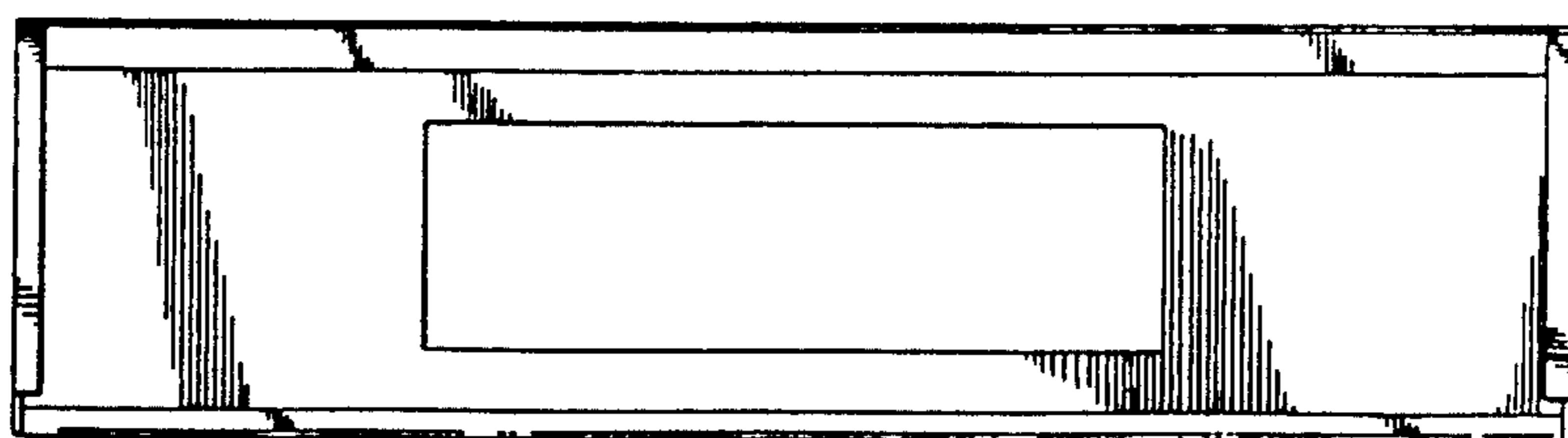
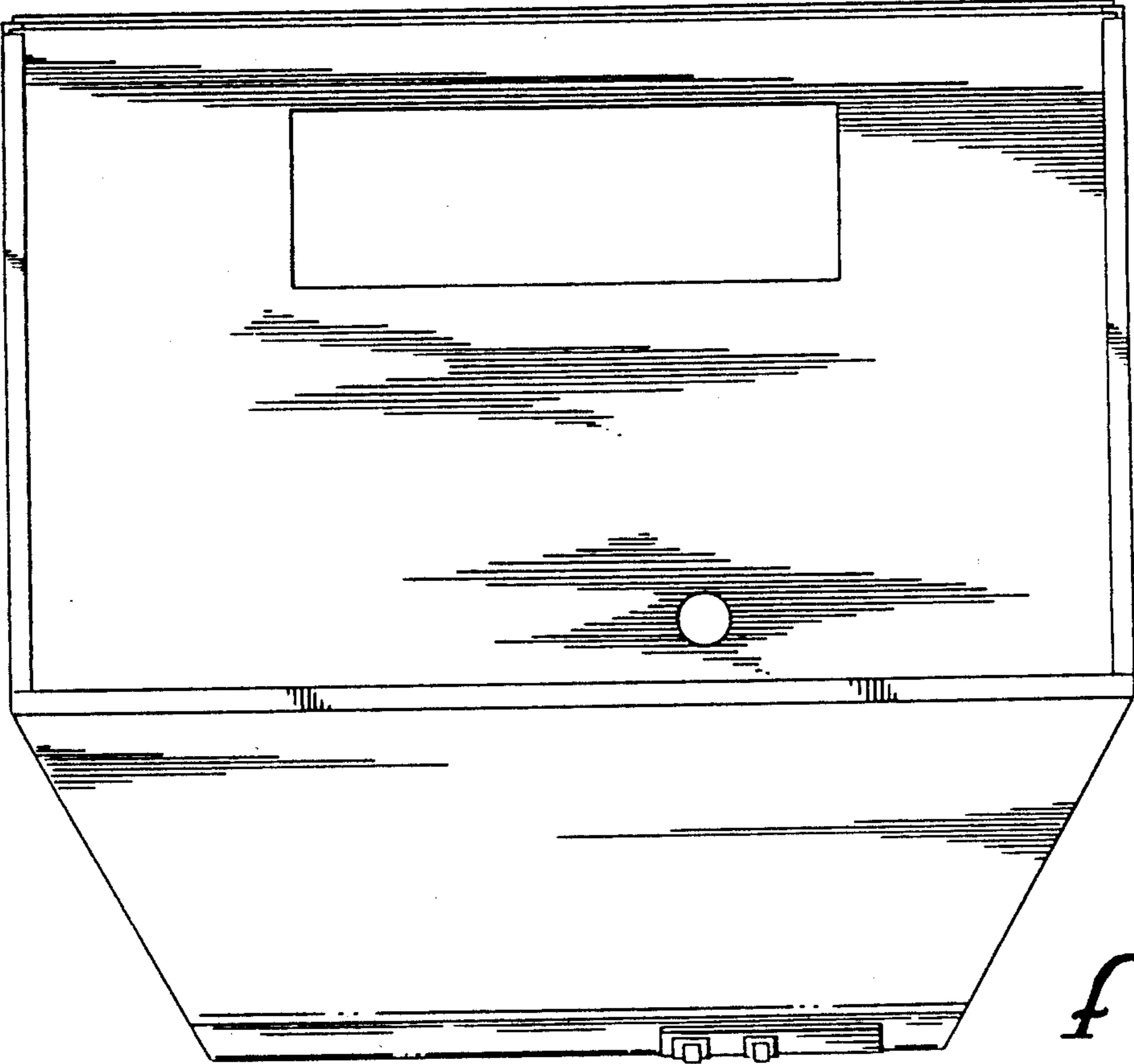
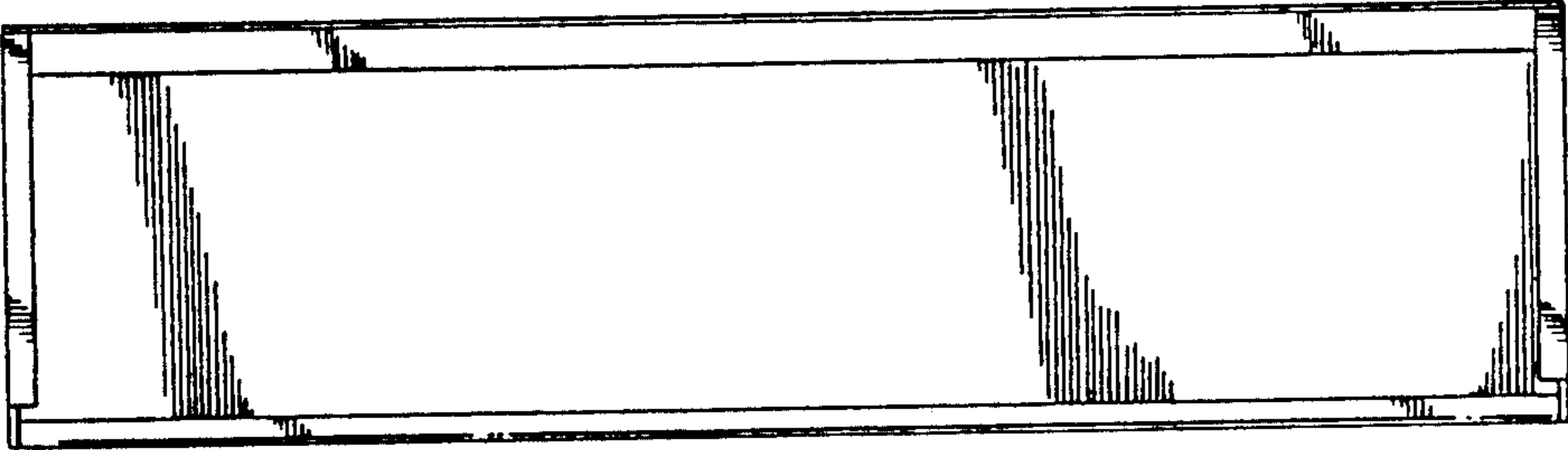


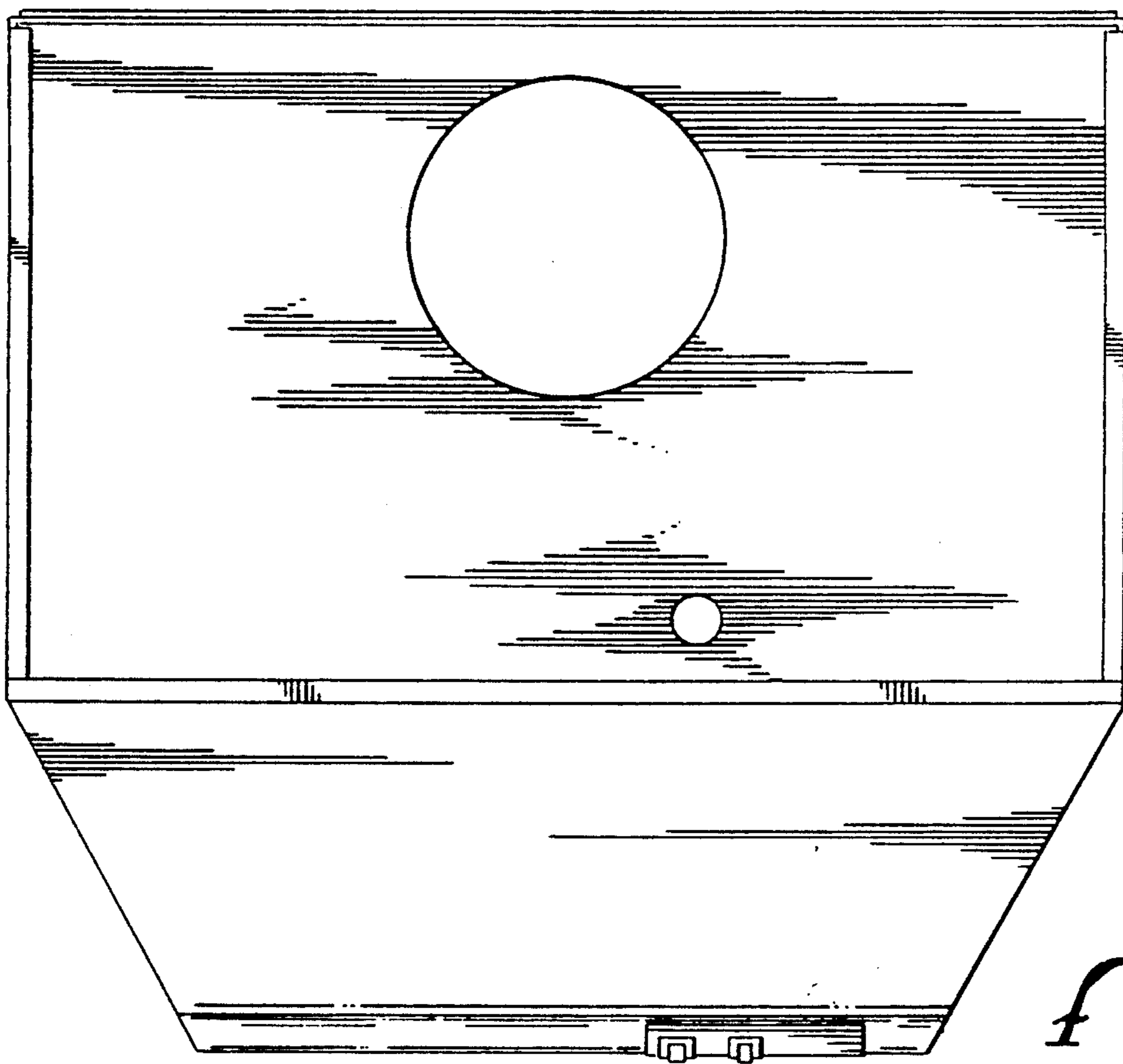
FIG. 7.



*FIG. 8.*



*FIG. 9.*



*FIG. 10.*