

[54] FAUCET

[75] Inventors: Andreas Haug; Thomas Schönherr, both of Stuttgart, Fed. Rep. of Germany

[73] Assignee: Hans Grohe BmgH & Co. KG, Fed. Rep. of Germany

[**] Term: 14 Years

[21] Appl. No.: 237,879

[22] Filed: Aug. 29, 1988

[30] Foreign Application Priority Data

Feb. 29, 1988 [DE] Fed. Rep. of Germany MR 1341

[52] U.S. Cl. D23/238

[58] Field of Search D23/238-243; 137/801, 625.17

[56] References Cited

U.S. PATENT DOCUMENTS

D. 254,088	1/1980	Haug	D23/252
D. 291,116	7/1987	Haug et al.	D23/255
D. 291,232	8/1987	Haug et al.	D23/238
D. 291,238	8/1987	Haug et al.	D23/252
D. 291,239	8/1987	Haug et al.	D23/252
D. 293,599	1/1988	Bergmann et al.	D23/238
4,705,072	11/1987	Egli	137/625.17

OTHER PUBLICATIONS

Eram Brochure Entitled "La Creation A SA Source", Four pages, (date unknown).

Ger. Bruse KG Brochure Entitled "Einhand-Mischer", Four pages, (3-1985).

Egro AG Brochure Entitled "Mixa", Four pages, (date unknown).

Goswin Brochure Entitled "Optima", Two pages, (date unknown).

Arwa Brochure Entitled "Arwa-Trend GL", Two pages, (date unknown).

Arwa Brochure Entitled "Mischen Sie Mit Arwa", Two pages, (date unknown).

Meloh Armaturen GmbH Brochure Entitled "Kuchenarmatur 409", One page, 3/27/1985.

Primary Examiner—James R. Largen

Assistant Examiner—Demetrius Reynolds

Attorney, Agent, or Firm—Eckert Seamans Cherin & Mellott

[57] CLAIM

The ornamental design for a faucet, as shown or described.

DESCRIPTION

FIG. 1 is a perspective view taken from the top, front, and left side of a 'faucet' showing my new design;

FIG. 2 is a front elevational view thereof;

FIG. 3 is a left side elevational view thereof;

FIG. 4 is a right side elevational view thereof;

FIG. 5 is a rear elevational view thereof;

FIG. 6 is a top plan view thereof; and

FIG. 7 is a bottom plan view thereof.

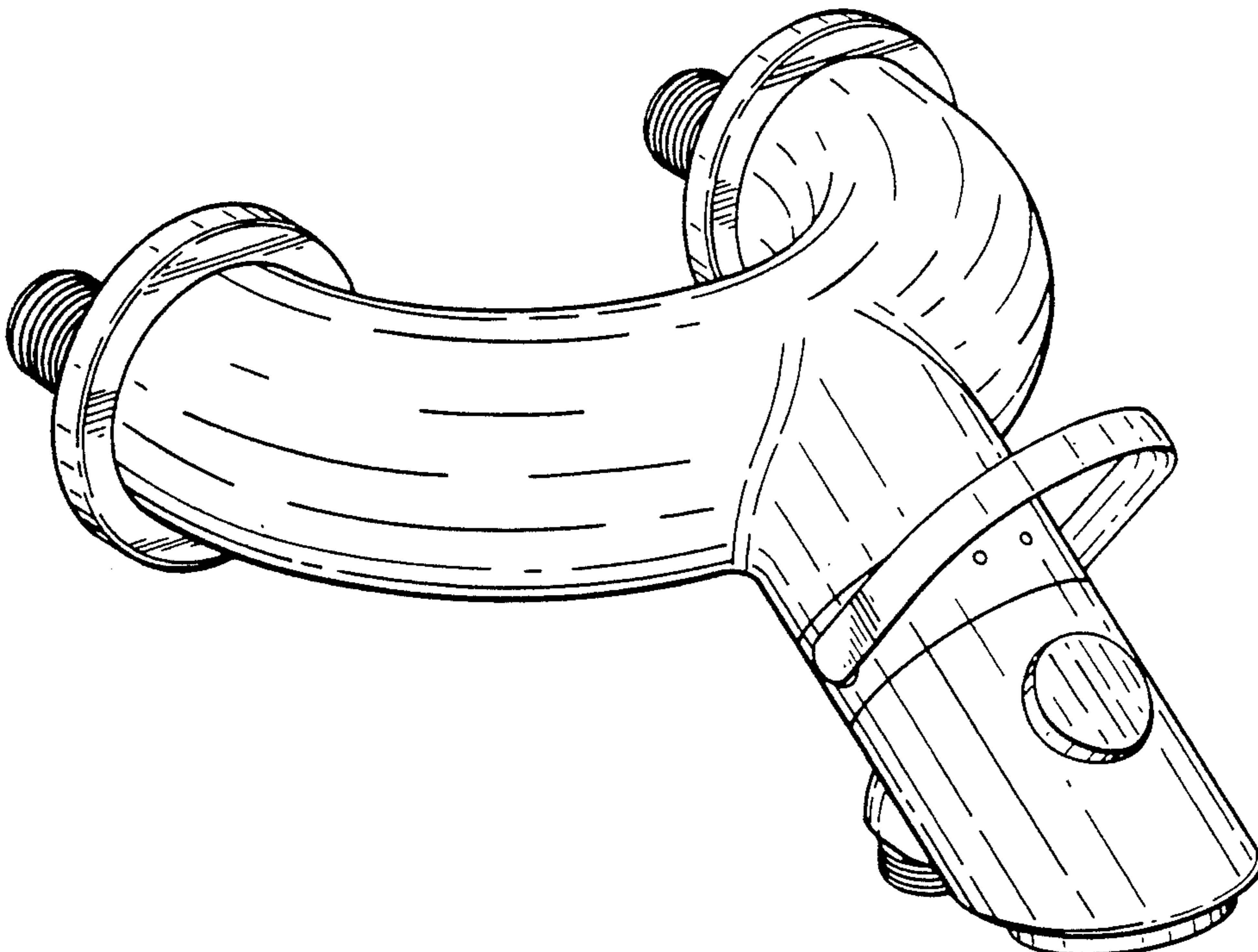
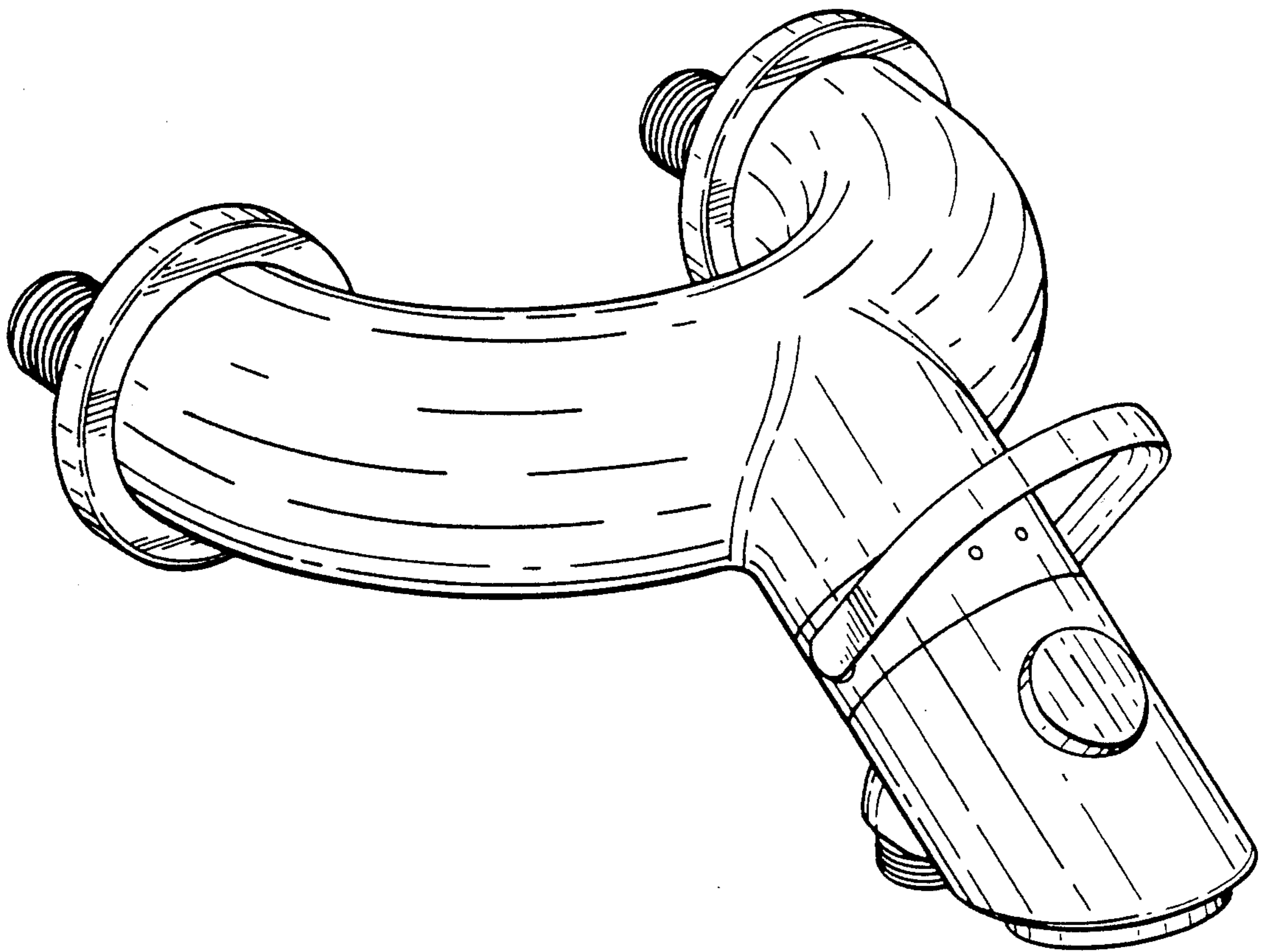


FIG. 1



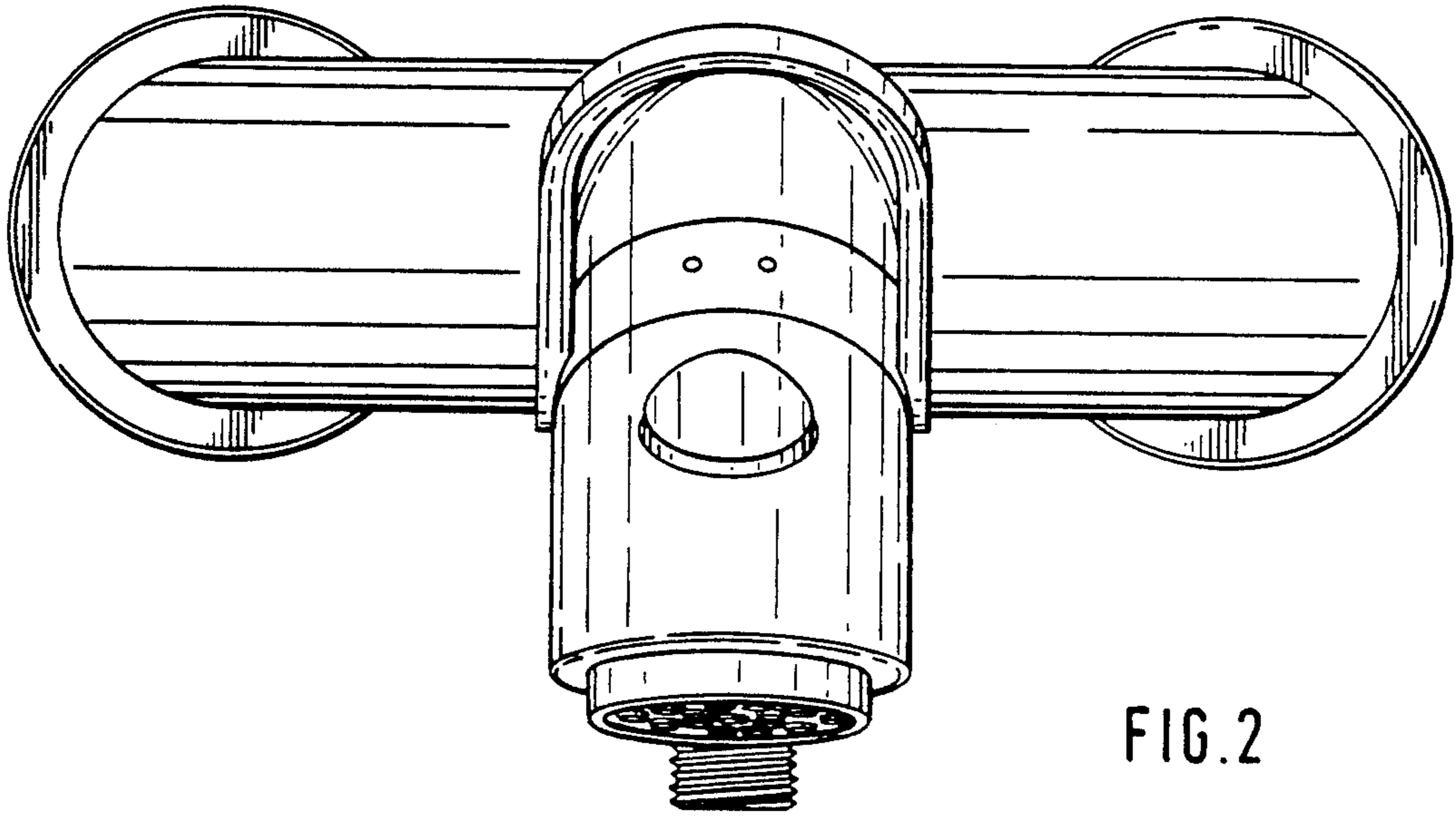


FIG. 2

FIG. 3

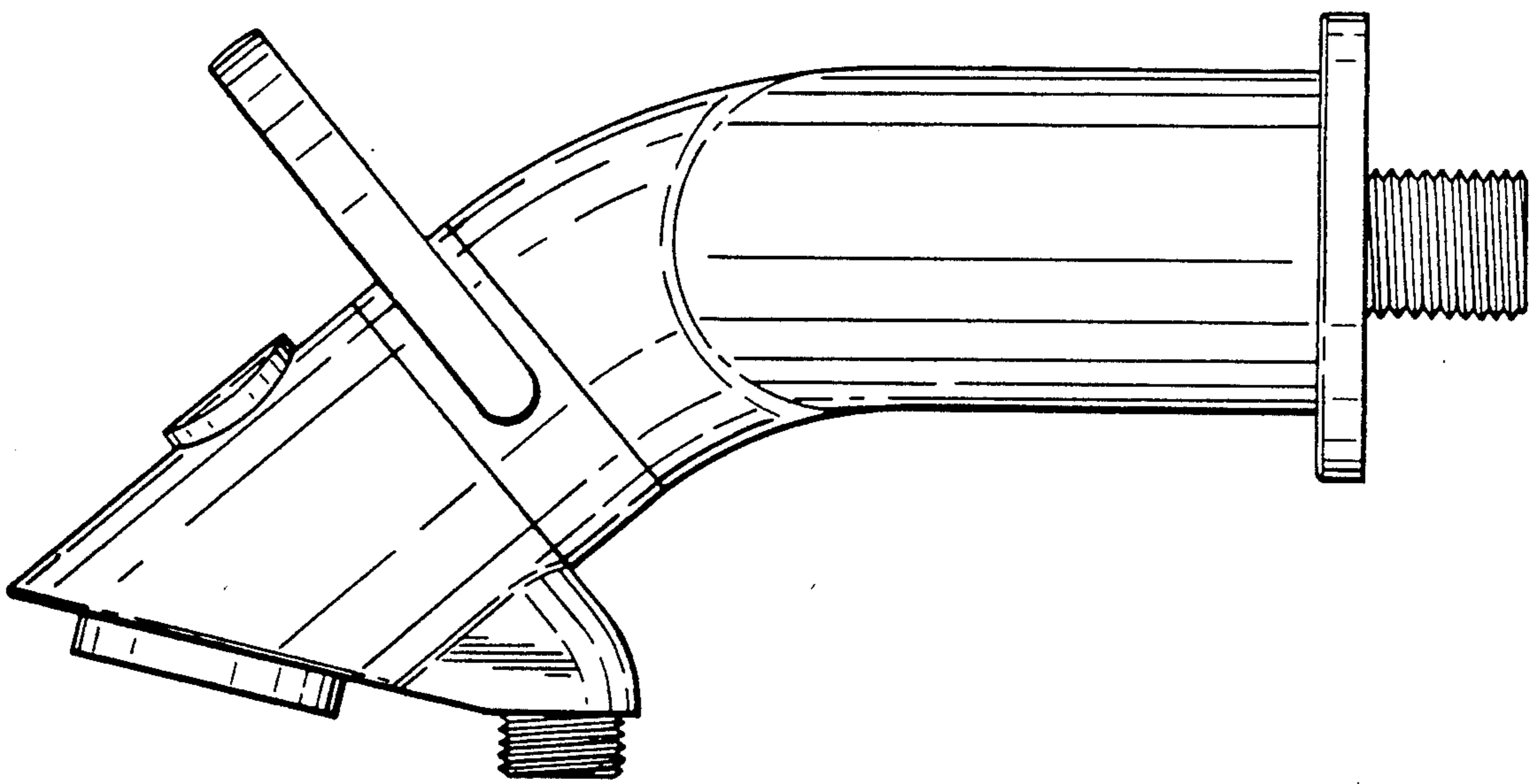


FIG. 4

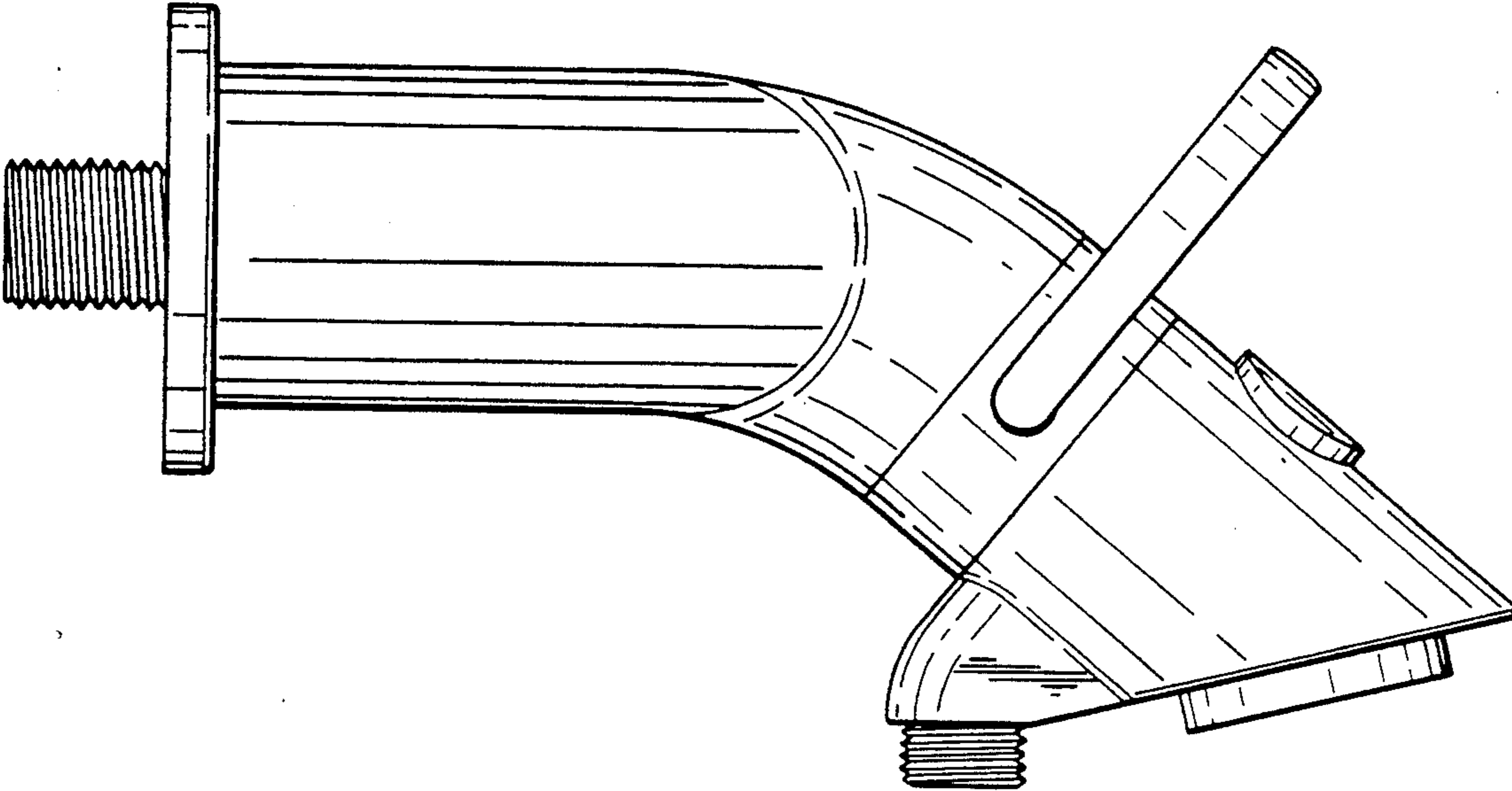


FIG. 5

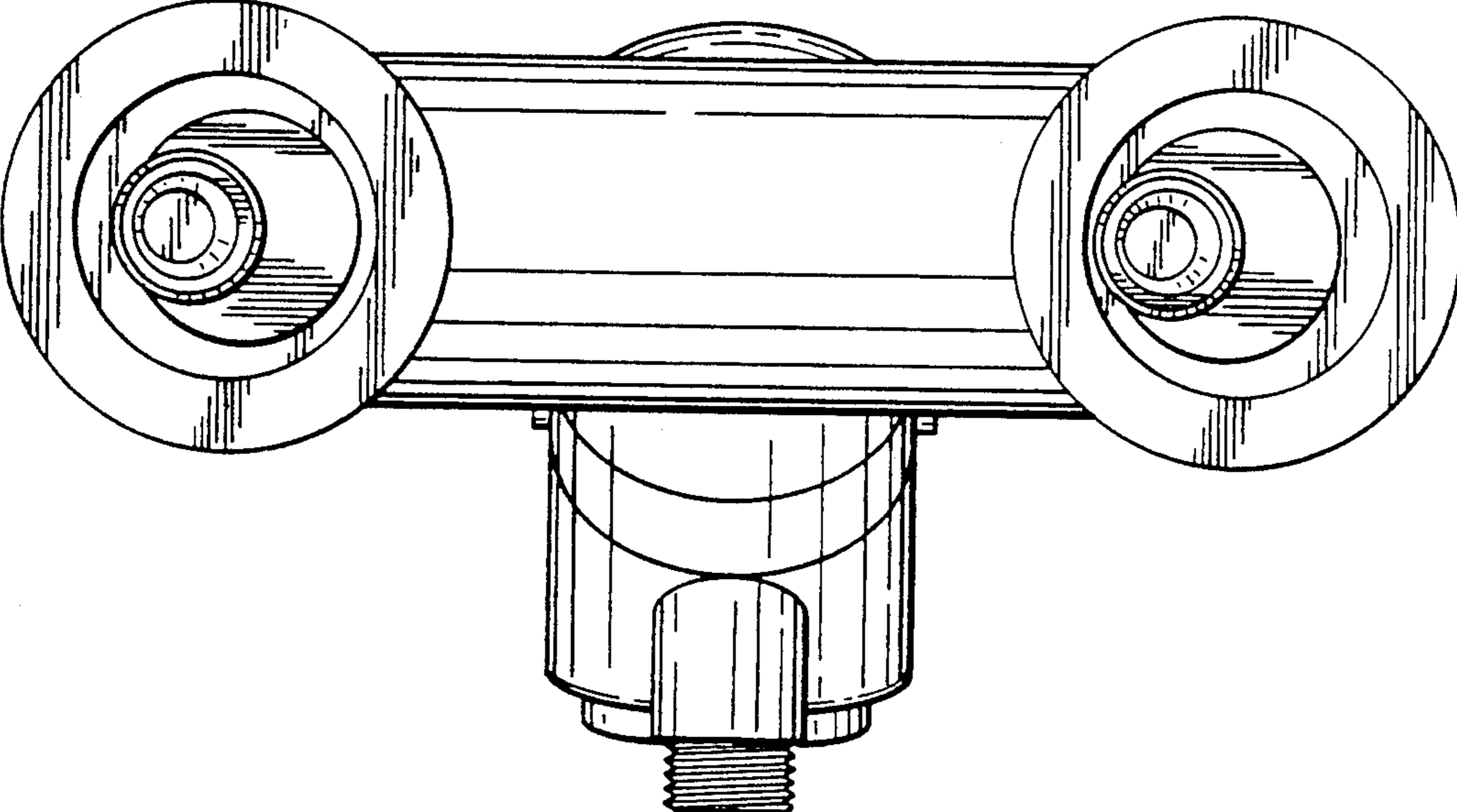


FIG. 6

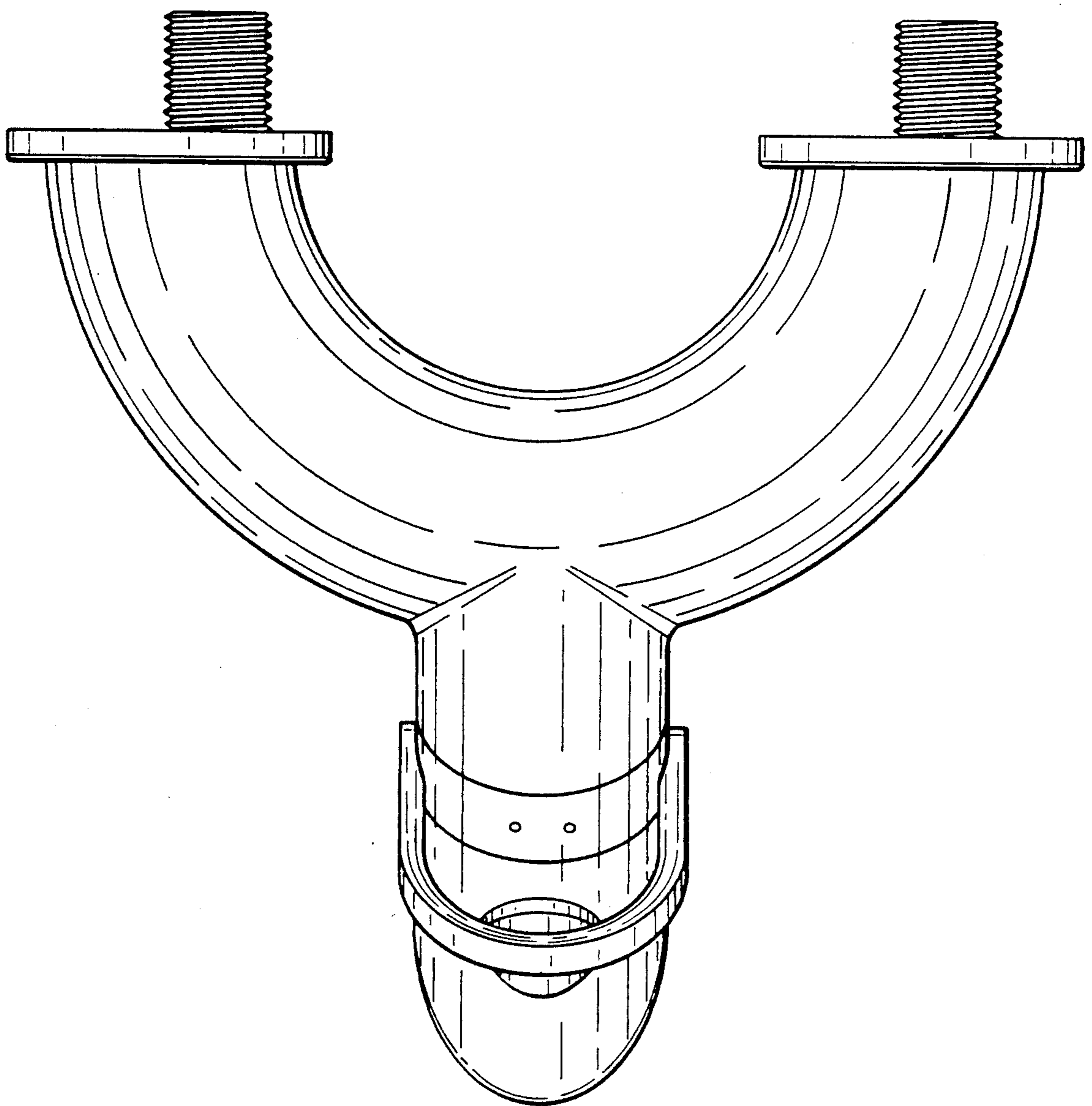


FIG. 7

