

[54] **SPRINKLER**

[75] Inventor: Franco Clivio, Zürich, Switzerland

[73] Assignee: Gardena Kress & Kastner GmbH,
Fed. Rep. of Germany

[**] Term: 14 Years

[21] Appl. No.: 390,672

[22] Filed: Aug. 7, 1989

[52] U.S. Cl. D23/214

[58] Field of Search D23/200, 211, 213-221;
239/200-207, 211, 242-243, 273, 275-276,
279-280, 390-394, 443-444, 456, 556-558,
246-248, DIG. 1

[56] **References Cited**

U.S. PATENT DOCUMENTS

D. 277,127	1/1985	Mackay et al.	D23/214
D. 305,792	1/1990	Hastings	D23/214
4,347,981	9/1982	Hayes	239/394
4,905,903	3/1990	Katzer et al.	239/391 X

OTHER PUBLICATIONS

In Home; Hoses and Accessories (1 page) 9/87.

Hozelock, Sprinklers (1 page).

Nelson Spot Rain, for small areas, fast precise watering (1 page).

Modell-Regner für Kreiformige, rechteckige und quadratische Flächen (1 page).

Specialty Sprinklers (1 page).

Gardena Kreisregner.

Primary Examiner—Susan J. Lucas

Assistant Examiner—M. H. Tung

Attorney, Agent, or Firm—Eckert Seamans Cherin & Mellott

[57] **CLAIM**

The ornamental design for a sprinkler, as shown and described.

DESCRIPTION

FIG. 1 is a top, front perspective view of a sprinkler showing my new design;

FIG. 2 is a top plan view thereof;

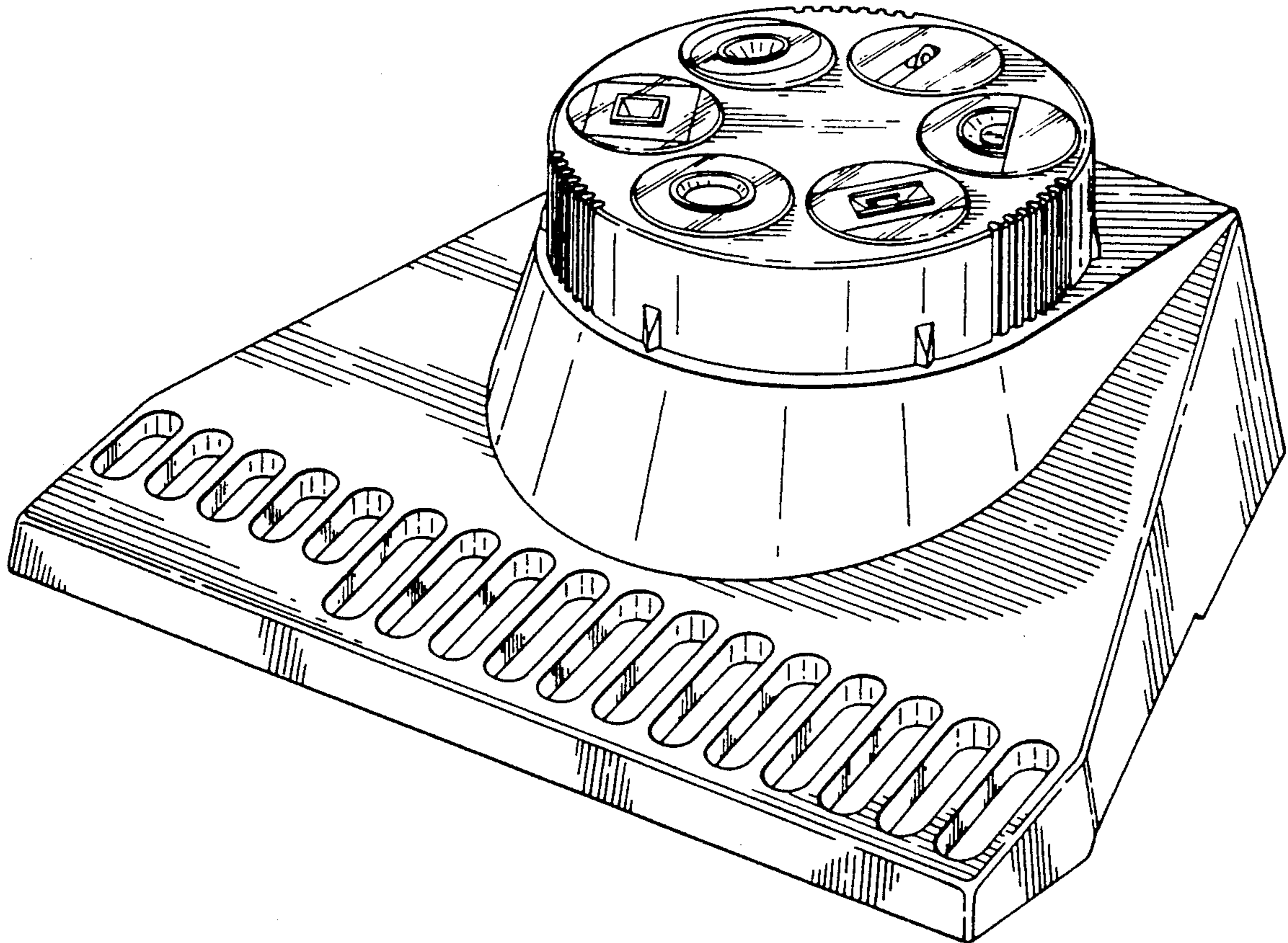
FIG. 3 is a front elevational view thereof;

FIG. 4 is a side elevational view thereof;

FIG. 5 is the opposite side elevational view thereof;

FIG. 6 is a rear elevational view thereof;

FIG. 7 is a bottom plan view thereof.



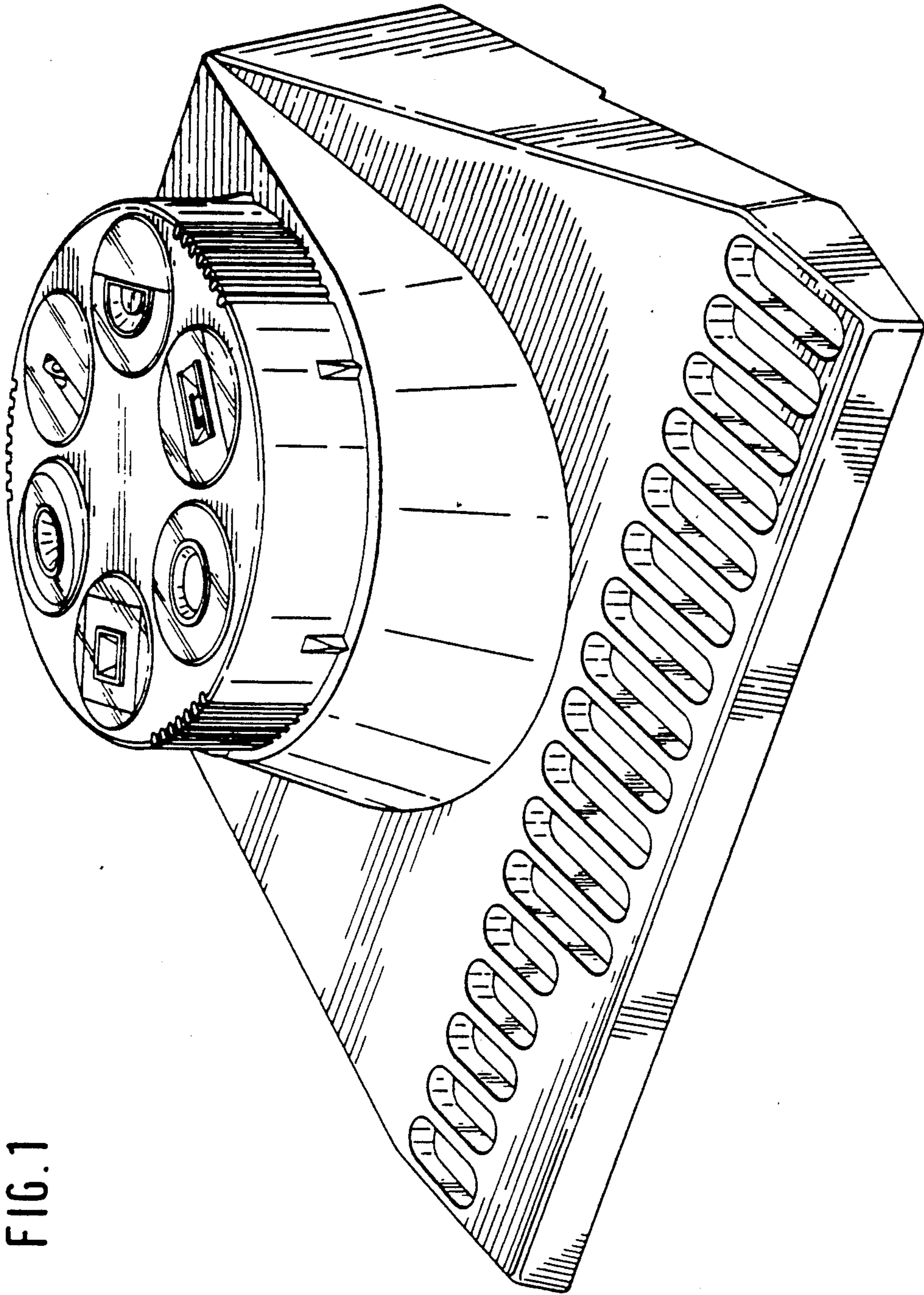


FIG. 1

FIG. 2

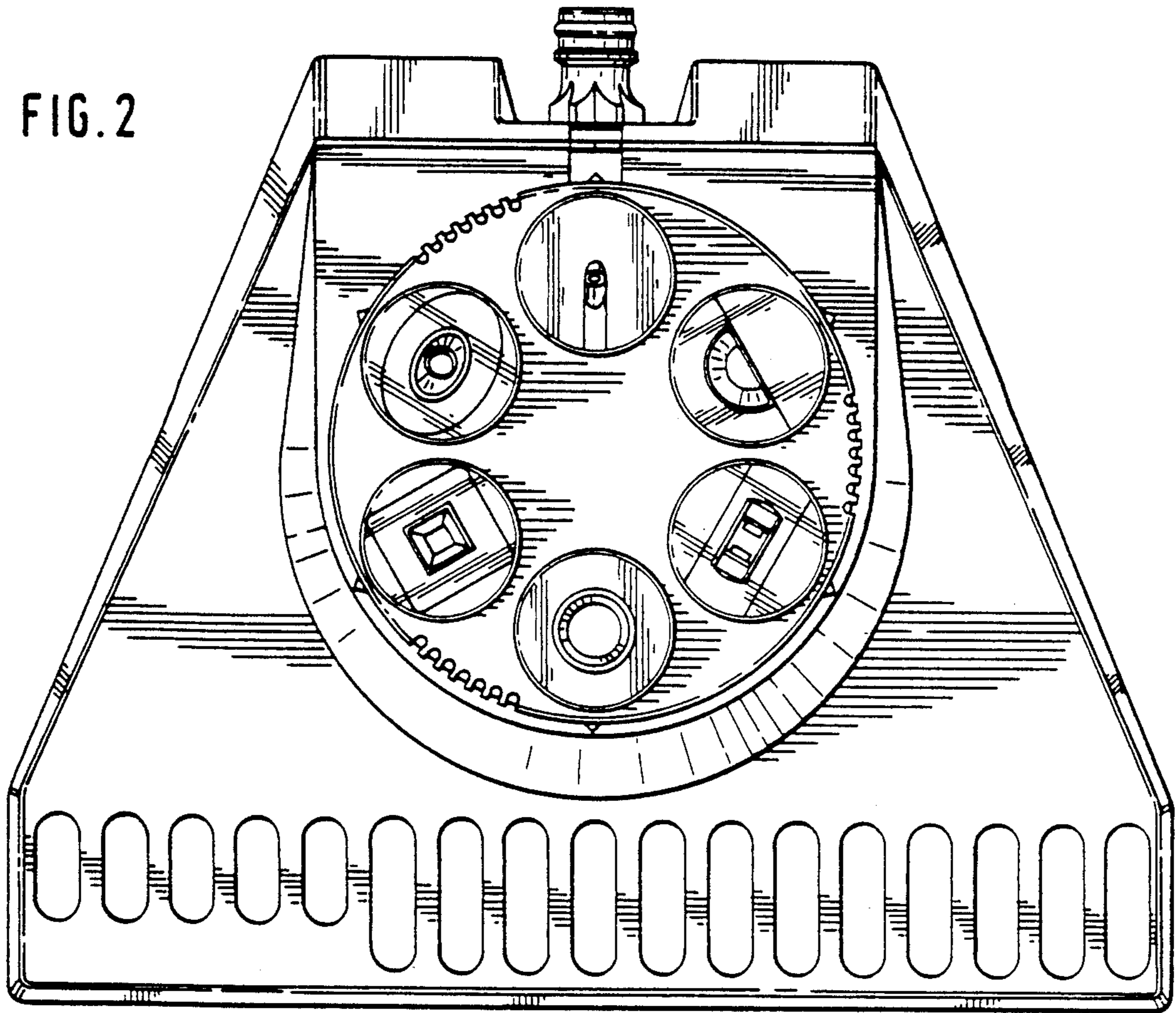


FIG. 3

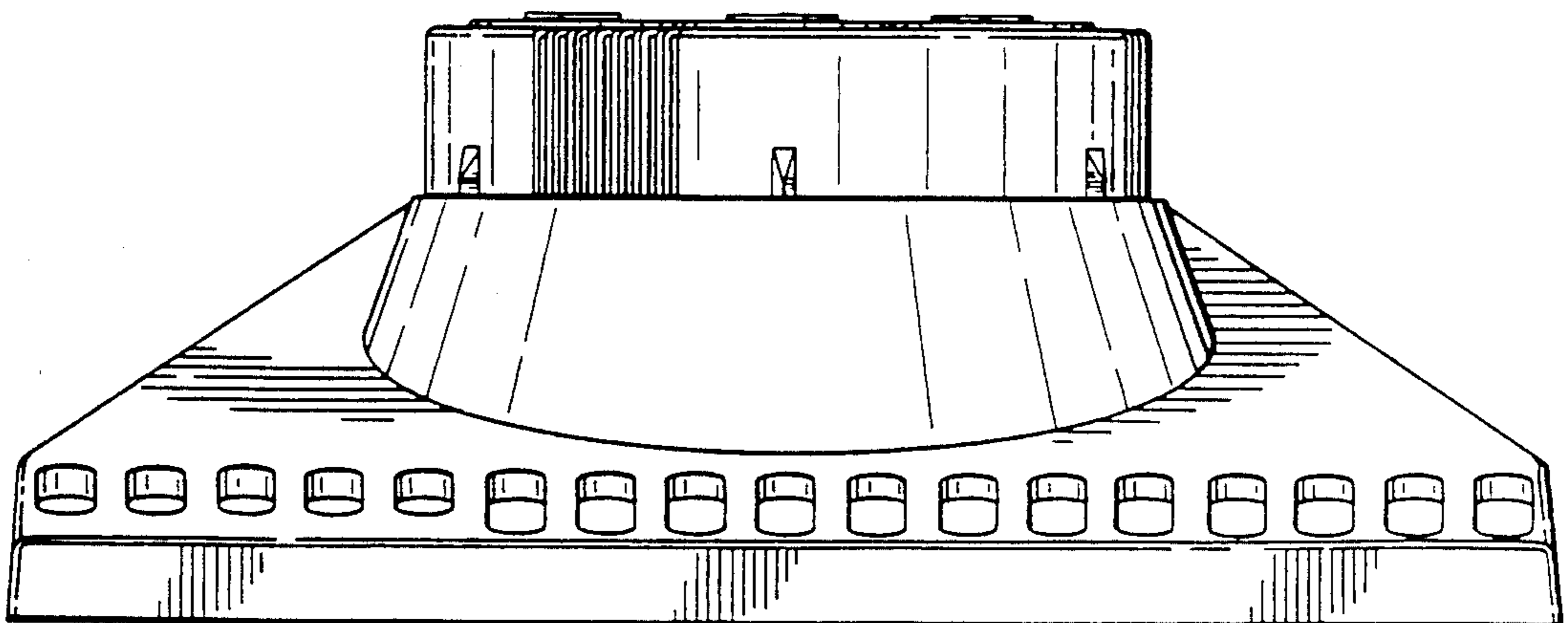


FIG. 4

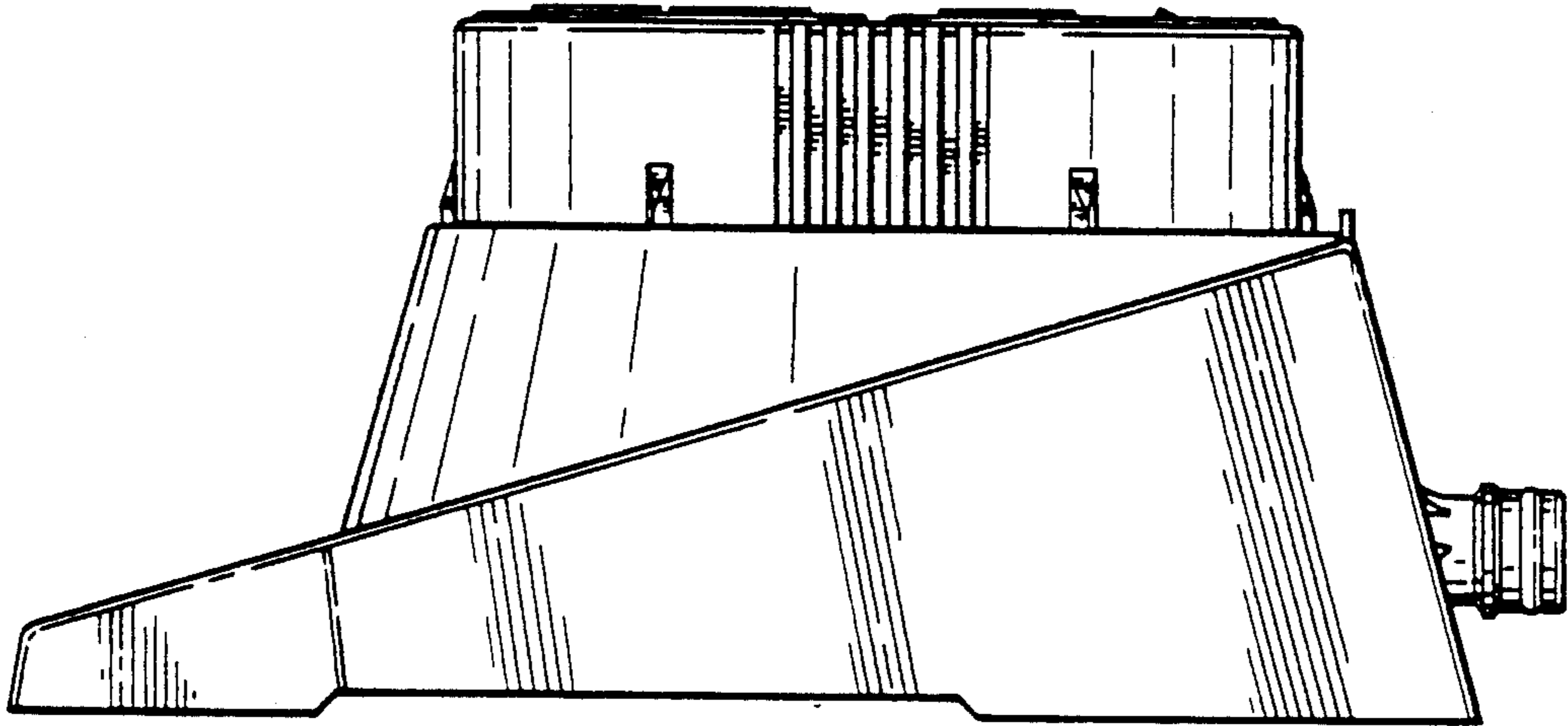
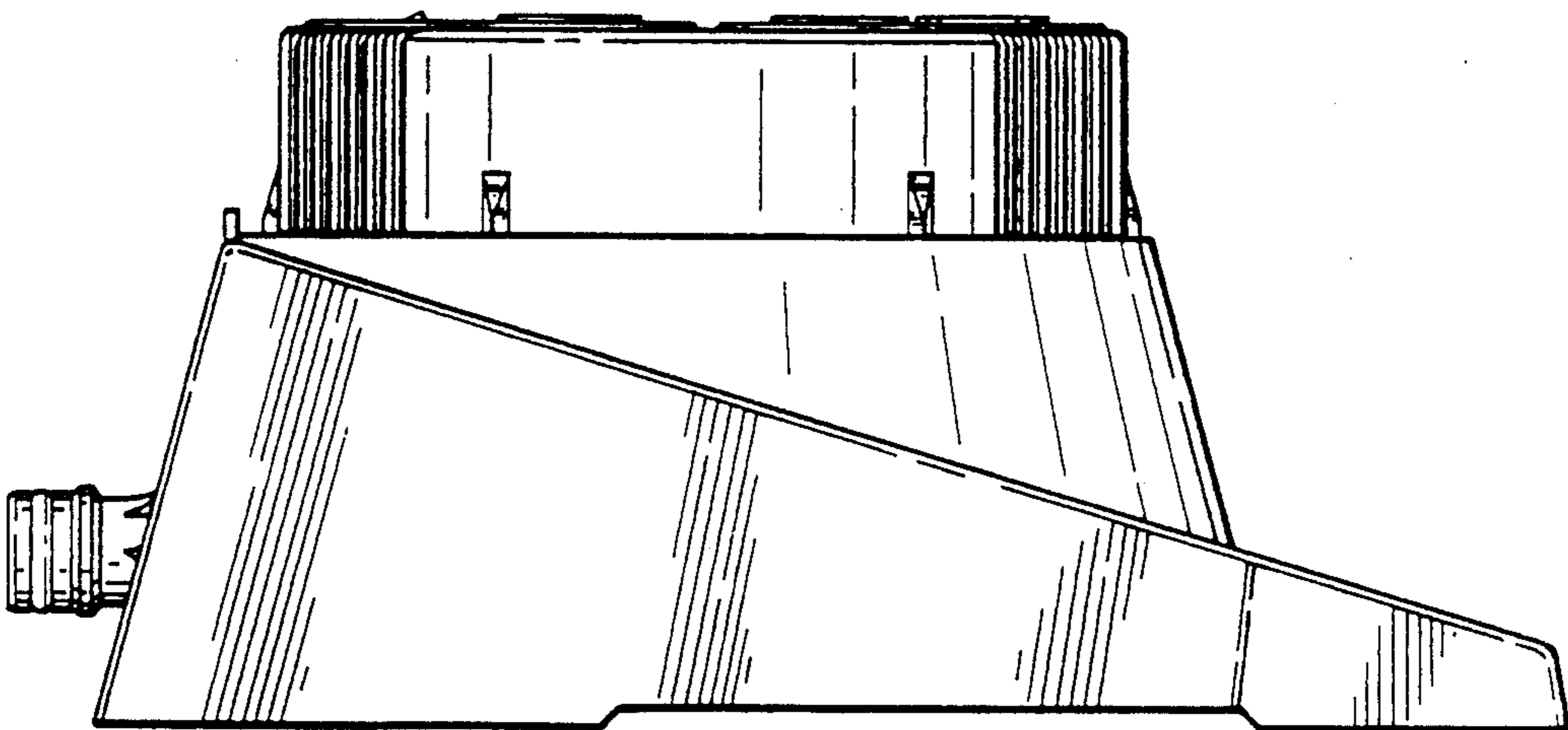


FIG. 5



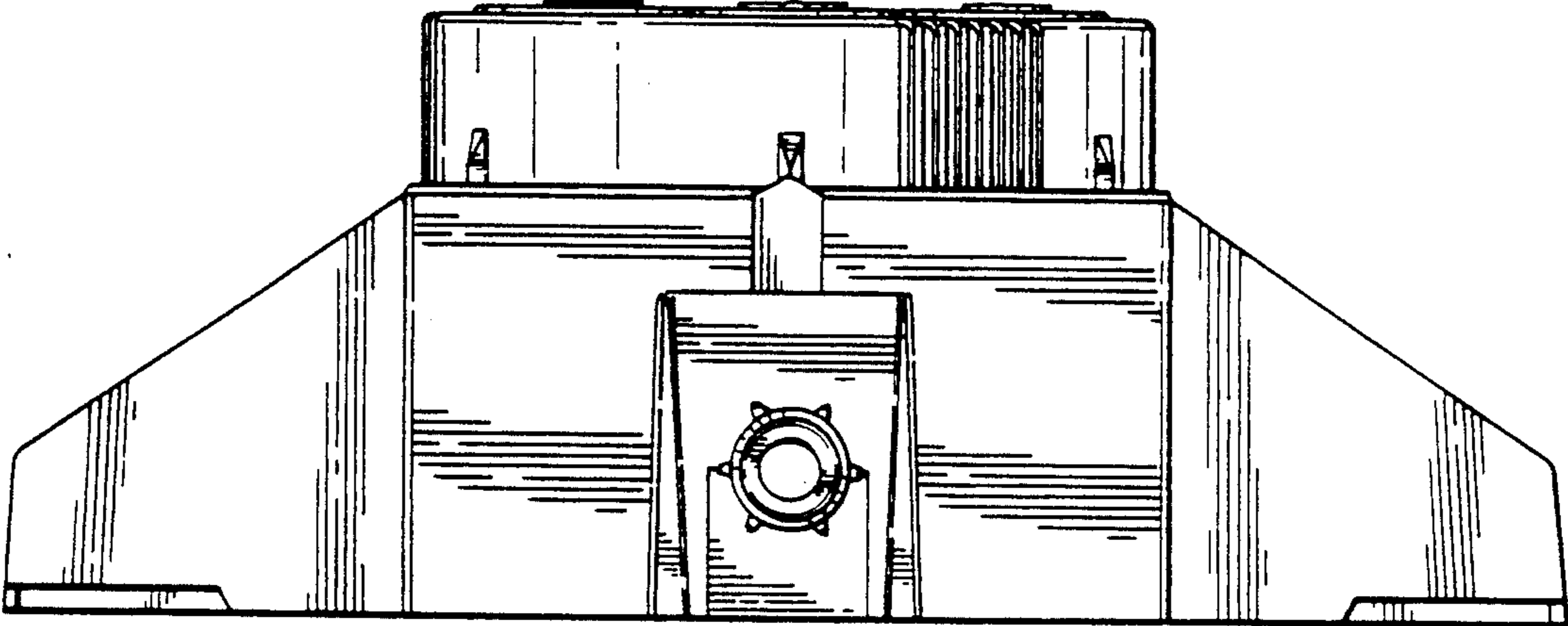


FIG. 6

FIG. 7

