

United States Patent [19]
Mikol

[11] **Patent Number: Des. 315,191**

[45] **Date of Patent: ** Mar. 5, 1991**

[54] **SHOWER HEAD**

[75] **Inventor: Erwin F. Mikol, Park Ridge, Ill.**

[73] **Assignee: Twentieth Century Companies, Inc., Whelling, Ill.**

[**] **Term: 14 Years**

[21] **Appl. No.: 247,255**

[22] **Filed: Sep. 21, 1988**

[52] **U.S. Cl. D23/213**

[58] **Field of Search D23/213, 222-230; 4/191-192, 447, 567-570, 596, 599-603, 615; 239/310, 276-281, 282-283, 288.5, 443-449, 456-460, 525, 530-532, 548, 550-552, 556-559, 562-565, 567, 581-583, 586-588**

[56] **References Cited**

U.S. PATENT DOCUMENTS

D. 296,002 5/1988 Maug et al. D23/229
2,261,500 11/1941 Lewis et al. D23/213 X

3,468,483 9/1969 Parkison 239/460
4,754,928 7/1988 Rogers et al. 239/447 X

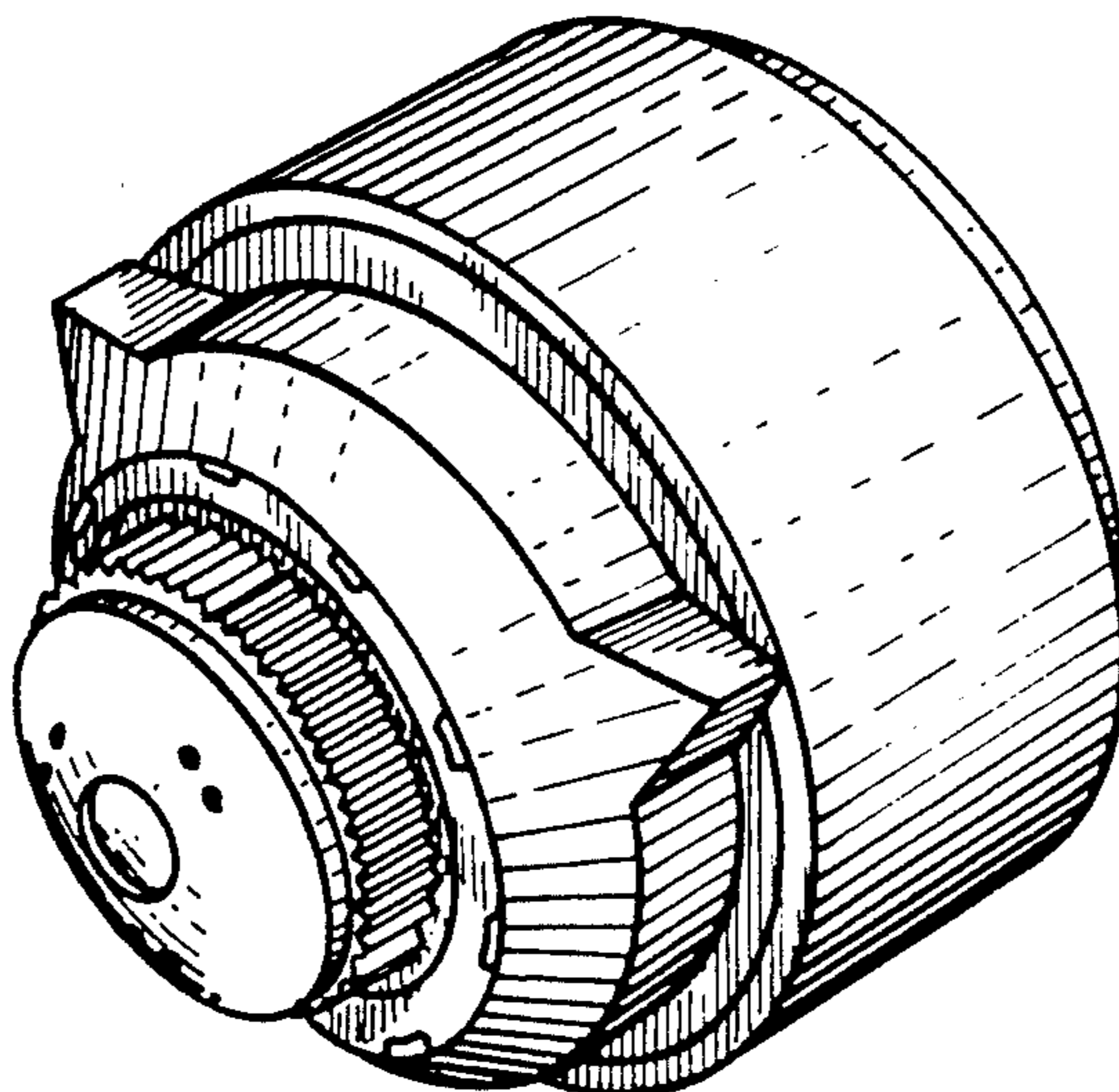
Primary Examiner—Susan J. Lucas
Assistant Examiner—M. H. Tung
Attorney, Agent, or Firm—Cook, Egan, McFarron & Manzo, Ltd.

[57] **CLAIM**

The ornamental design for a shower head, as shown and described.

DESCRIPTION

FIG. 1 is a right side elevational view of a shower head showing my new design, the left side being a mirror image;
FIG. 2 is a front elevational view thereof;
FIG. 3 is a rear elevational view thereof;
FIG. 4 is a top plan view thereof;
FIG. 5 is a bottom plan view thereof;
FIG. 6 is a side perspective view thereof.
The broken lines are for illustrative purposes only and form no part of the claimed design.



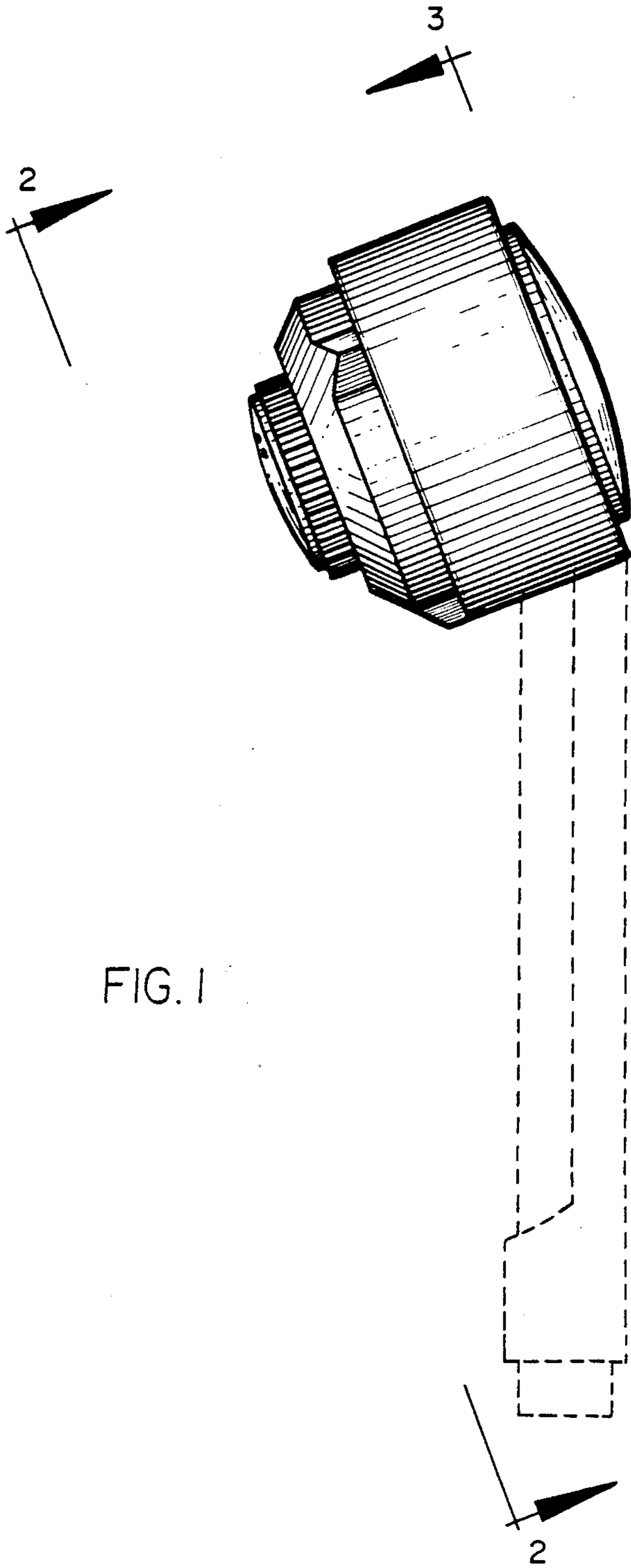


FIG. 1

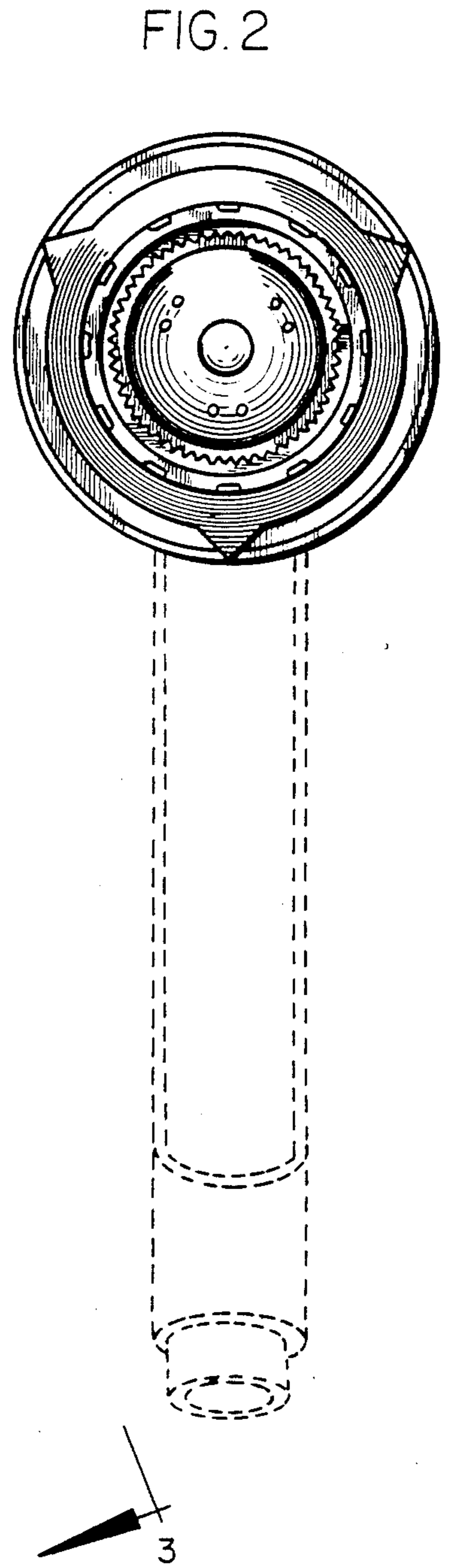


FIG. 2

FIG. 3

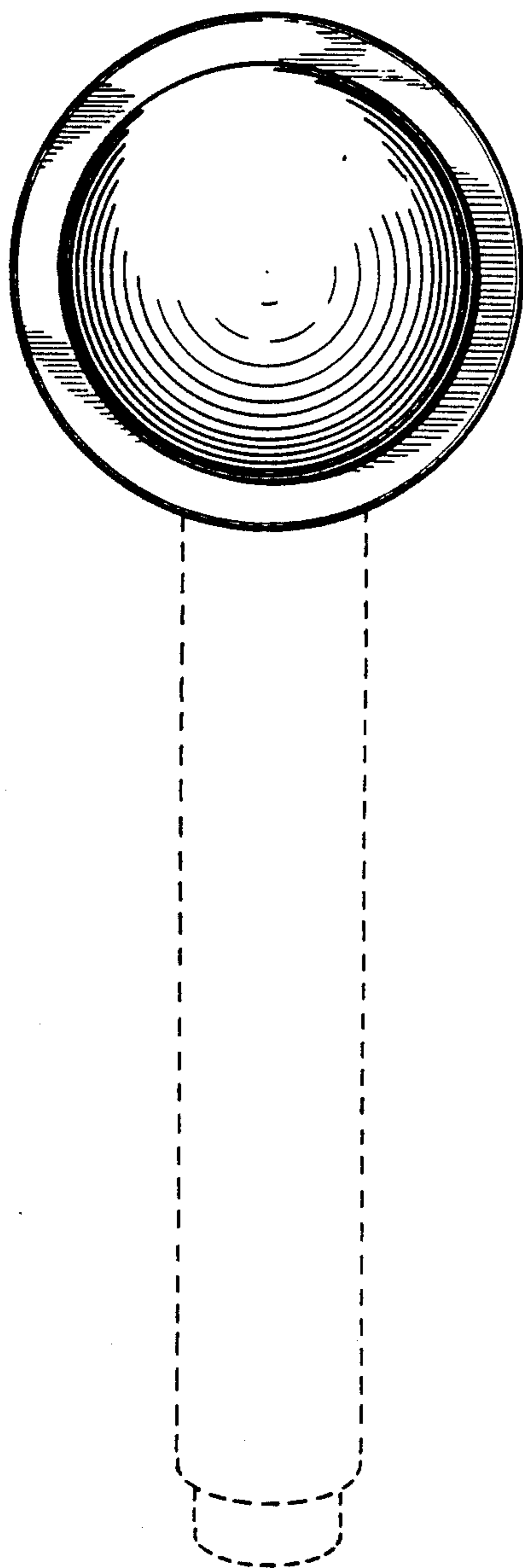


FIG. 4

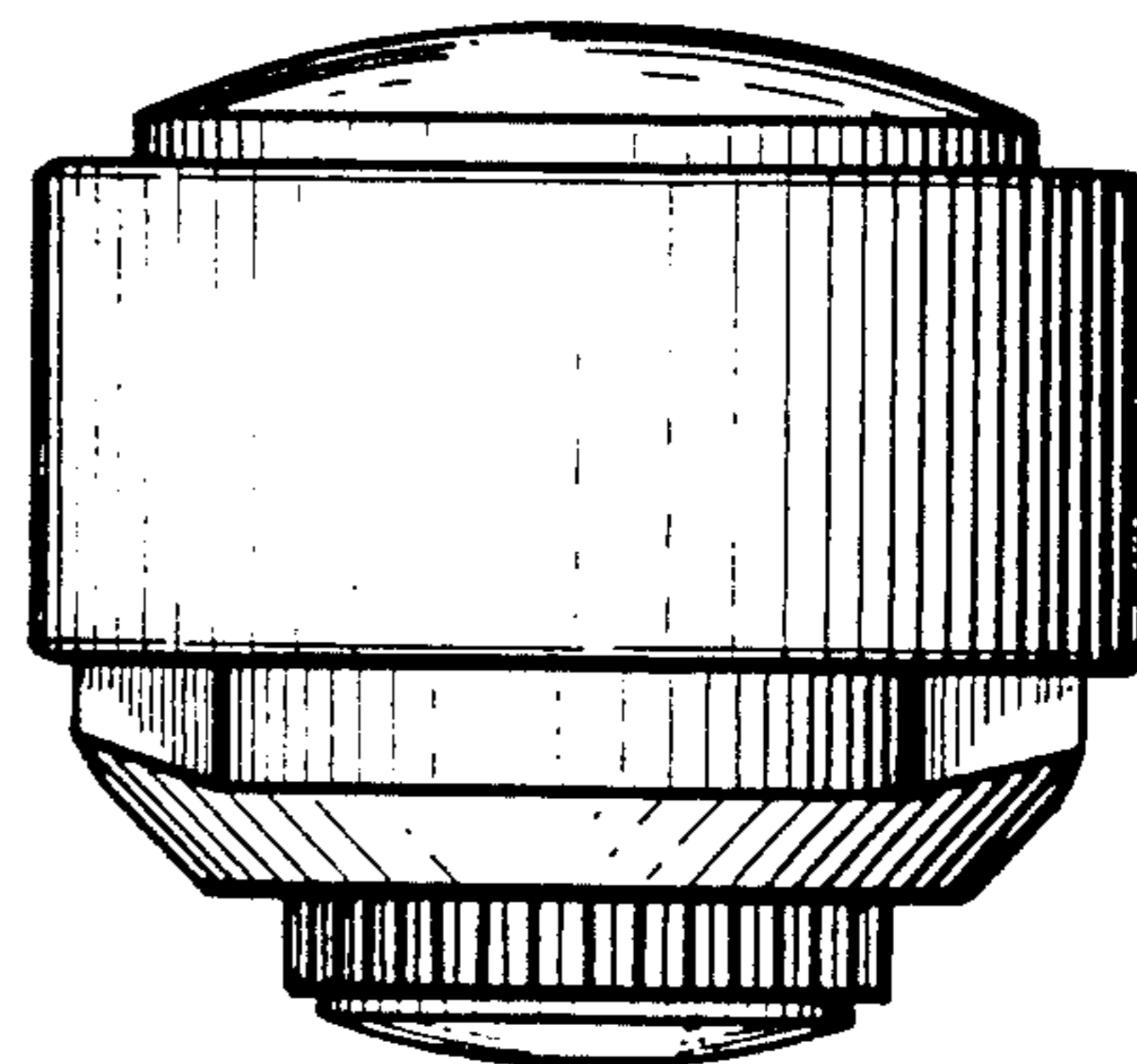


FIG. 5

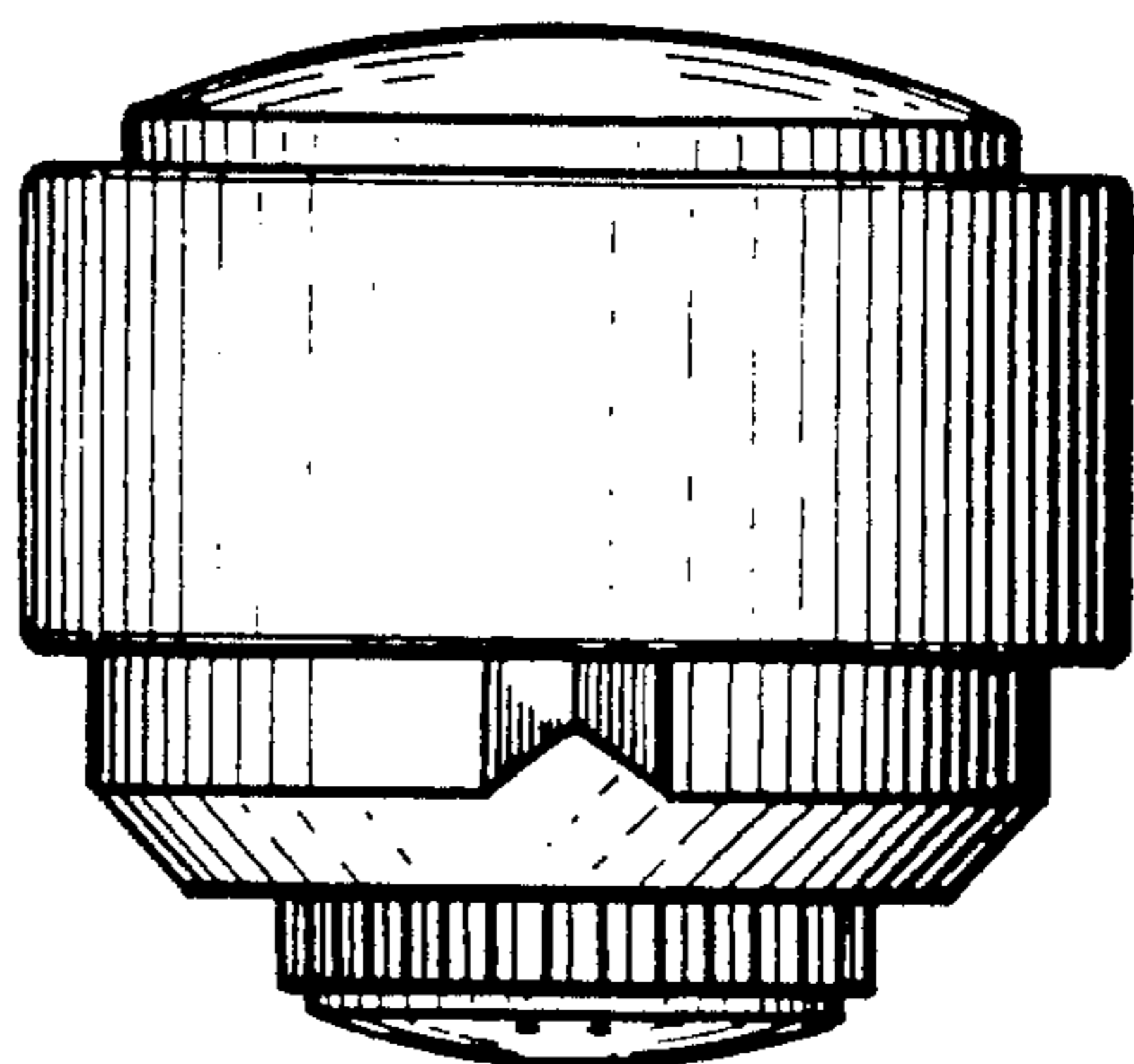


FIG. 6

