

[54] **FISHING LURE**

[76] **Inventor: Johan S. E. Bergqvist, Morbydalen**
 16, 18232 Danderyd, Sweden

[**] **Term: 14 Years**

[21] **Appl. No.: 210,129**

[22] **Filed: Jun. 22, 1988**

[52] **U.S. Cl. D22/129**

[58] **Field of Search D22/129, 128, 131, 130;**
 43/42.18, 42.21, 42.06, 42.5

FOREIGN PATENT DOCUMENTS

736663 6/1966 Canada 43/42.5

Primary Examiner—A. Hugo Word
Assistant Examiner—Doris V. Coles
Attorney, Agent, or Firm—Jerry T. Kearns

[57] **CLAIM**

The ornamental design for a fishing lure, as shown and described.

DESCRIPTION

FIG. 1 is a front elevational view of a fishing lure showing my new design;
 FIG. 2 is a rear elevational view thereof;
 FIG. 3 is a left side elevational view thereof;
 FIG. 4 is a right side elevational view thereof;
 FIG. 5 is a top plan view thereof; and,
 FIG. 6 is a bottom plan view thereof.

[56] **References Cited**

U.S. PATENT DOCUMENTS

D. 154,098	6/1949	Carr	D22/128
D. 246,249	11/1977	Pyorret	D22/131
2,479,675	8/1949	Findlay	43/42.39
2,780,884	2/1957	Hadfield	D22/128 X

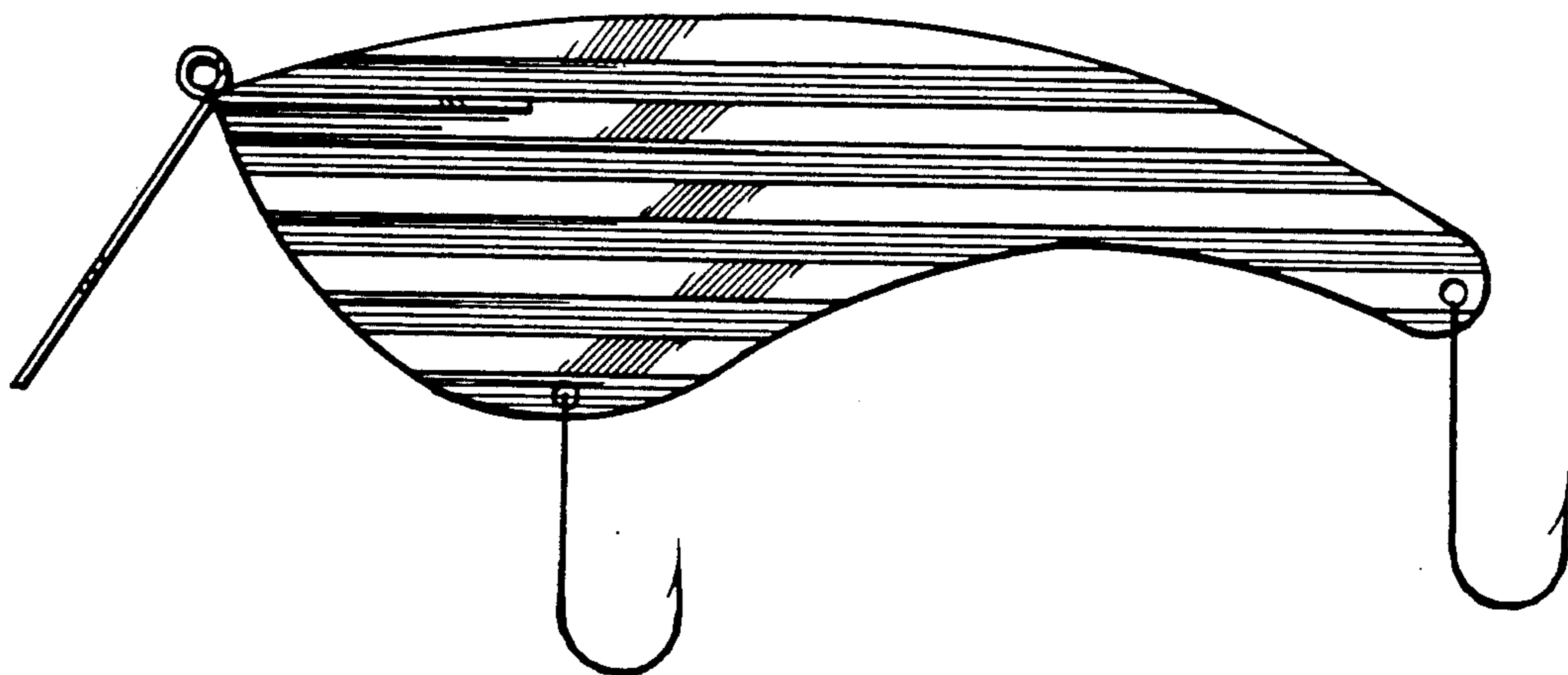
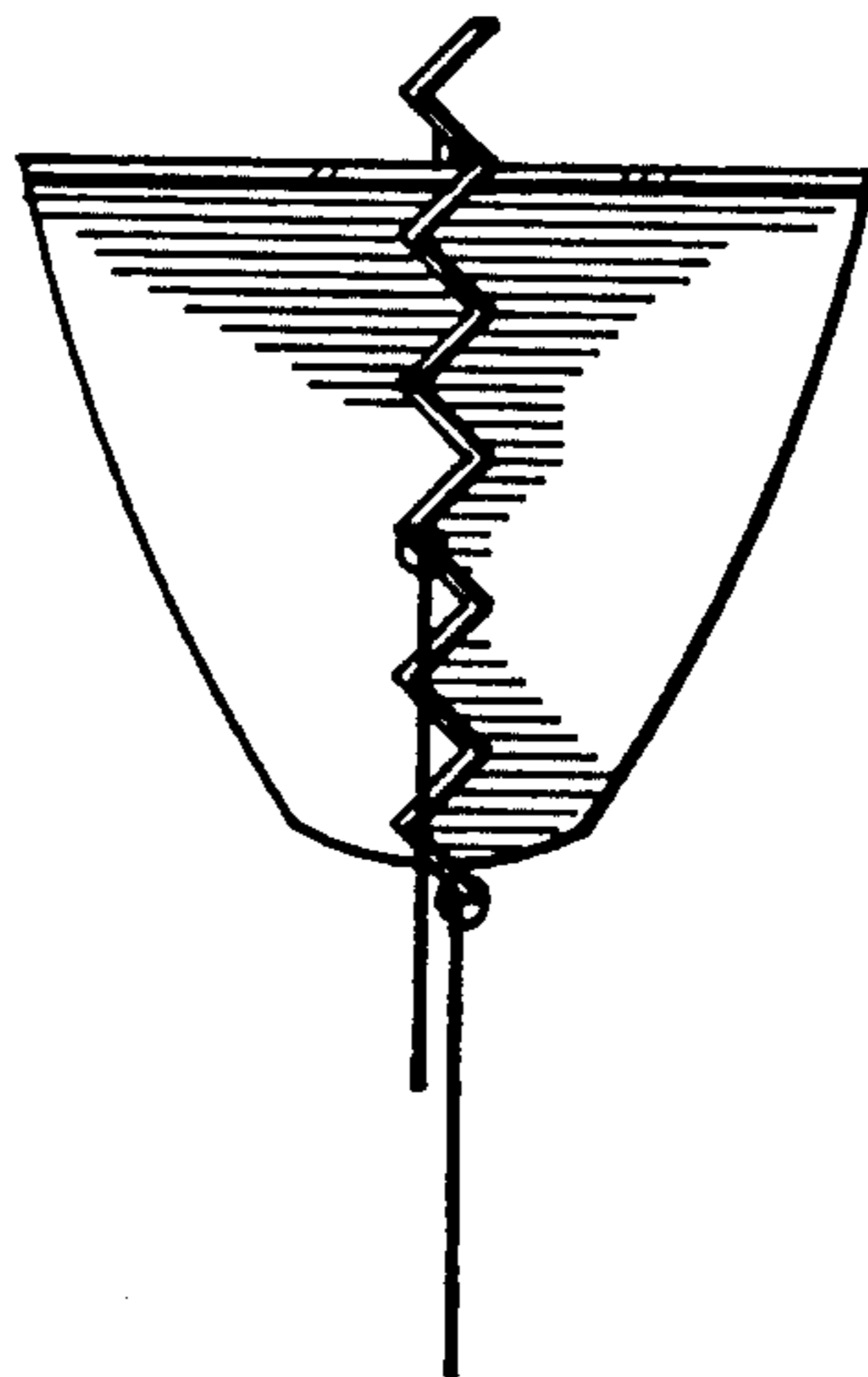


Fig. 1

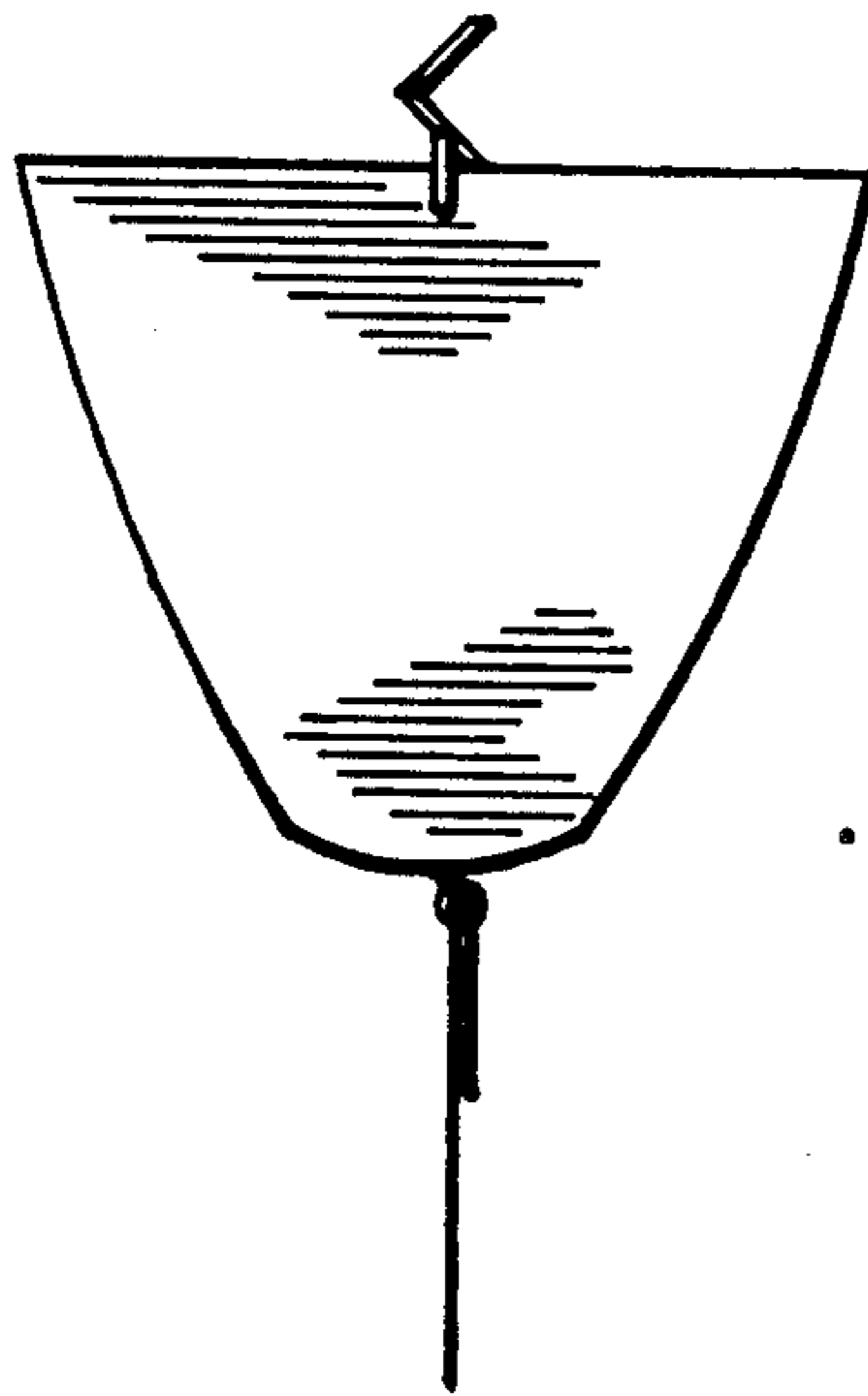


Fig. 2

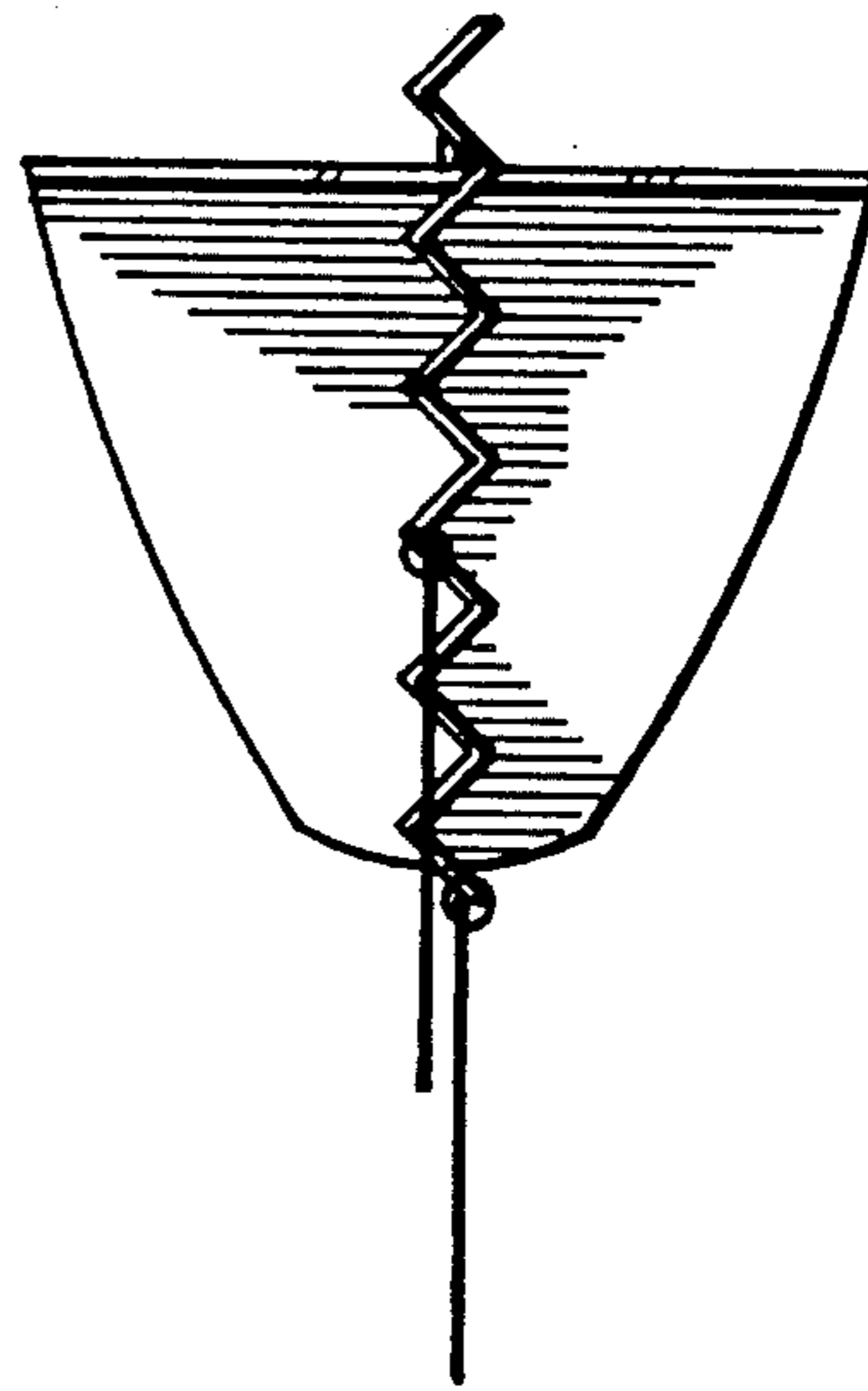
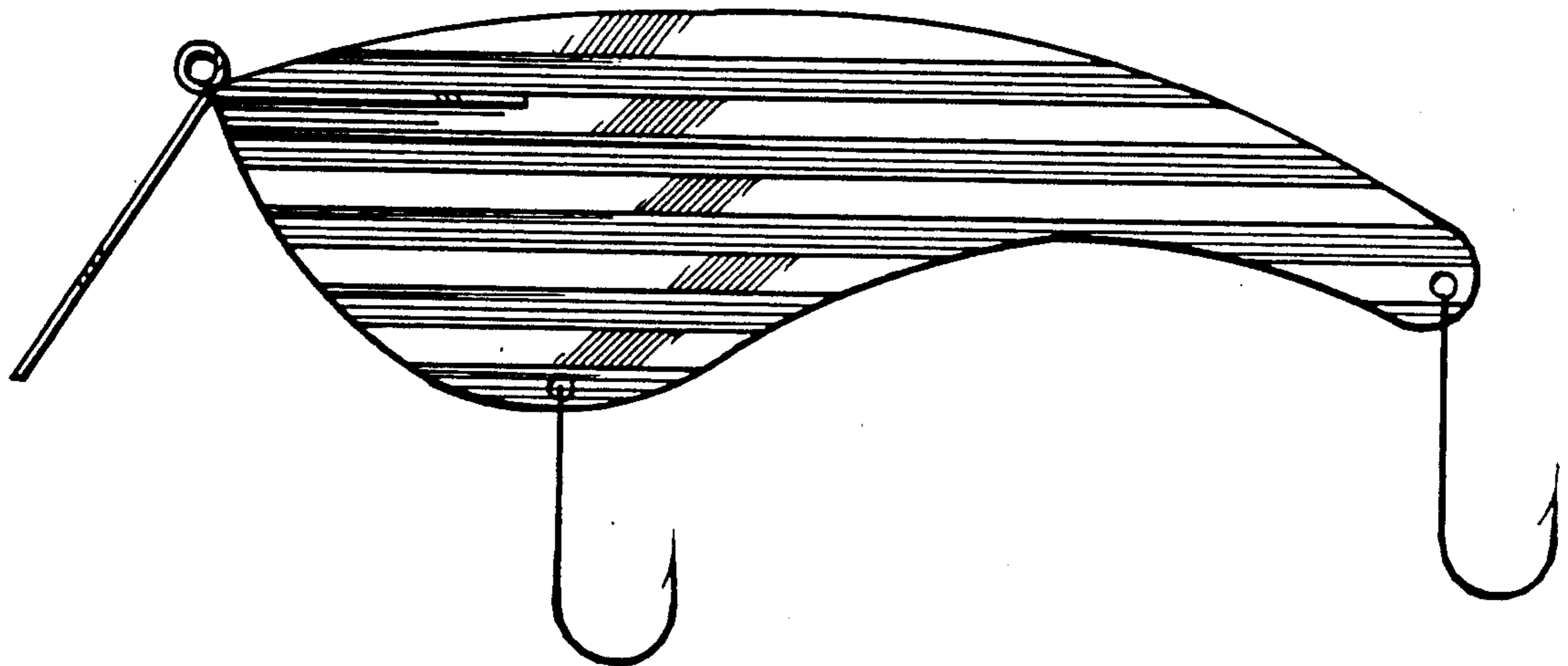


Fig. 3



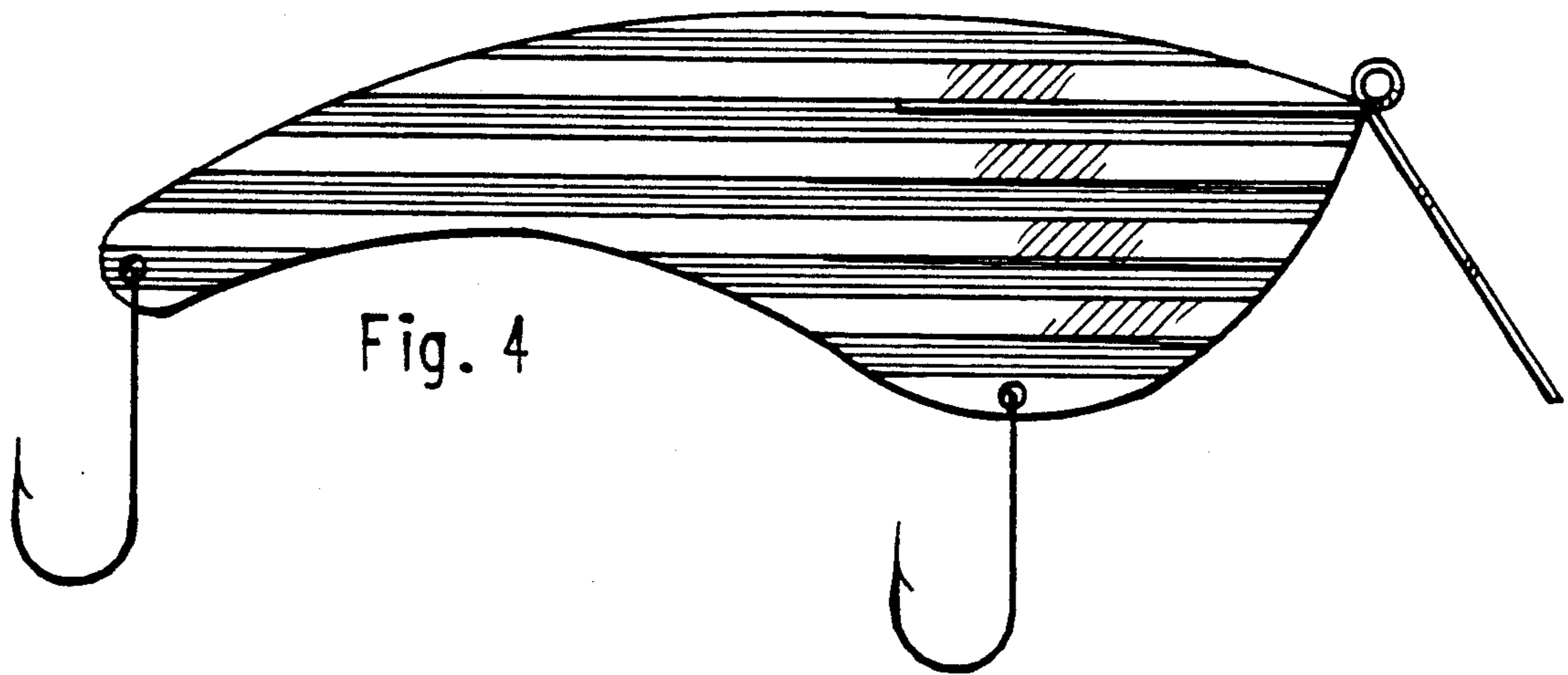


Fig. 4

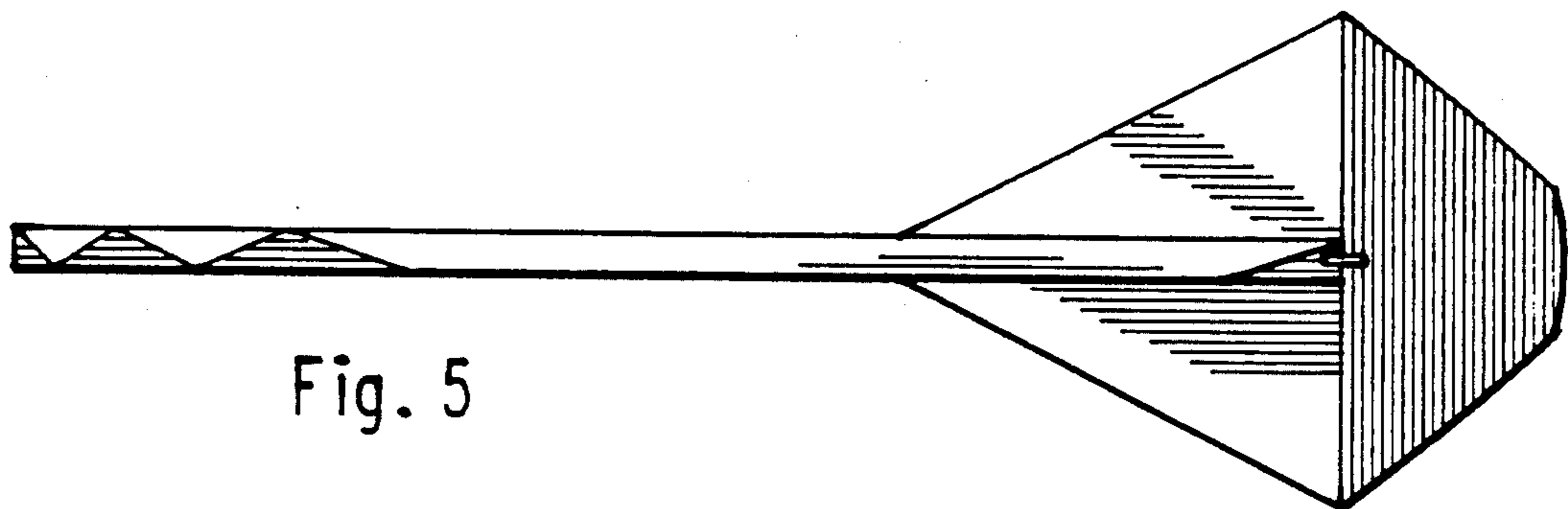


Fig. 5

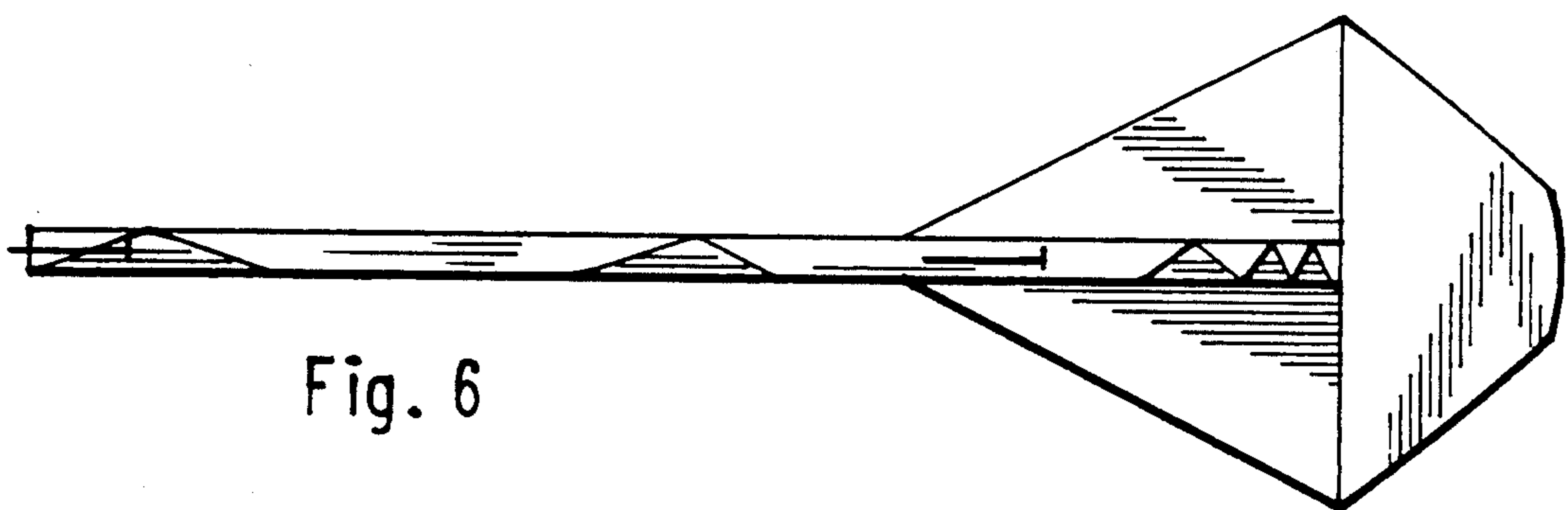


Fig. 6