

[54] **TOY FAST FOOD COUNTER**

[75] **Inventor: Miriam Kolker, Buffalo, N.Y.**

[73] **Assignee: The Quaker Oats Company, Chicago, Ill.**

[\*\*] **Term: 14 Years**

[21] **Appl. No.: 256,290**

[22] **Filed: Oct. 11, 1988**

[52] **U.S. Cl. .... D21/114**

[58] **Field of Search ..... D21/109, 114-117;  
D34/19; 446/71, 75, 76, 79, 476-479, 482**

[56] **References Cited**

**U.S. PATENT DOCUMENTS**

- D. 274,916 7/1984 Hunt ..... D21/114
- D. 294,534 3/1988 Hawthorn et al. .... D34/19
- D. 297,552 9/1988 Zinter-Chahin ..... D21/128

**OTHER PUBLICATIONS**

Sears, Wish Book '85, p. 485, Item #3, "Snack Shark".

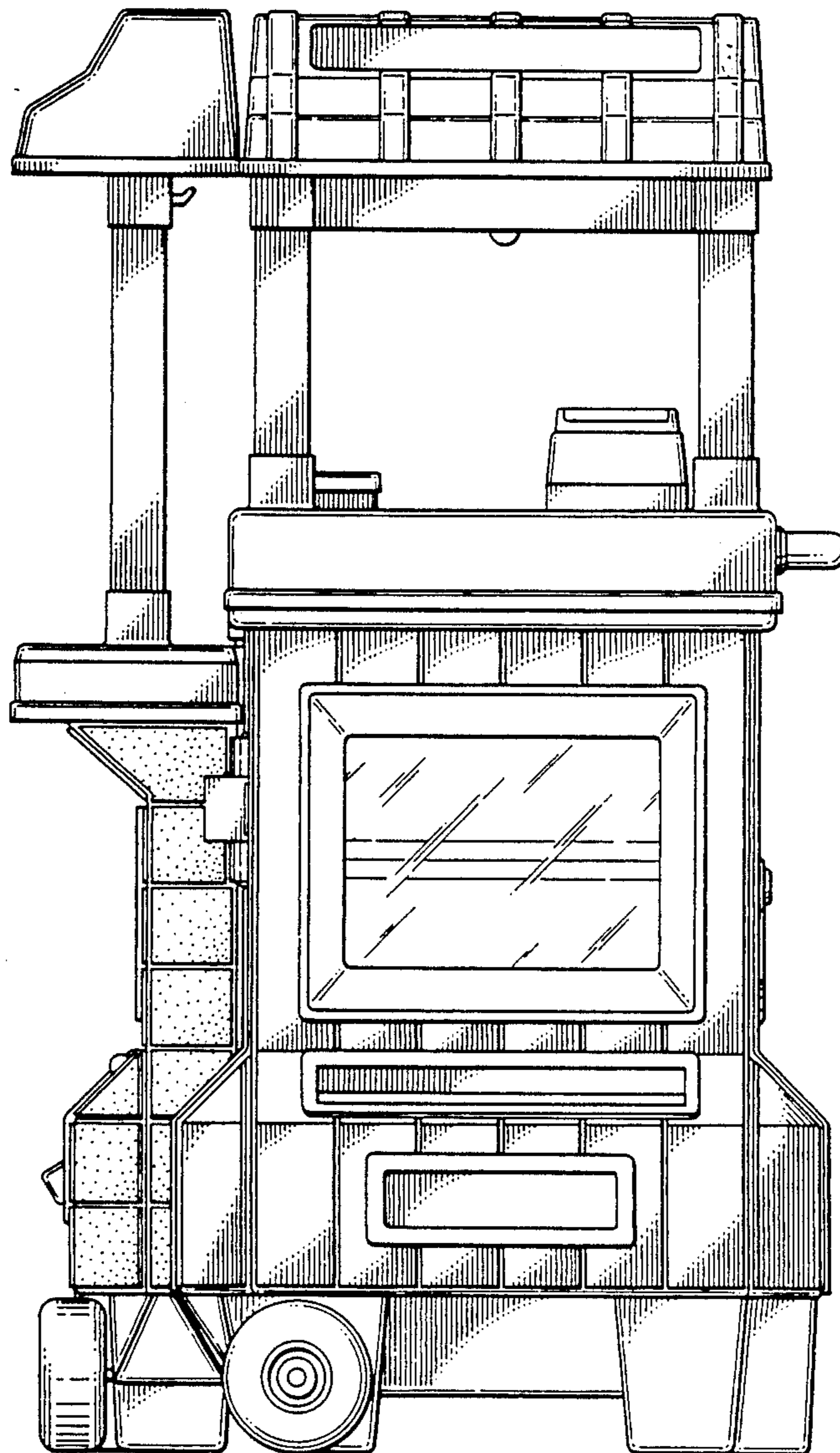
*Primary Examiner*—Charles A. Rademaker  
*Attorney, Agent, or Firm*—Cumpston & Shaw

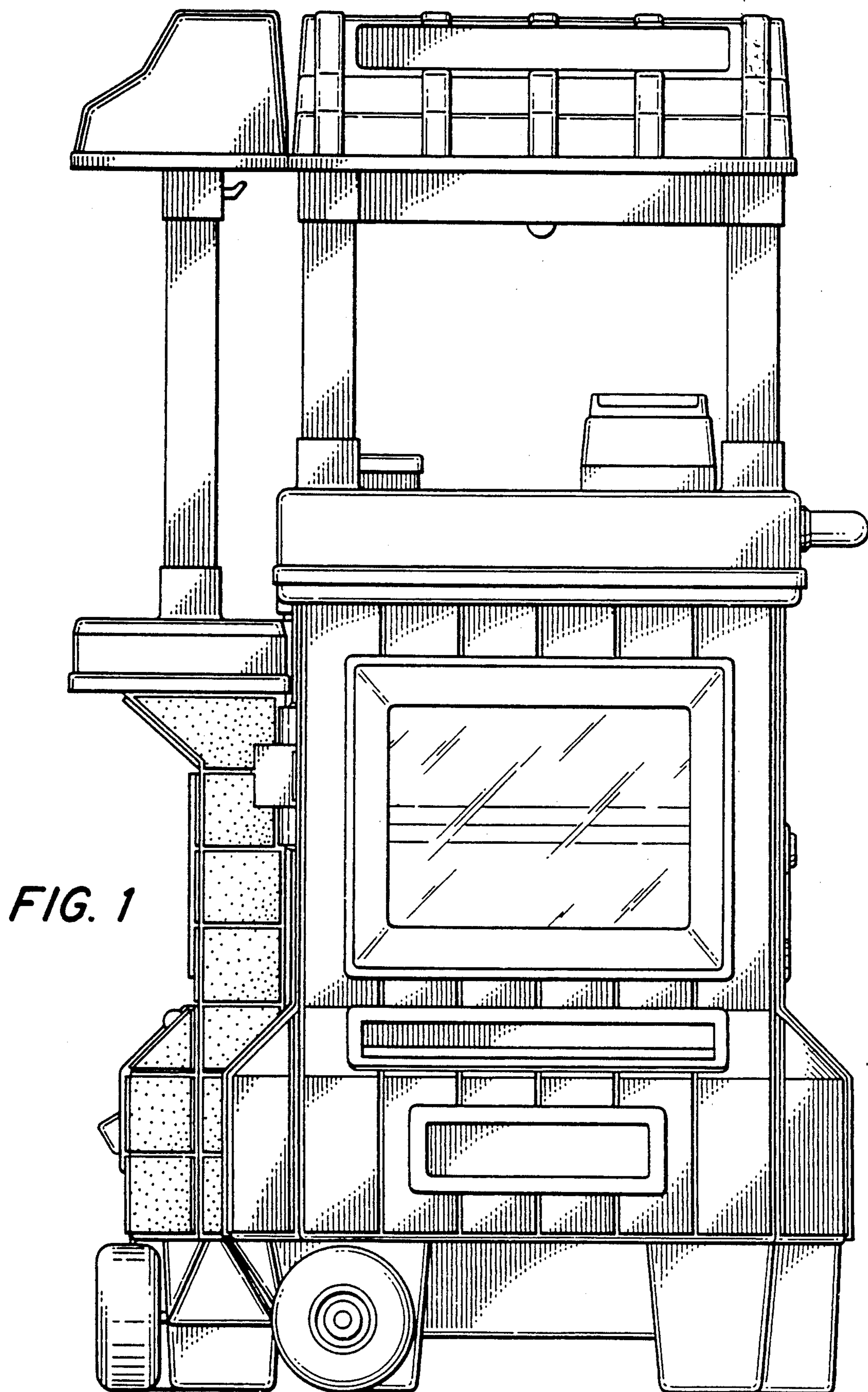
[57] **CLAIM**

The ornamental design for a toy fast food counter, as shown and described.

**DESCRIPTION**

FIG. 1 is a left side elevational view of a toy fast food counter showing my design in open position;  
FIG. 2 is a top plan view thereof;  
FIG. 3 is a front elevational view thereof;  
FIG. 4 is a rear elevational view thereof;  
FIG. 5 is a right side elevational view thereof;  
FIG. 6 is a bottom plan view thereof; and  
FIG. 7 is a rear elevational view in closed position.





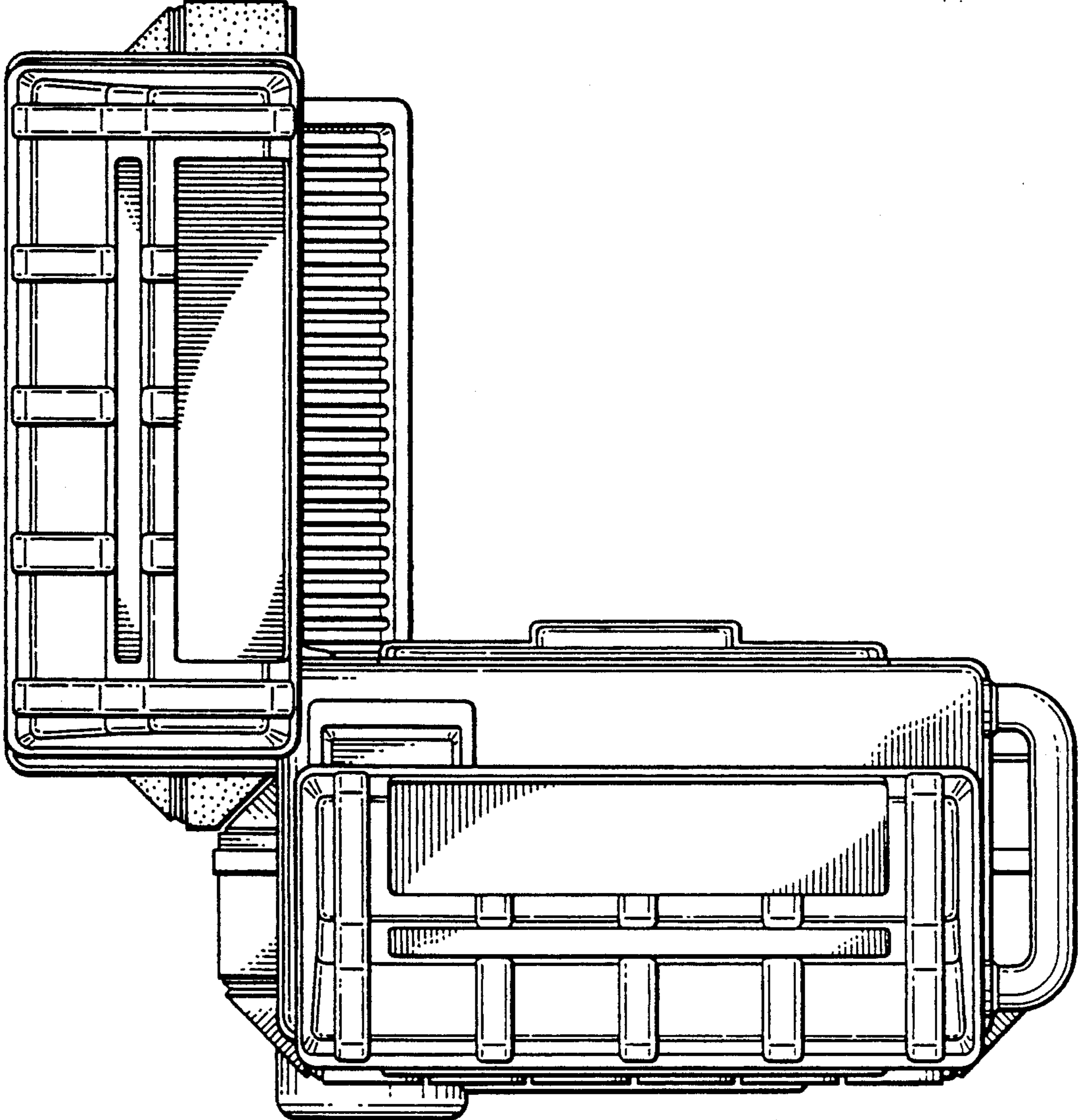


FIG. 2

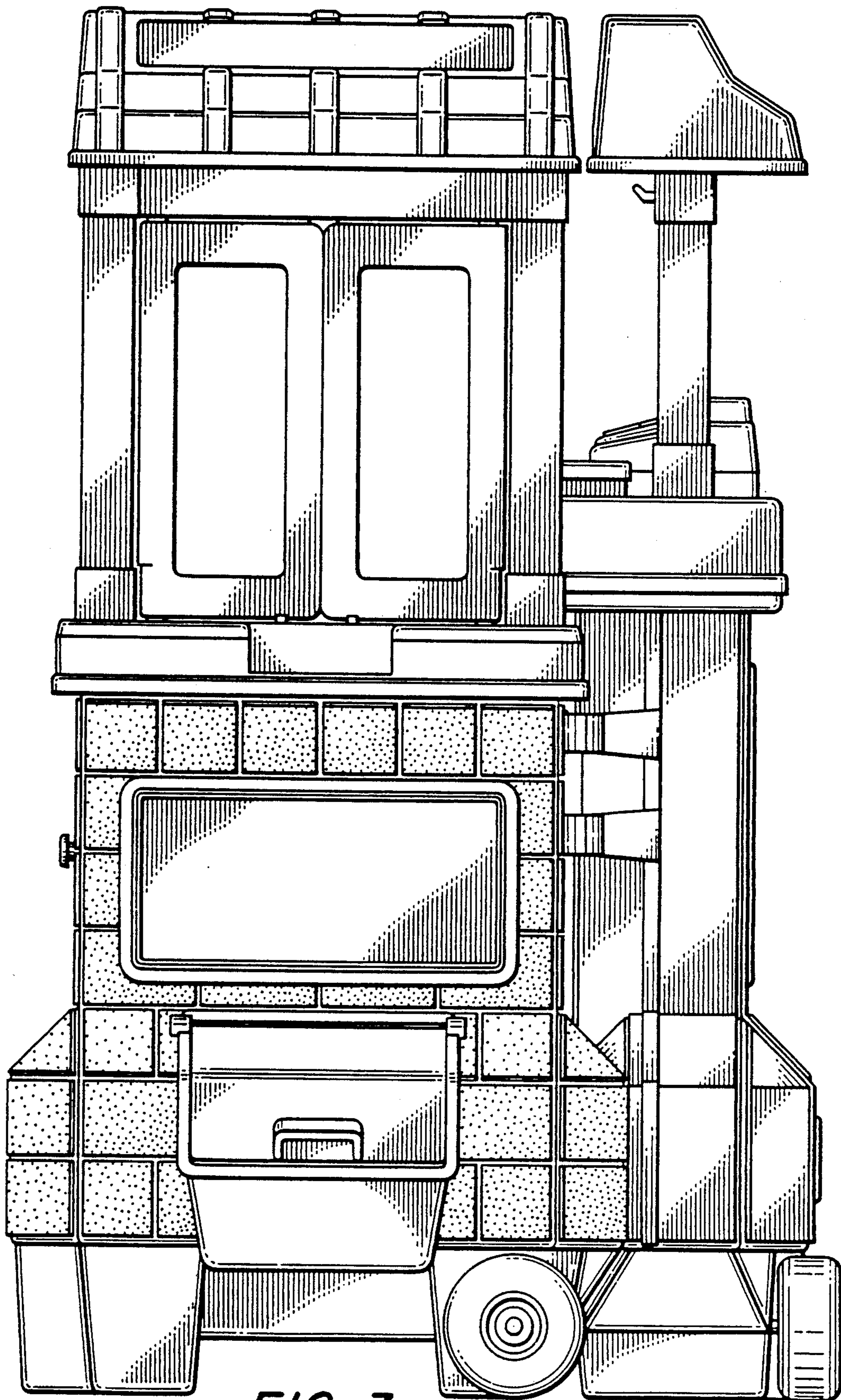


FIG. 3

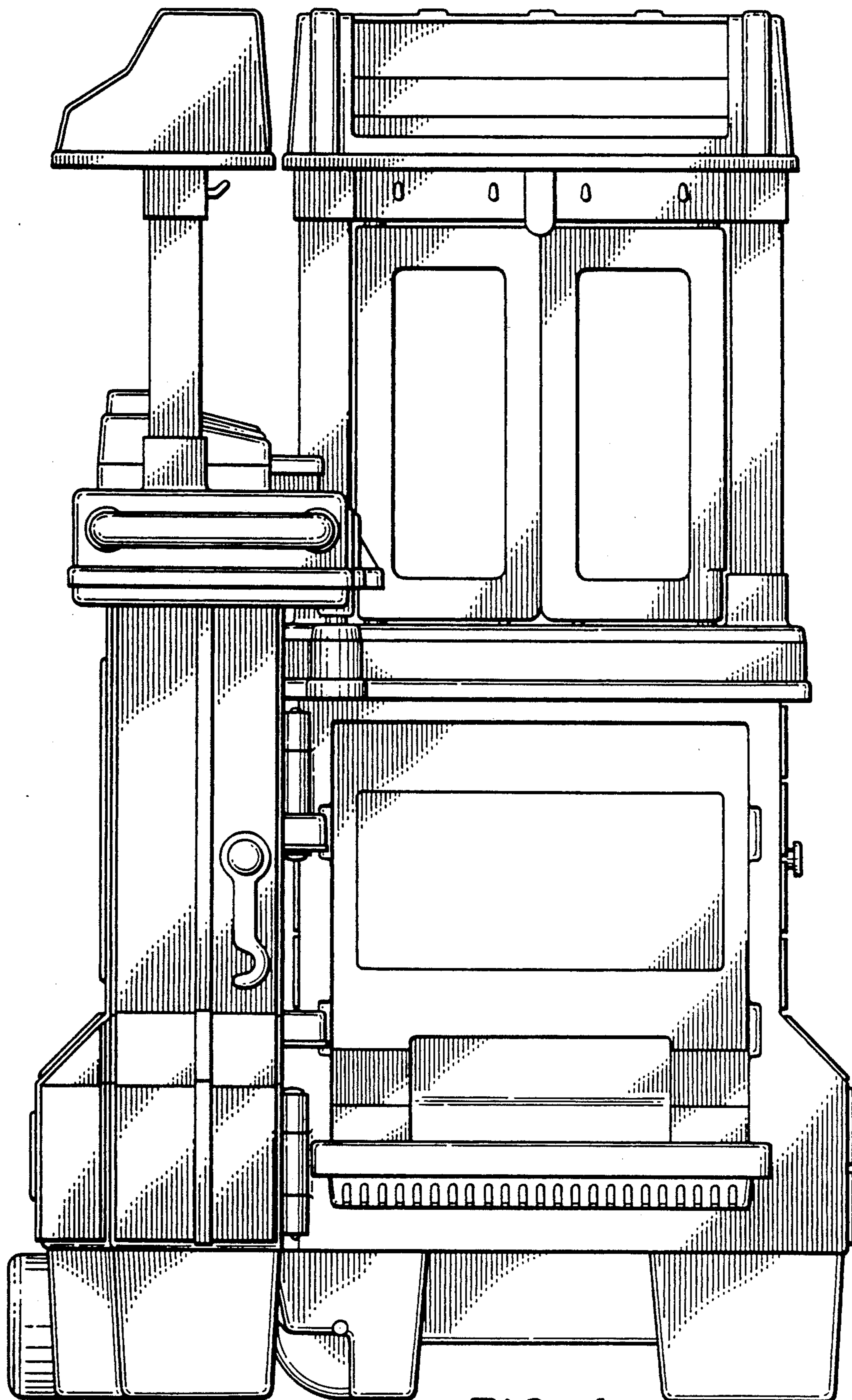


FIG. 4

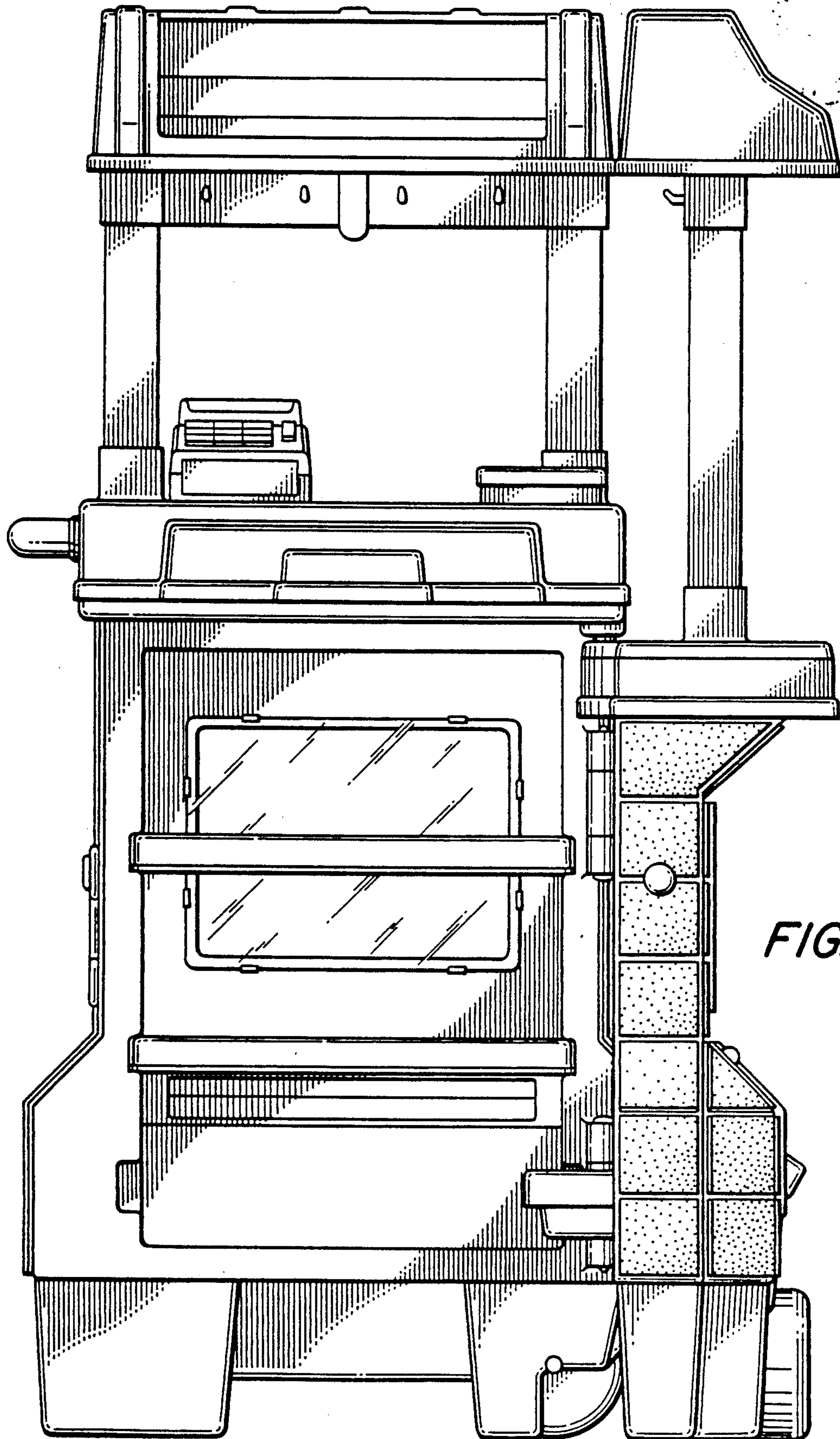


FIG. 5

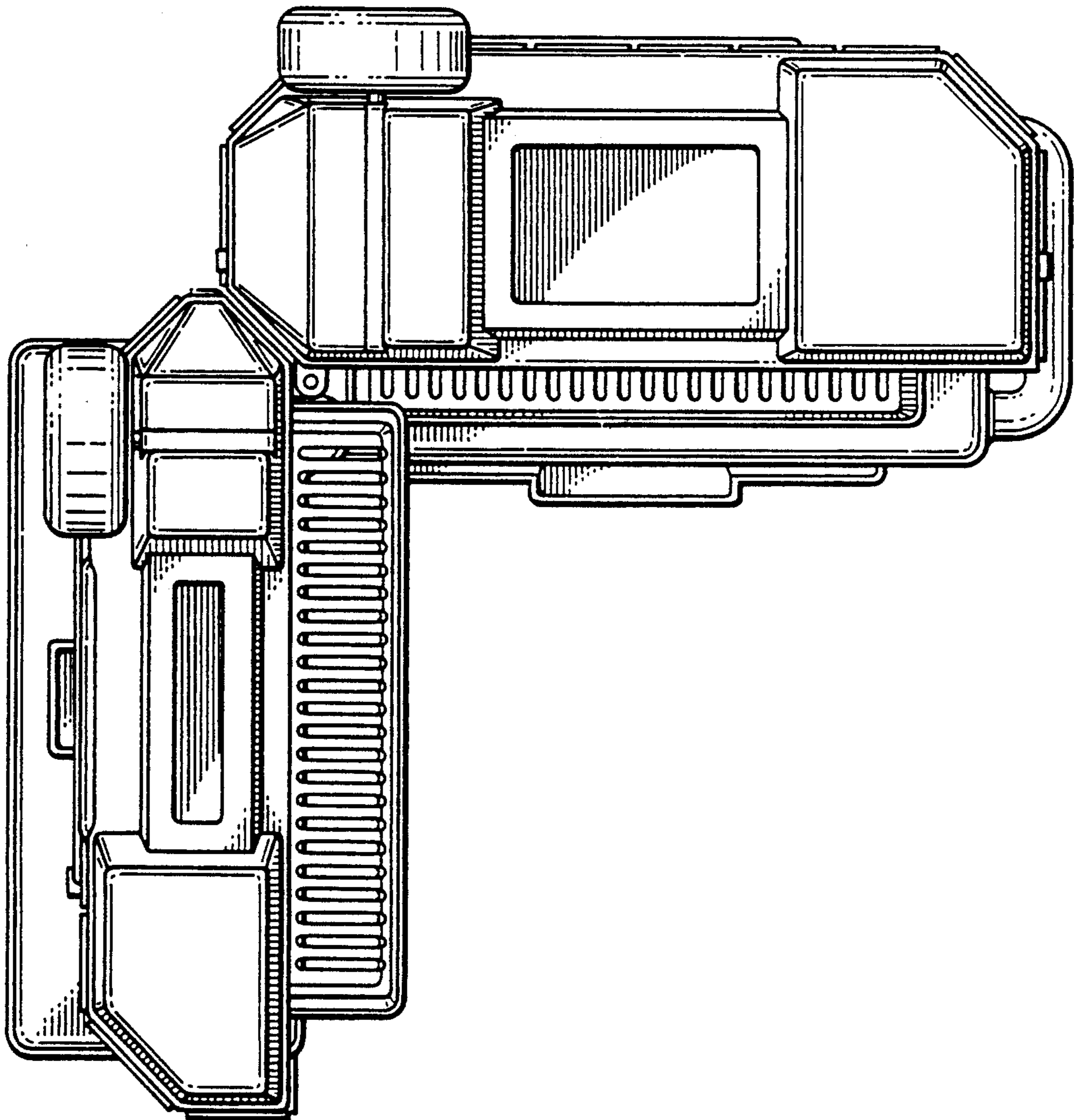
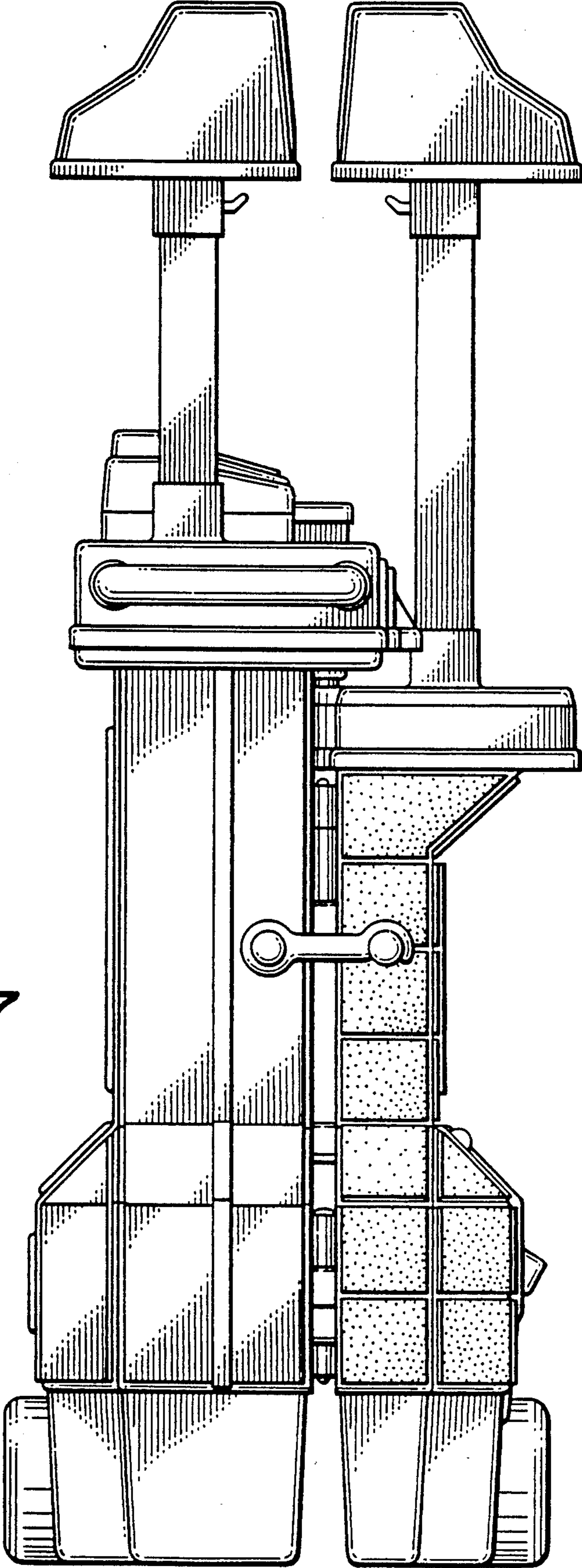


FIG. 6



*FIG. 7*