

United States Patent [19]
Olsen

[11] **Patent Number: Des. 315,182**
[45] **Date of Patent: ** Mar. 5, 1991**

[54] **TOY CONSTRUCTION ELEMENT**

[75] **Inventor: Flemming H. Olsen, Espergaerde, Denmark**

[73] **Assignee: Interlego AG, Switzerland**

[**] **Term: 14 Years**

[21] **Appl. No.: 394,193**

[22] **Filed: Aug. 15, 1989**

[30] **Foreign Application Priority Data**

Feb. 24, 1989 [DK] Denmark MA02221989

[52] **U.S. Cl. D21/108**

[58] **Field of Search D21/108; D25/113, 115, D25/118; 446/102, 104, 105, 106, 107, 108, 109, 111, 112, 113, 114, 115, 116, 117, 120, 121, 122, 124, 125, 128**

[56] **References Cited**

U.S. PATENT DOCUMENTS

2,486,550 11/1949 Bonkowski 446/124
3,654,726 4/1972 Witte 446/120
3,890,738 6/1975 Bassani 446/111

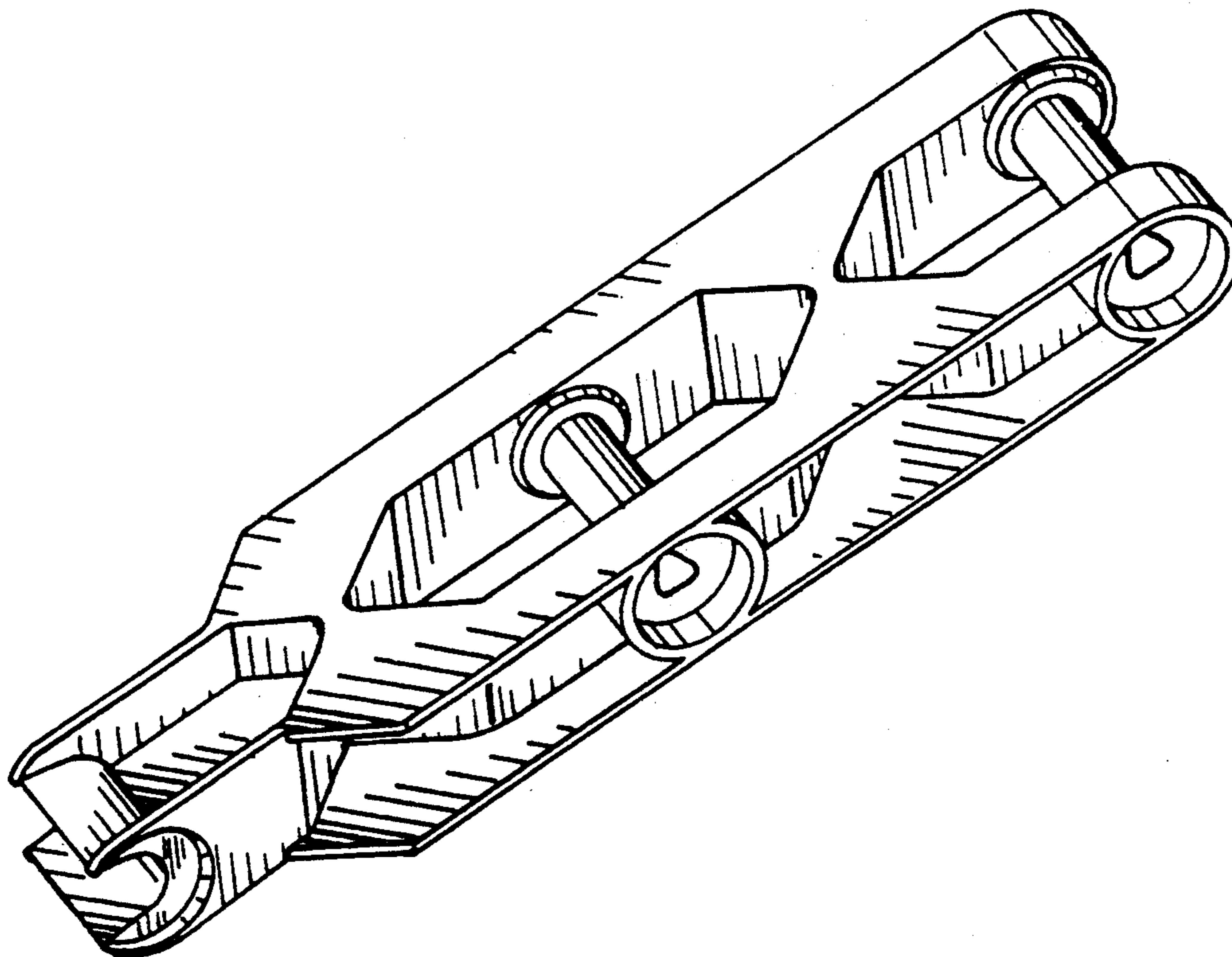
Primary Examiner—Charles A. Rademaker
Attorney, Agent, or Firm—Kane, Dalsimer, Sullivan, Kurucz, Levy, Eisele and Richard

[57] **CLAIM**

The ornamental design for a toy construction element, as shown and described.

DESCRIPTION

FIG. 1 is a top perspective view of a toy construction element showing my new design;
FIG. 2 is a bottom perspective view thereof;
FIG. 3 is a top plan view thereof;
FIG. 4 is a front elevational view thereof;
FIG. 5 is a right side elevational view thereof;
FIG. 6 is a left side elevational view thereof; and
FIG. 7 is a rear elevational view thereof.



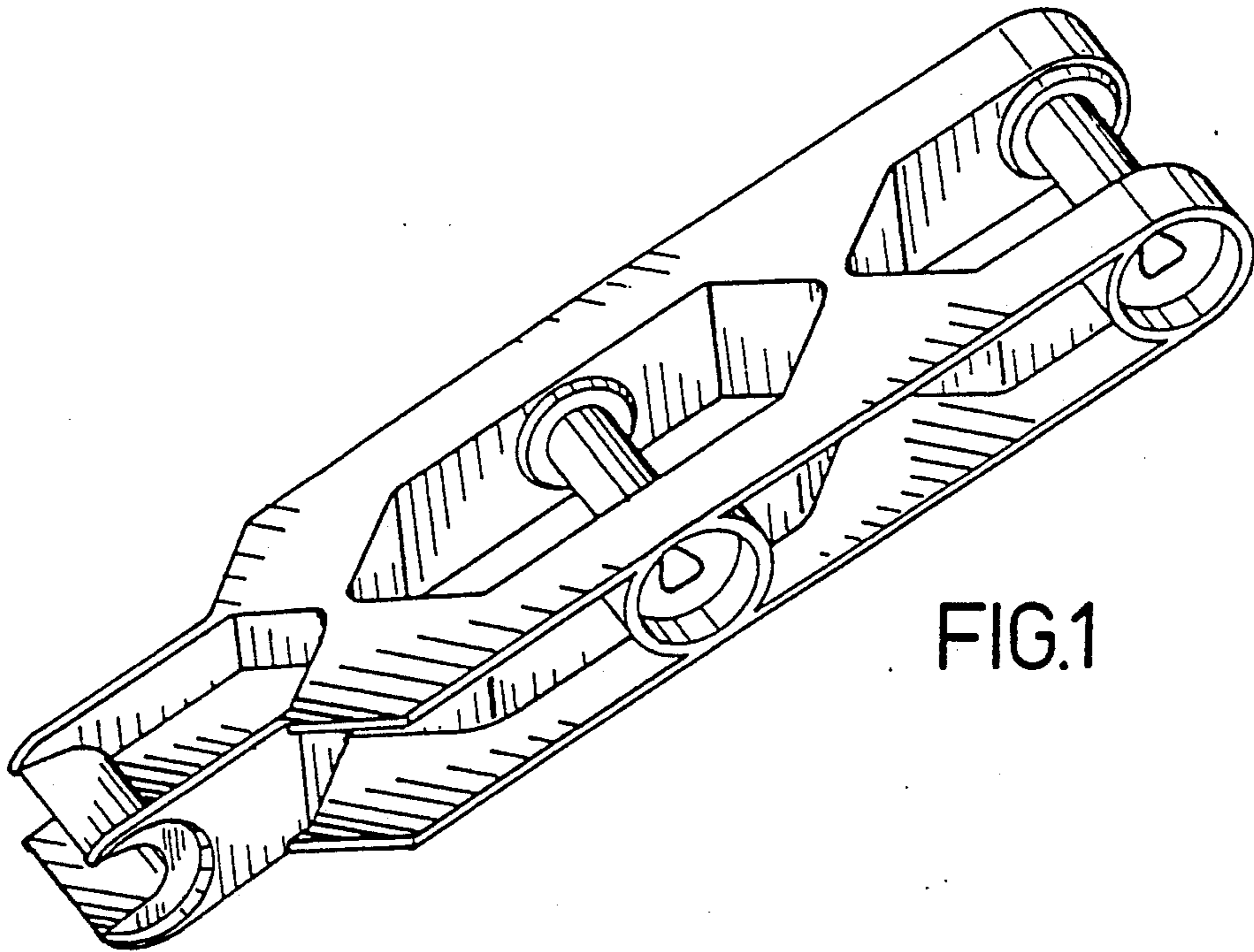


FIG.1

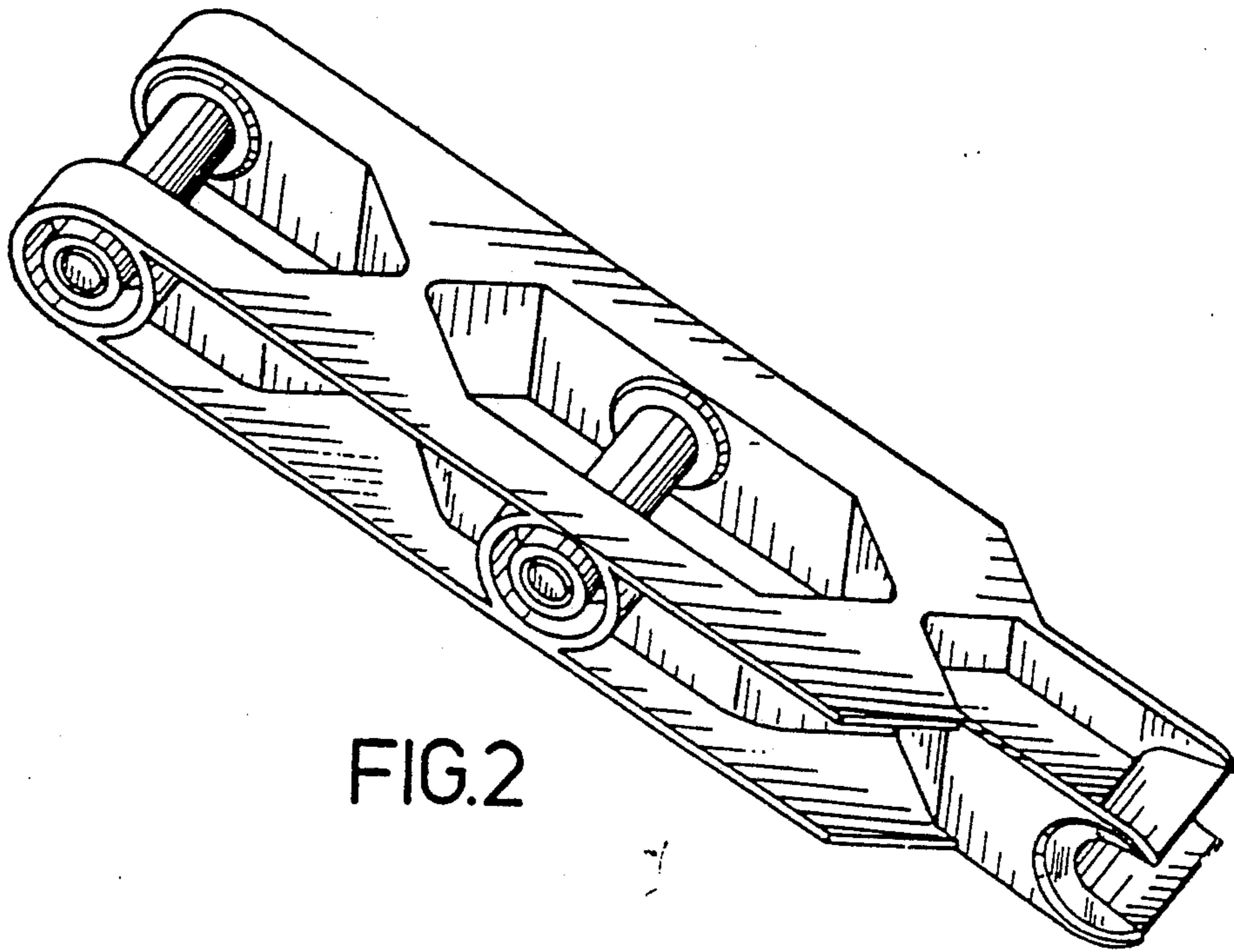


FIG.2

FIG.4

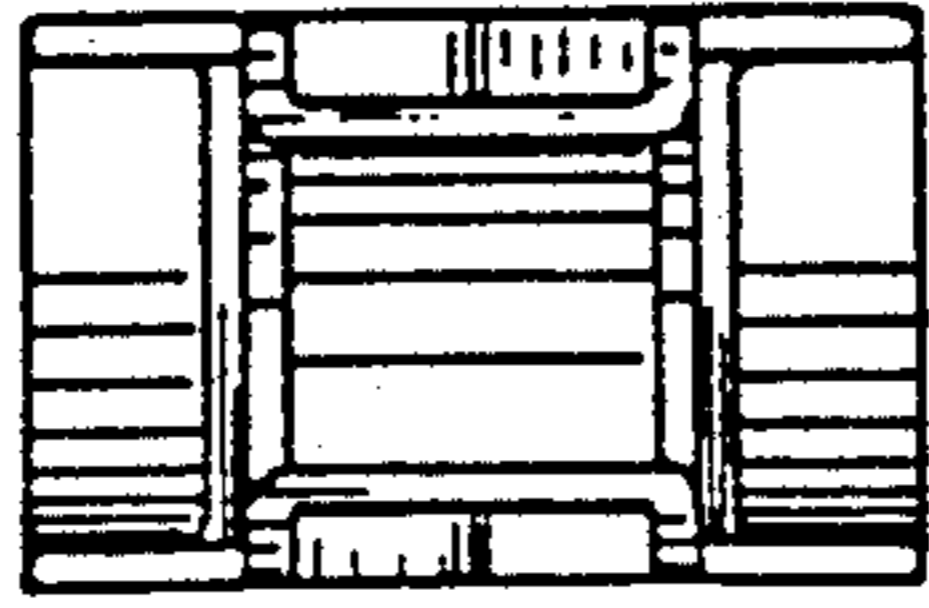


FIG.7

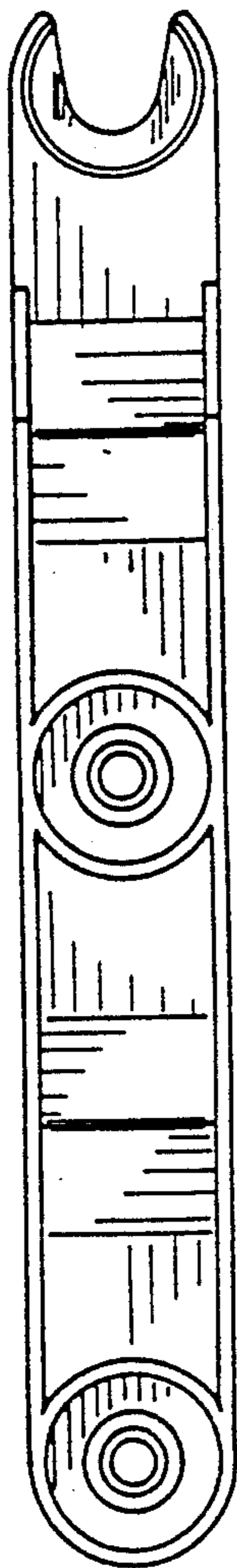
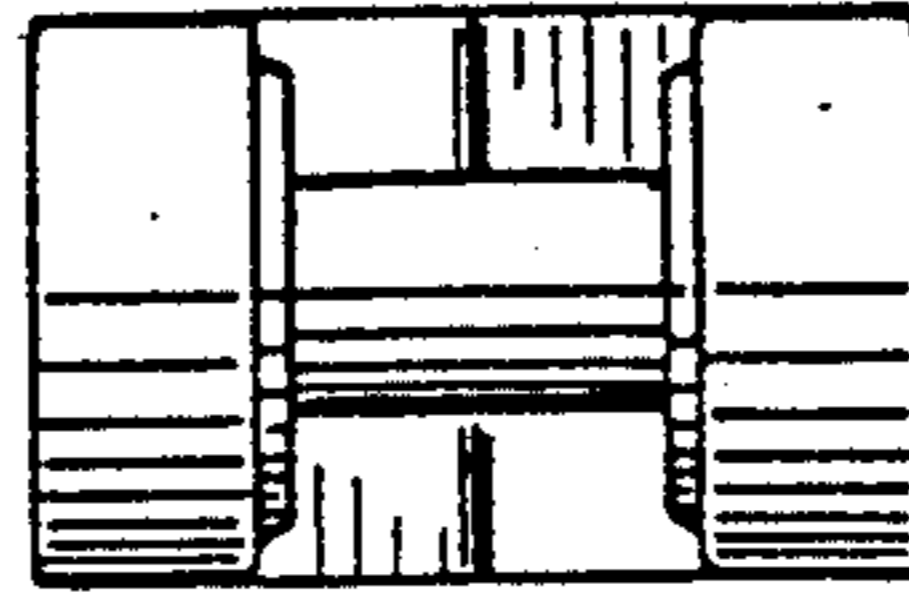


FIG.5

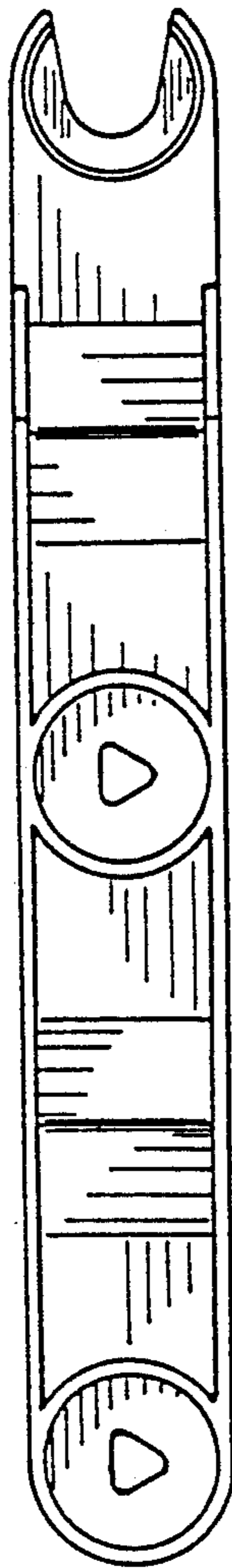


FIG.6

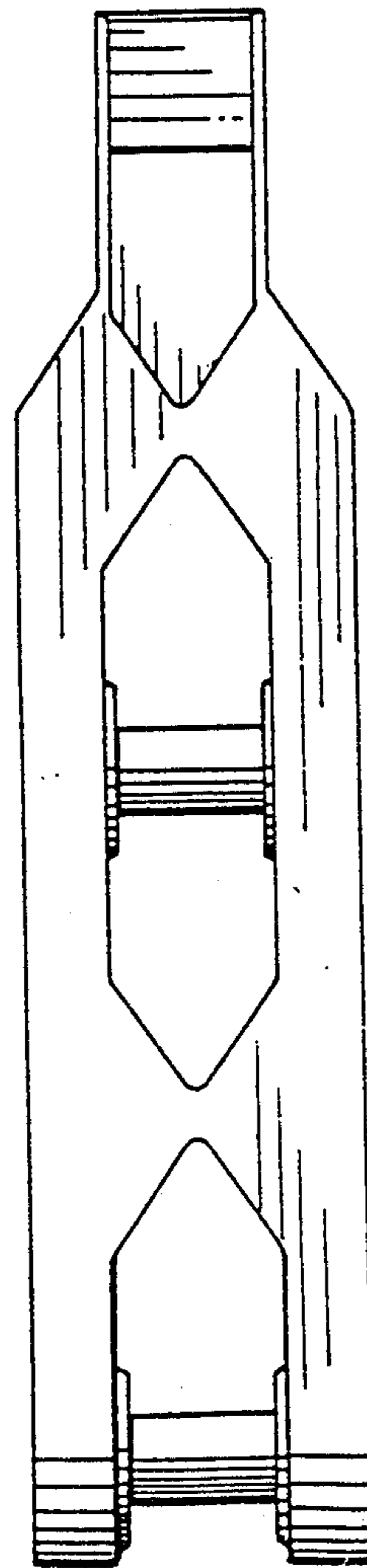


FIG.3