

[54] **ROCKING PONY**
[75] Inventor: **Jeffrey T. Halter**, East Aurora, N.Y.
[73] Assignee: **The Quaker Oats Company**, Chicago, Ill.
[**] Term: **14 Years**
[21] Appl. No.: **211,402**
[22] Filed: **Jun. 24, 1988**
[52] U.S. Cl. **D21/70**
[58] Field of Search **D21/70, 66, 68, 69, D21/70, 75, 165; 272/52, 52.5, 53.1, 53.2**

D. 225,759 1/1973 Holman D21/70
D. 274,342 6/1984 Snyder et al. D21/70
D. 275,975 10/1984 Ciganko D21/66
D. 278,923 5/1985 Anderson D21/165

Primary Examiner—Charles A. Rademaker
Attorney, Agent, or Firm—Cumpston & Shaw

[57] **CLAIM**

The ornamental design for a rocking pony, as shown and described.

DESCRIPTION

FIG. 1 is a left-side elevational view of a rocking pony showing my new design;
FIG. 2 is a top plan view thereof;
FIG. 3 is a right-side elevational view thereof;
FIG. 4 is a front elevational view thereof;
FIG. 5 is a rear elevational view thereof; and
FIG. 6 is a bottom plan view thereof.

[56] **References Cited**
U.S. PATENT DOCUMENTS
D. 140,714 4/1945 Horowitz D21/70
D. 180,750 8/1957 Rassier D21/70
D. 212,858 12/1968 Campbell D21/165

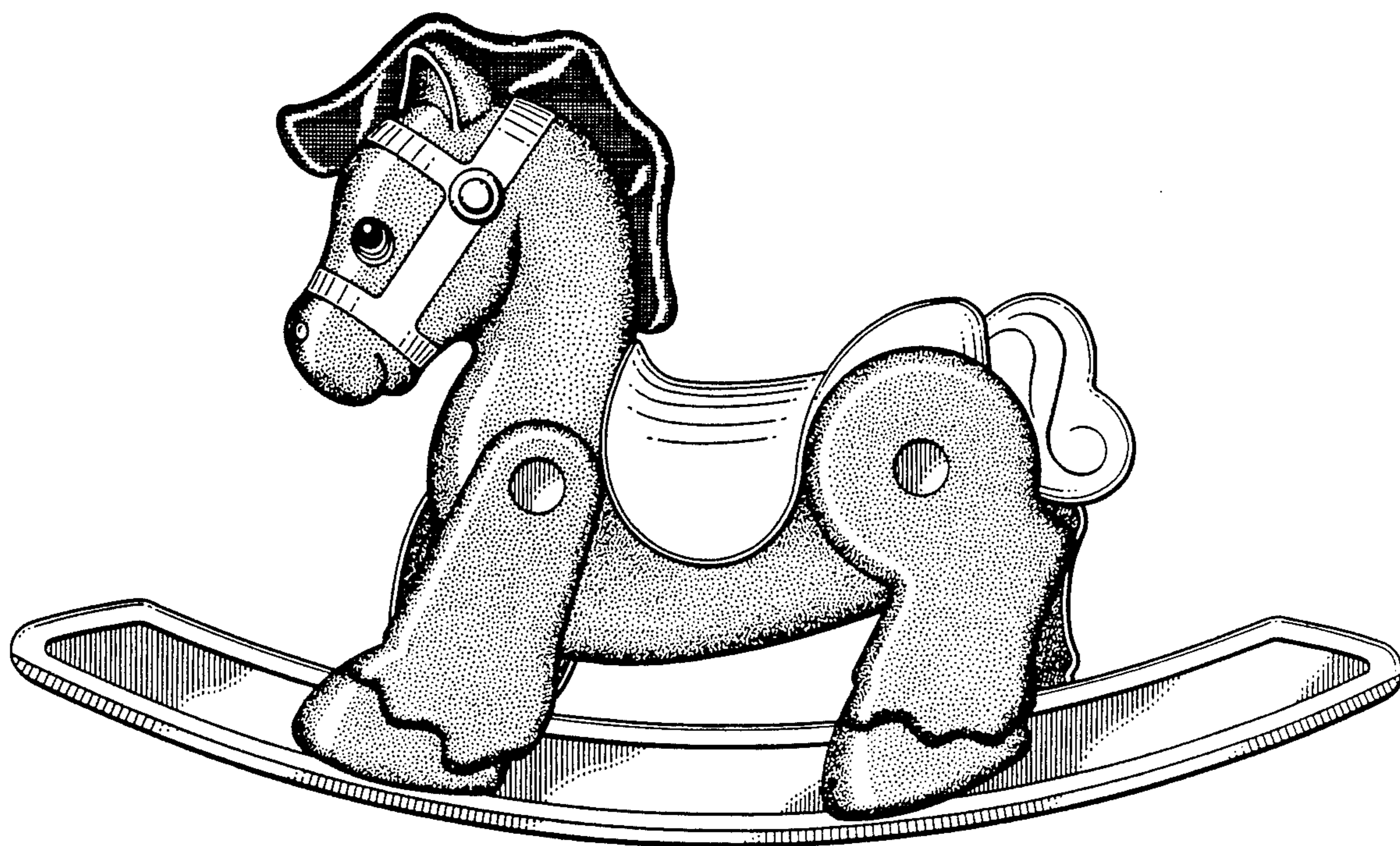
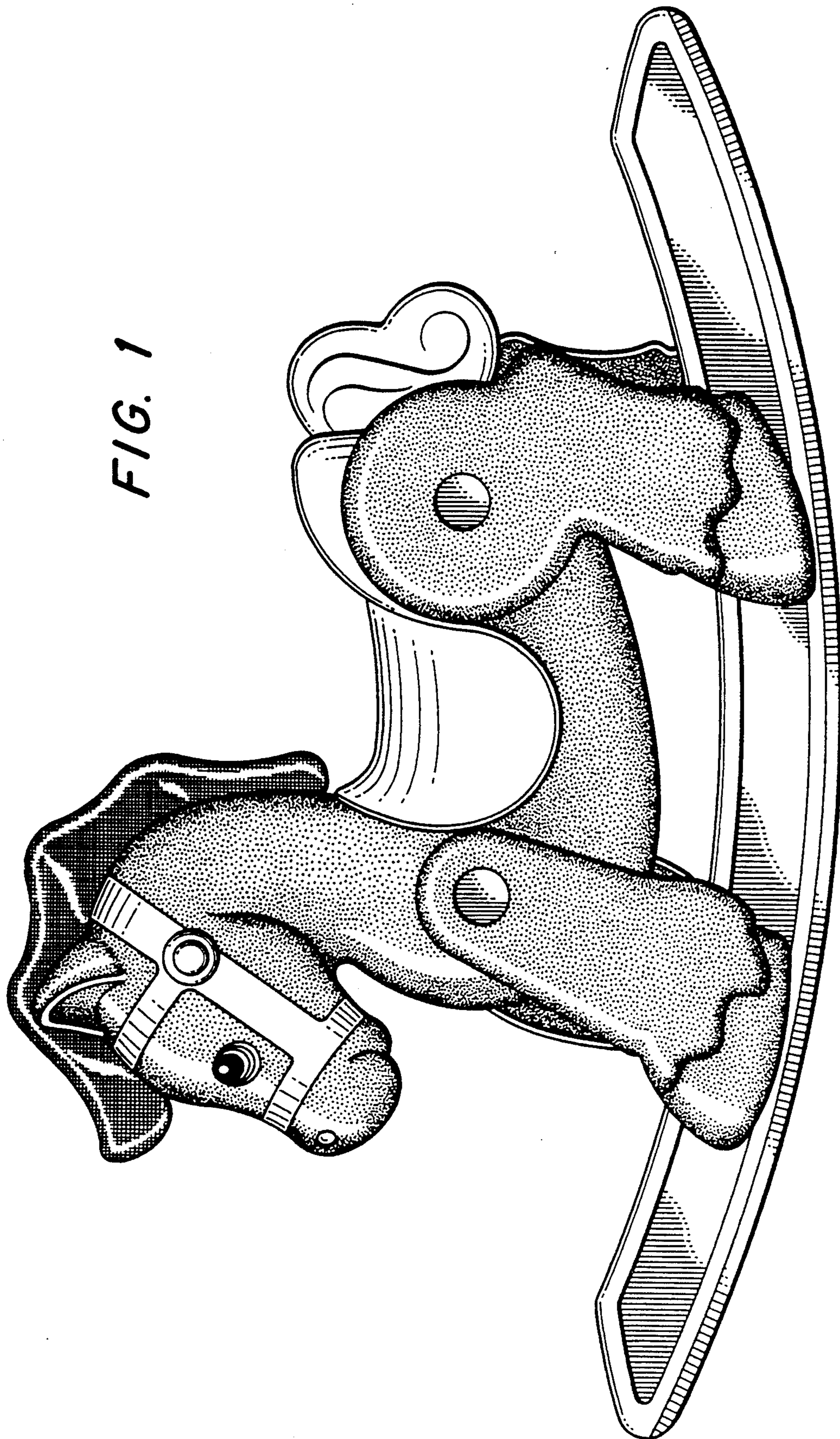


FIG. 1



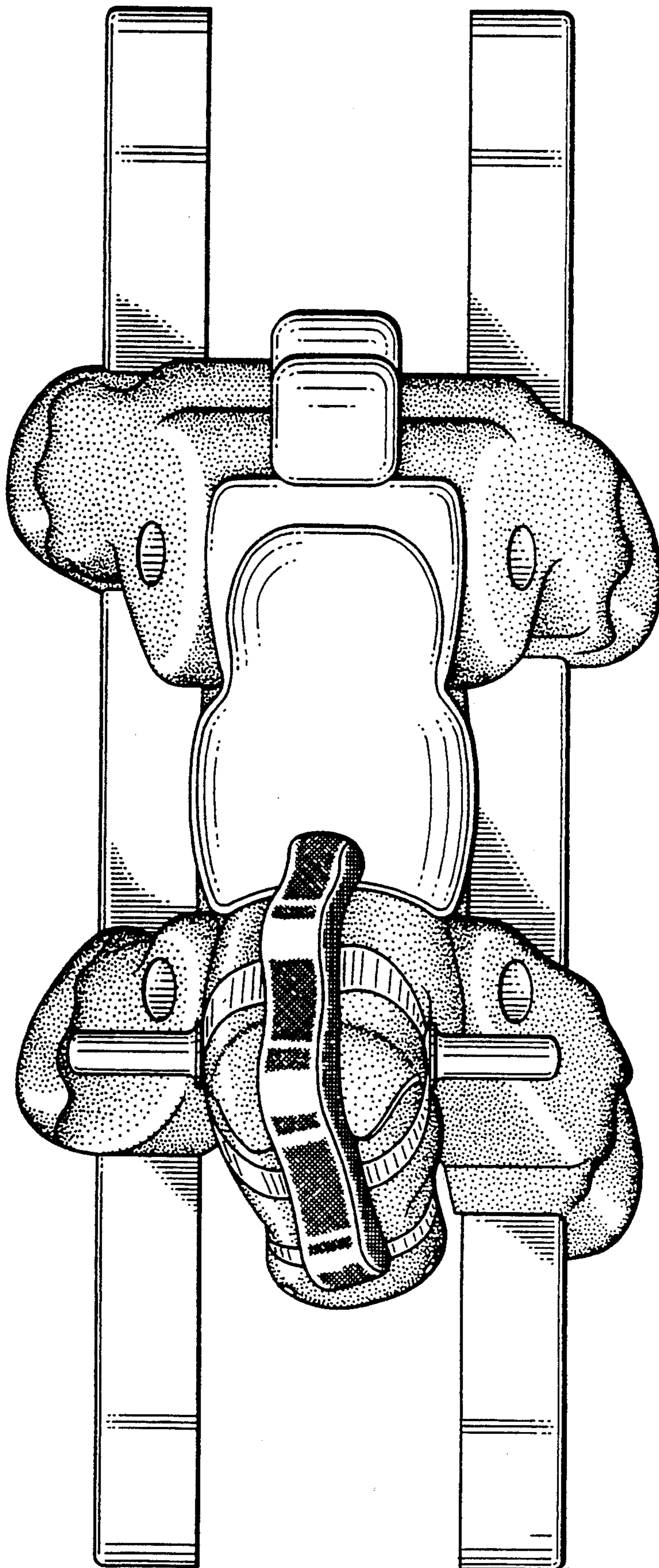


FIG. 2

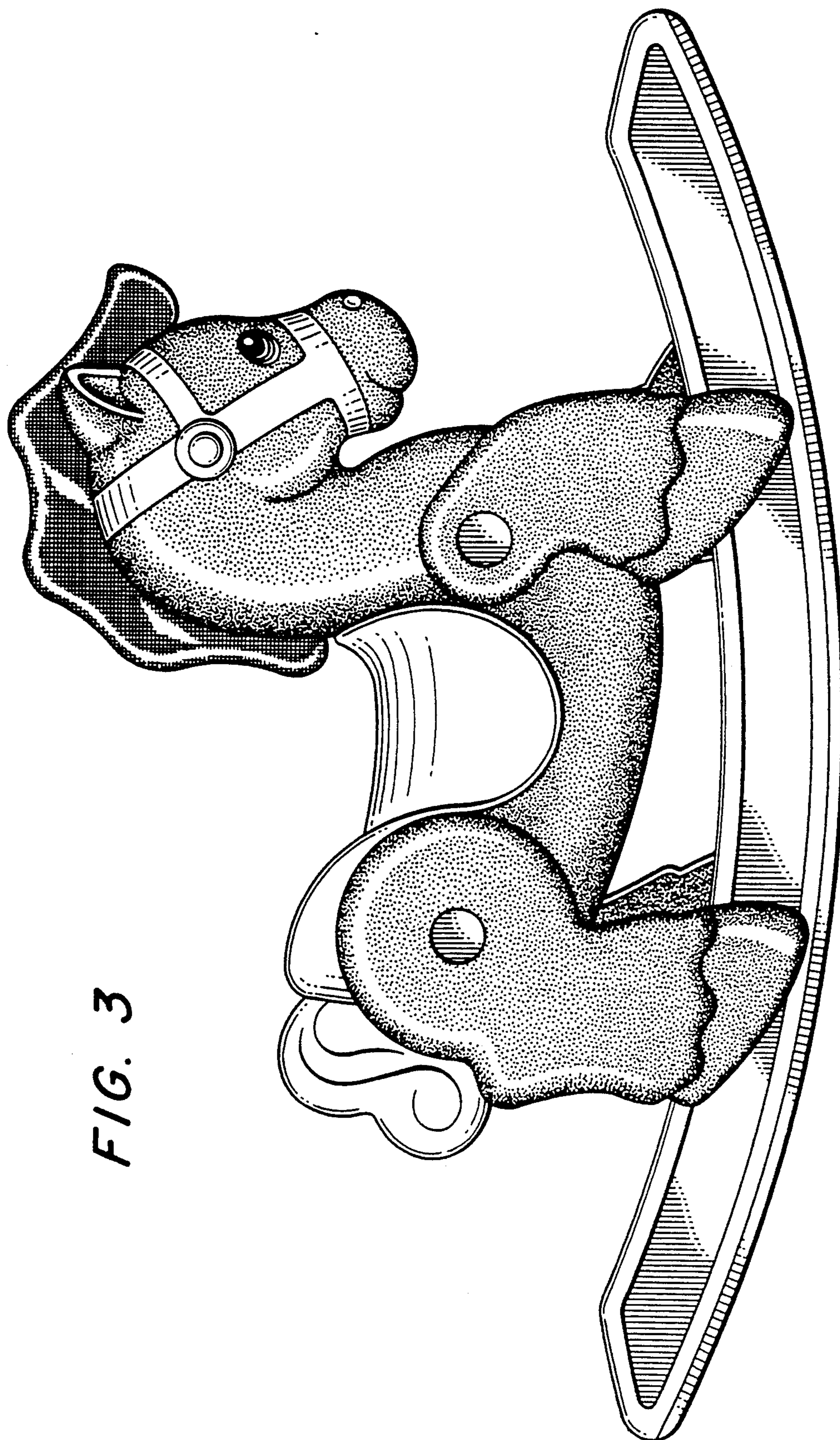


FIG. 3

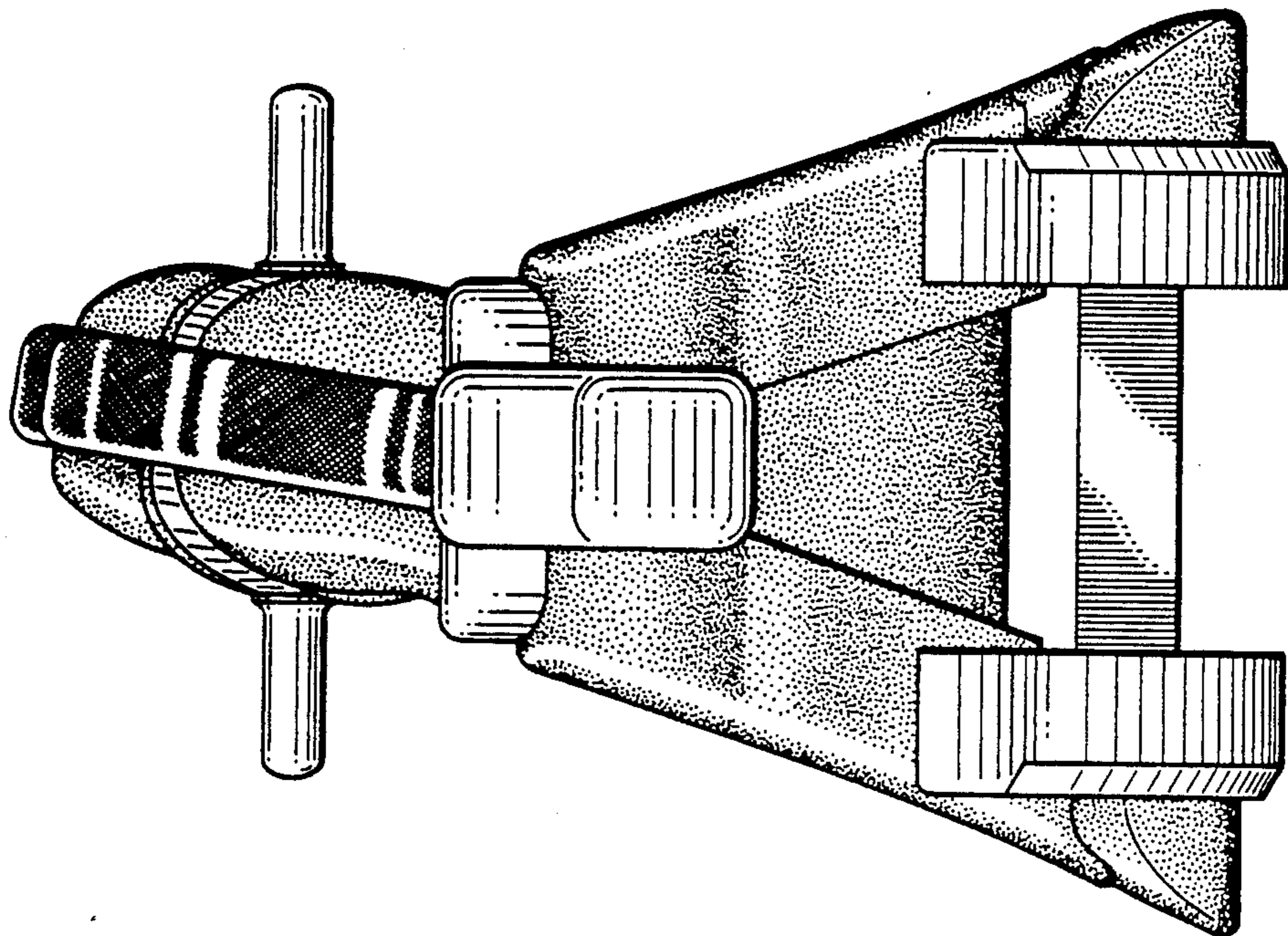


FIG. 5

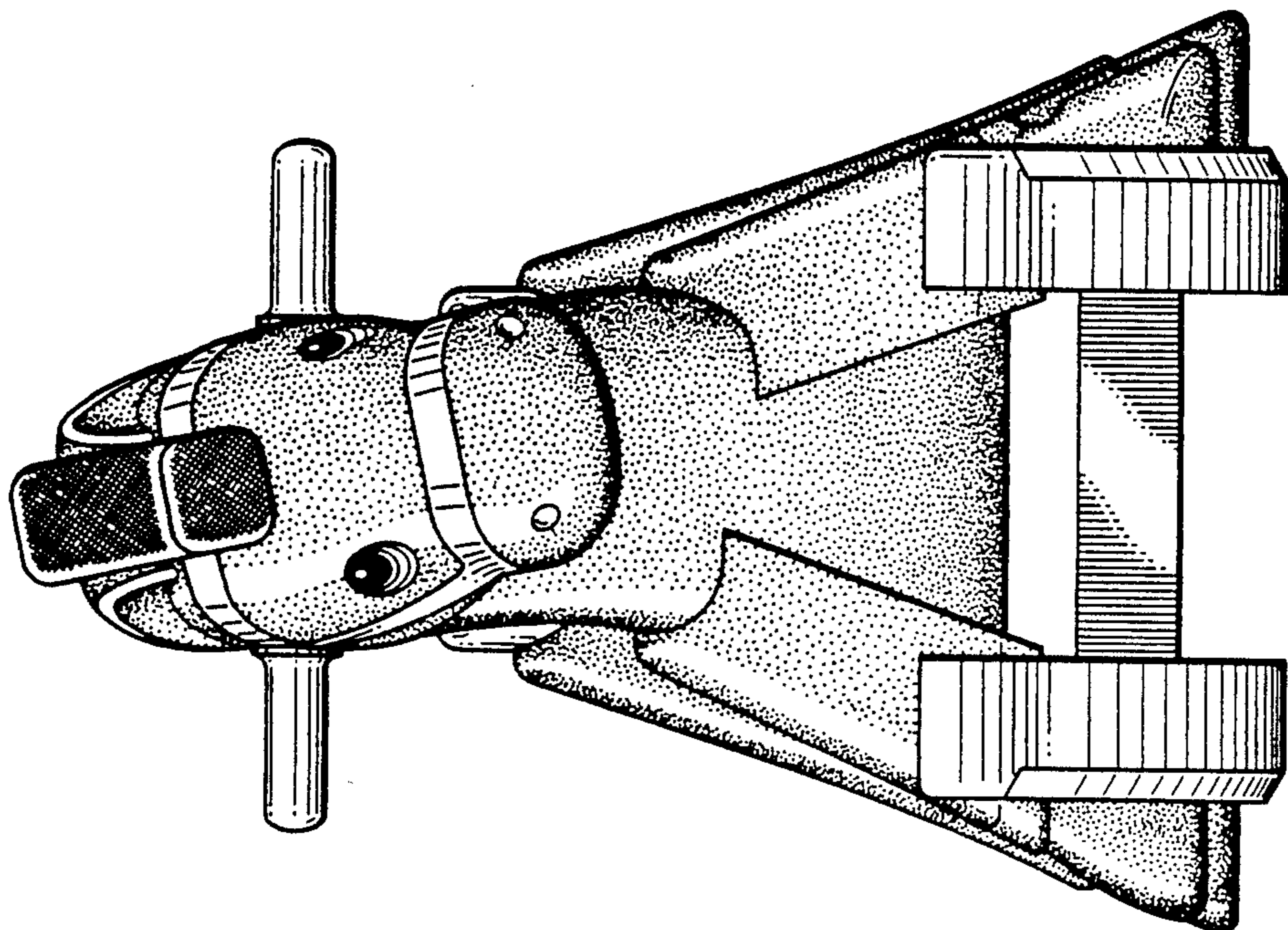


FIG. 4

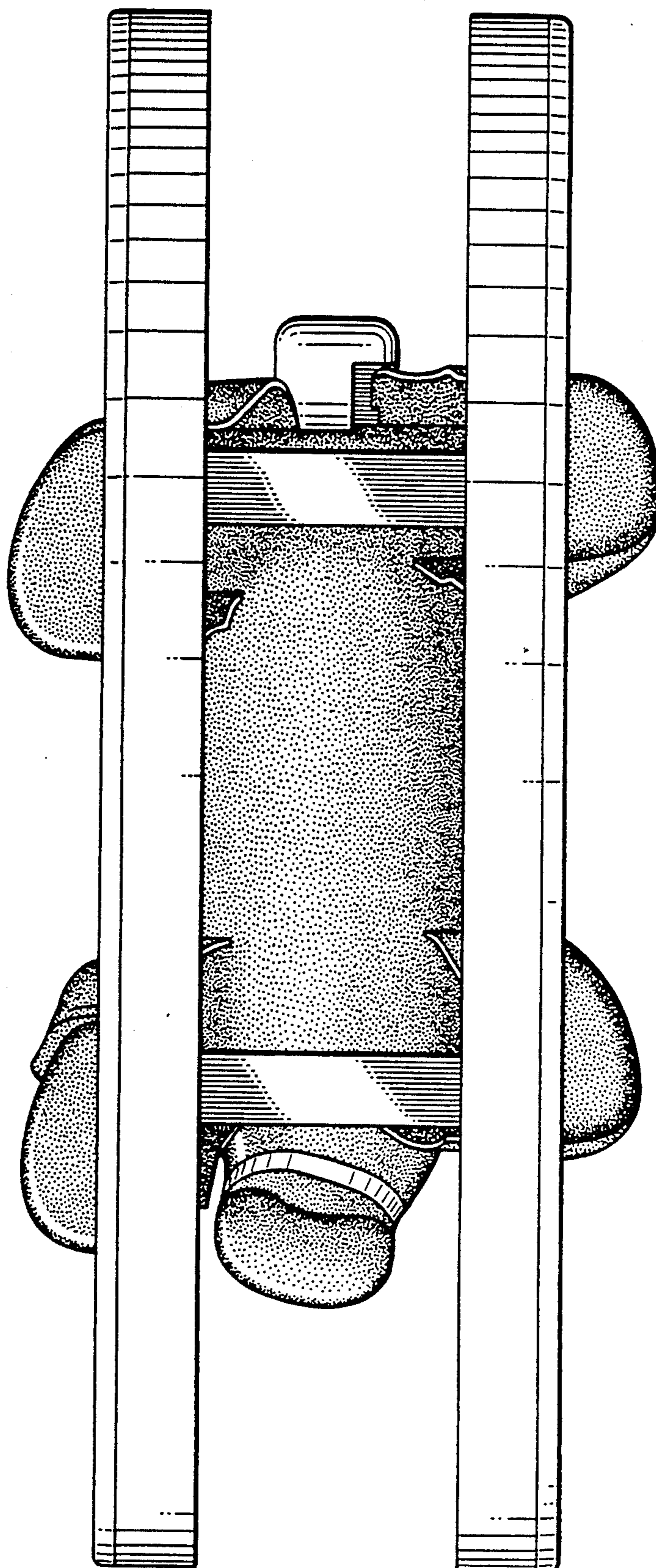


FIG. 6