

[54] PHOTOGRAPHIC CAMERA

[75] Inventors: Bruce A. Leonard, Honeoye Falls, N.Y.; James S. Couch, Powell; Robert W. Mervar, Columbus, both of Ohio

[73] Assignee: Eastman Kodak Company, Rochester, N.Y.

[**] Term: 14 Years

[21] Appl. No.: 169,185

[22] Filed: Mar. 16, 1988

[52] U.S. Cl. D16/200; D16/217

[58] Field of Search D16/200, 201, 202-206, D16/208, 209, 213, 216, 217, 218, 219, 220; 354/64, 82, 229-288, 293; 358/229, 906, 909

[56] References Cited

U.S. PATENT DOCUMENTS

D. 187,248	2/1960	Sampson	D16/202
D. 244,931	7/1977	Miller et al.	D16/205
D. 284,973	8/1986	Hansen	D16/209
D. 307,029	4/1990	Tominaga et al.	D16/203

FOREIGN PATENT DOCUMENTS

60-132472	7/1985	Japan	354/288
0934033	8/1963	United Kingdom	354/293

OTHER PUBLICATIONS

Modern Photography, Mar. 1987, p.10, (Casio VS-101).

Primary Examiner—Bernard Ansher
Assistant Examiner—Adir Aronovich
Attorney, Agent, or Firm—Roger A. Fields

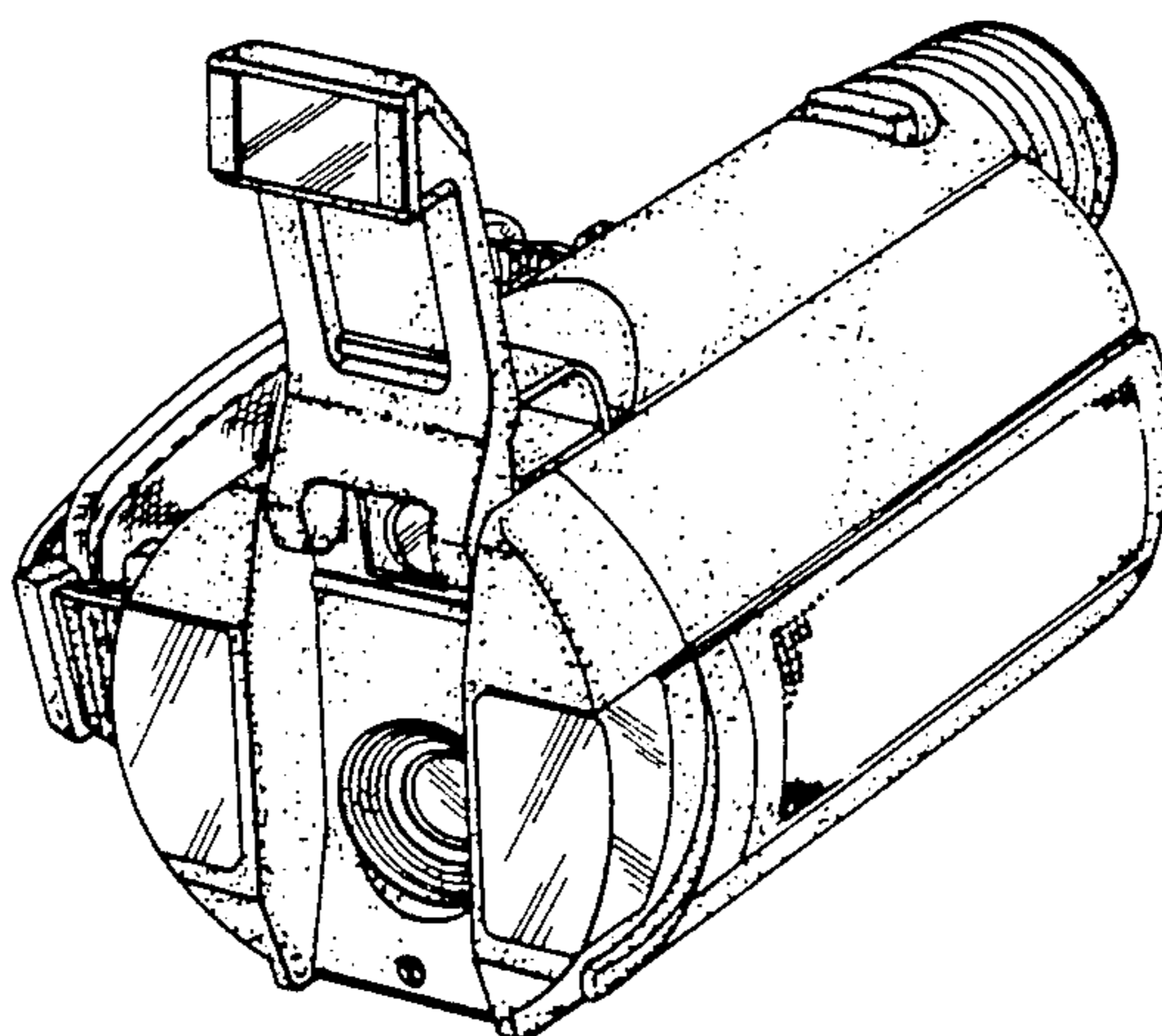
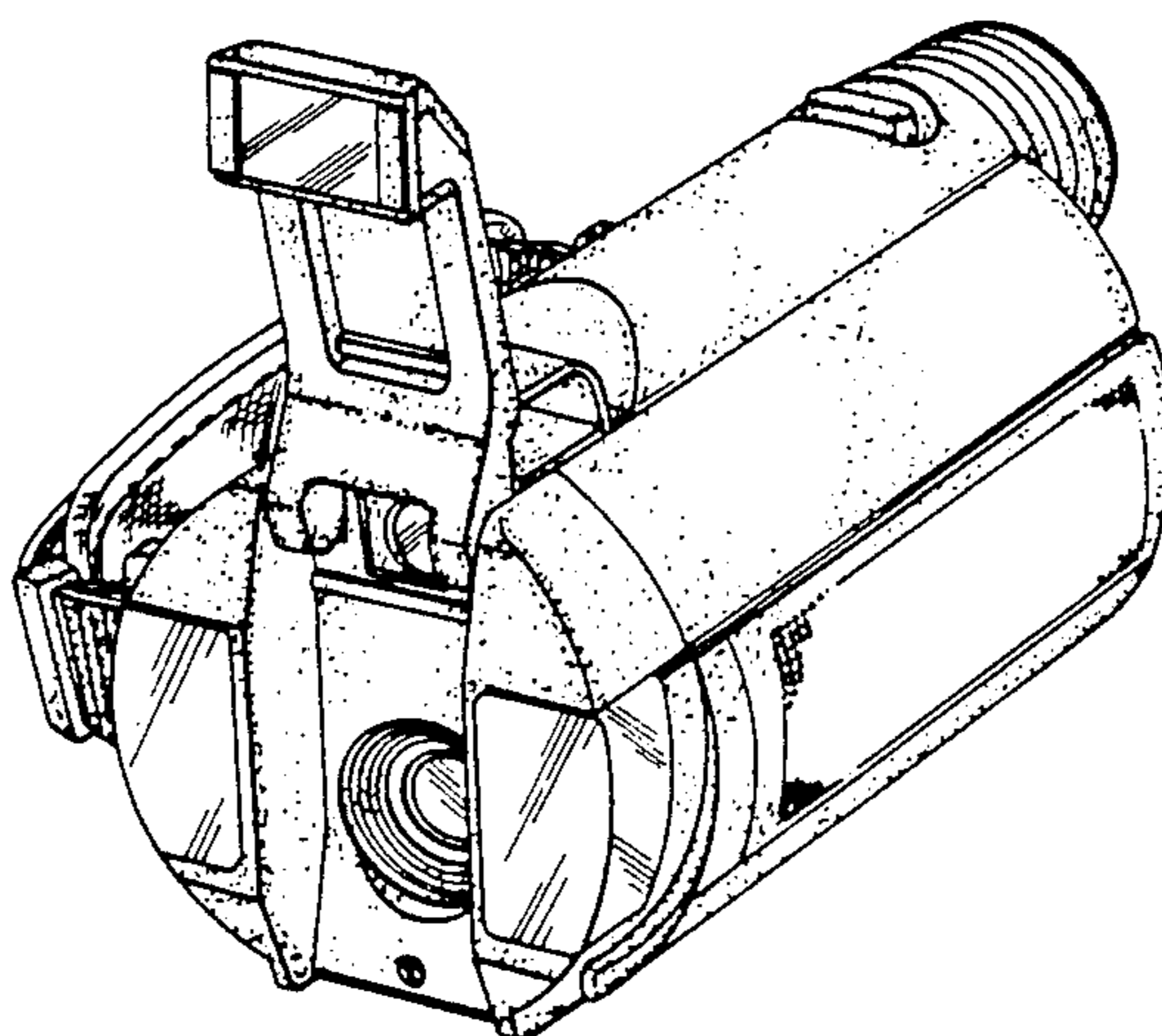
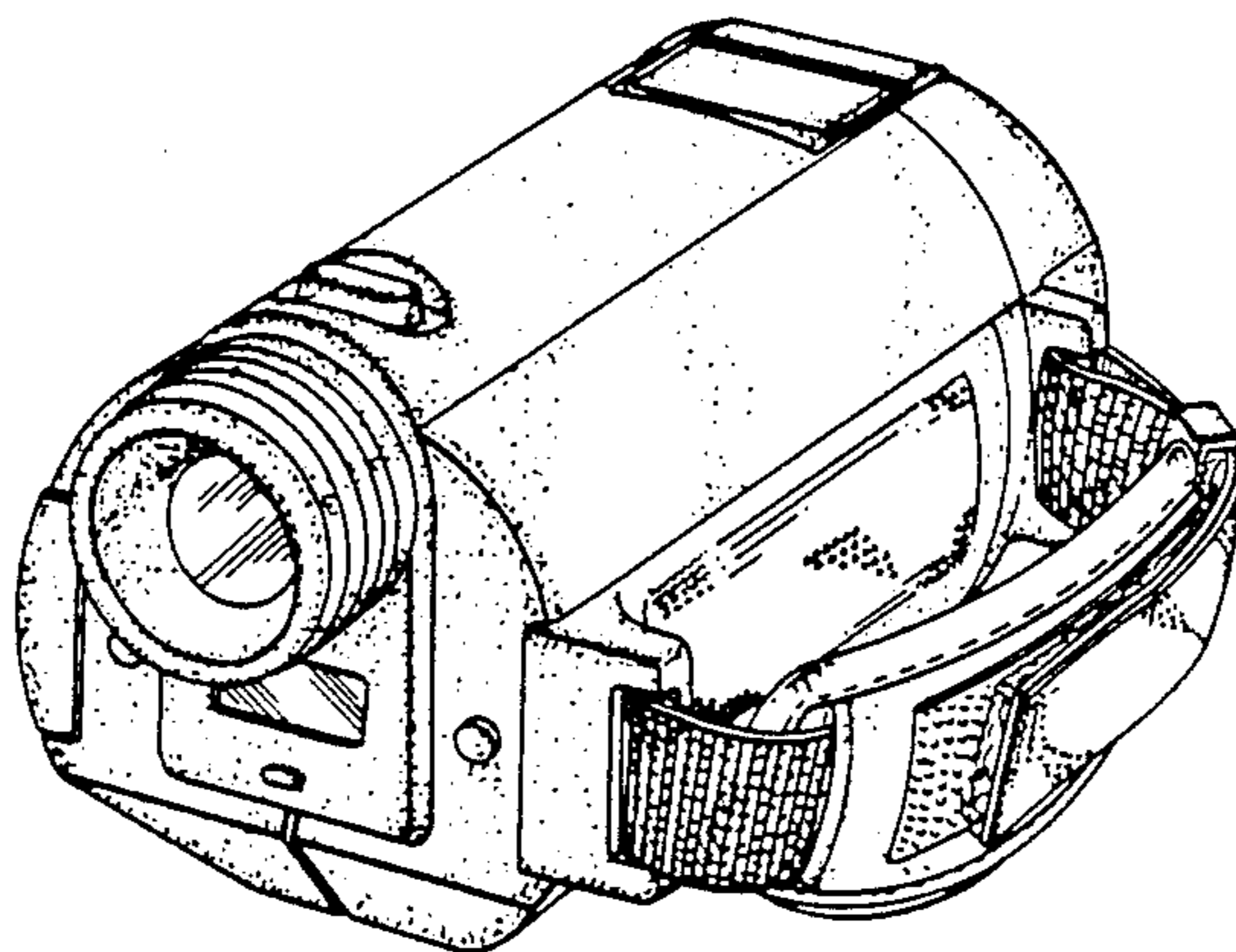
[57] CLAIM

The ornamental design for a photographic camera, as shown and described.

DESCRIPTION

FIG. 1 is a right rear perspective view of a photographic camera showing our new design; FIG. 2 is a left front perspective view thereof, with a combined lens cover and flash unit in a closed position; FIG. 3 is a left front perspective view thereof, with the combined lens cover and flash unit in an erected position.

The ornamental face plate pattern is understood to continue uniformly through the area of said face plate.



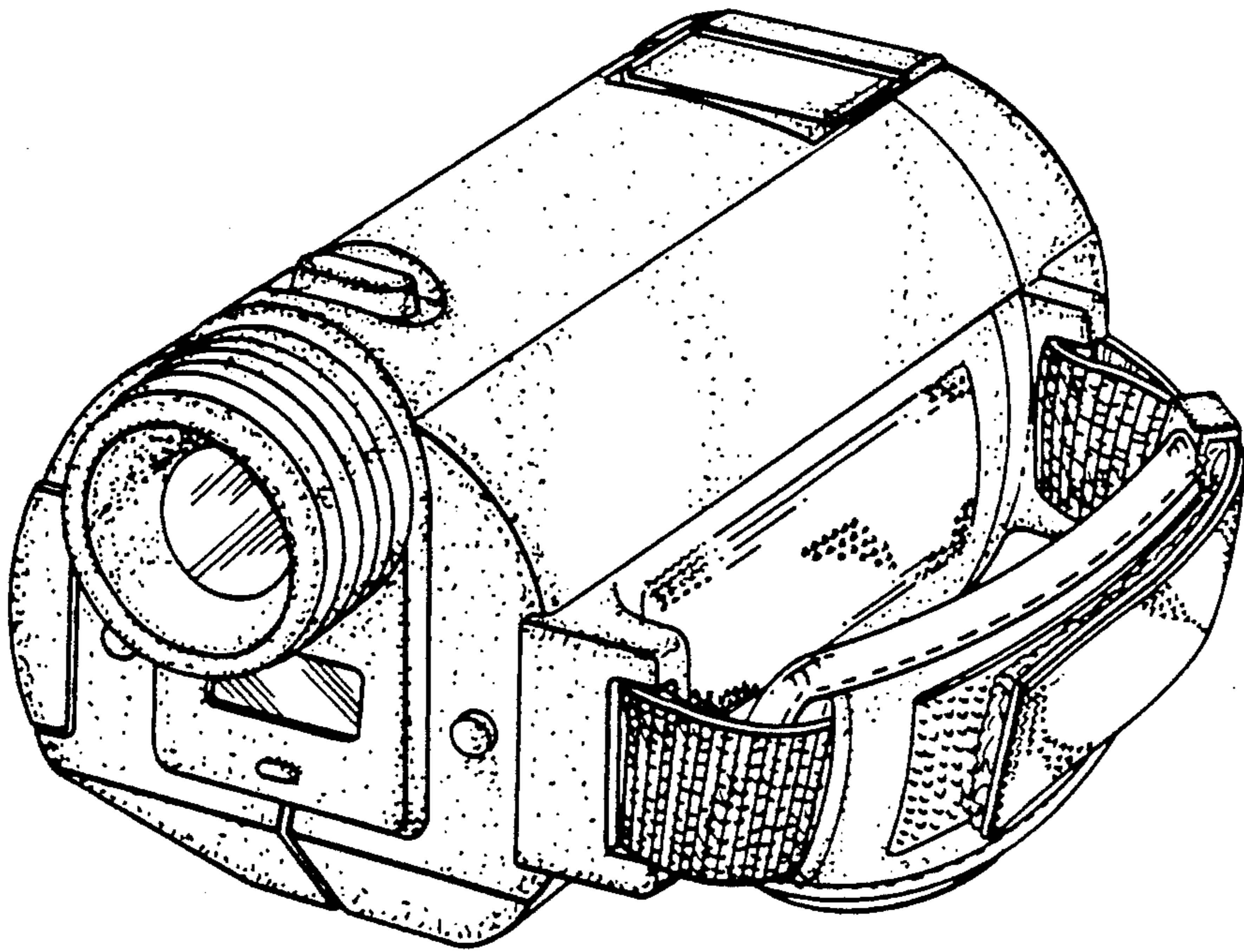


FIG. 1

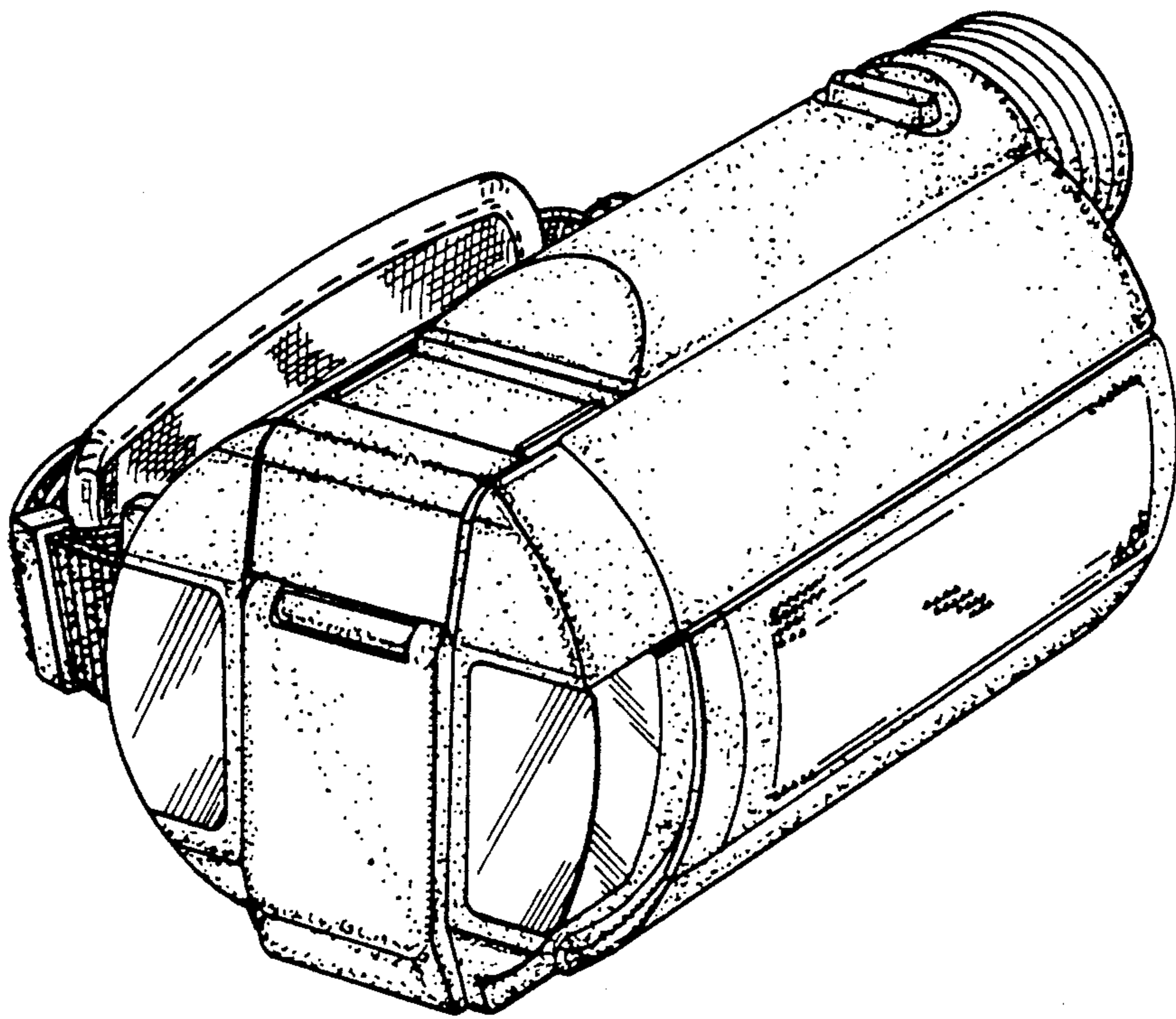


FIG. 2

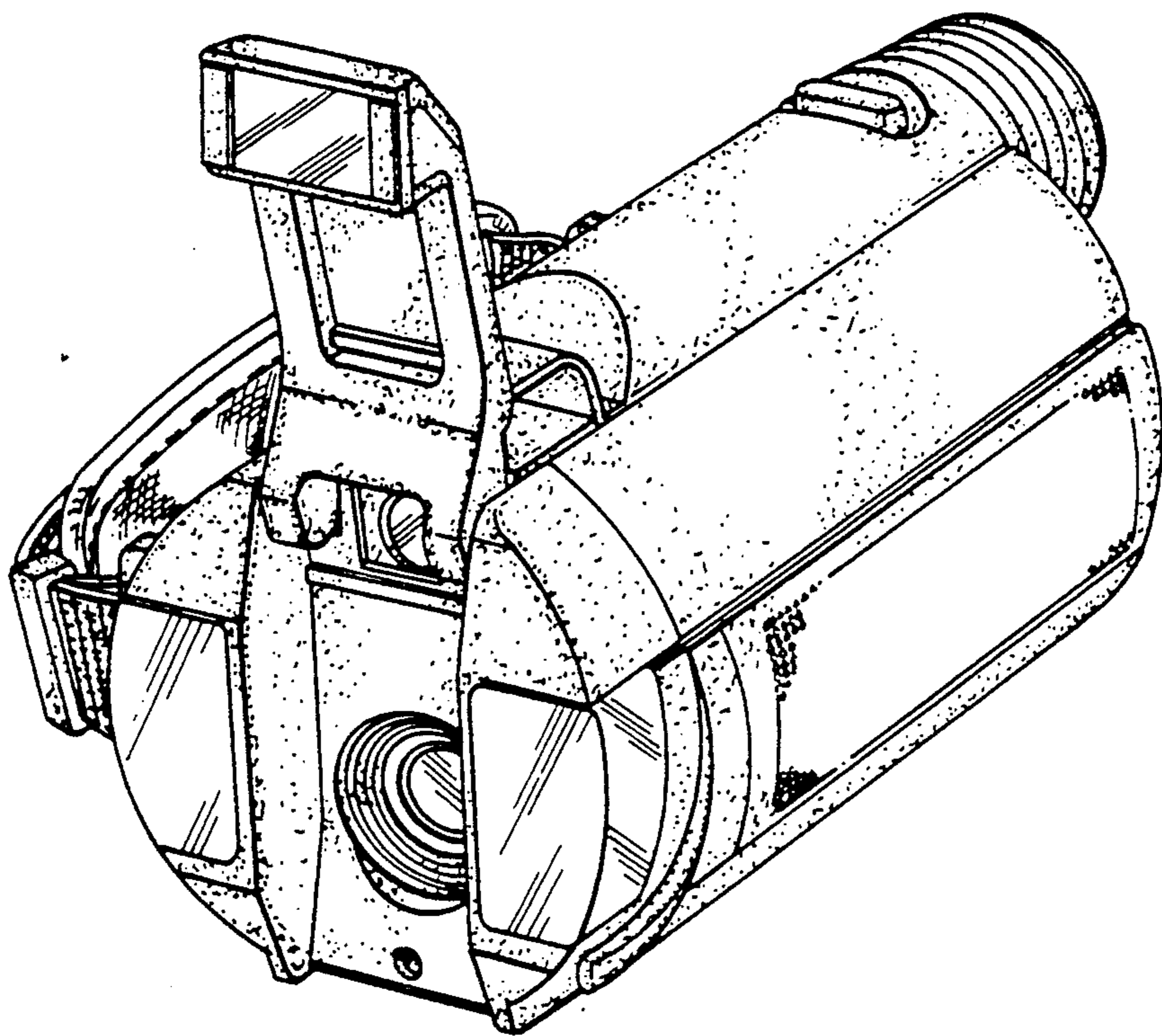


FIG. 3