

[54] **INSPECTION FIXTURE FOR USE IN INSPECTING THE MOUNTING OF CONTACT LENS WITHIN A TINTING FIXTURE PRIOR TO TINTING**

[75] **Inventor: Francis E. Ryder, Arab, Ala.**

[73] **Assignee: Allergan, Inc., Irvine, Calif.**

[\*\*] **Term: 14 Years**

[21] **Appl. No.: 886,524**

[22] **Filed: Jul. 16, 1986**

[52] **U.S. Cl. .... D16/130**

[58] **Field of Search ..... D16/130; 350/245; 356/124, 399**

[56] **References Cited**

**U.S. PATENT DOCUMENTS**

3,171,883 3/1965 Jones ..... 350/245 X  
4,496,242 1/1985 Clough et al. .... 356/124 X

*Primary Examiner*—Wallace R. Burke

*Assistant Examiner*—Stella M. Reid

[57] **CLAIM**

The ornamental design for an inspection fixture for use in inspecting the mounting of contact lens within a tinting fixture prior to tinting, as shown and described.

**DESCRIPTION**

FIG. 1 is a perspective view of an inspection fixture for use in inspecting the mounting of contact lens within a tinting fixture prior to tinting, showing my new design; FIG. 2 is a top plan view thereof; FIG. 3 is a right side elevational view thereof; FIG. 4 is a front elevational view thereof; and FIG. 5 is a left side elevational view thereof; and FIG. 6 is a rear elevational view thereof.

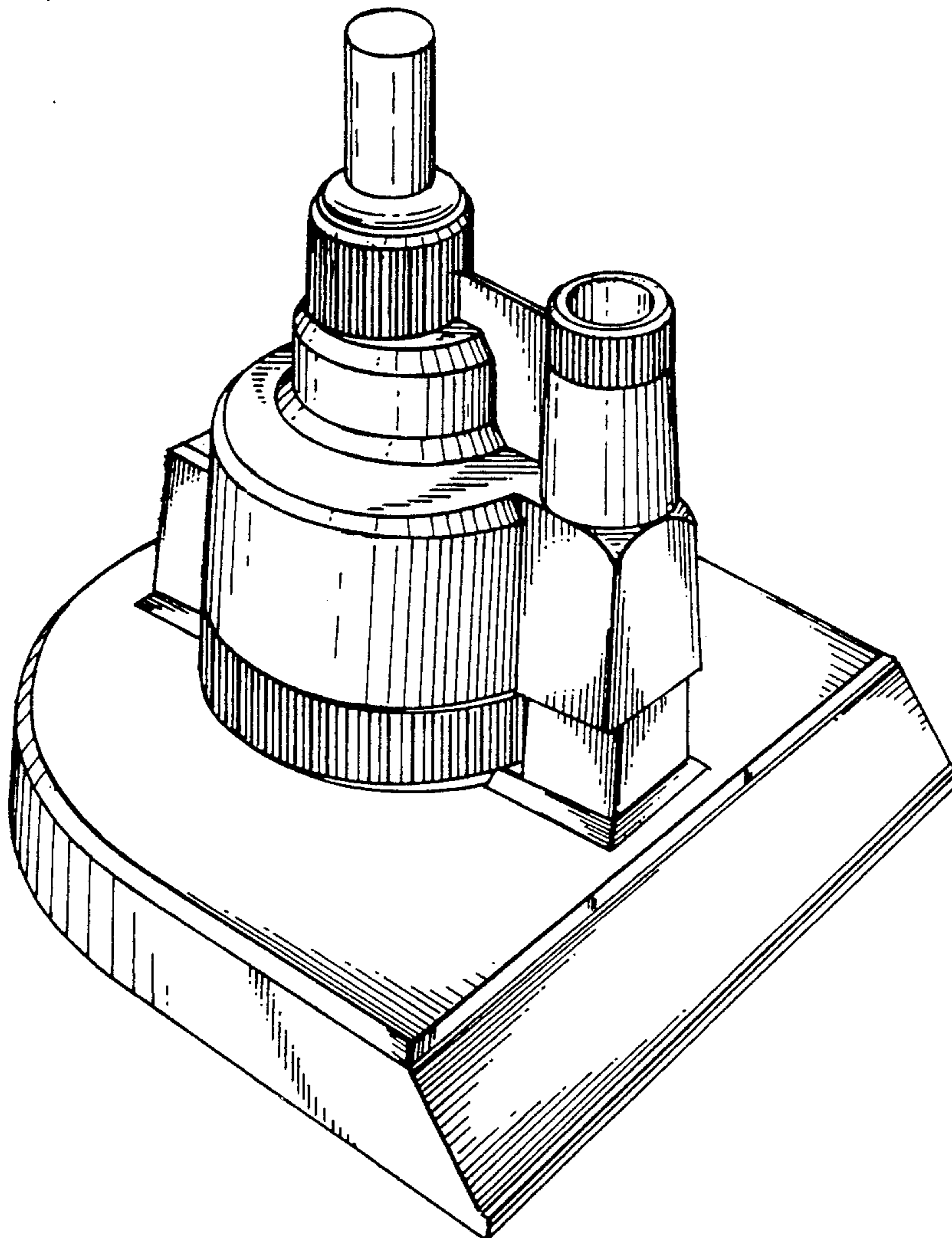


FIG. 1

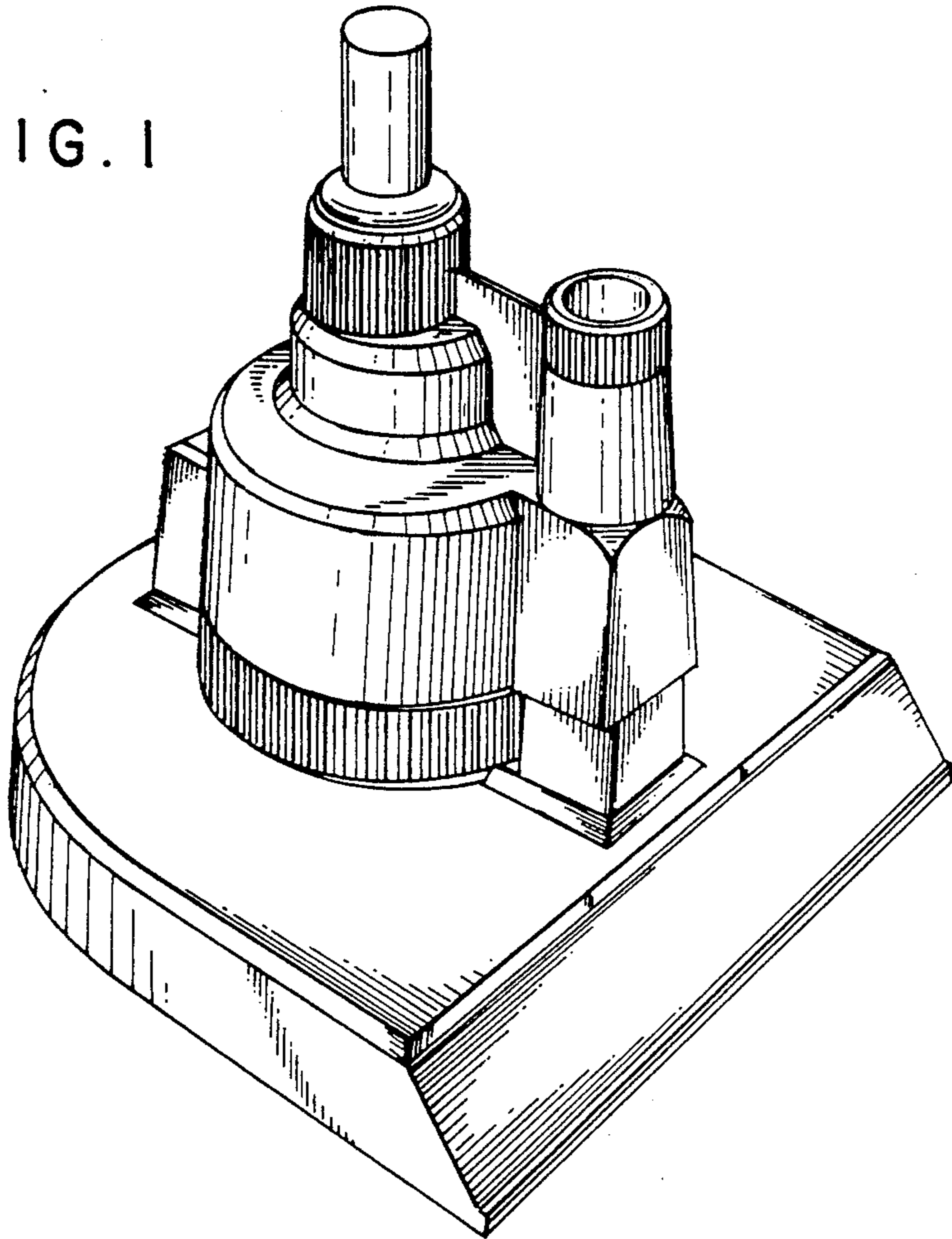


FIG. 2

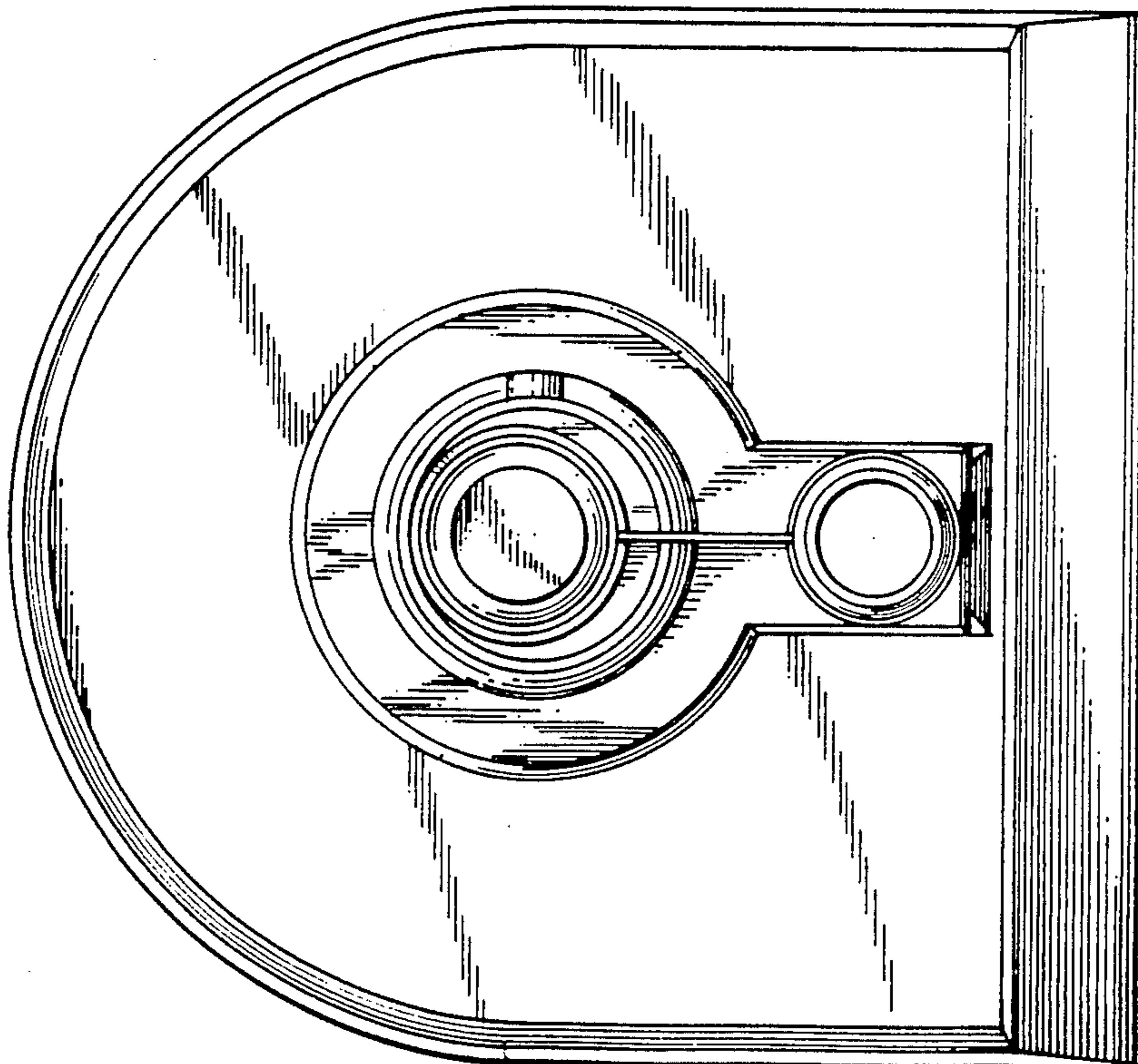


FIG. 3

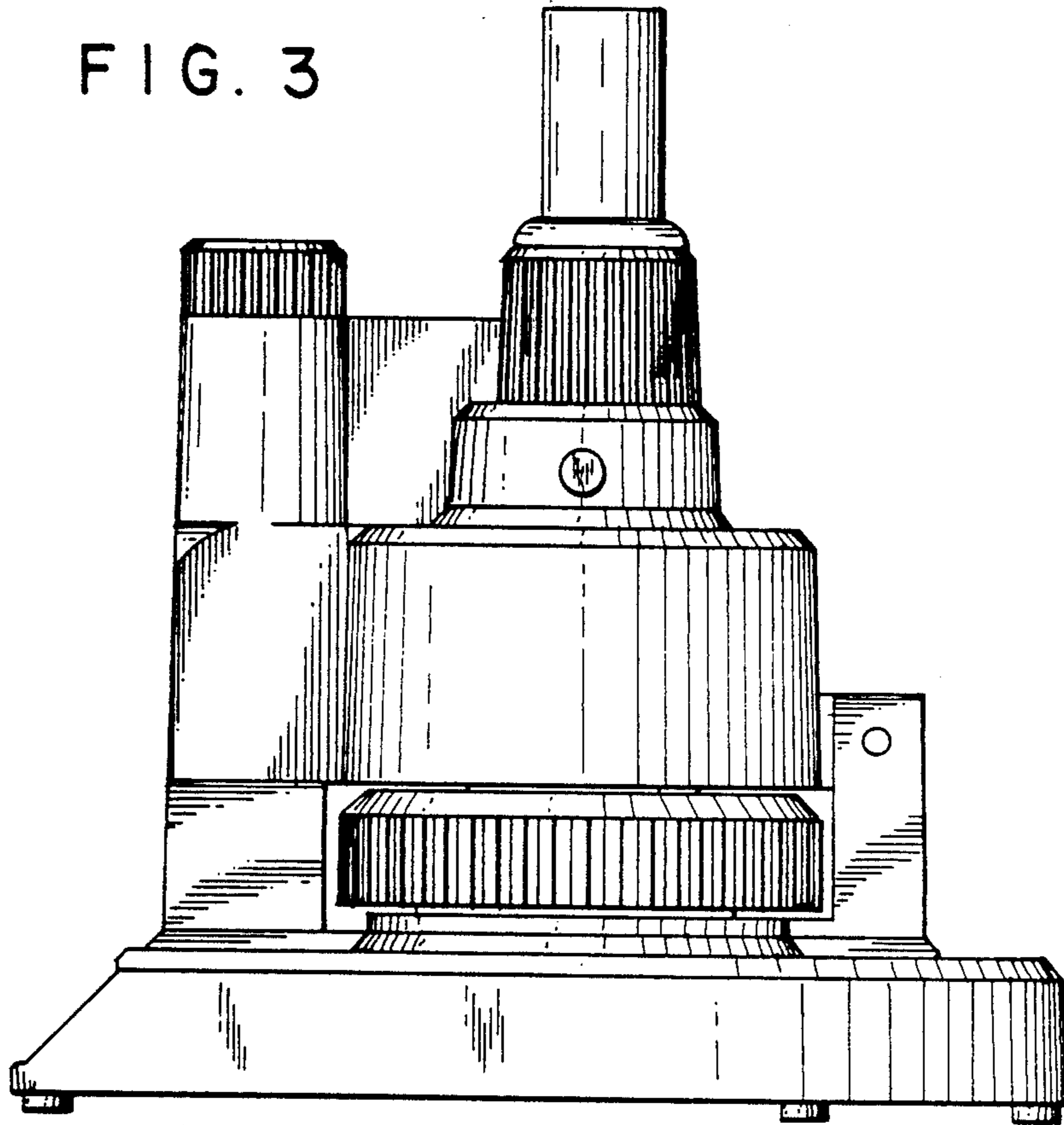


FIG. 4

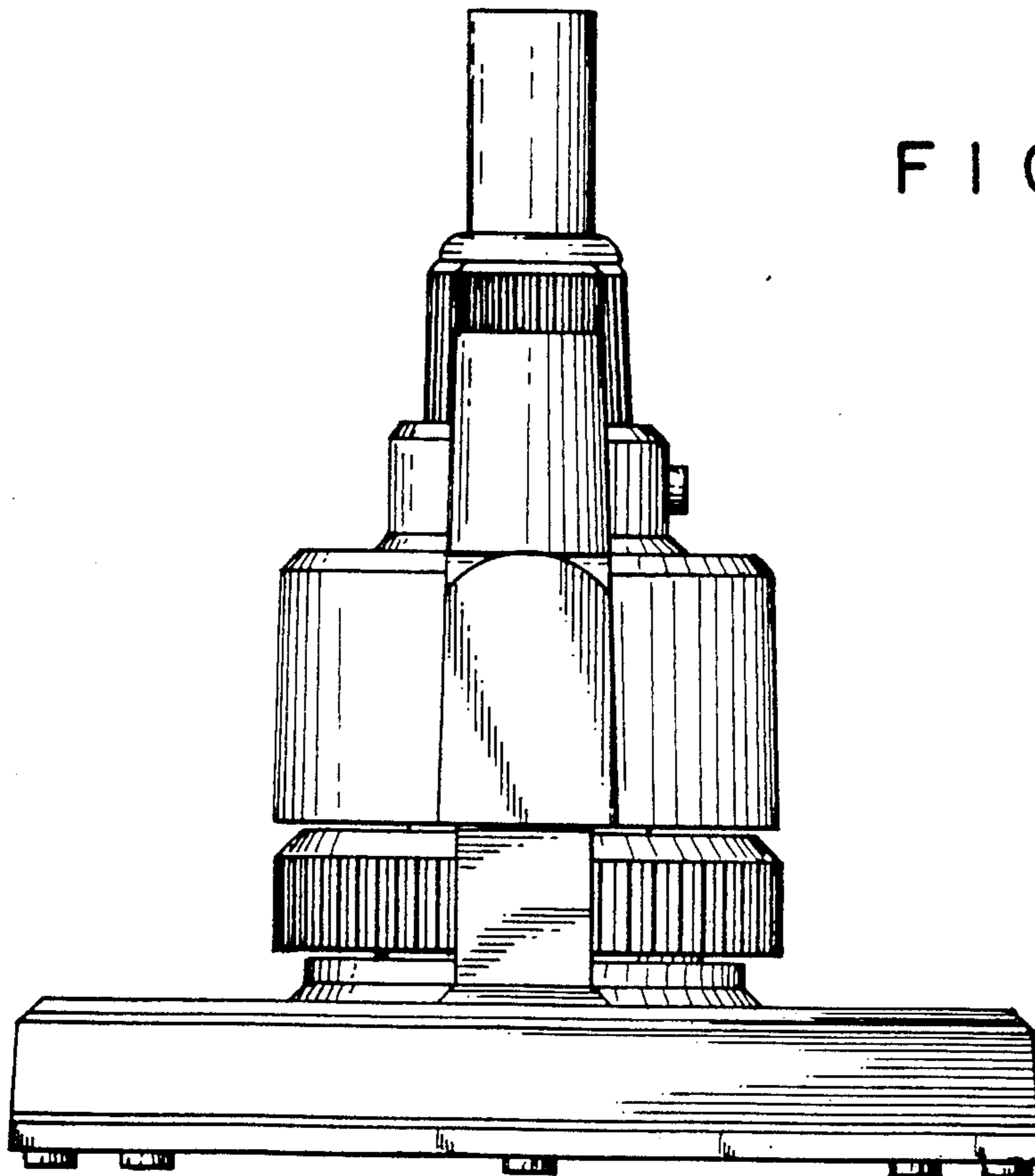


FIG. 5

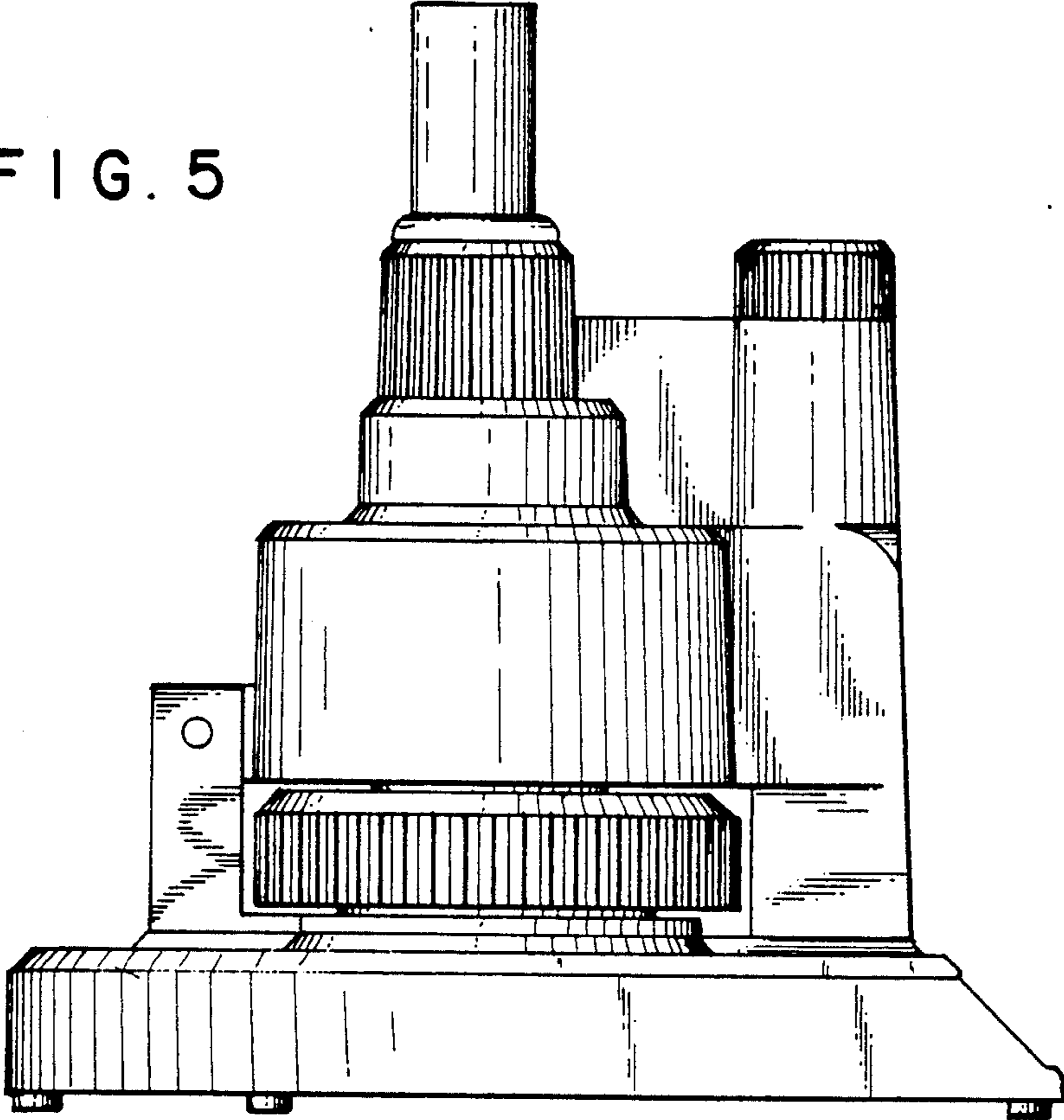


FIG. 6

