

[54] CARBURETOR INSPECTION AND REPAIR STAND

[76] Inventor: Todd P. Geib, 530 Allens Creek Rd., Rochester, N.Y. 14618

[**] Term: 14 Years

[21] Appl. No.: 149,194

[22] Filed: Jan. 28, 1988

[52] U.S. Cl. D15/140; D6/466

[58] Field of Search D6/449, 396, 455, 457, D6/466, 467, 468, 469; D15/140; 269/309, 287, 289 R, 288; 248/346, 676, 678

[56] References Cited

U.S. PATENT DOCUMENTS

- D. 110,693 8/1938 Gough D7/403
- D. 124,619 1/1941 Wade D6/338
- D. 208,819 10/1967 Stone D15/140
- D. 225,169 11/1972 McGowan D7/403 X

- D. 291,426 8/1987 Husbands D30/104 X
- 1,779,867 10/1930 Ahrold D7/403 X
- 1,881,428 10/1932 Finch 248/346
- 3,301,152 1/1967 Nyberg 248/346

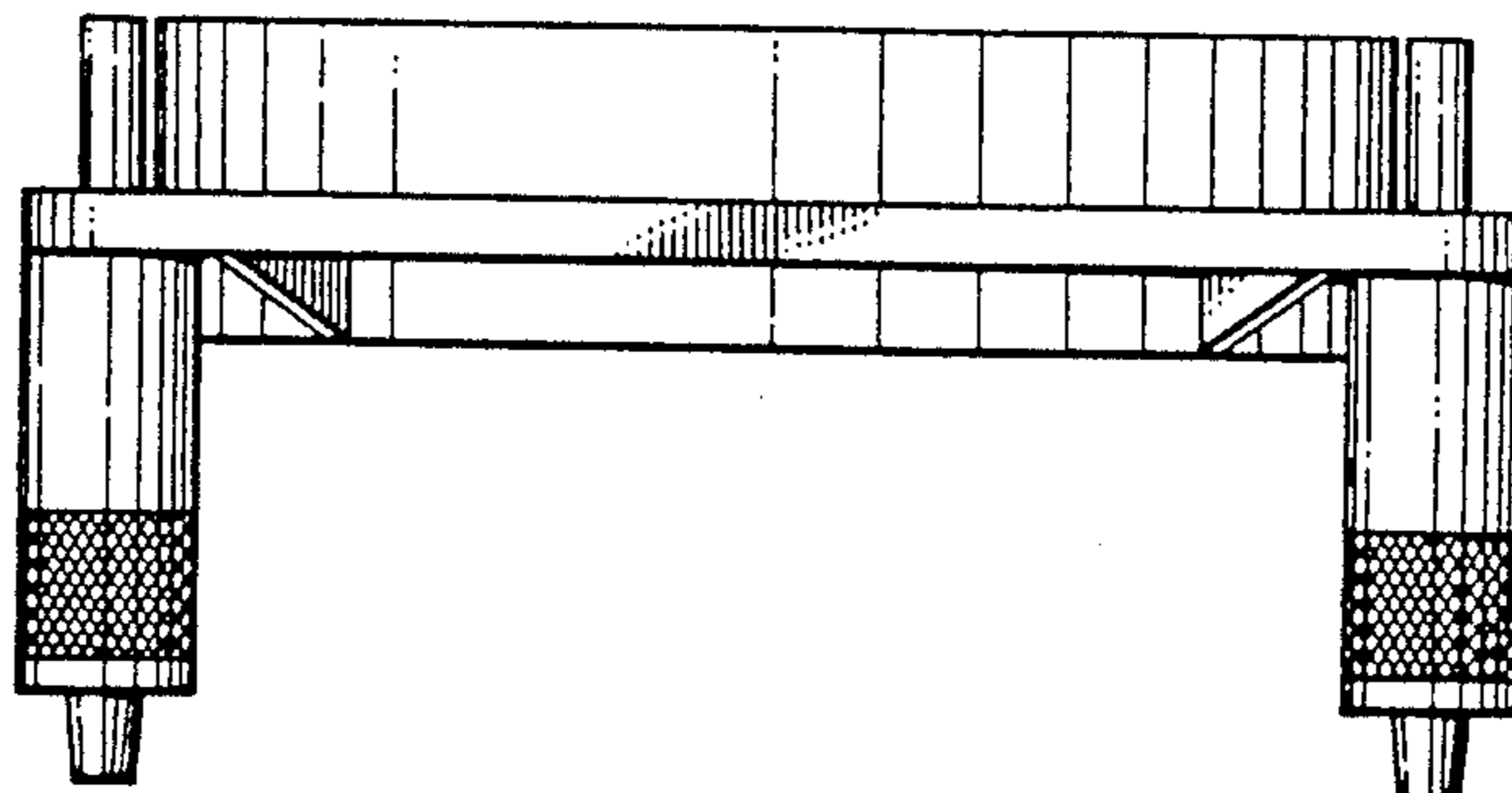
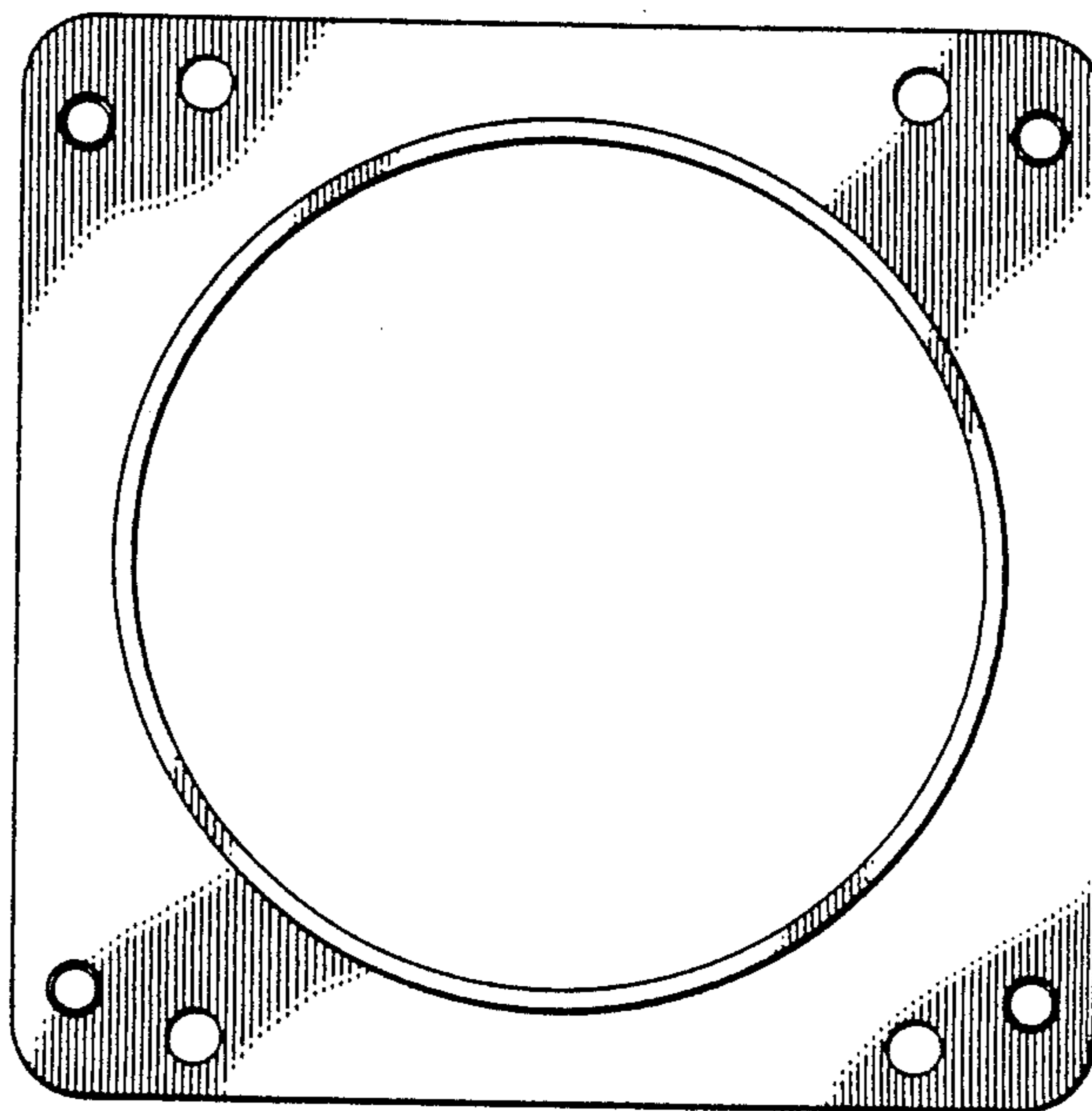
Primary Examiner—Bruce W. Dunkins
Assistant Examiner—Jeffrey Asch
Attorney, Agent, or Firm—Eugene Stephens & Associates

[57] CLAIM

The ornamental design for a carburetor inspection and repair stand, as shown and described.

DESCRIPTION

FIG. 1 is a top plan view of a carburetor inspection and repair stand, showing my new design;
FIG. 2 is a front elevational view, the rear being a mirror image thereof;
FIG. 3 is a right side elevational view, the left side being a mirror image thereof; and
FIG. 4 is a bottom plan view thereof.



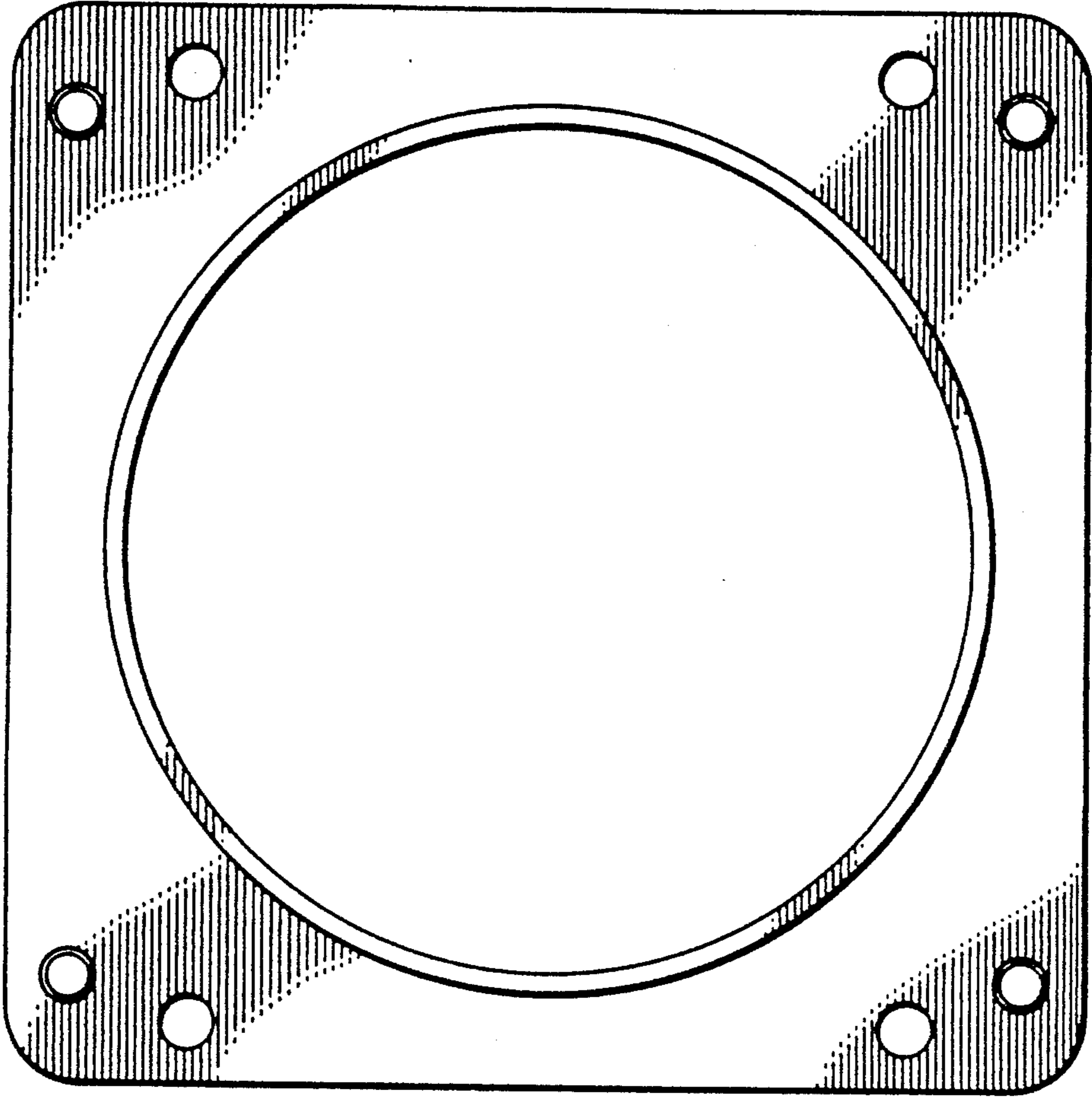


FIG. 1

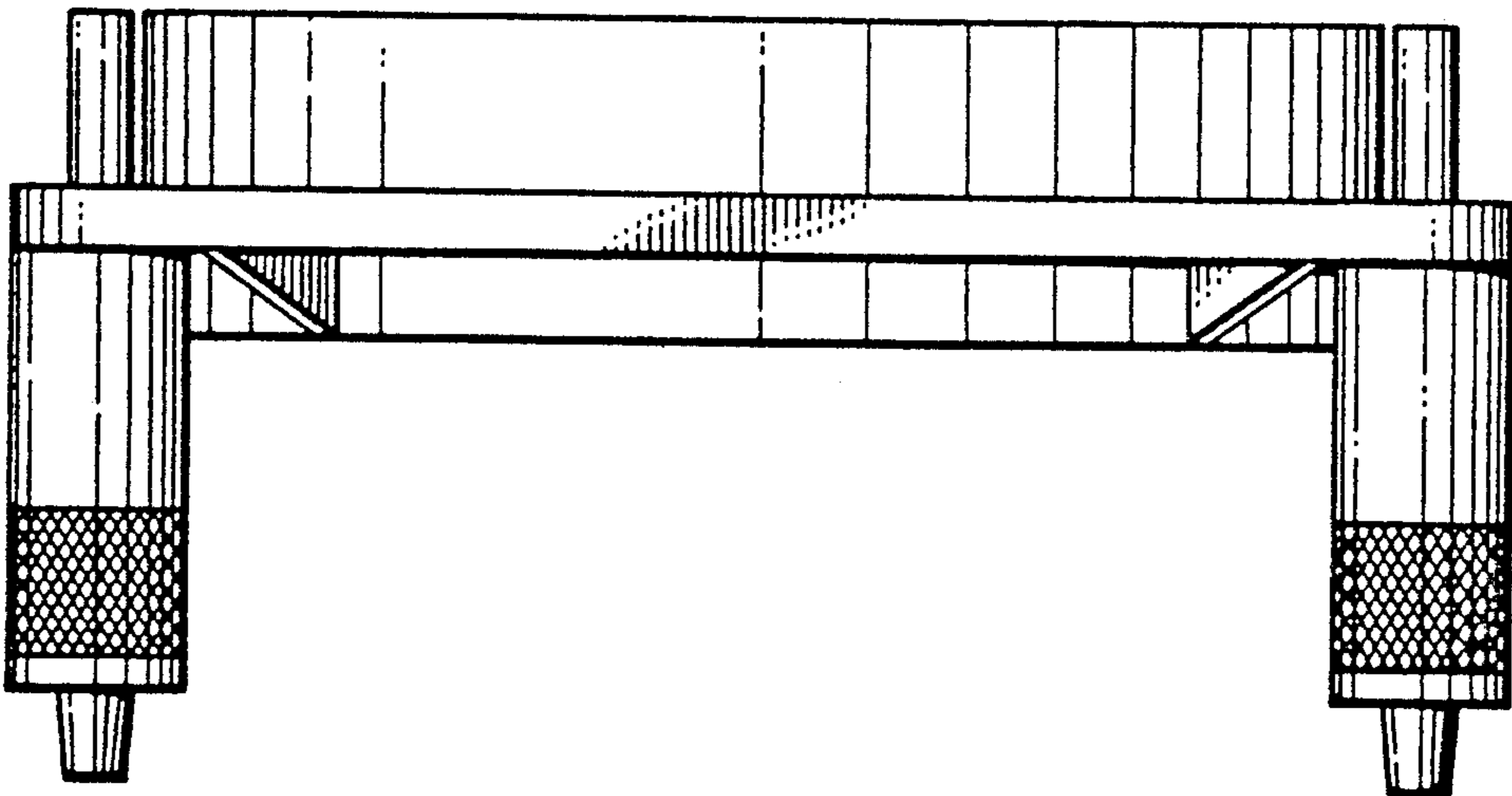


FIG. 2

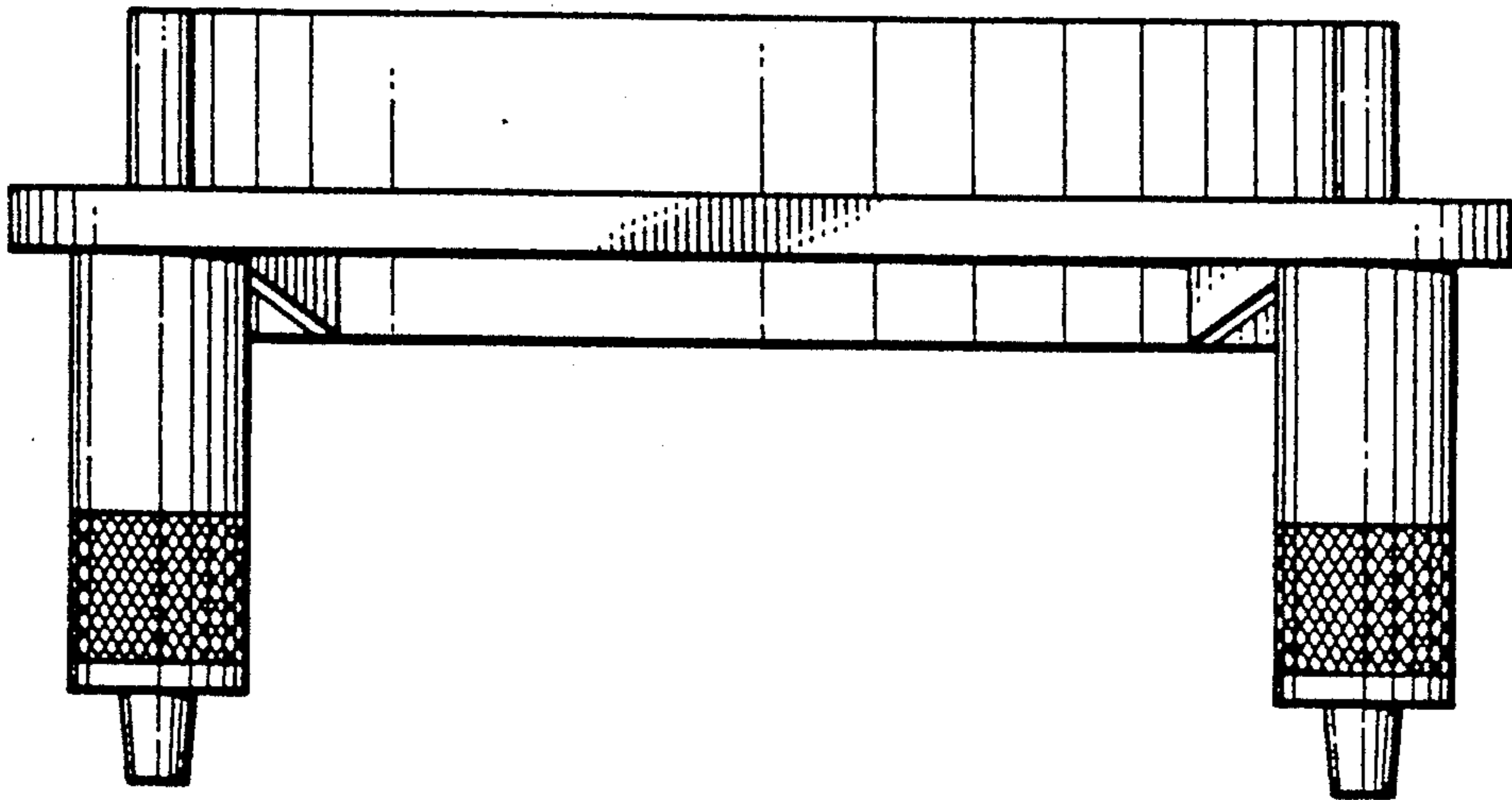


FIG. 3

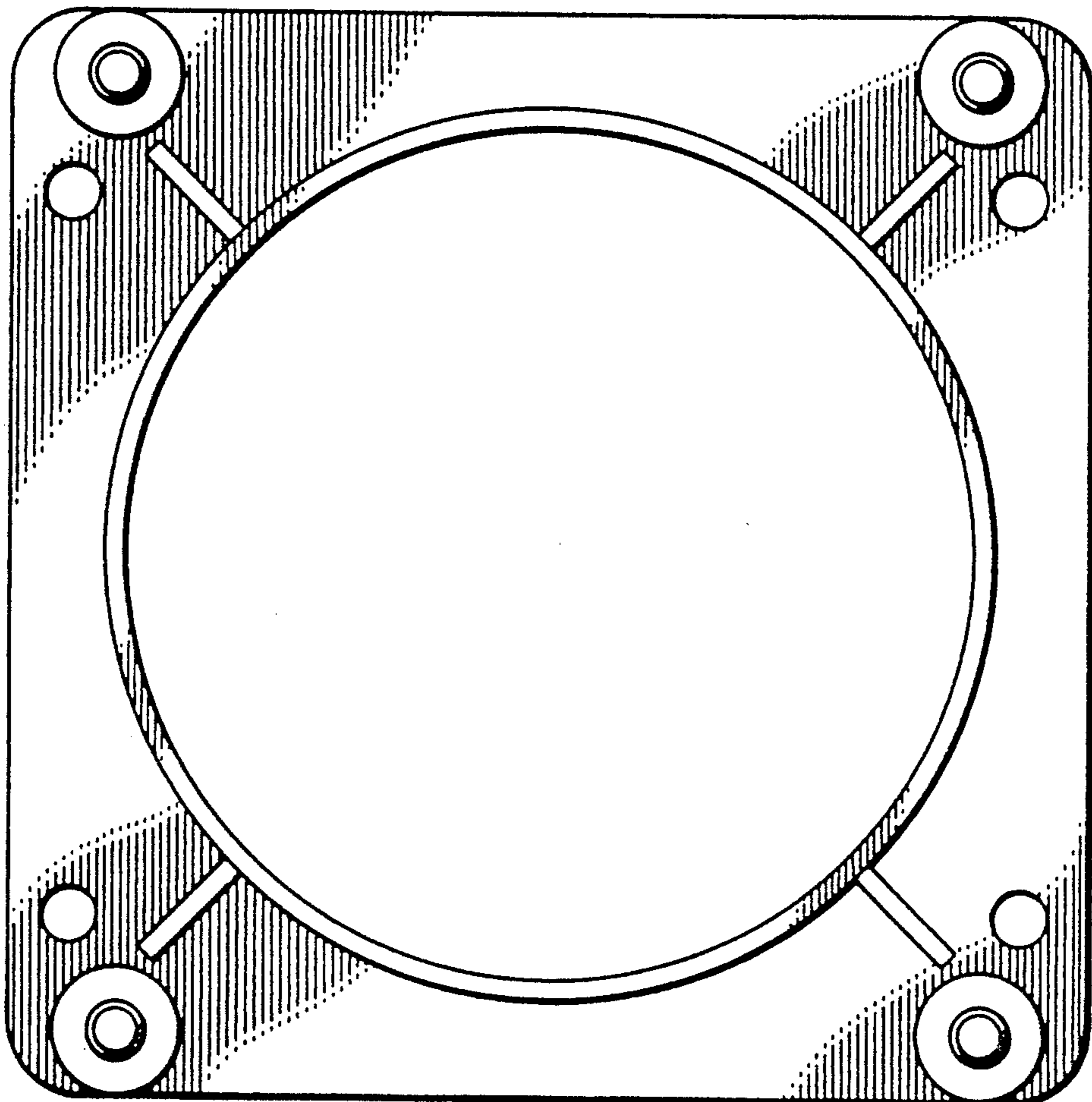


FIG. 4