

[54] **ADAPTOR FOR A PORTABLE RADIO TELEPHONE**

[75] **Inventor: Katsuhito Watanabe, Tokyo, Japan**

[73] **Assignee: Oki Electric Industry Co., Ltd., Tokyo, Japan**

[**] **Term: 14 Years**

[21] **Appl. No.: 433,832**

[22] **Filed: Nov. 13, 1989**

[30] **Foreign Application Priority Data**

Feb. 28, 1989 [JP] Japan 1-6939

[52] **U.S. Cl. D14/253; D14/138; D14/142; D14/148**

[58] **Field of Search D14/151, 138, 150, 147, D14/148; 379/58, 433**

[56] **References Cited**

U.S. PATENT DOCUMENTS

- D. 151,806 11/1948 Beitch et al. D14/252
- D. 193,431 8/1962 Newton D14/252
- D. 275,951 10/1984 Taylor D14/151
- D. 301,473 6/1989 Rojc D14/138 X
- D. 301,883 6/1989 Krolopp et al. D14/248
- D. 304,830 11/1989 Sutoh D14/138
- D. 305,120 12/1989 Gariano D14/150 X
- D. 305,652 1/1990 Tejima D14/138
- D. 309,451 7/1990 Nagelo D14/138 X
- 4,700,383 10/1987 Takagi et al. 379/433 X
- 4,868,862 9/1989 Ryoichi et al. 379/58

FOREIGN PATENT DOCUMENTS

3407734 9/1985 Fed. Rep. of Germany D14/138

OTHER PUBLICATIONS

Hechinger Flyer, AT&T Bases for AT&T Cordless Telephone Base 4110.

Citicorp Handout Flyer: Panasonic Base for Phone; Cordless Telephone Base; Nos. 709 & 710.

Radio Shack 1989 Catalog; Bases for Cordless Headset Telephones; p. 82; Radio Shack ET-395; p. 83; ET 393.

Primary Examiner—Horace B. Fay, Jr.

Attorney, Agent, or Firm—Wenderoth, Lind & Ponack

[57] **CLAIM**

The ornamental design for an adaptor for a portable radio telephone, as shown and described.

DESCRIPTION

FIG. 1 is a right side, top and rear perspective view of an adaptor for a portable radio telephone showing my new design;

FIGS. 2 and 3 are respectively front and rear elevational views thereof;

FIGS. 4 and 5 are respectively left and right side elevational views thereof;

FIGS. 6 and 7 are respectively top and bottom plan views thereof;

FIG. 8 is a sectional view taken on the line VIII—VIII in FIG. 6 thereof;

FIG. 9 is a right side, top and rear perspective view thereof with a telephone handset shown in broken lines positioned within the adaptor; and

FIG. 10 is an environmental association broken line depicting in a working state in which the adaptor shown in solid lines is operative.

The broken line showing of a telephone handset in FIG. 9 and a working environmental working state in FIG. 10 is for illustrative purposes only and forms no part of the claimed design.

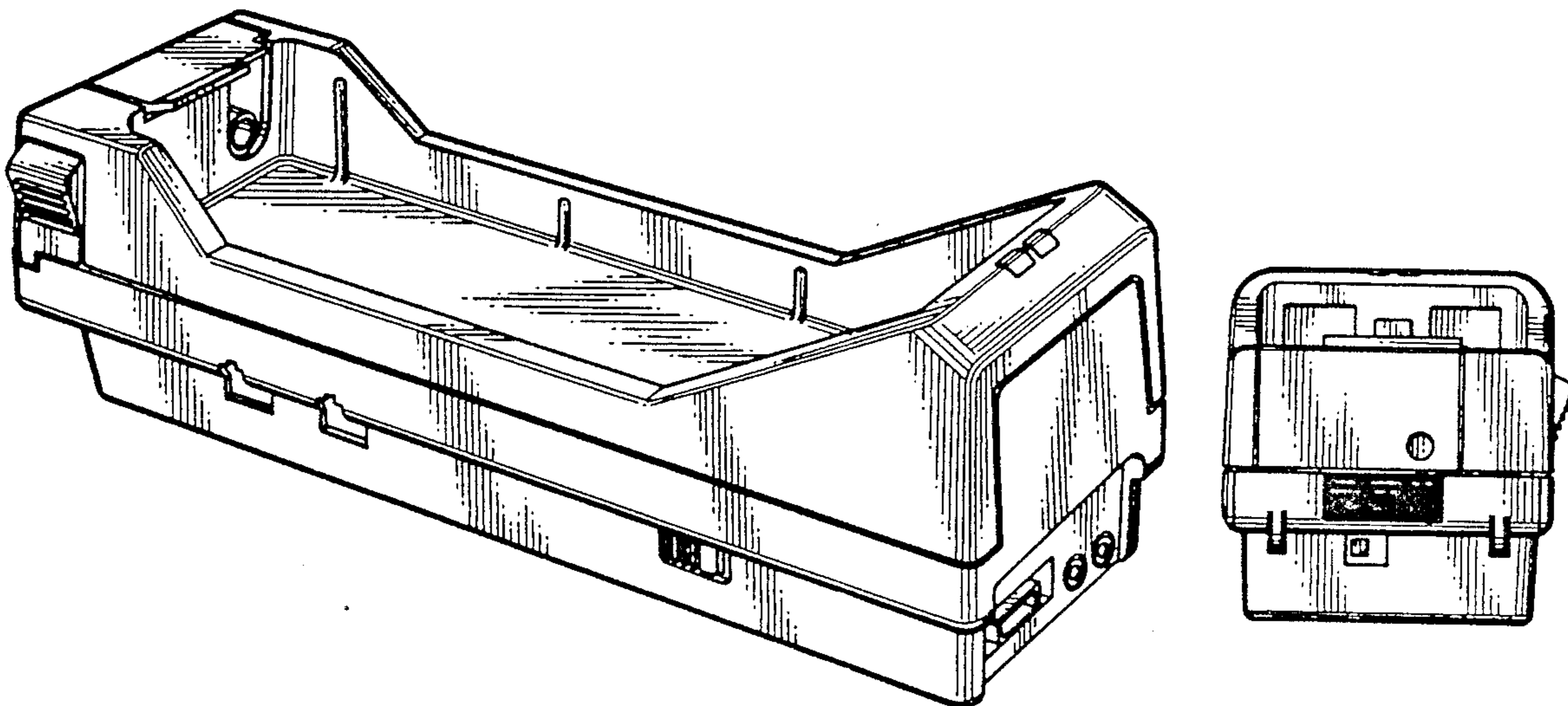


Fig. 1

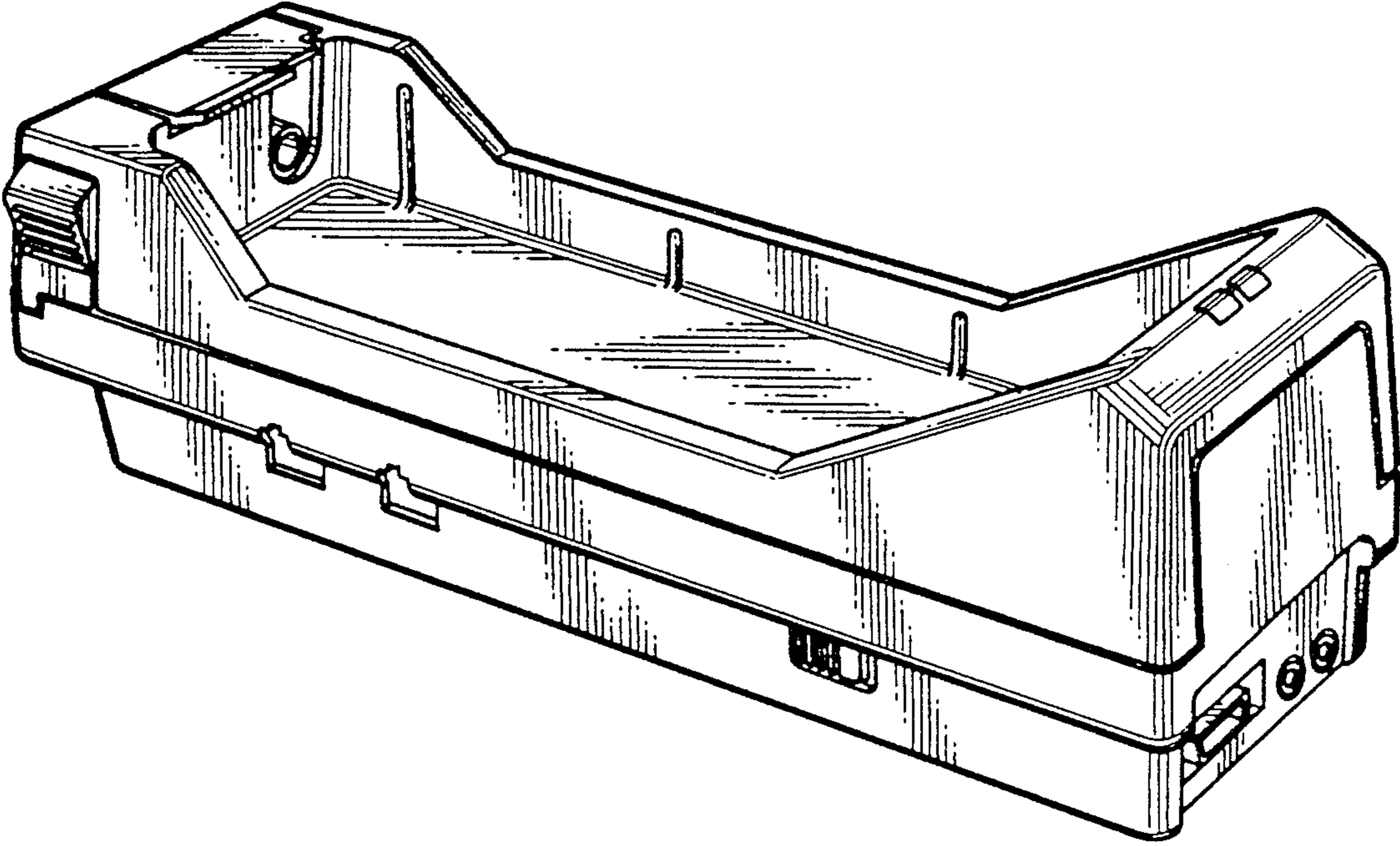


Fig. 2

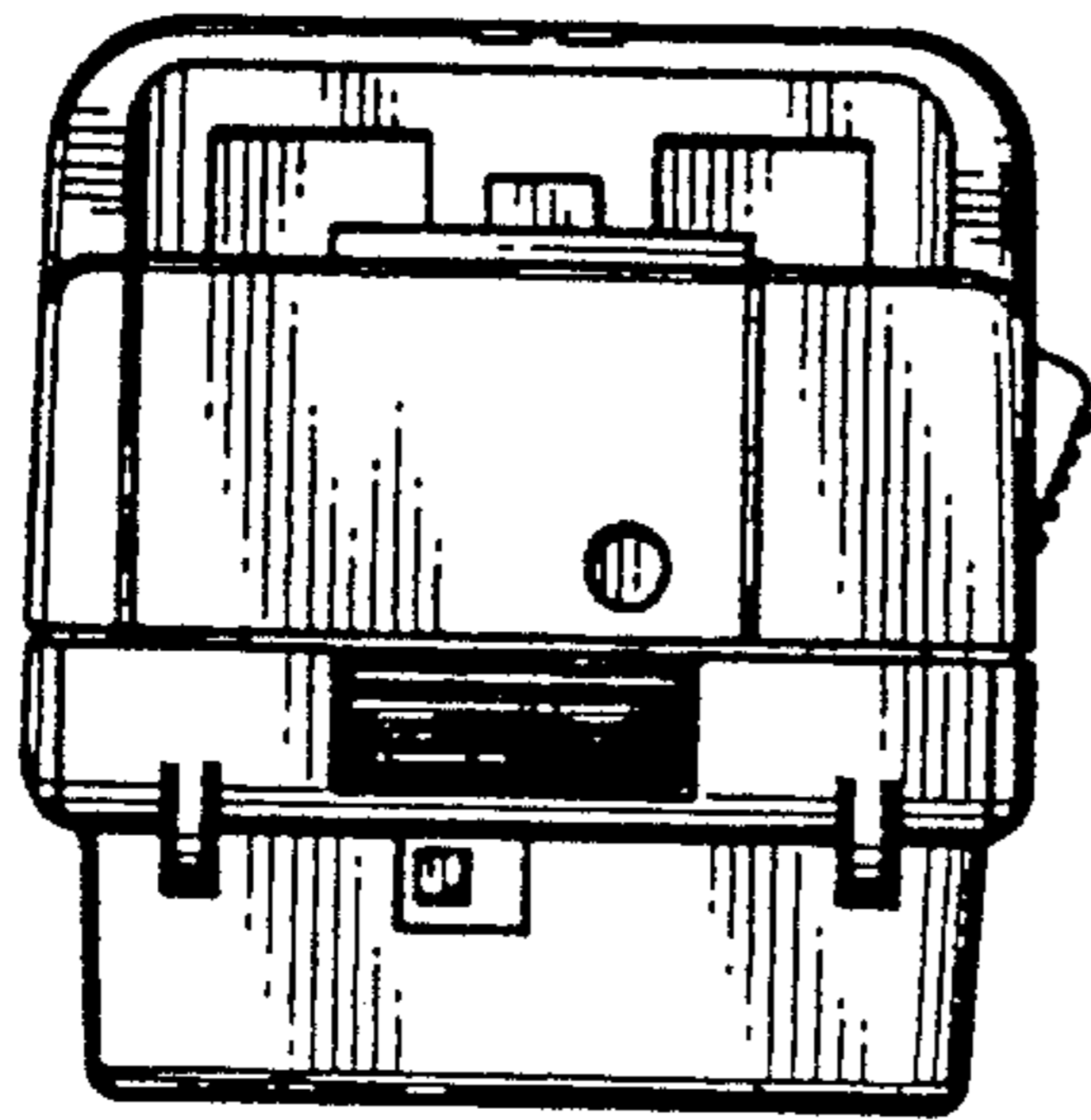


Fig. 3

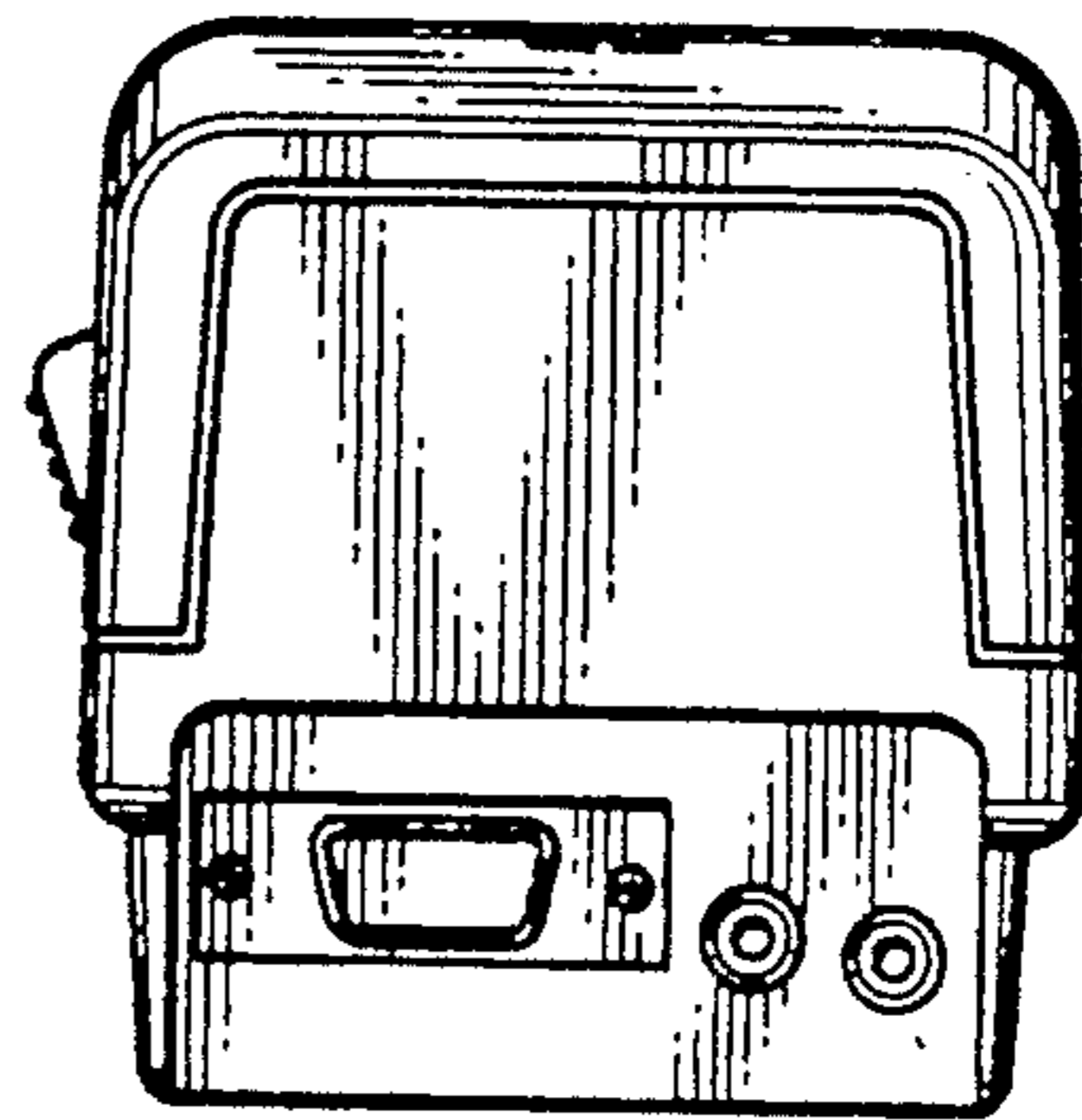


Fig. 4

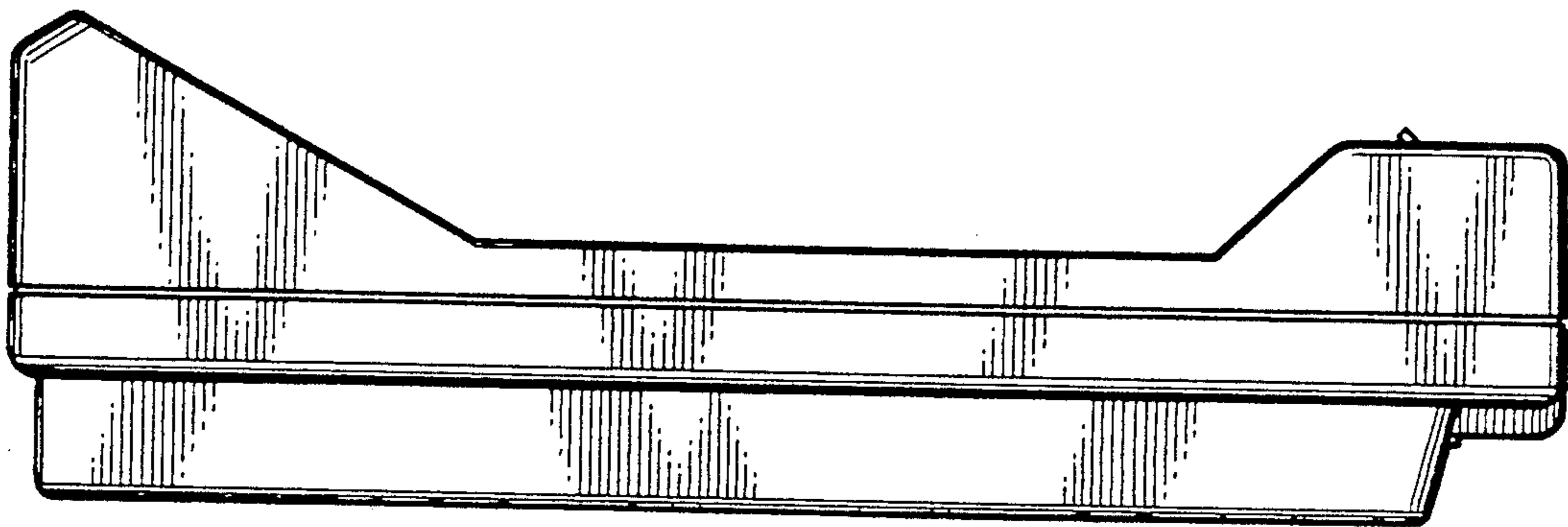


Fig. 5

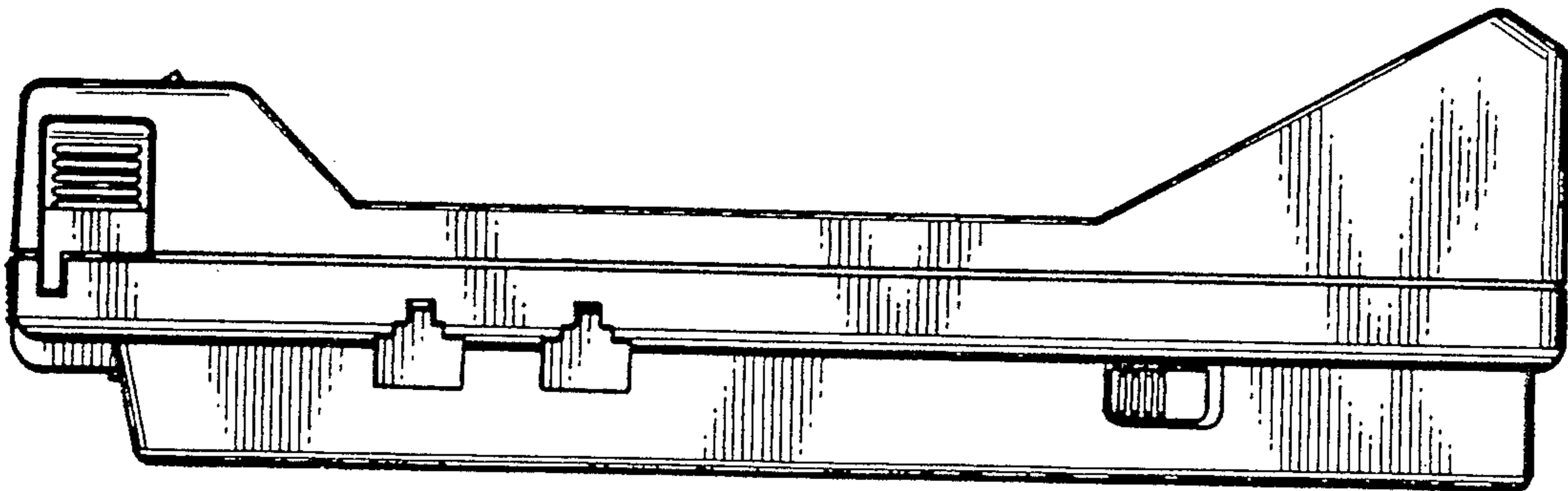


Fig. 6

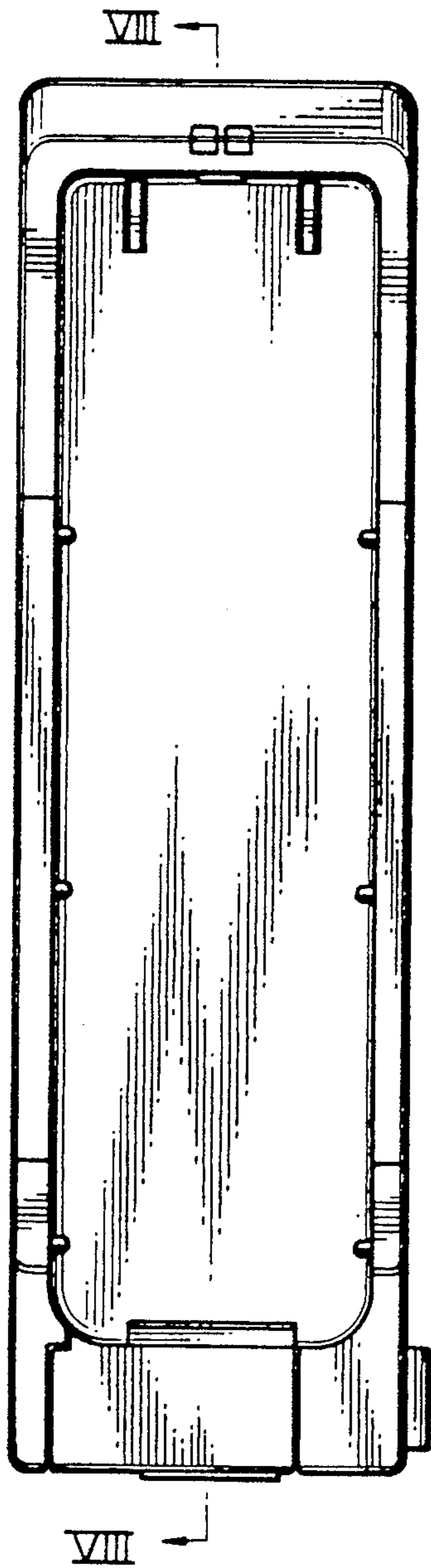


Fig. 7

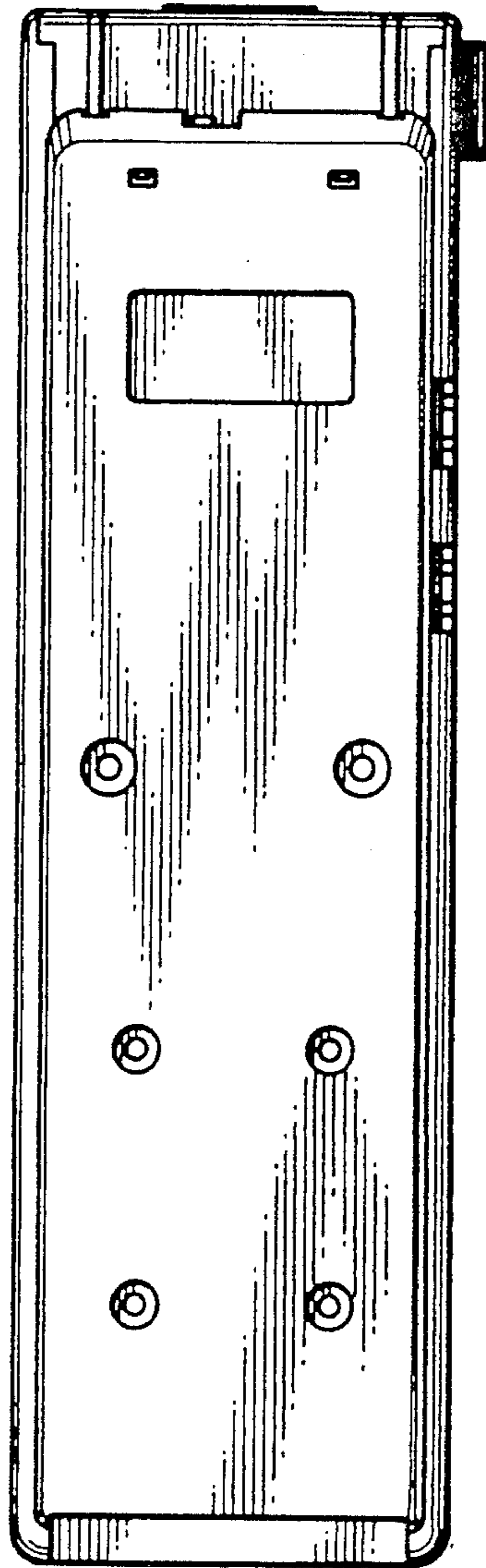


Fig. 8

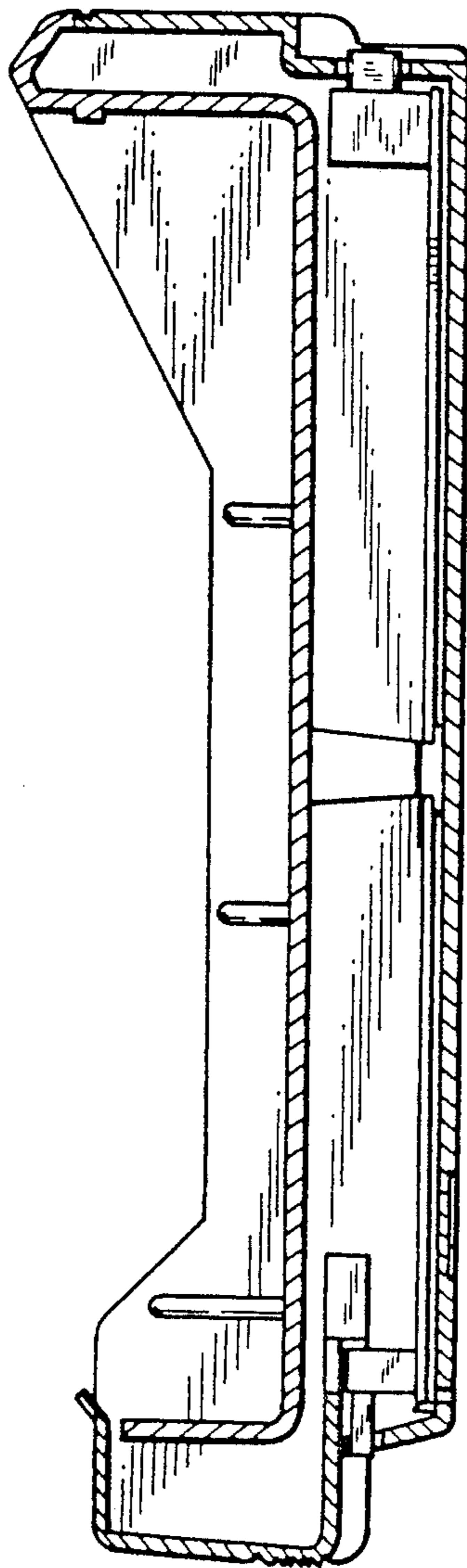


Fig. 9

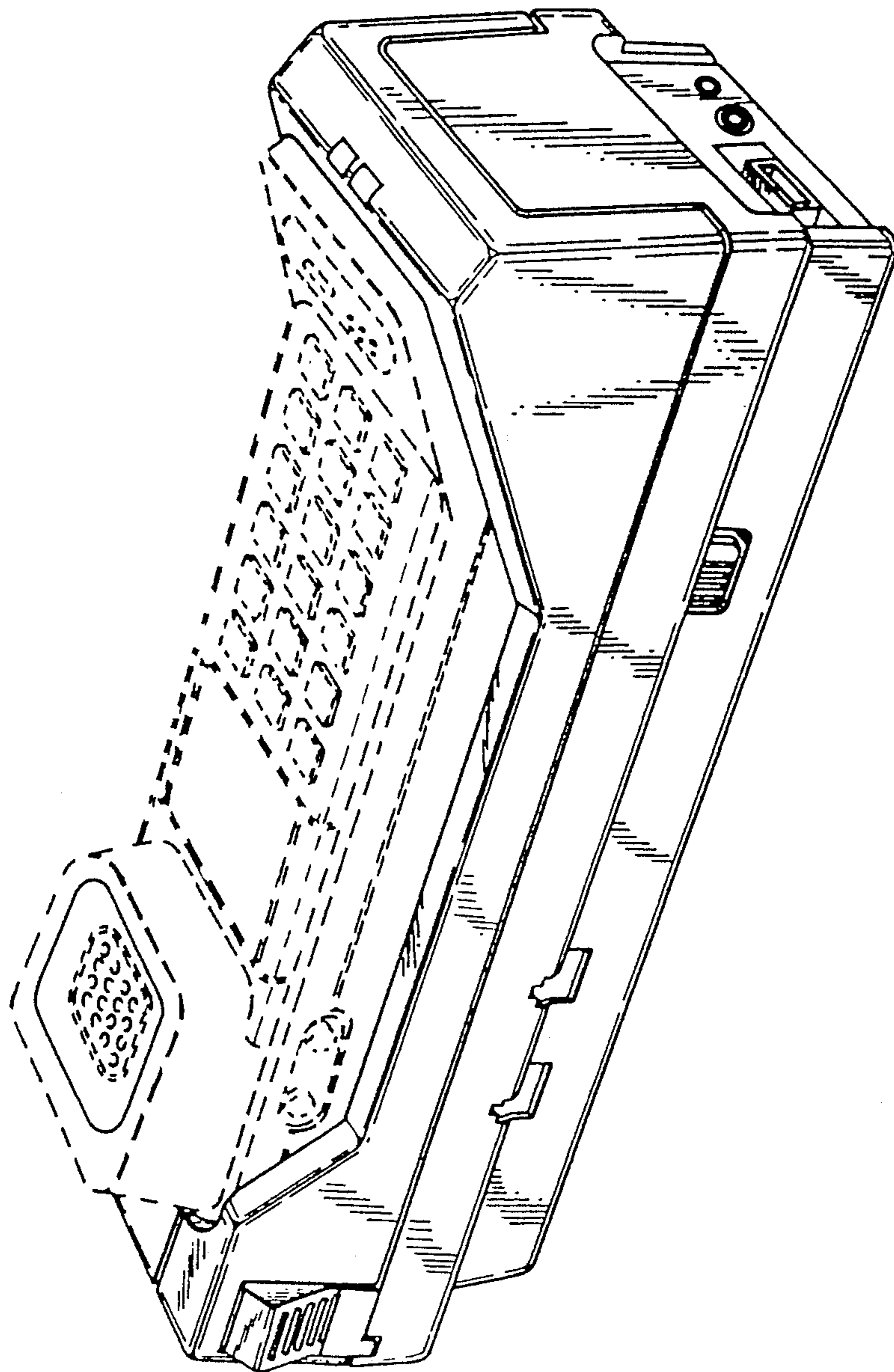


Fig. 10

