

[54] RADIO OR THE LIKE

[75] Inventor: Pierre-Yves Azuelos, Paris, France

[73] Assignee: PYM, Inc., New York, N.Y.

[**] Term: 14 Years

[21] Appl. No.: 158,162

[22] Filed: Feb. 19, 1988

[52] U.S. Cl. D14/198; D14/188

[58] Field of Search D14/168, 170-171,
D14/188-198; 455/344-347, 350-351; 312/7.1

[56] References Cited

U.S. PATENT DOCUMENTS

- D. 86,714 4/1932 Graesser D14/194
- D. 161,903 2/1951 Carlson D14/193
- D. 165,508 12/1951 Dudlong D14/193

- D. 166,294 4/1952 Beck D14/196
- 2,272,937 2/1942 Emde 455/350 X

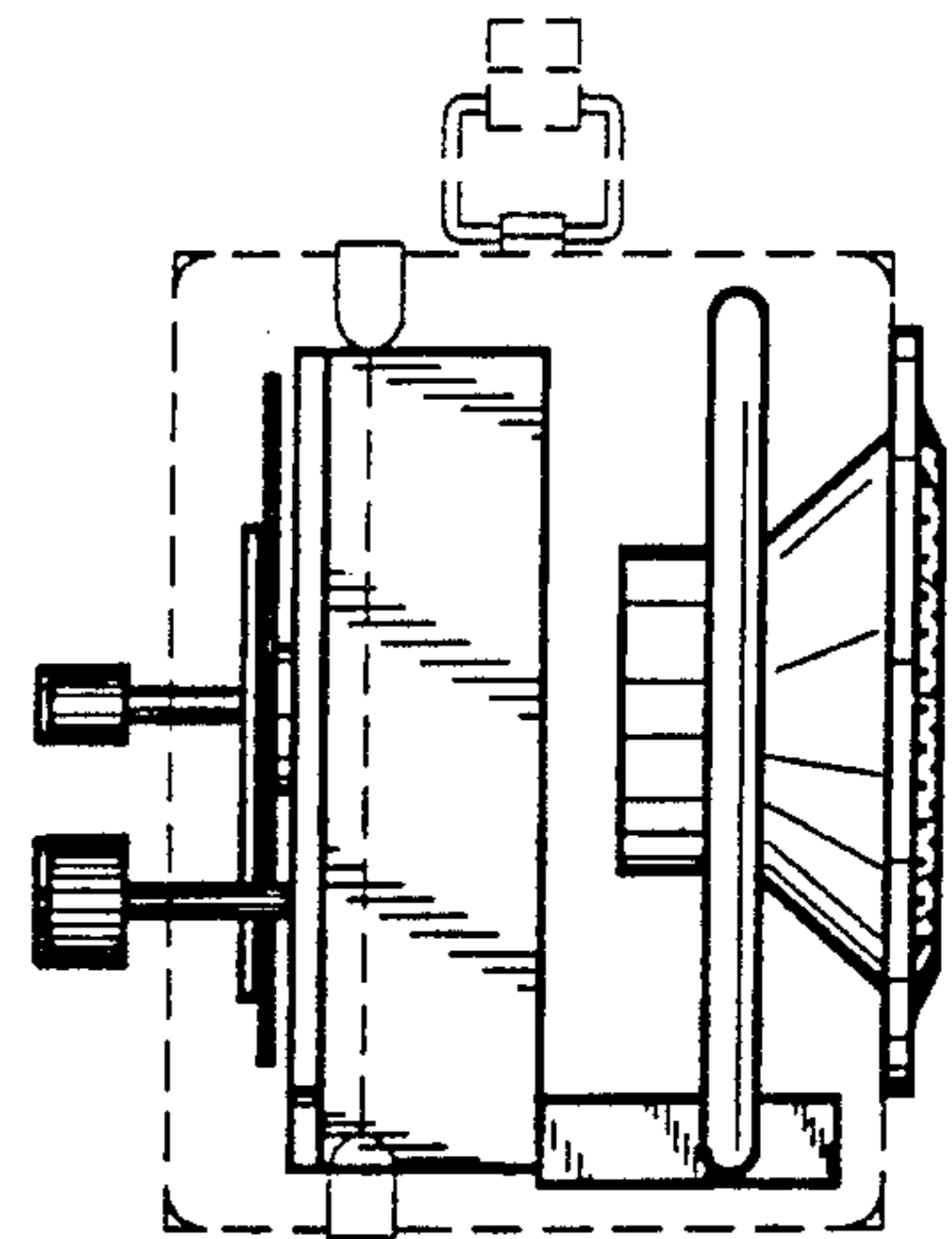
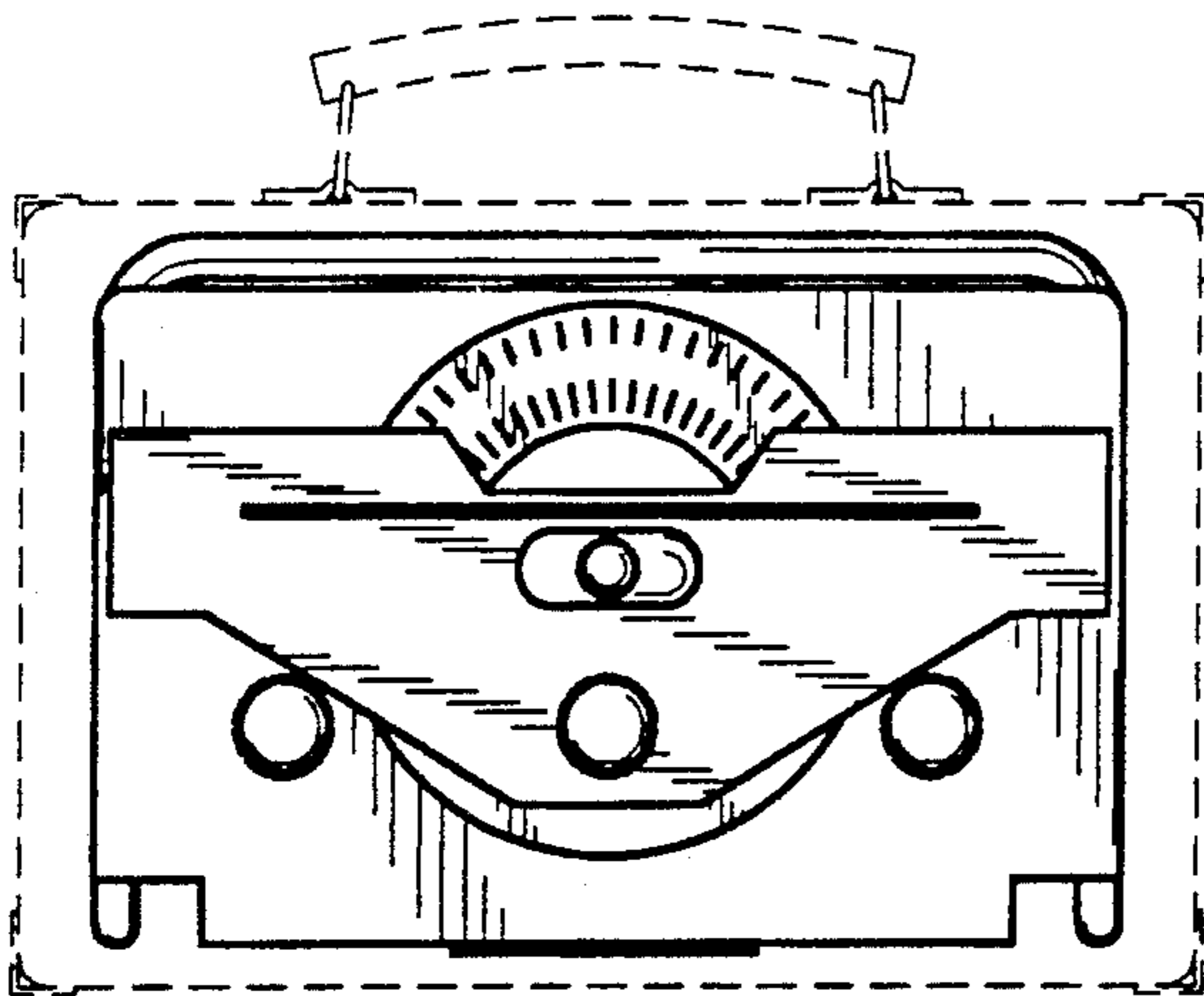
Primary Examiner—Theodore M. Shooman
Attorney, Agent, or Firm—Jones, Day, Reavis & Pogue

[57] CLAIM

The ornamental design for a radio or the like, as shown and described.

DESCRIPTION

FIG. 1 is a front elevational view of a radio or the like showing my new design;
 FIG. 2 is a top plan view thereof;
 FIG. 3 is a rear elevational view thereof;
 FIG. 4 is a right side elevational view thereof, the left side being a mirror image; and
 FIG. 5 is a bottom plan view thereof.
 The broken line showing of the case is for illustrative purposes only and forms no part of the claimed design.



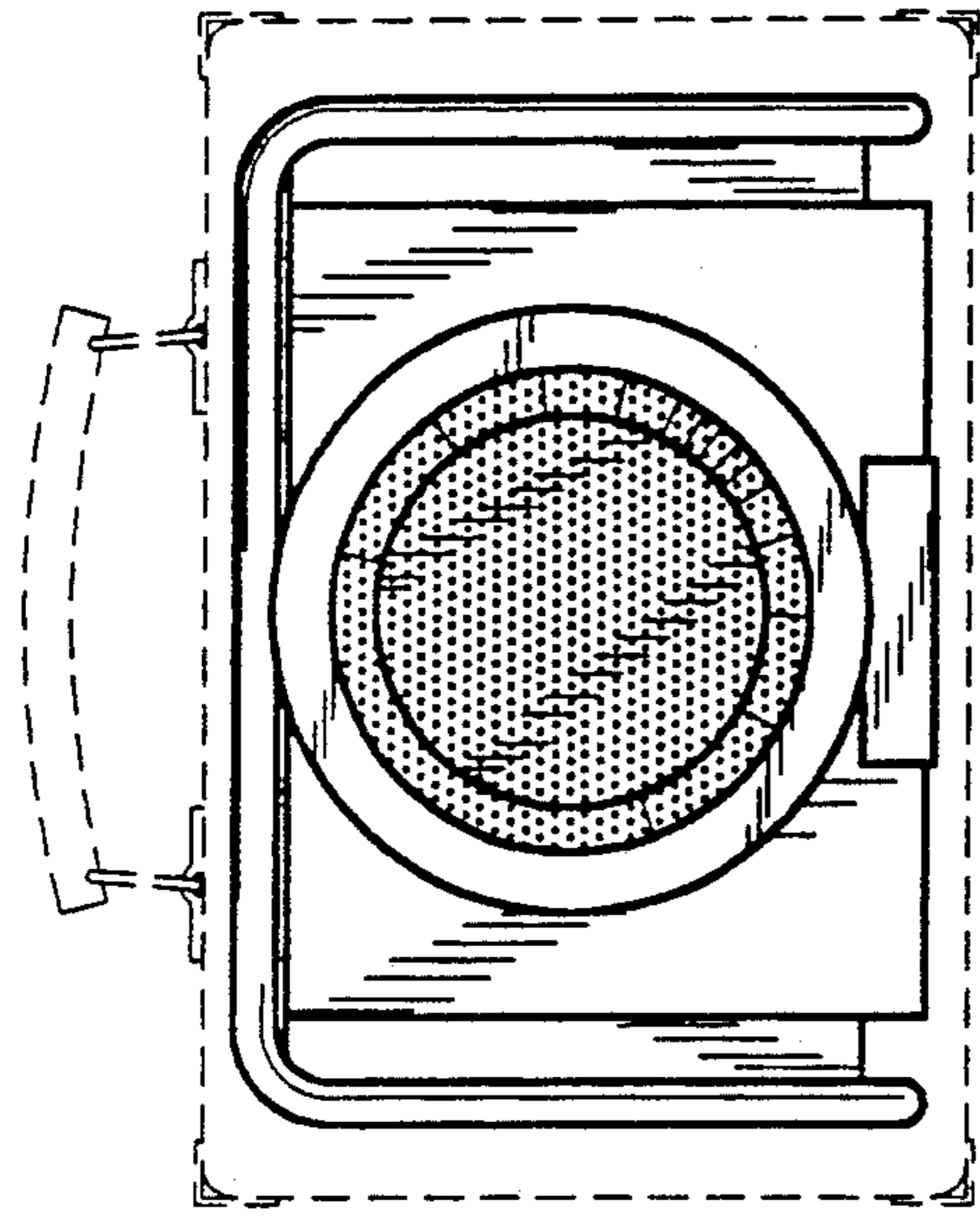


FIG.1

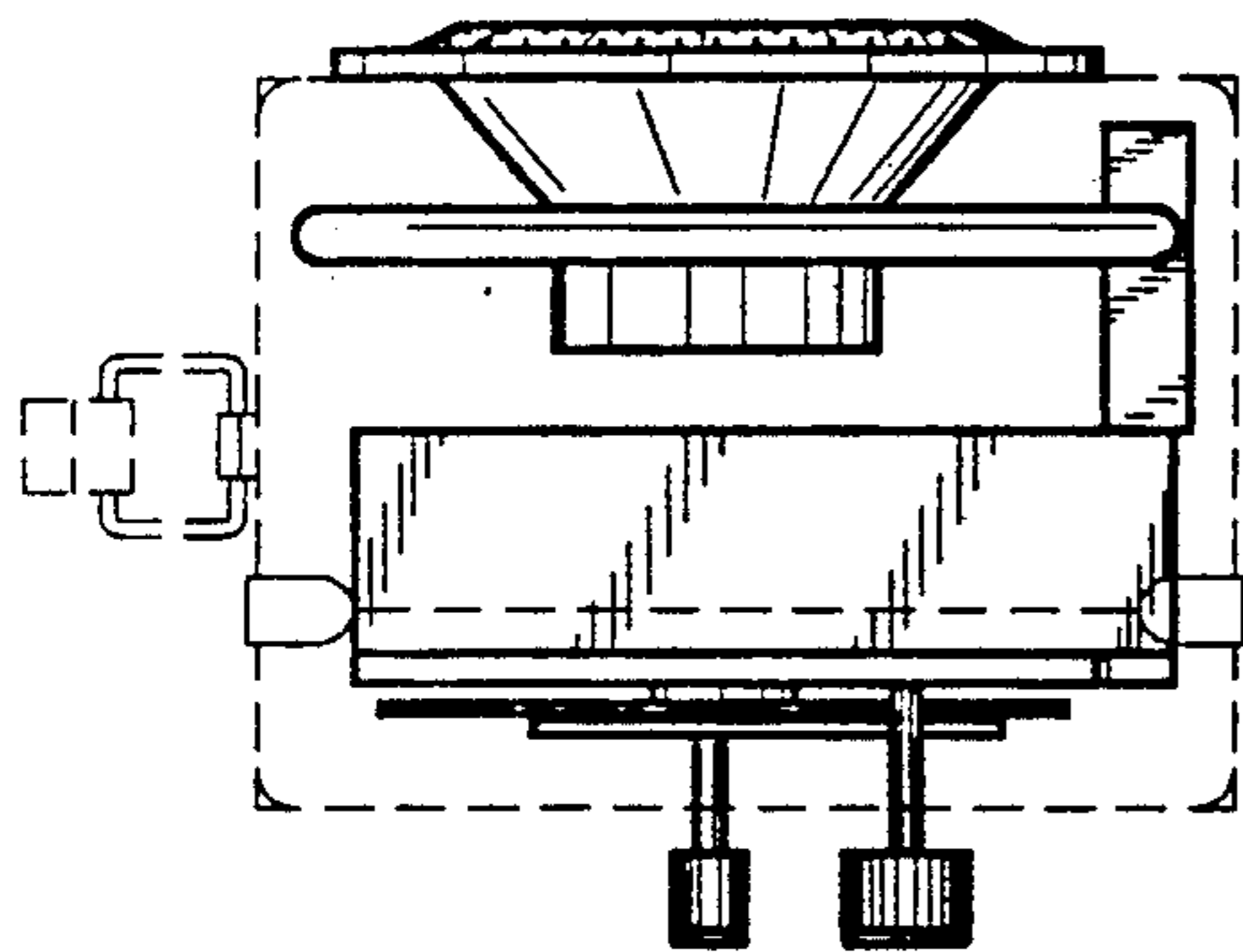


FIG.2

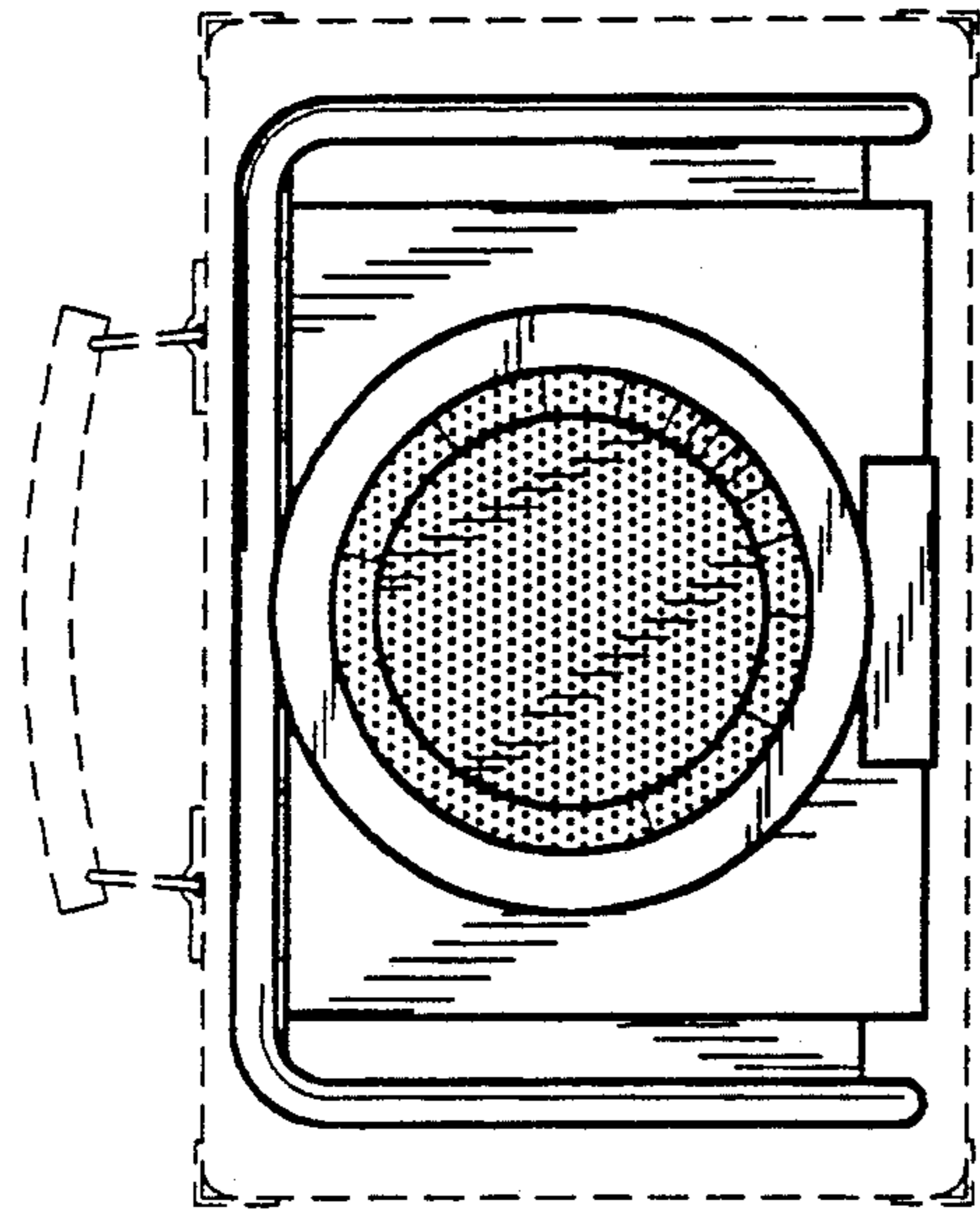


FIG.3

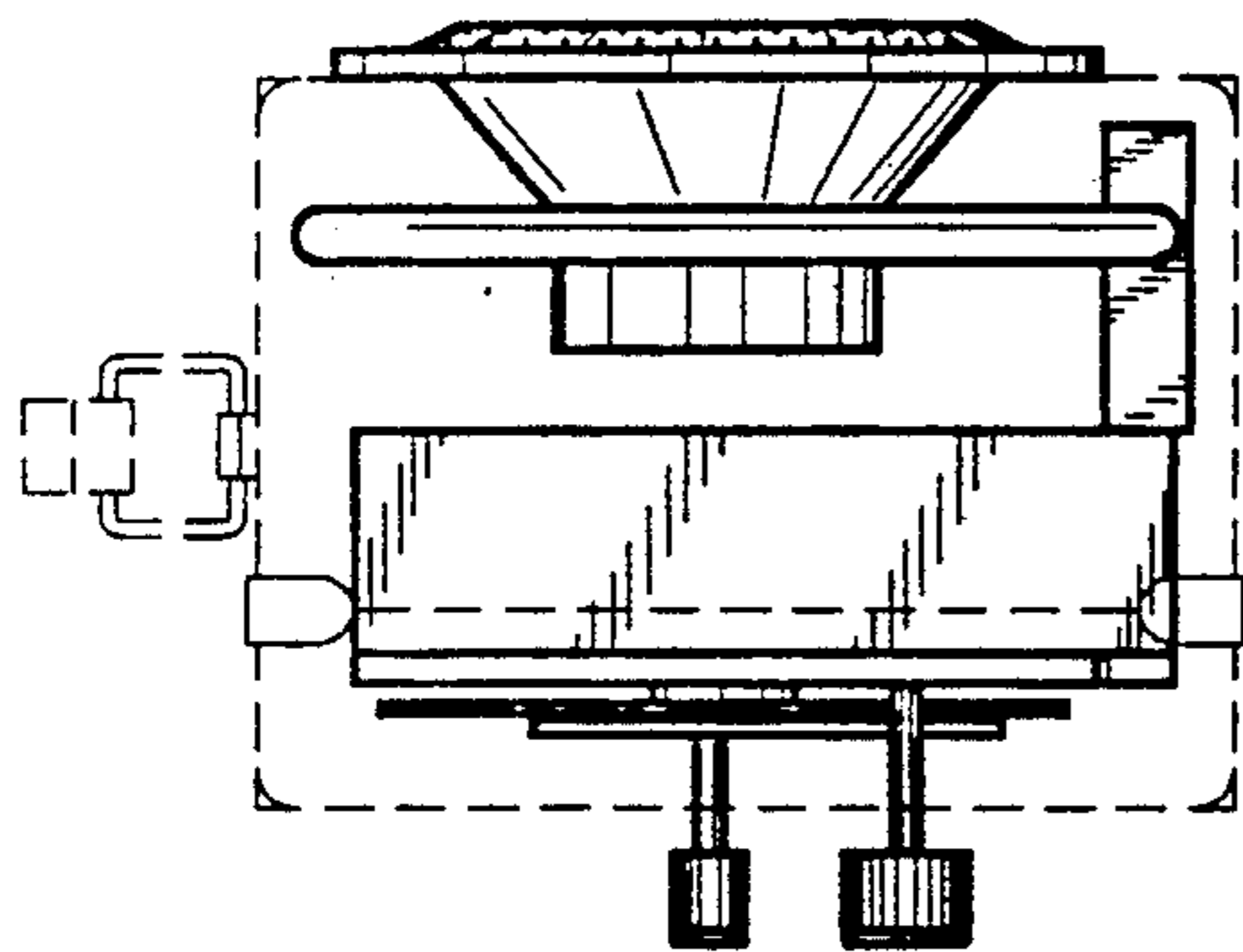


FIG.4

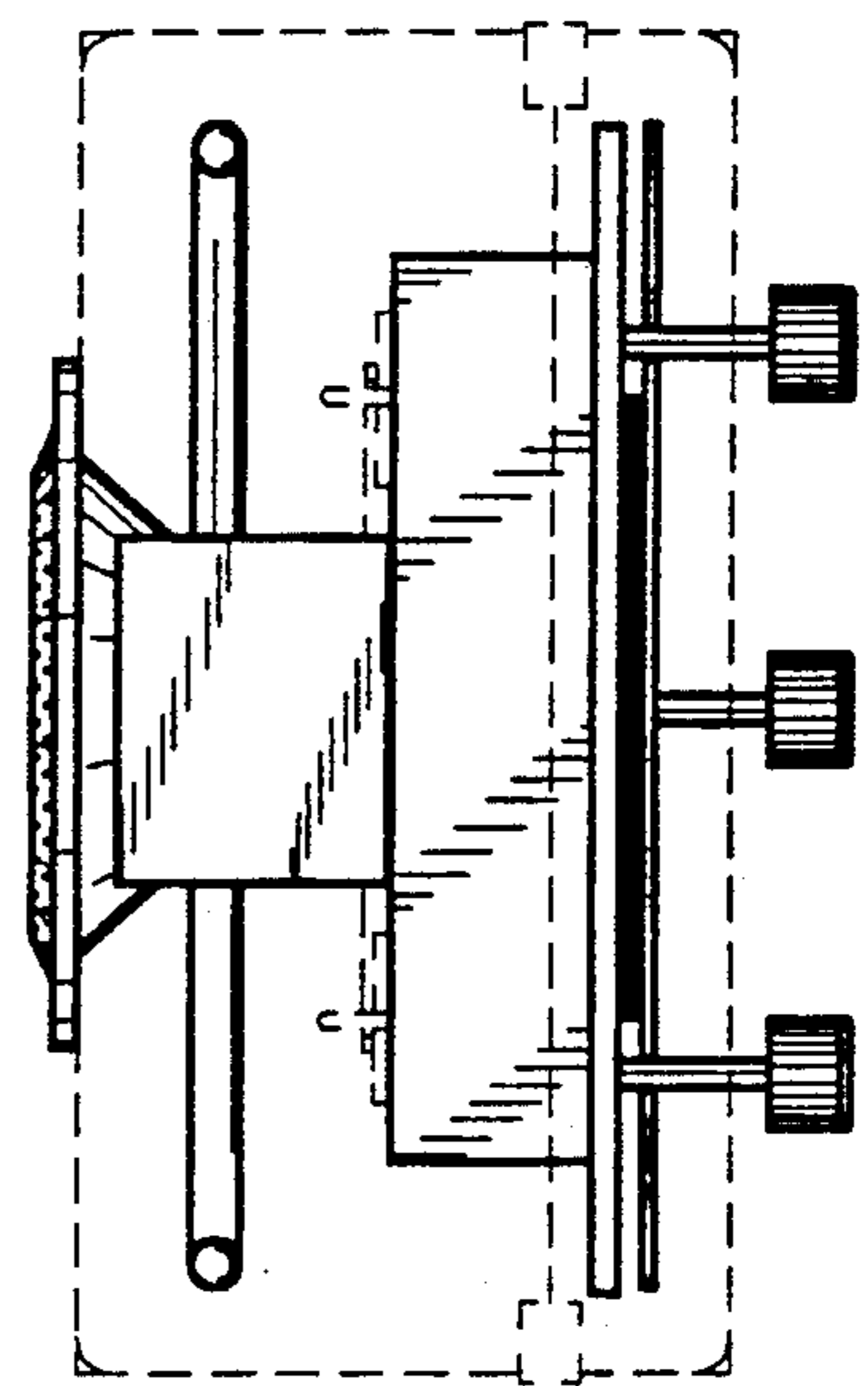


FIG.5

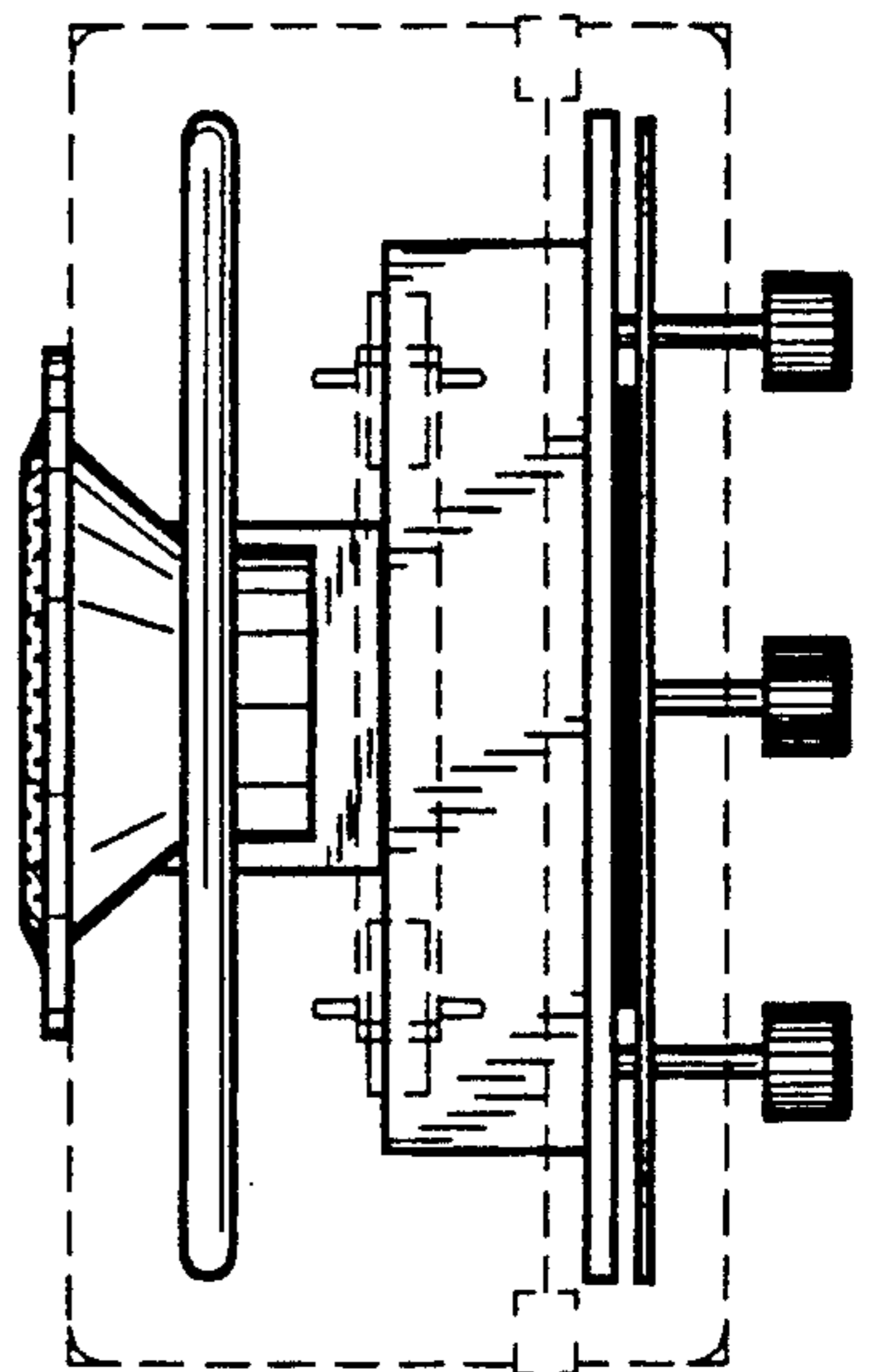


FIG.6