

[54] SURGE PROTECTOR WITH VISUAL INDICATOR

- [75] Inventor: Edward L. Hames, Peterborough, N.H.
[73] Assignee: Curtis Manufacturing Company, Inc., Jaffrey, N.H.
[**] Term: 14 Years
[21] Appl. No.: 324,334
[22] Filed: Mar. 16, 1989
[52] U.S. Cl. D13/142; D13/141; D13/160
[58] Field of Search D13/137, 139, 141, 143, D13/146; 361/56, 58, 108, 111; 340/653, 662; 337/265; 439/650-653, 105

[56] References Cited

U.S. PATENT DOCUMENTS

- D. 263,699 4/1982 Vest et al. D13/141
D. 270,628 9/1983 Bobrovinczky D13/141
D. 307,742 5/1990 Serr et al. D13/141
3,924,914 12/1975 Banner 439/105

FOREIGN PATENT DOCUMENTS

1074111 1/1960 Fed. Rep. of Germany 439/105

OTHER PUBLICATIONS

3-Wire Circuit Analyzer on p. 43 of Hardware Age, 8-86.

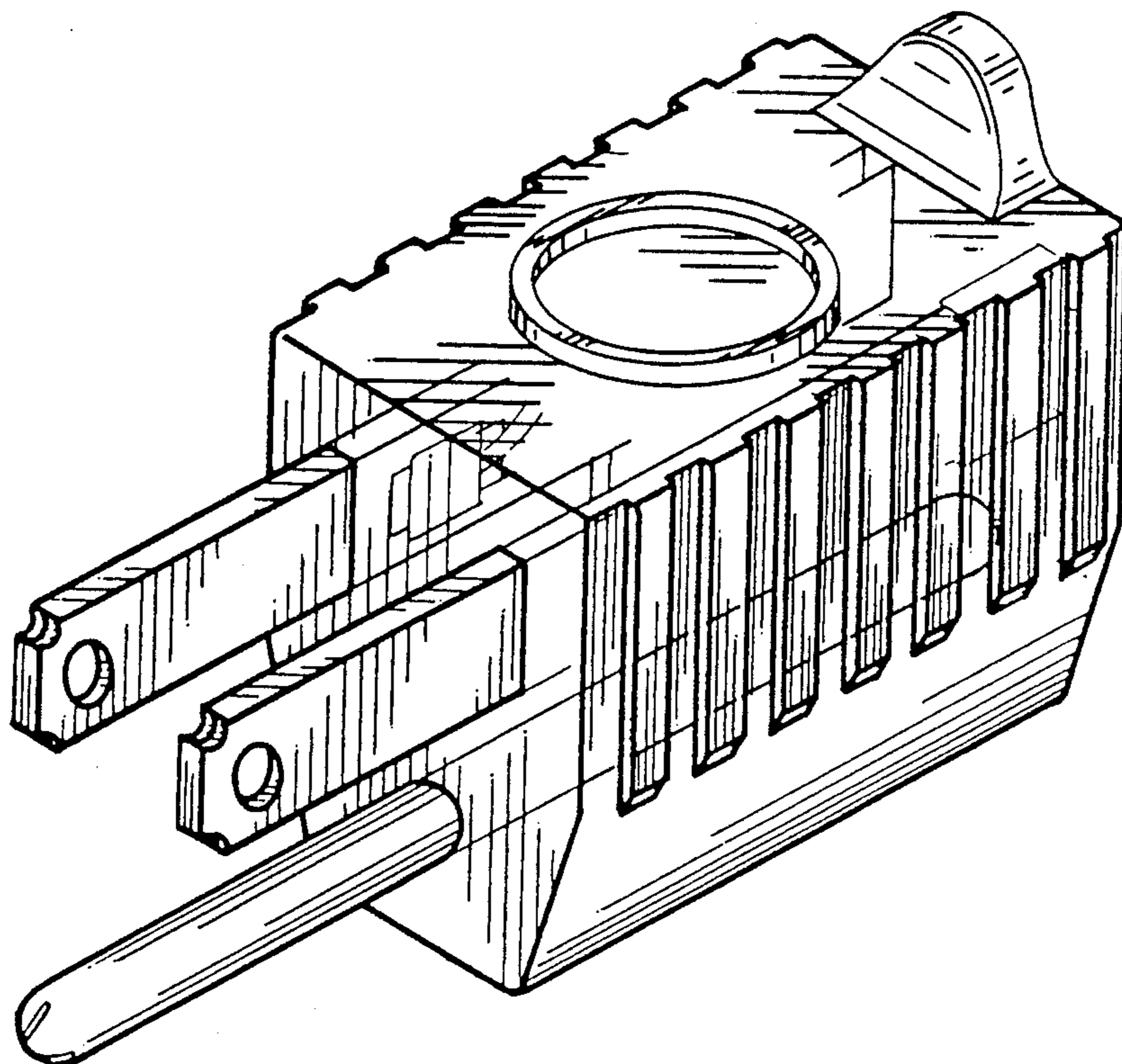
Primary Examiner—Susan J. Lucas
Assistant Examiner—Joel Sincavage
Attorney, Agent, or Firm—Richard P. Crowley

[57] CLAIM

The ornamental design for surge protector with visual indicator, as shown and described.

DESCRIPTION

FIG. 1 is a top, front and left side perspective view of a surge protector with visual indicator showing my new design;
FIG. 2 is a top plan view of a surge protector with visual indicator showing my new design on a reduced scale;
FIG. 3 is a bottom plan view thereof;
FIG. 4 is a front elevational view thereof;
FIG. 5 is a back elevational view thereof;
FIG. 6 is a right side elevational view thereof, the left side elevational view thereof being a mirror image.



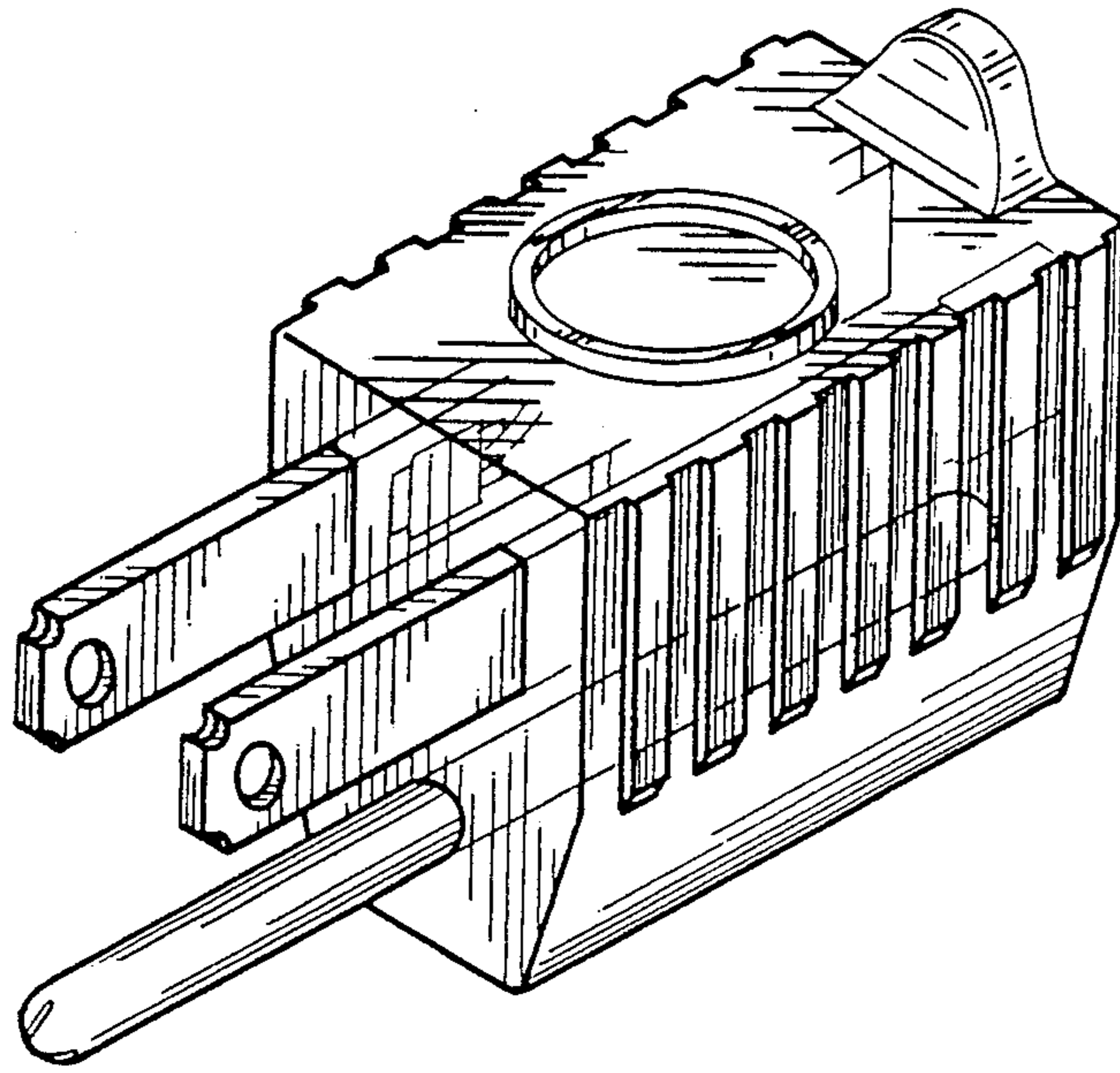


FIG. 1

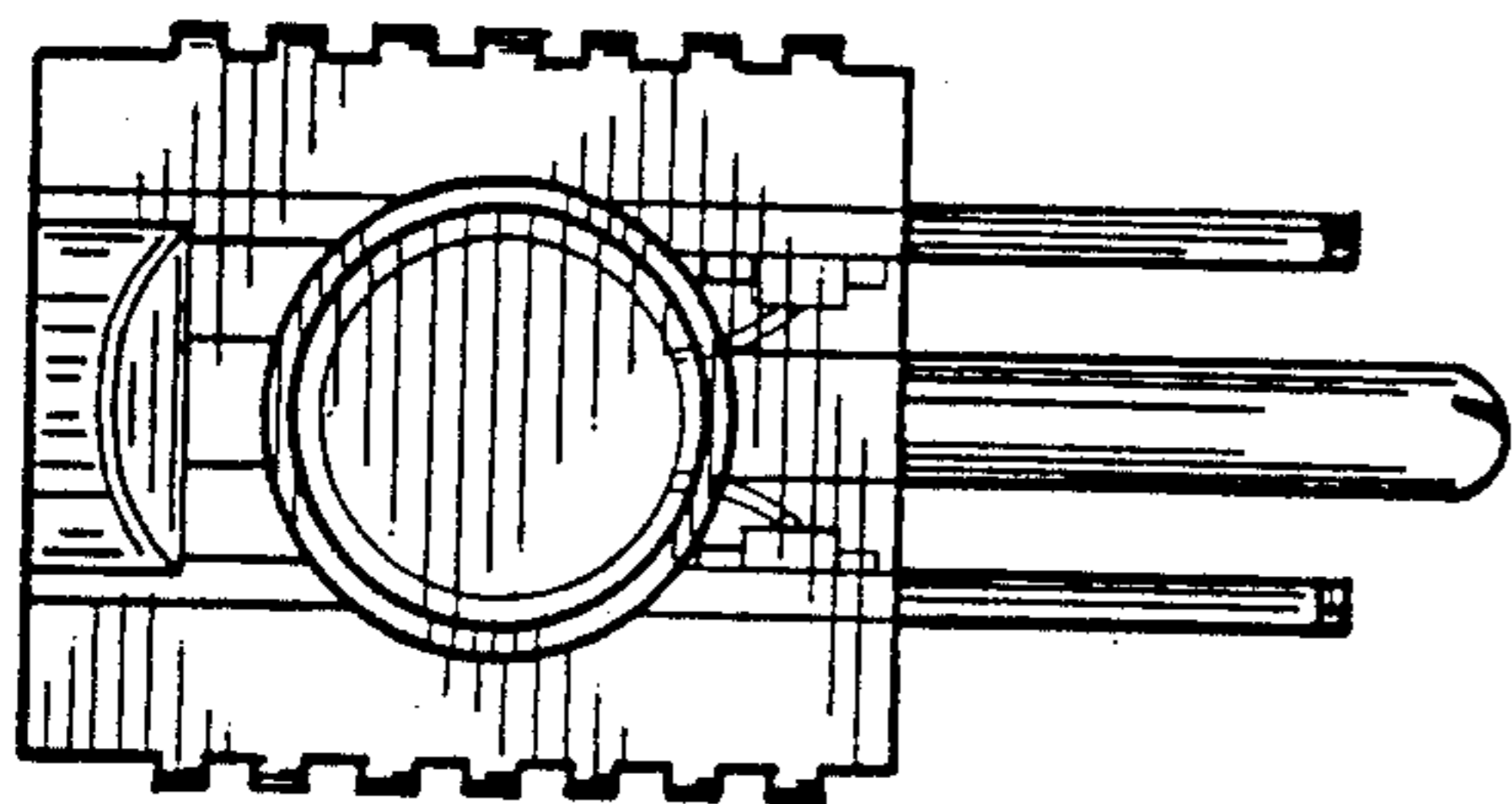


FIG. 2

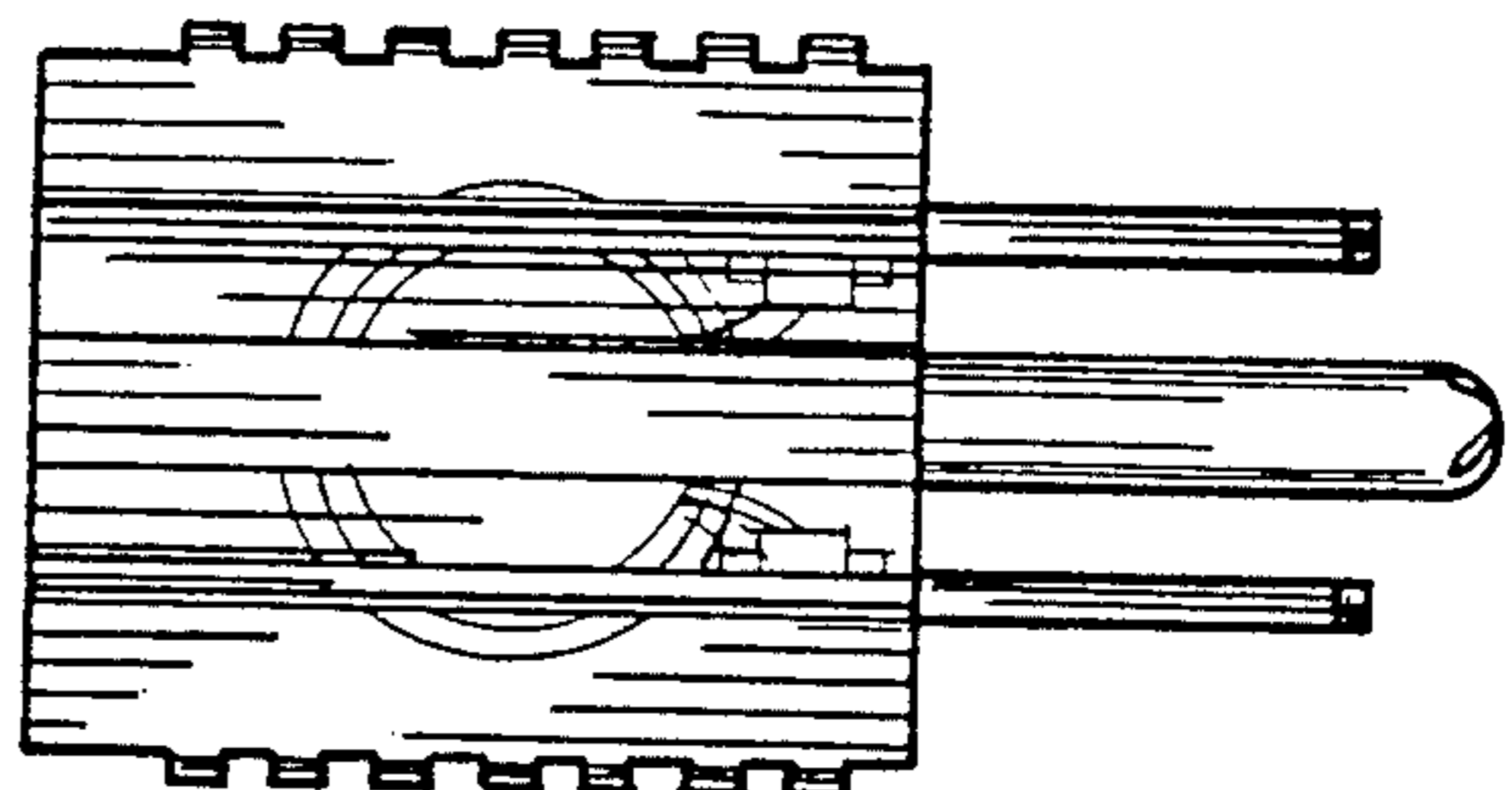


FIG. 3

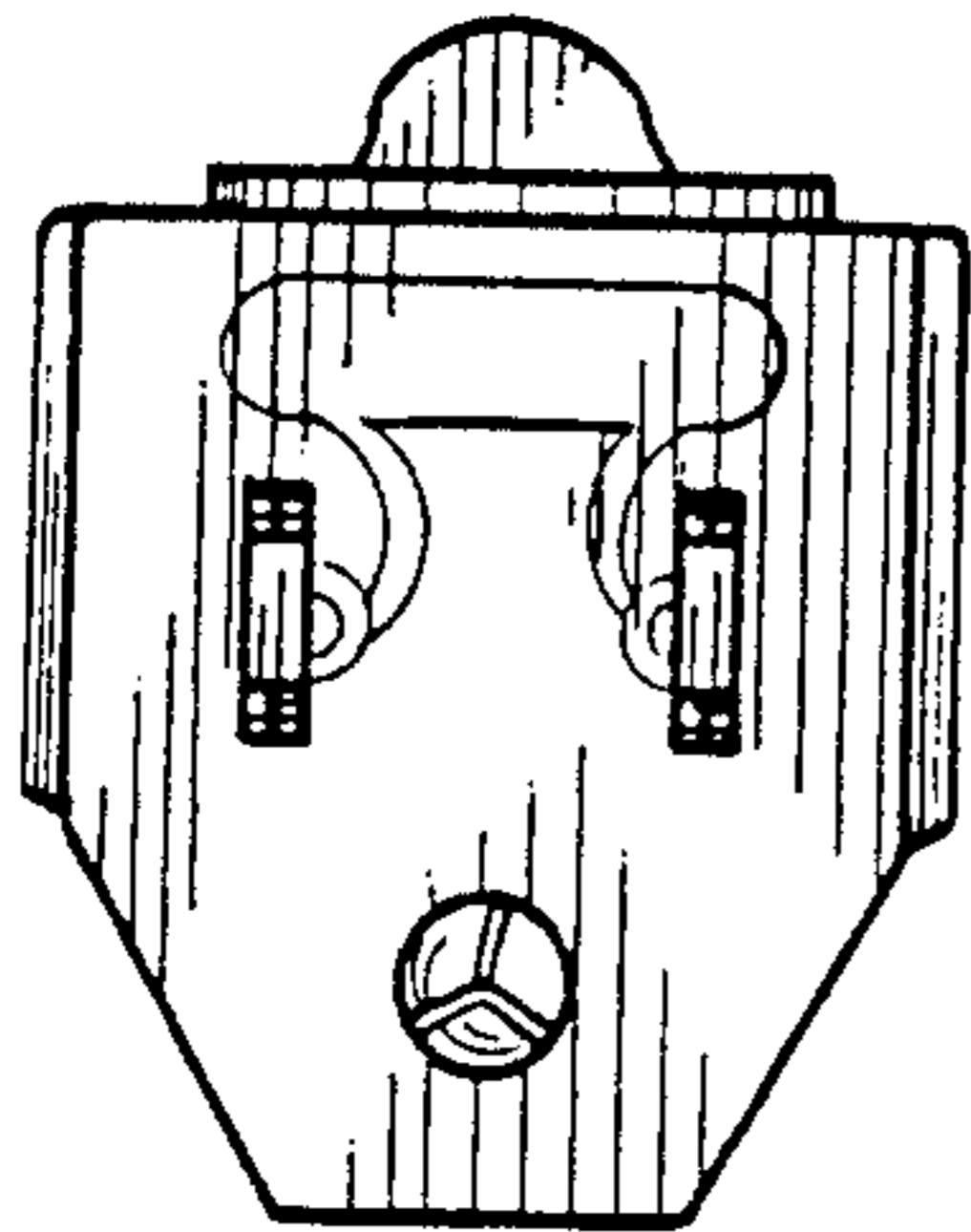


FIG. 4

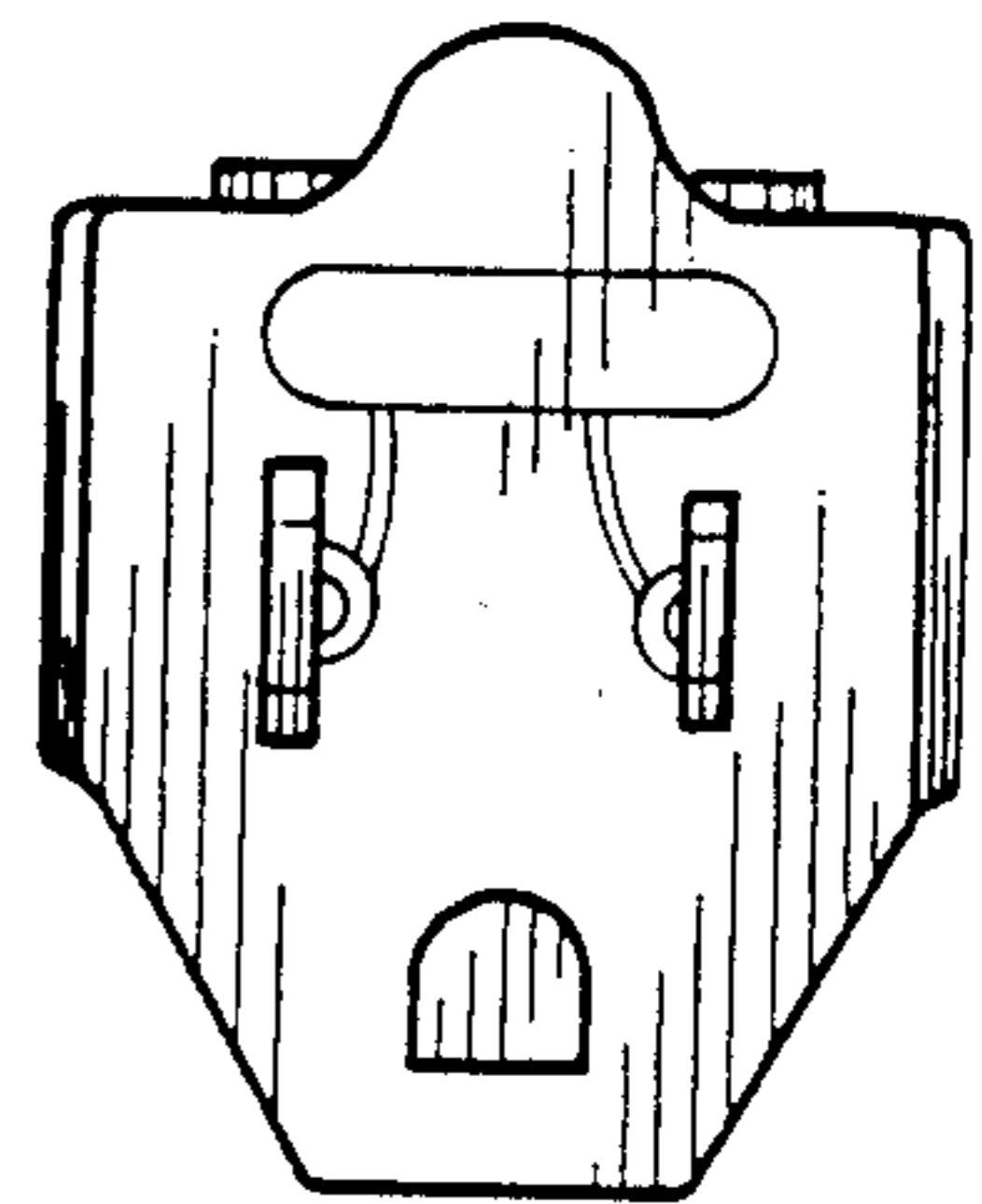


FIG. 5

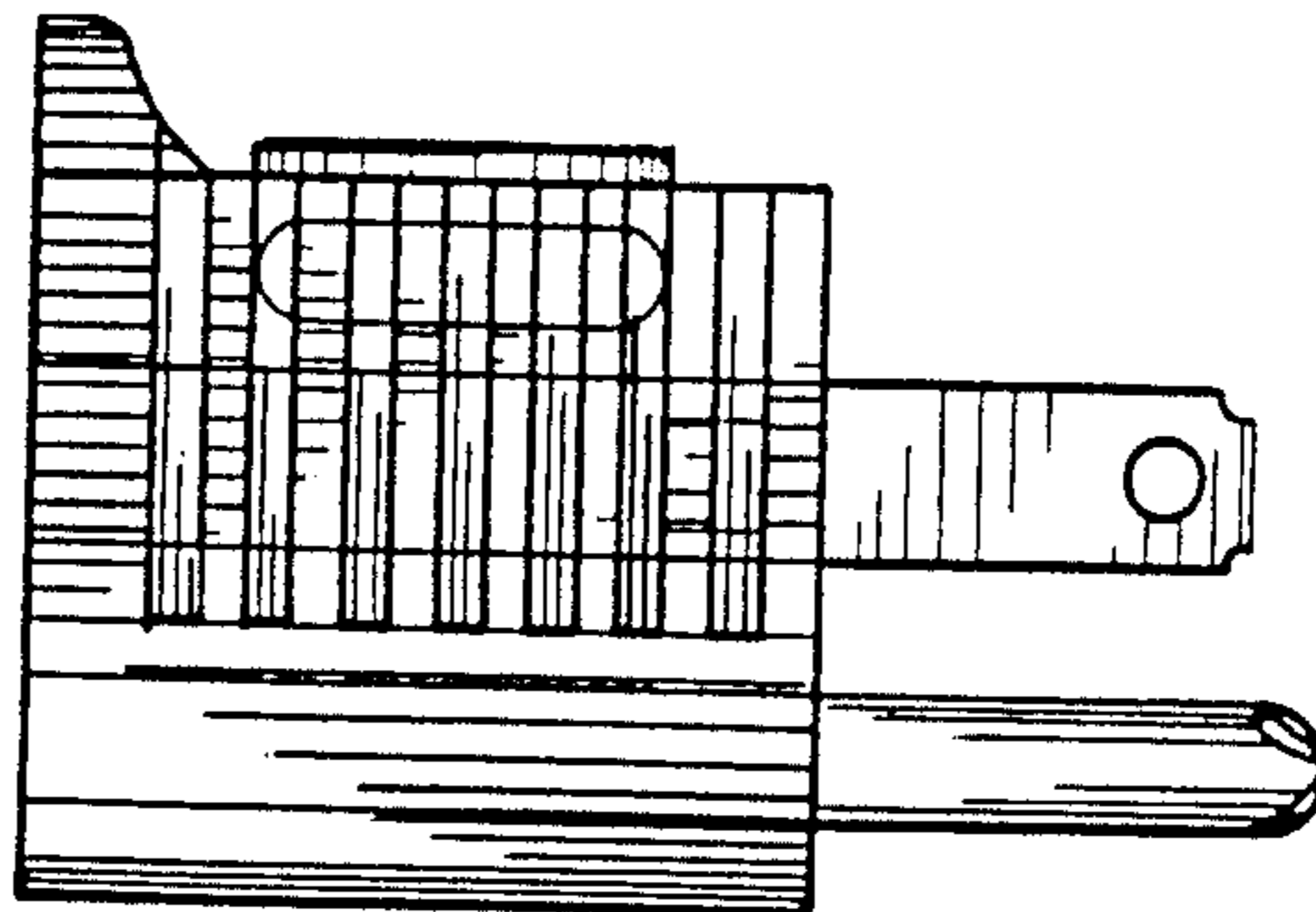


FIG. 6