

[54] **BOAT**

4,799,443 1/1989 Vogel D12/303

[76] **Inventor: André Runte, Chateau Périgord 2,
Monaco, Monaco, 98000**

*Primary Examiner—Kay H. Chin
Attorney, Agent, or Firm—Bacon & Thomas*

[**] **Term: 14 Years**

[57] **CLAIM**

[21] **Appl. No.: 346,601**

The ornamental design for a boat, as shown and described.

[22] **Filed: May 2, 1989**

DESCRIPTION

[30] **Foreign Application Priority Data**

Nov. 4, 1988 [WO] World Int. Prop. O. DM/012122

[52] **U.S. Cl. D12/303; D12/318**

[58] **Field of Search D12/300, 303, 318;
114/56, 343, 364, 355, 356, 357, 358, 39.1, 39.2**

FIG. 1 is a front and top perspective view of a boat showing my new design;

FIG. 2 is a top, rear and side perspective view thereof;

FIG. 3 is a side elevational view thereof, the opposite side elevational view being a mirror image of that shown;

FIG. 4 is a bottom plan view thereof;

FIG. 5 is a front elevational view thereof; and

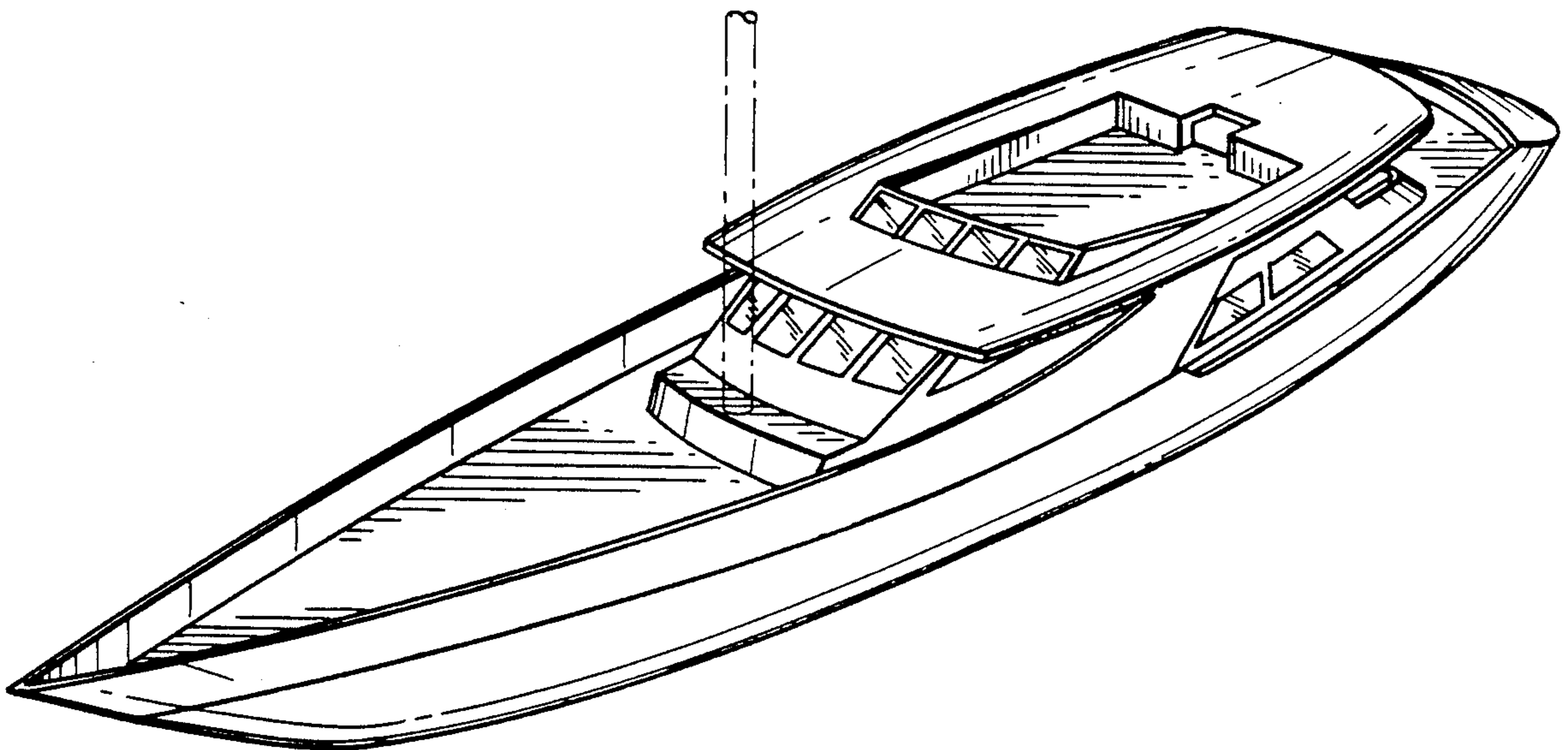
FIG. 6 is a front elevational view thereof.

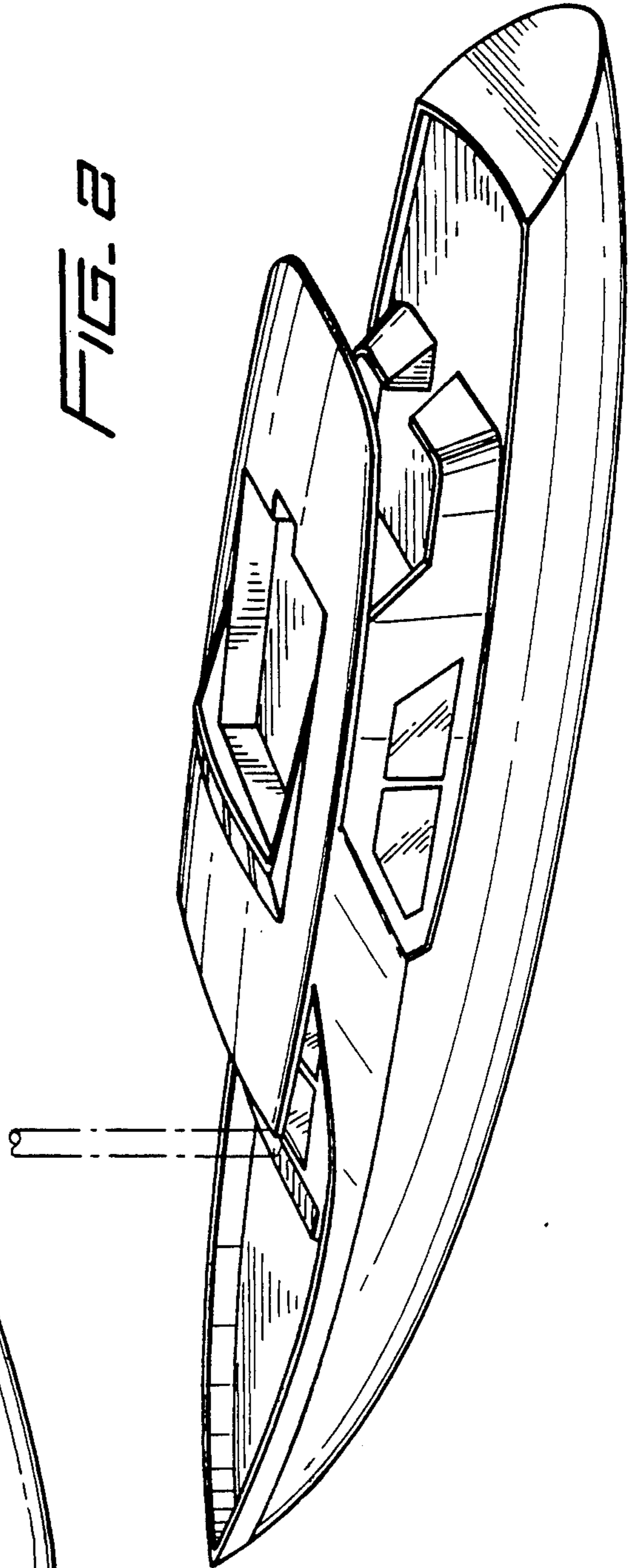
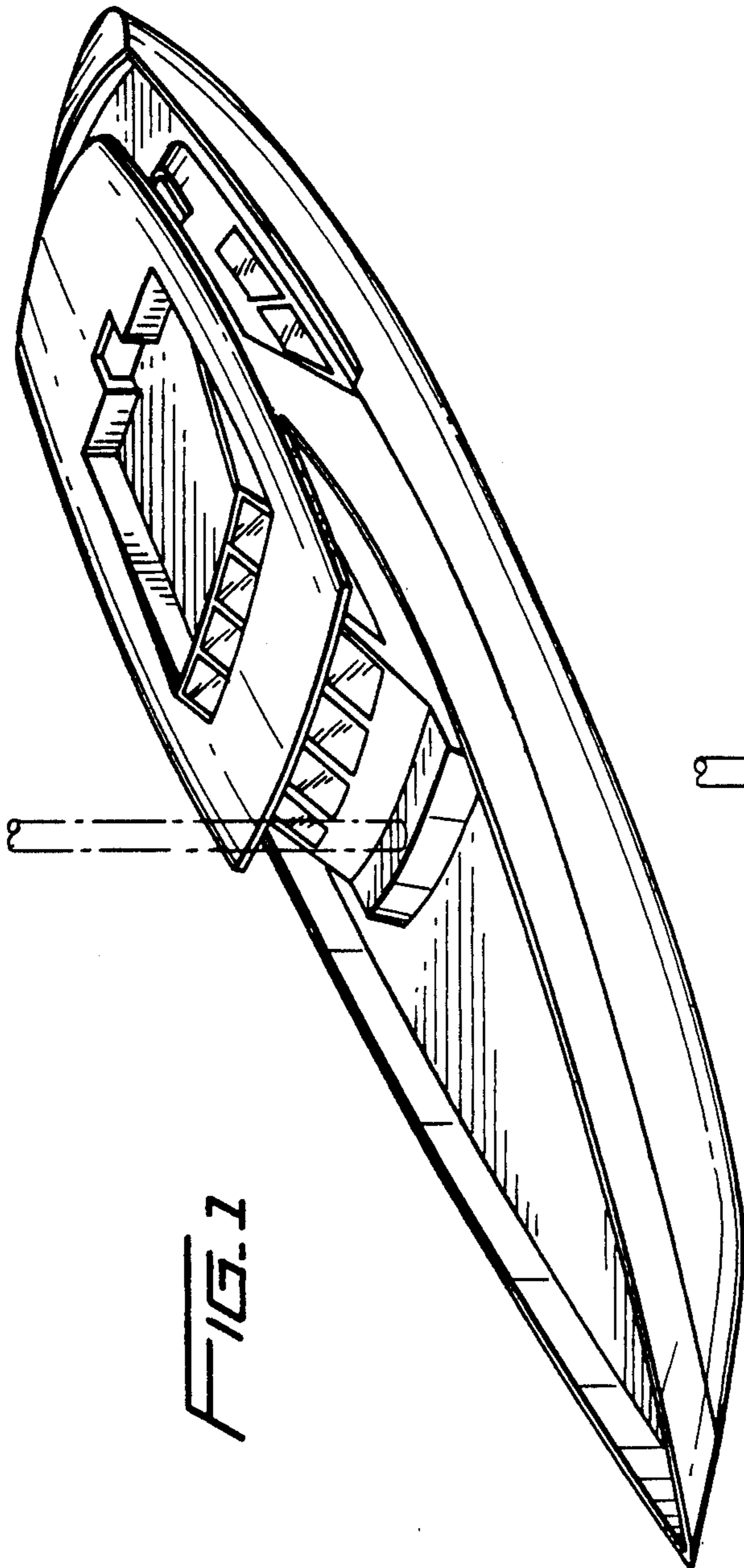
The broken lines shown in FIGS. 1, 2, 3, 5 and 6 are for illustrative purposes only and form no part of the claimed design.

[56] **References Cited**

U.S. PATENT DOCUMENTS

- D. 223,517 4/1972 Crealock D12/303
- D. 242,134 11/1976 Humpley D12/303
- 4,723,498 2/1988 Shawpe 114/39.1





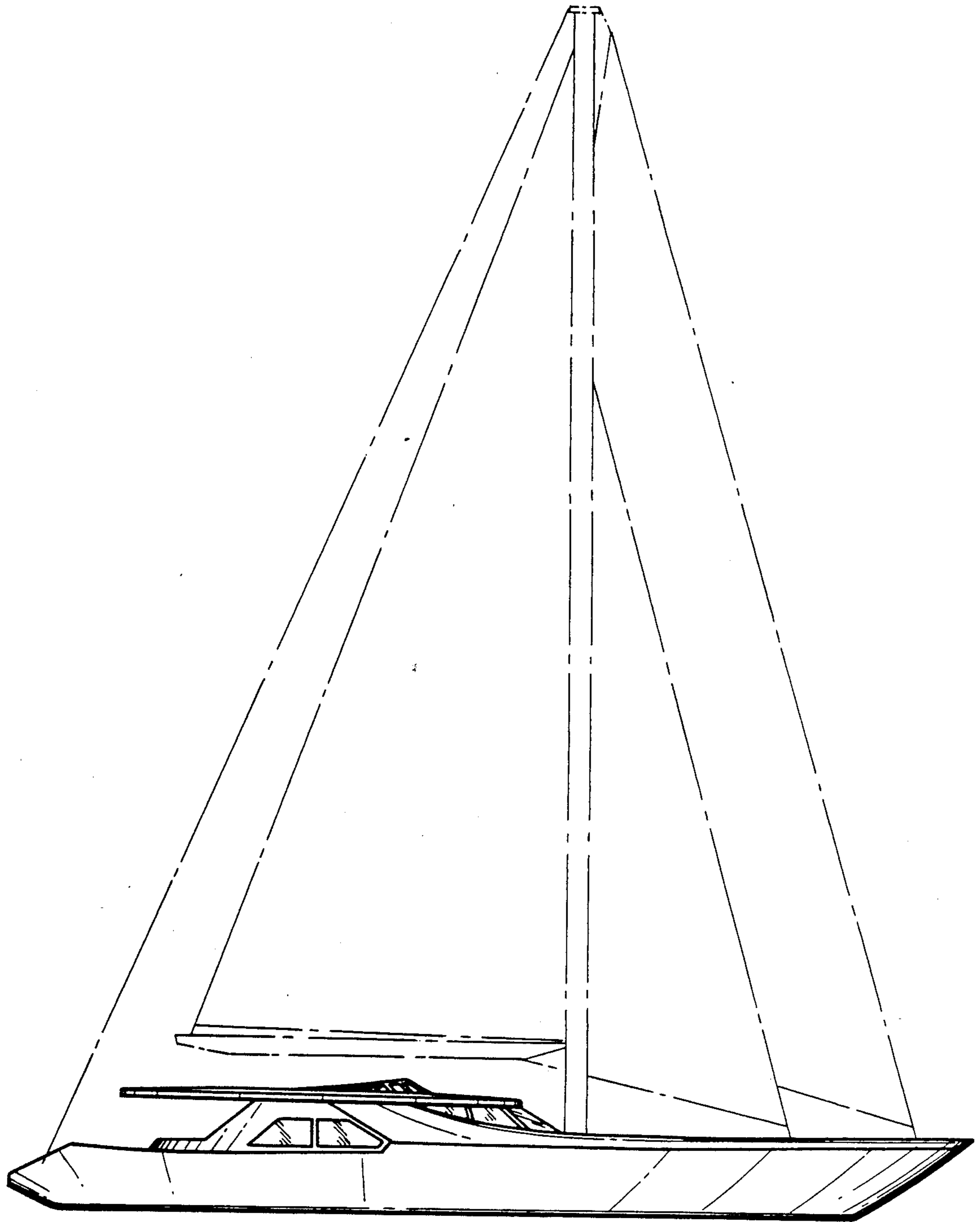


FIG. 3

FIG. 4

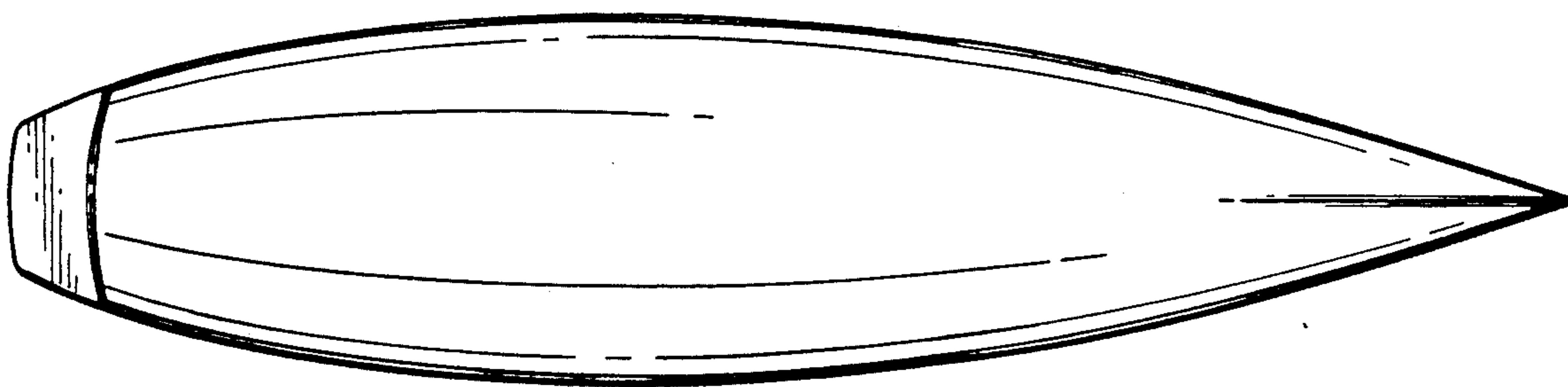


FIG. 5

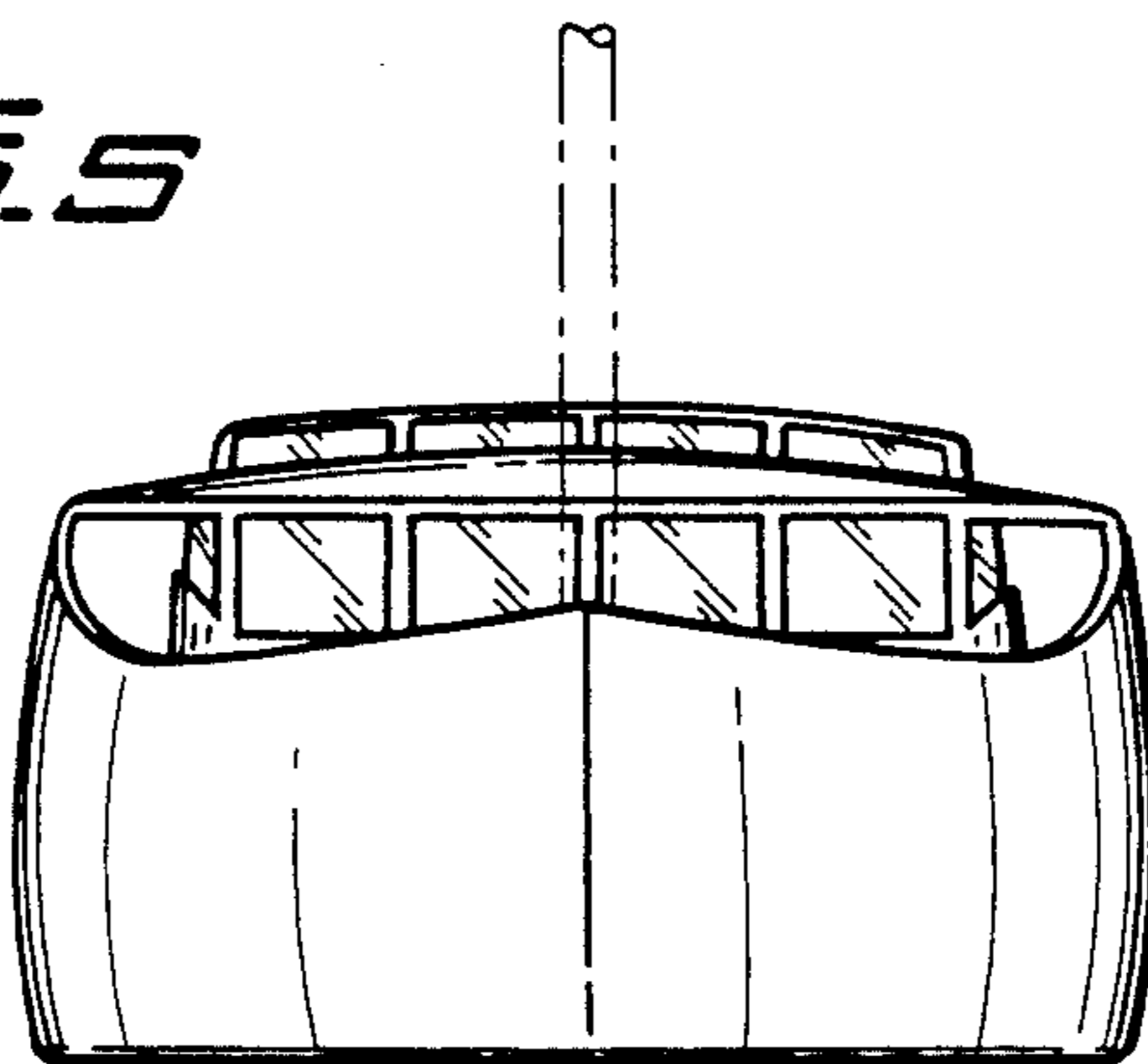


FIG. 6

