

# United States Patent [19]

Spiegel et al.

[11] Patent Number: Des. 315,123

[45] Date of Patent: \*\* Mar. 5, 1991

[54] WHEEL CHAIR

[75] Inventors: Alan M. Spiegel, New Rochelle, N.Y.; John Hatala, Paterson, N.J.

[73] Assignee: Temco Home Health Care Products, Inc., Passaic, N.J.

[\*\*] Term: 14 Years

[21] Appl. No.: 171,275

[22] Filed: Mar. 21, 1988

[52] U.S. Cl. .... D12/131; D6/335; D6/338

[58] Field of Search ..... D6/338, 335, 361, 379; 297/30, 76, 128; D12/131

[56] References Cited

U.S. PATENT DOCUMENTS

- D. 157,959 4/1950 Kahan ..... D6/338
- D. 196,176 9/1963 Beardmore ..... D12/131
- D. 223,823 6/1972 Bowen ..... D12/131
- D. 229,923 1/1974 Thomas ..... D12/131

- D. 239,485 4/1976 Thomas ..... D6/335
- D. 261,577 11/1981 Heritage ..... D6/338
- D. 276,859 12/1984 Kramer et al. .... D6/361
- D. 283,286 4/1986 Uenger ..... D6/379
- D. 286,762 11/1986 Britz ..... D6/379
- D. 301,131 5/1989 Brooks ..... D12/131
- 2,630,162 3/1953 Rechler ..... 297/30

Primary Examiner—Bruce W. Dunkins  
Assistant Examiner—J. H. Musgrove  
Attorney, Agent, or Firm—Mathews, Woodbridge & Collins

[57] CLAIM

The ornamental design for a wheel chair, as shown and described.

DESCRIPTION

FIG. 1 is a front perspective view of the wheel chair showing our new design with the tray down;  
FIG. 2 is a front perspective view showing the tray up; and  
FIG. 3 is a front elevational view showing the tray down.

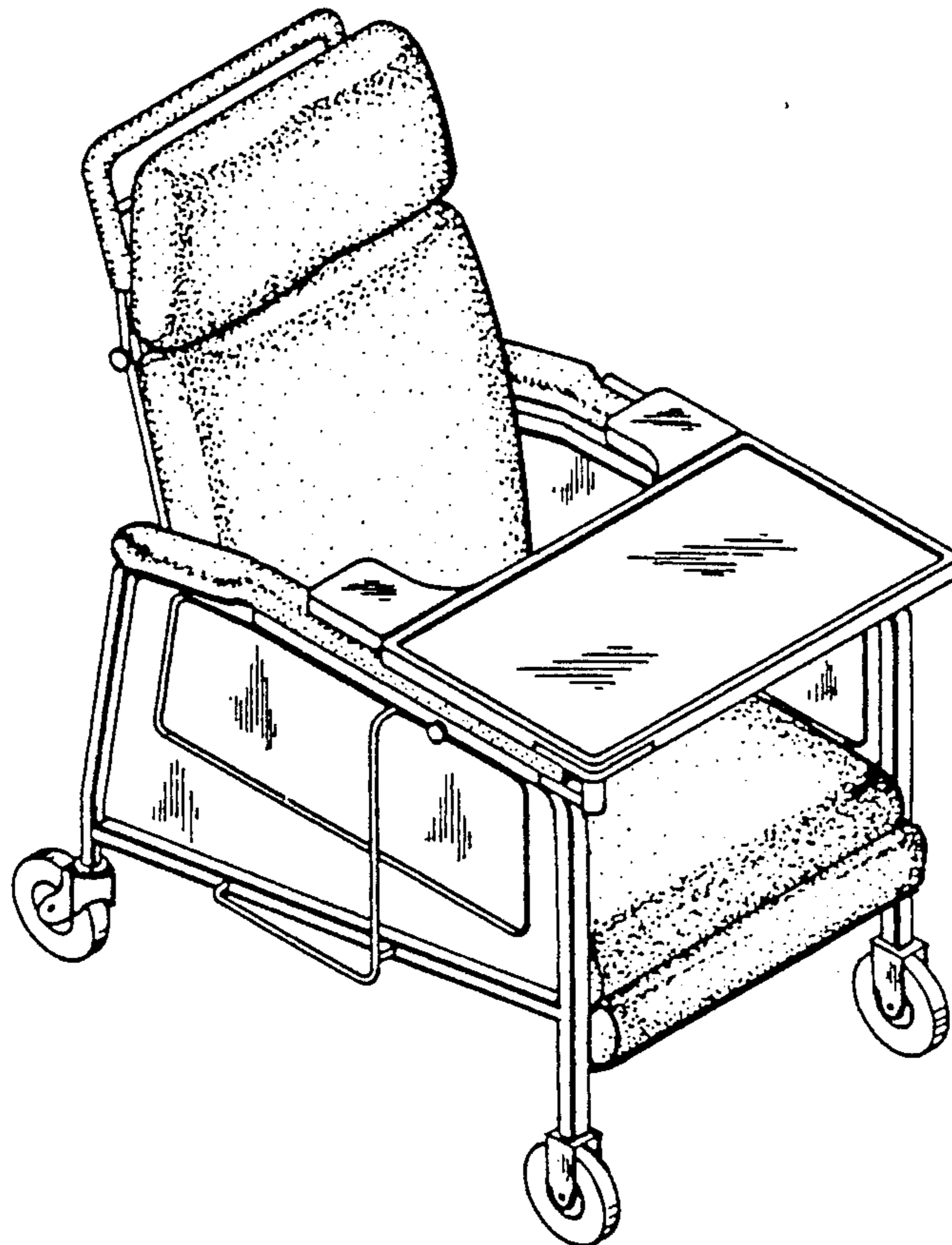


FIG. 1

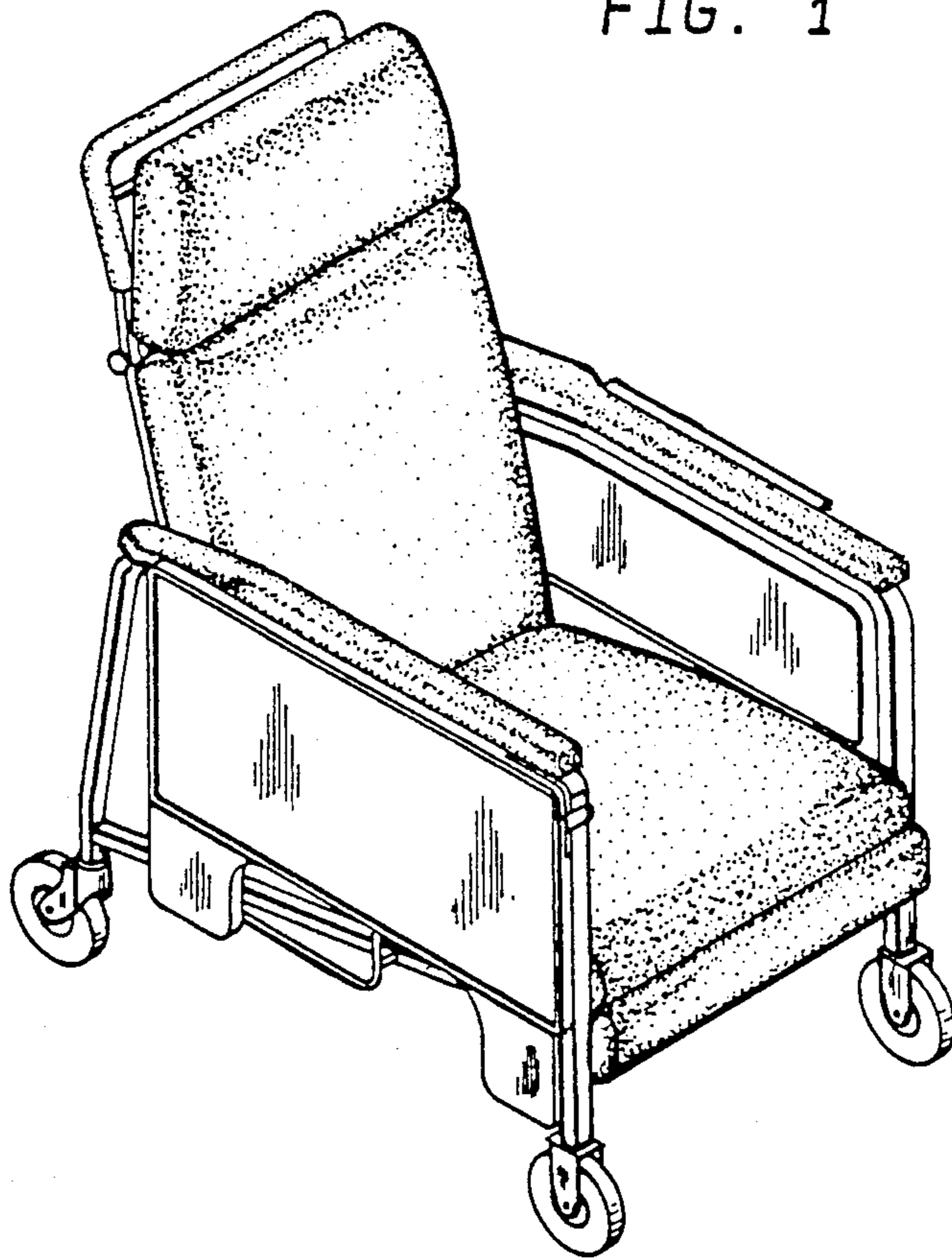
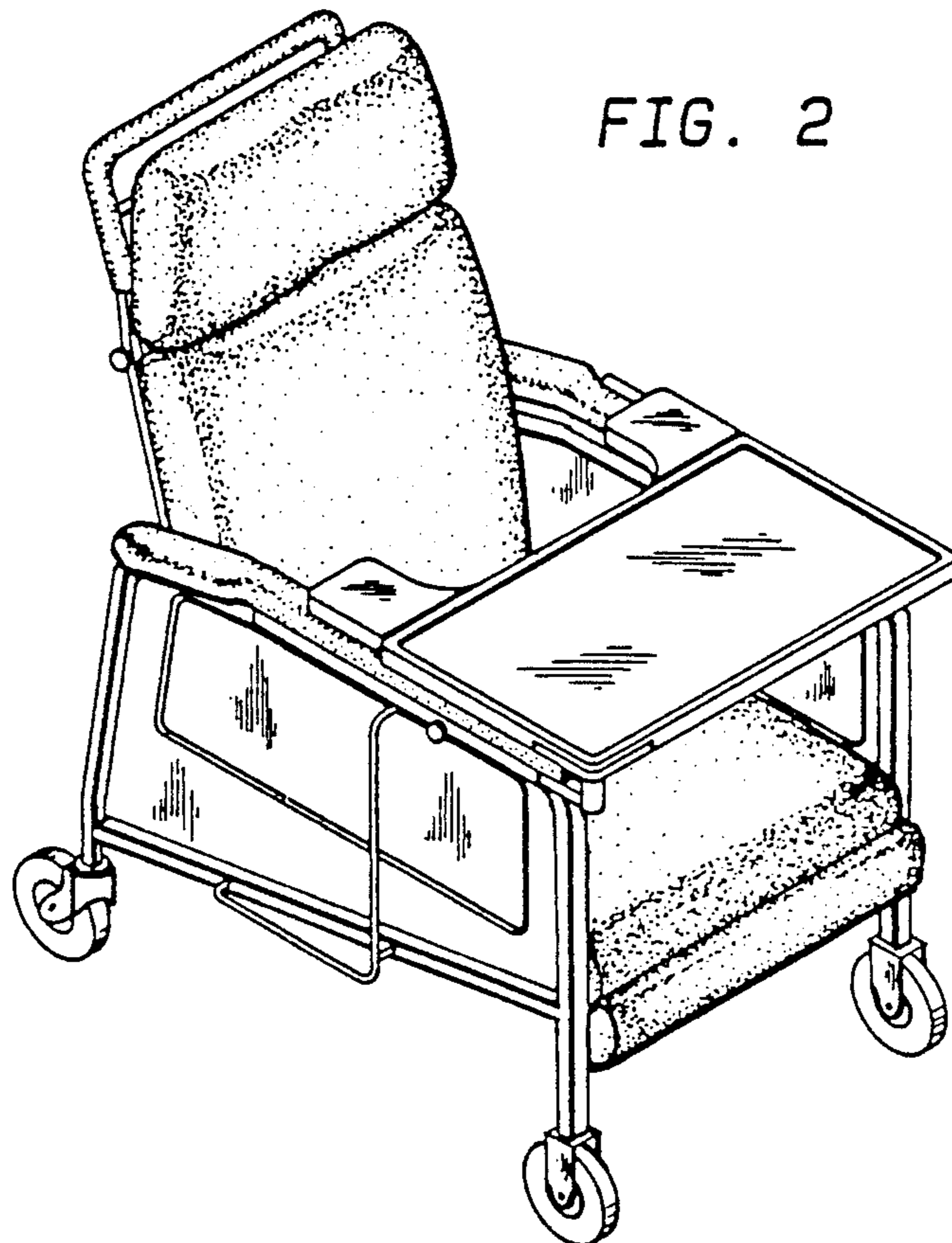


FIG. 2



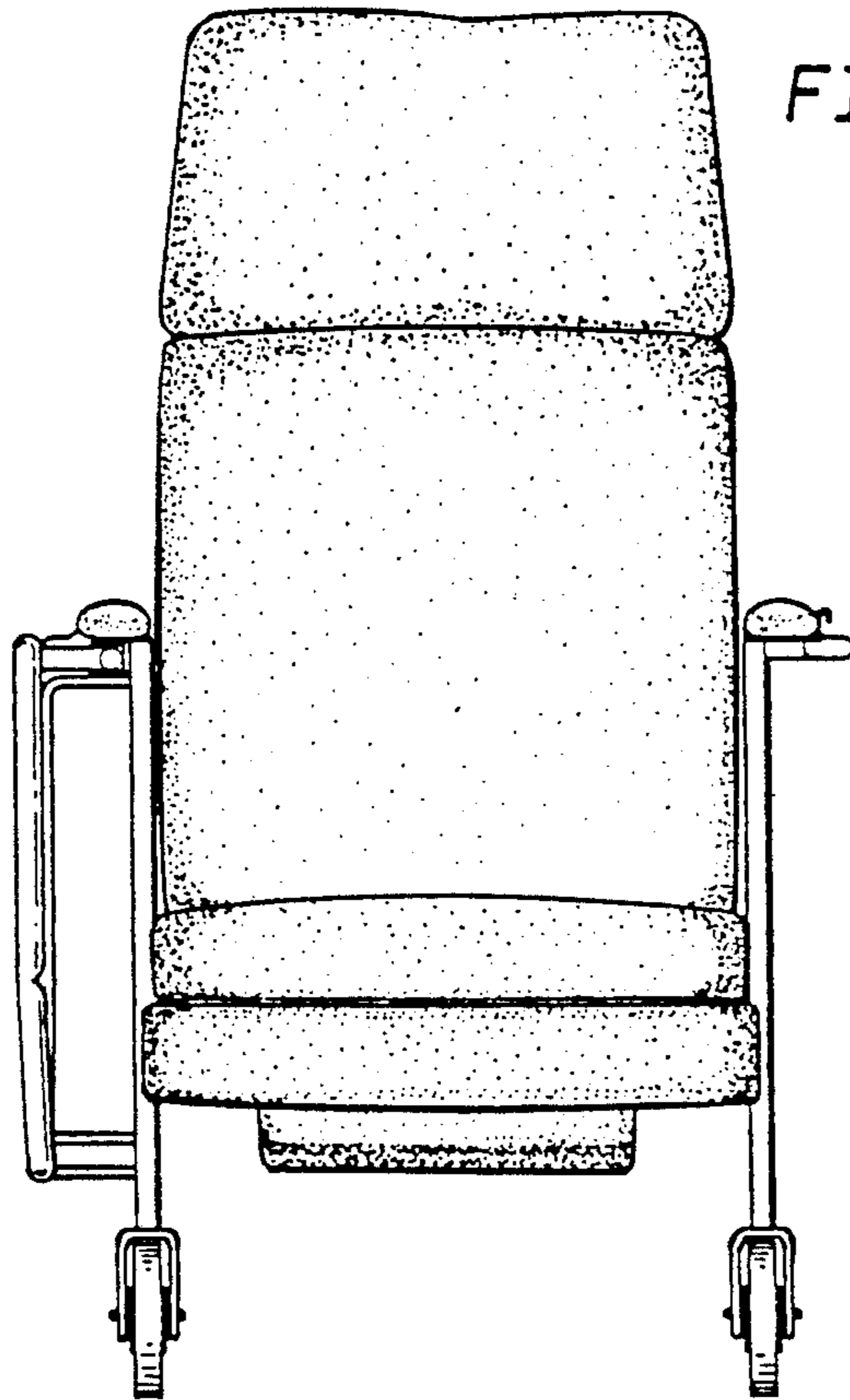


FIG. 3

FIG. 4

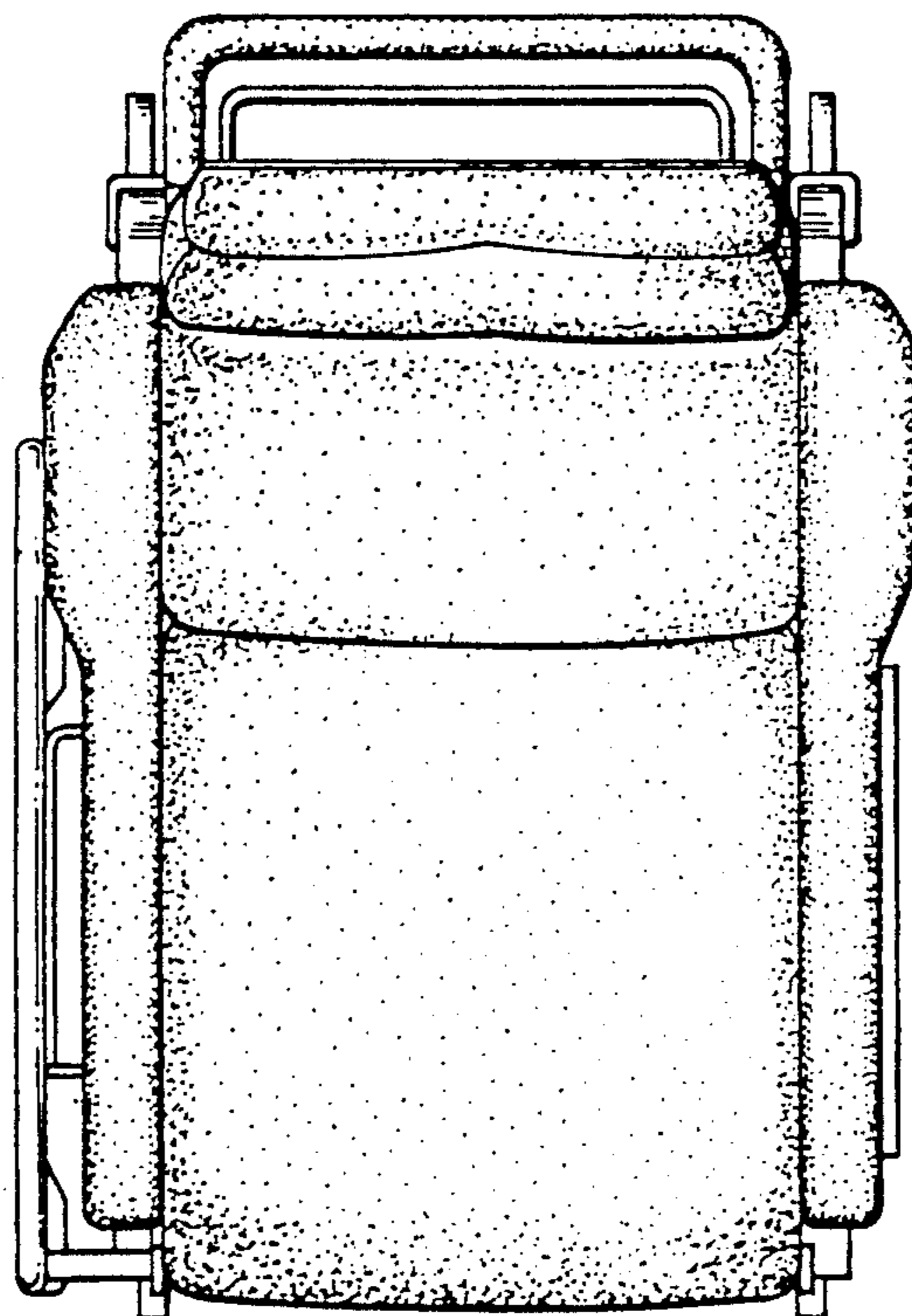


FIG. 5

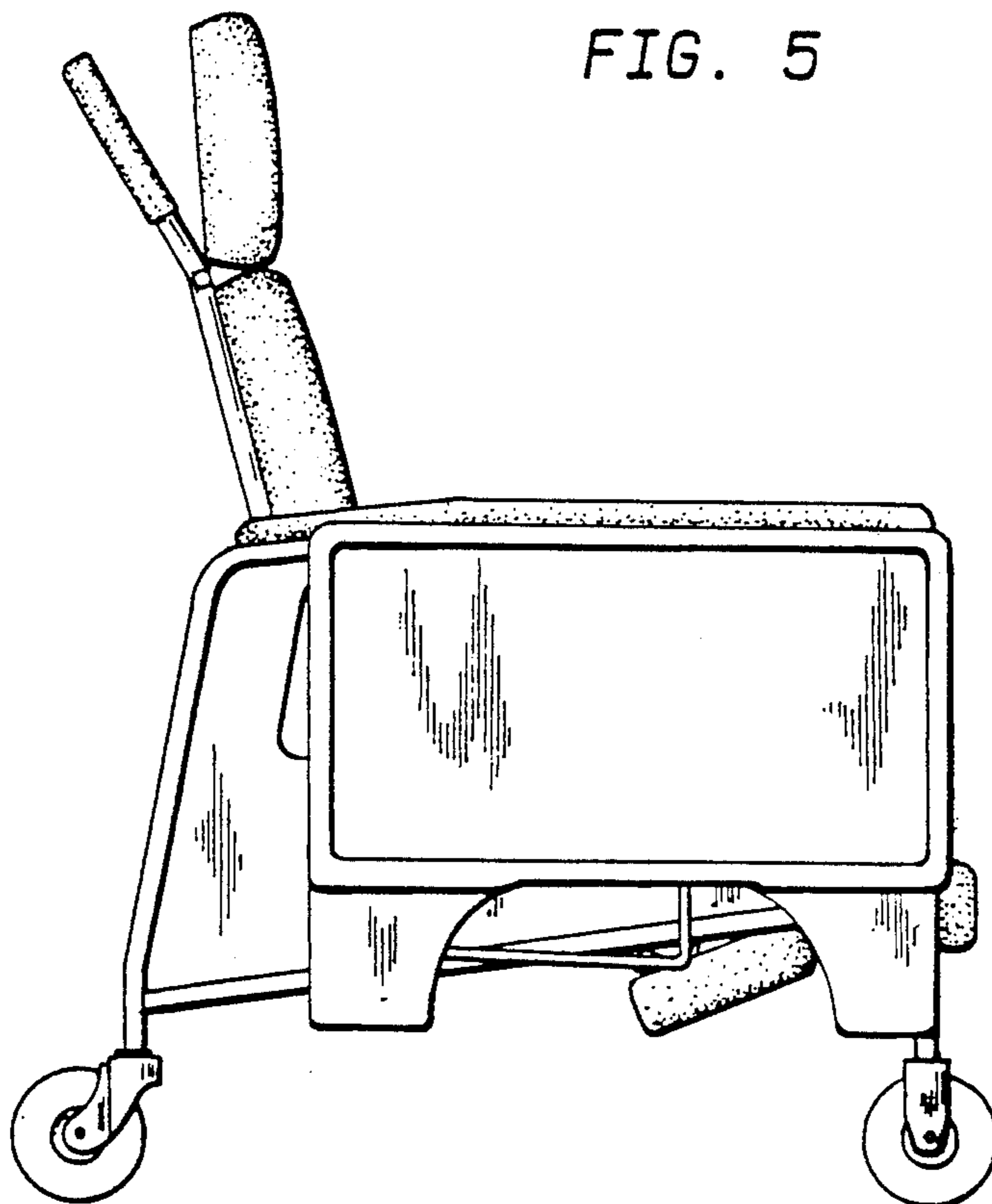
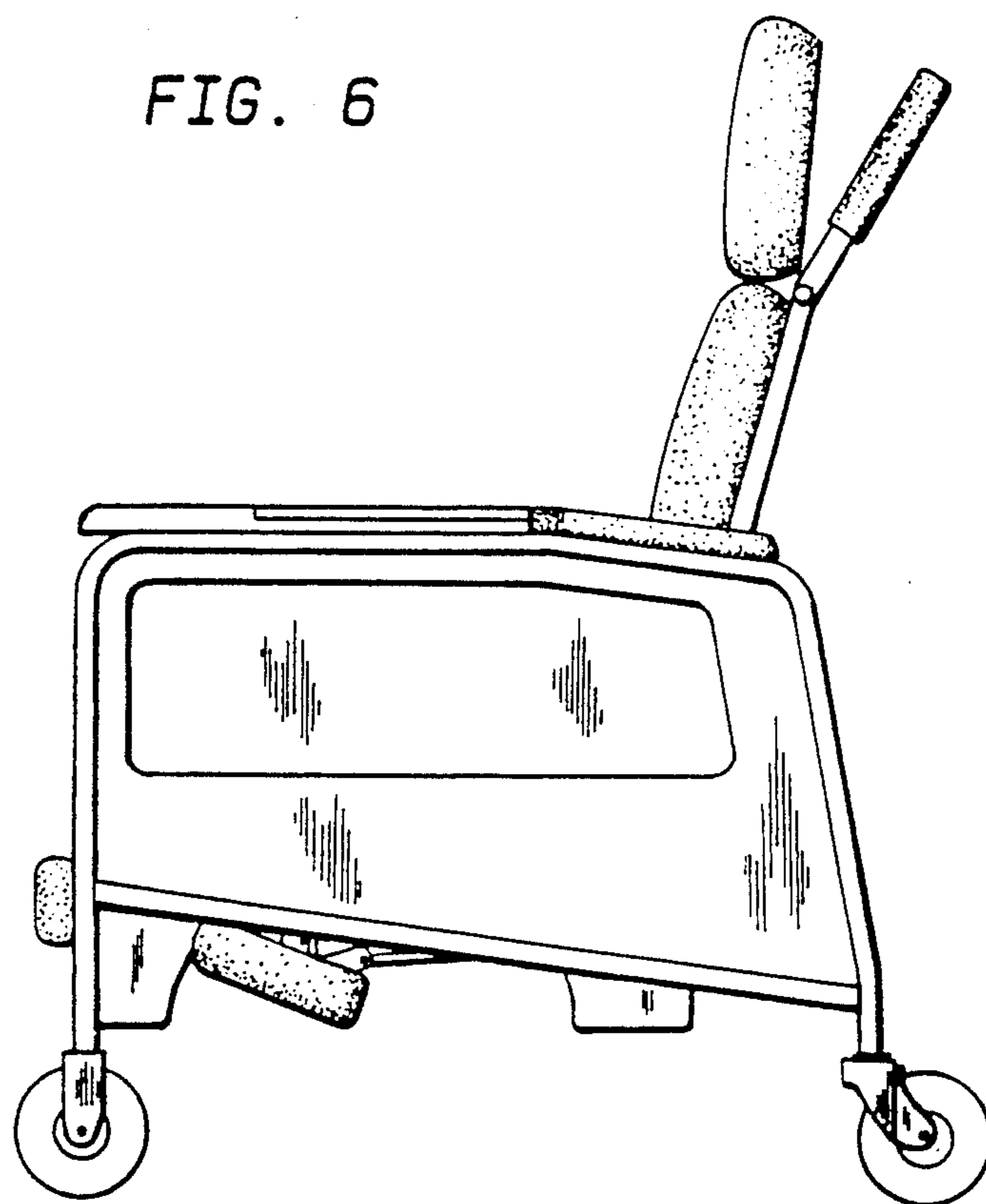


FIG. 6



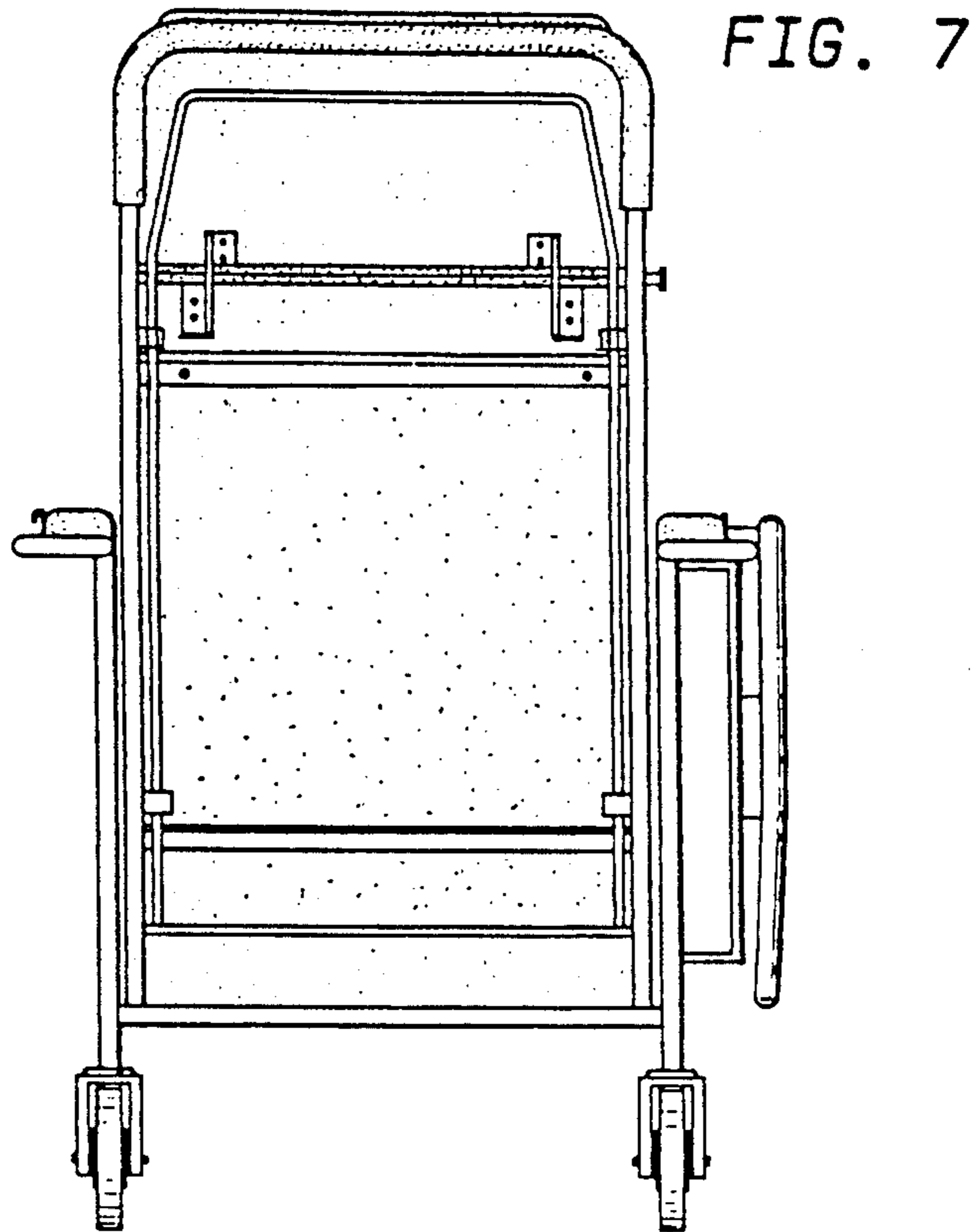


FIG. 8

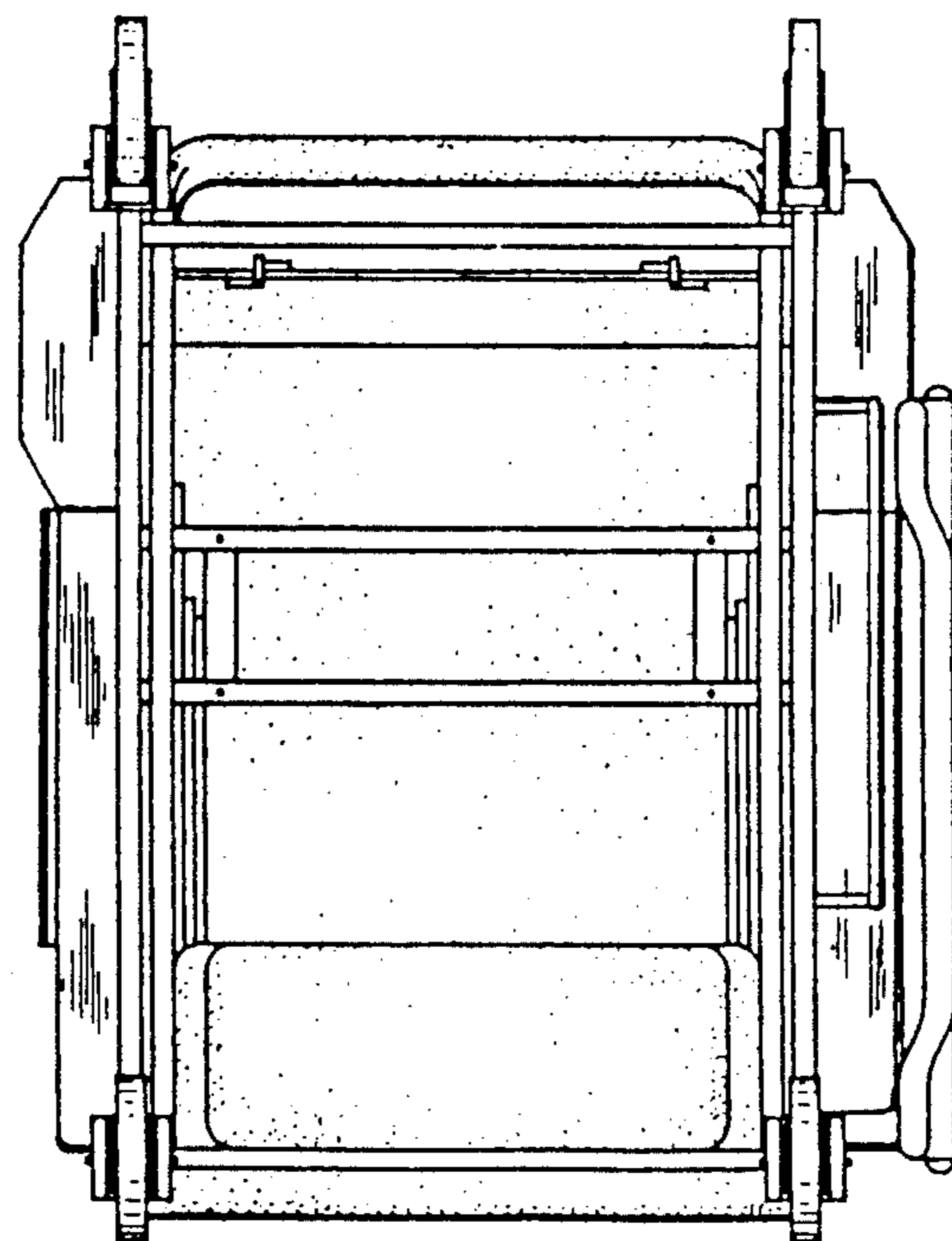


FIG. 9

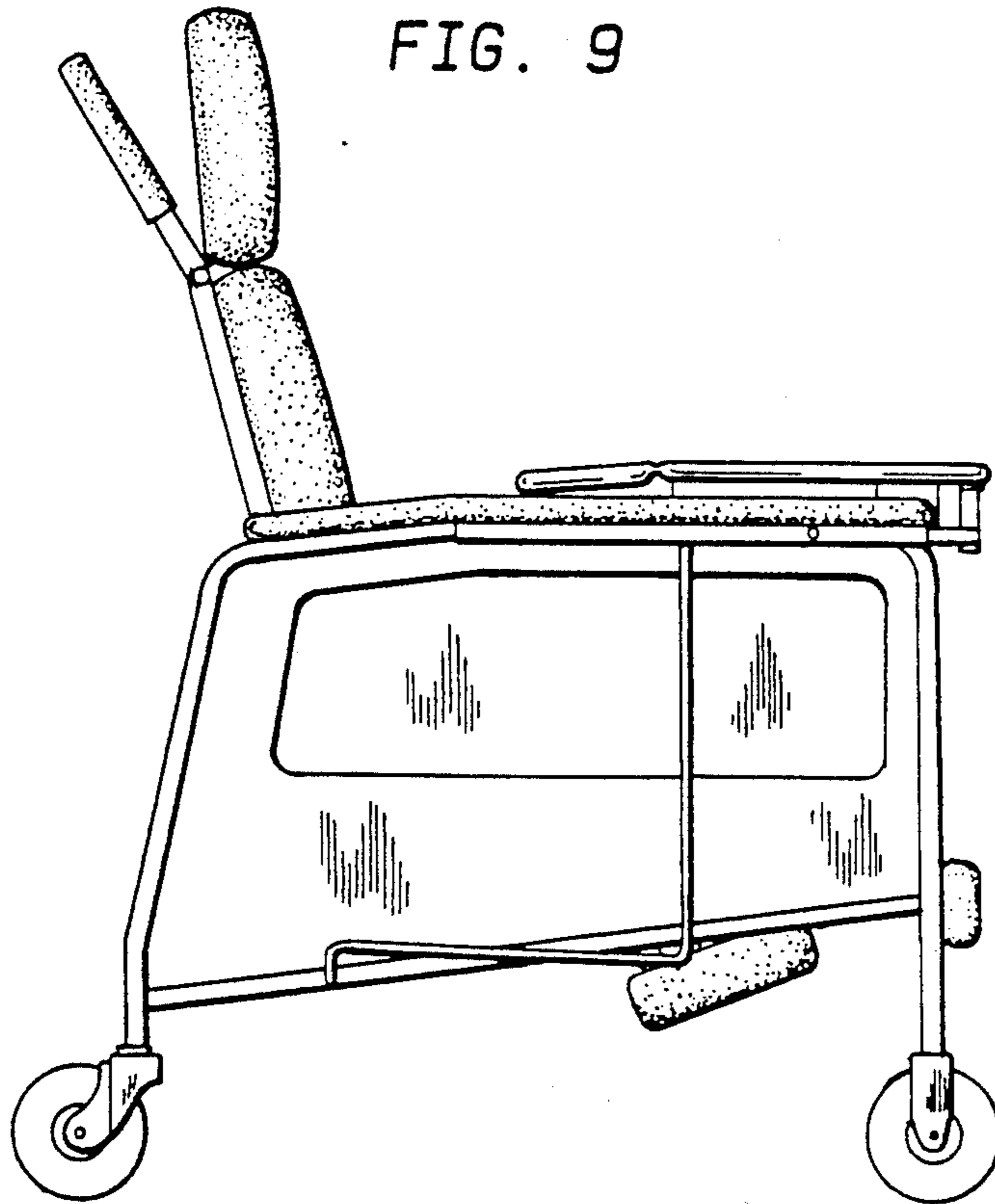


FIG. 10

