

[54] BICYCLE MOUNTING BRACKET

[76] Inventor: Dan Schramm, 1275 Oakdale #C, El Cajon, Calif. 92021

[**] Term: 14 Years

[21] Appl. No.: 150,728

[22] Filed: Feb. 1, 1988

[52] U.S. Cl. D12/115

[58] Field of Search D12/115; 211/17, 18, 211/19, 22; 224/30 R, 39, 42.42, 315, 323, 42.03 B; 280/279; 248/309.1, 309.2, 316.1, 231.1

[56] References Cited

U.S. PATENT DOCUMENTS

1,027,711	5/1912	Ette	248/231.1
2,731,229	1/1956	Seitz	248/309.2
3,807,761	4/1974	Brilando et al.	280/279
4,598,847	7/1986	Ames, III	224/39
4,611,556	9/1986	Frank	248/309.2
4,805,941	2/1989	Downing et al.	280/279

FOREIGN PATENT DOCUMENTS

2597058 10/1987 France 280/279

OTHER PUBLICATIONS

Hardt Bicycle Carriers instruction sheet, 7/1977, handlebar mount.

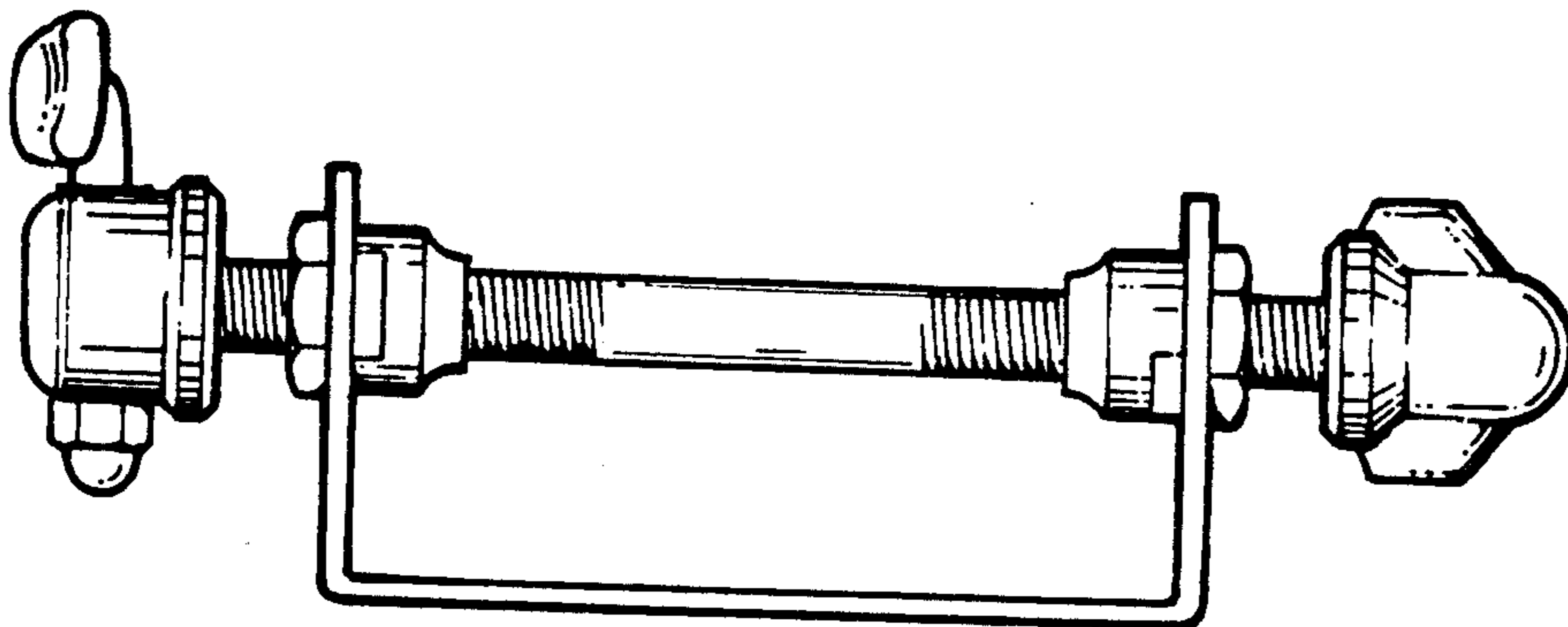
Primary Examiner—James M. Gandy
Assistant Examiner—Melody N. Brown
Attorney, Agent, or Firm—Charles C. Logan, II

[57] CLAIM

The ornamental design for a bicycle mounting bracket, as shown.

DESCRIPTION

FIG. 1 is a top plan view of the bicycle mounting bracket;
FIG. 2 is a bottom plan view thereof;
FIG. 3 is a front elevation view thereof;
FIG. 4 is a right side elevation view thereof;
FIG. 5 is a rear elevation view thereof; and
FIG. 6 is a left side elevation view thereof.



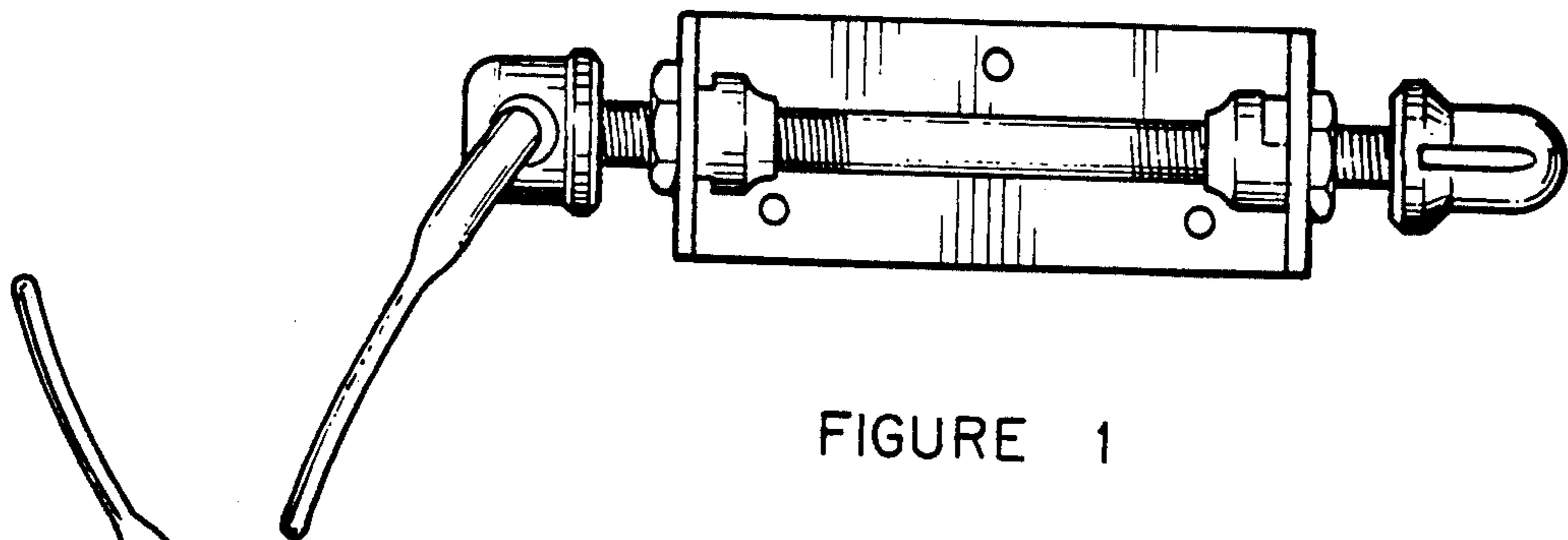


FIGURE 1

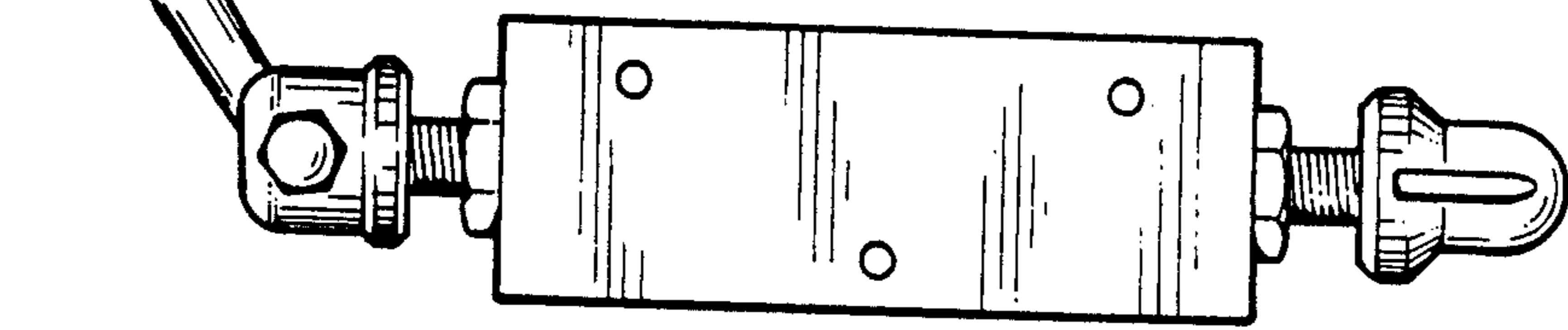


FIGURE 2

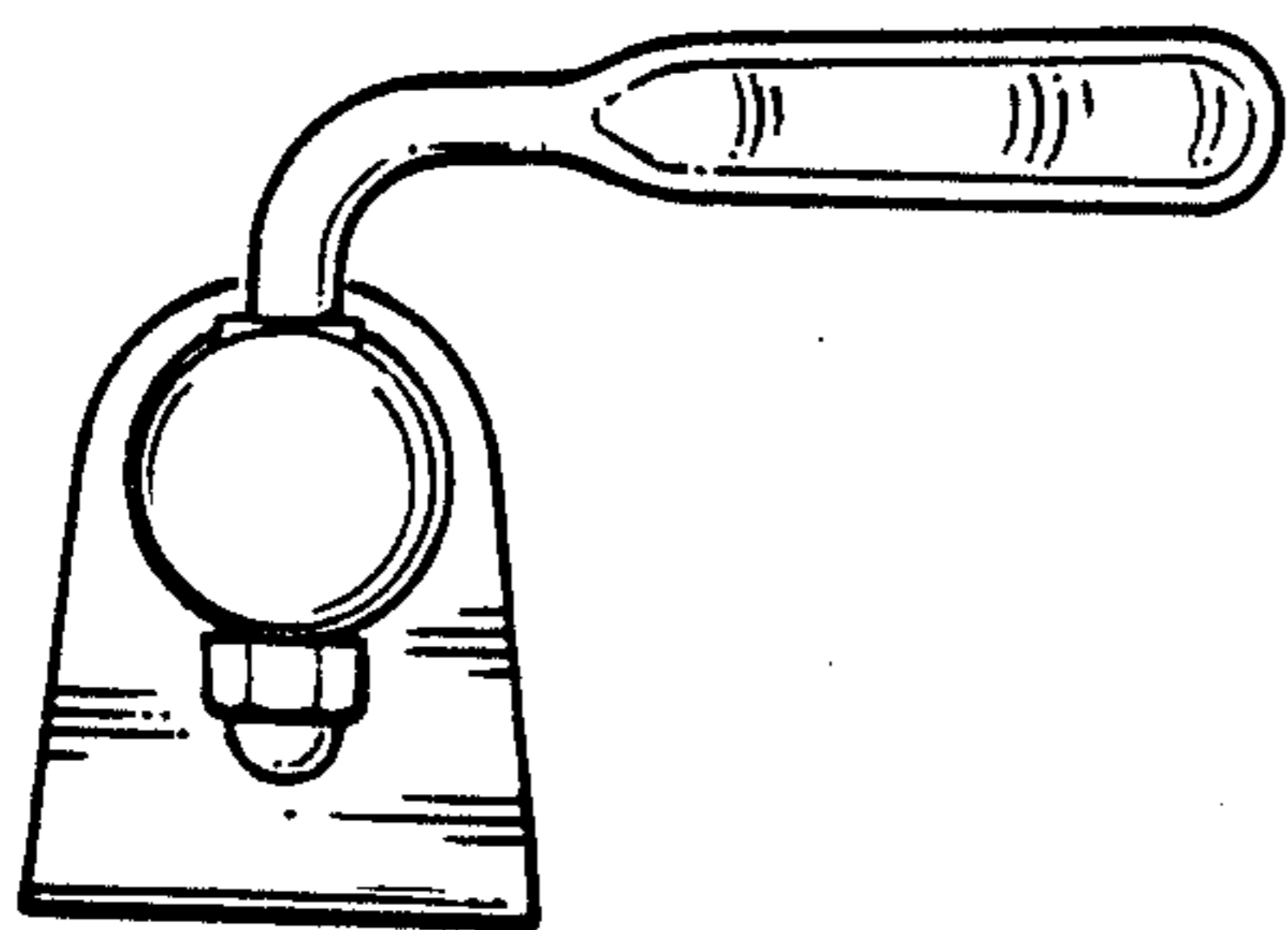


FIGURE 3

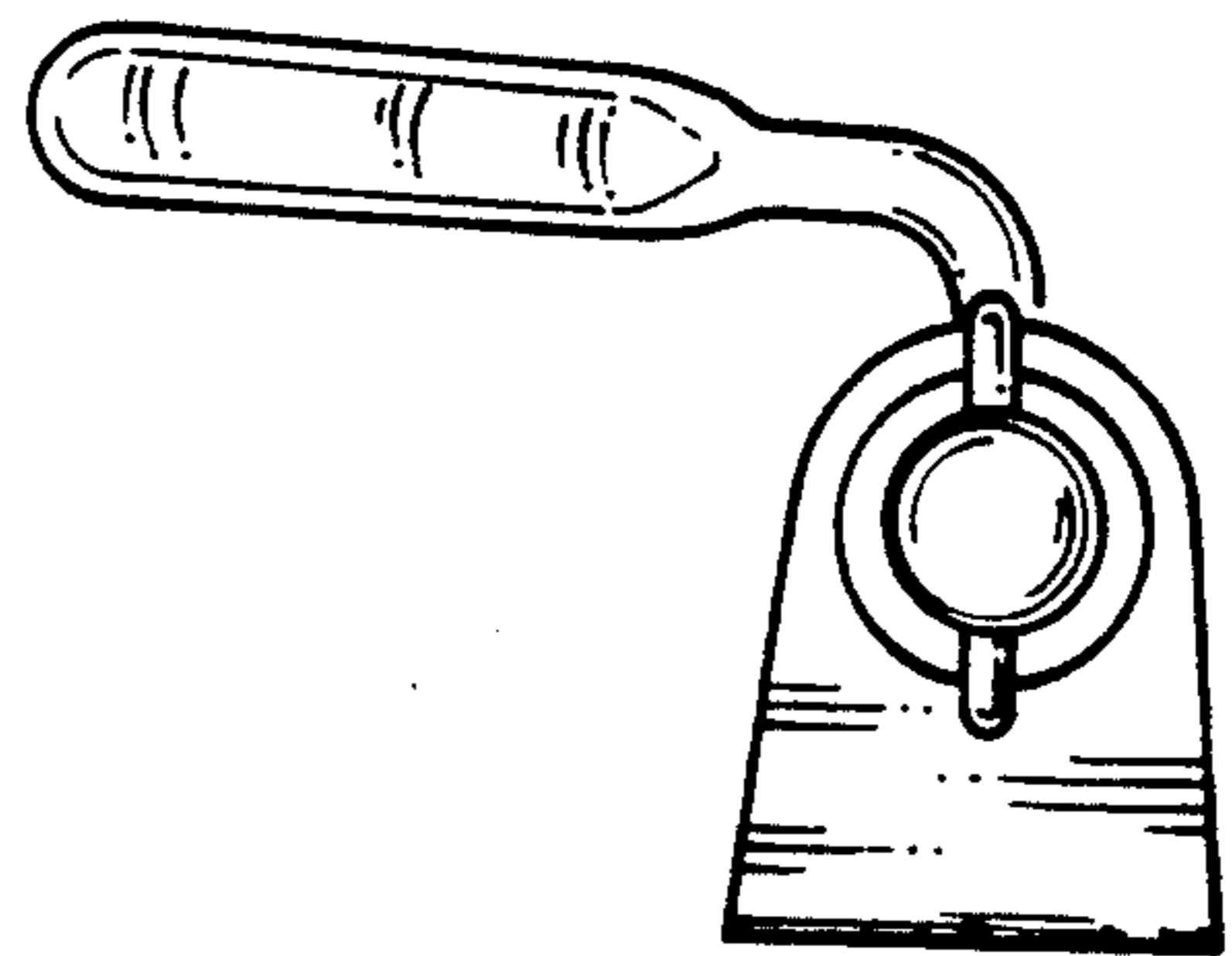


FIGURE 5

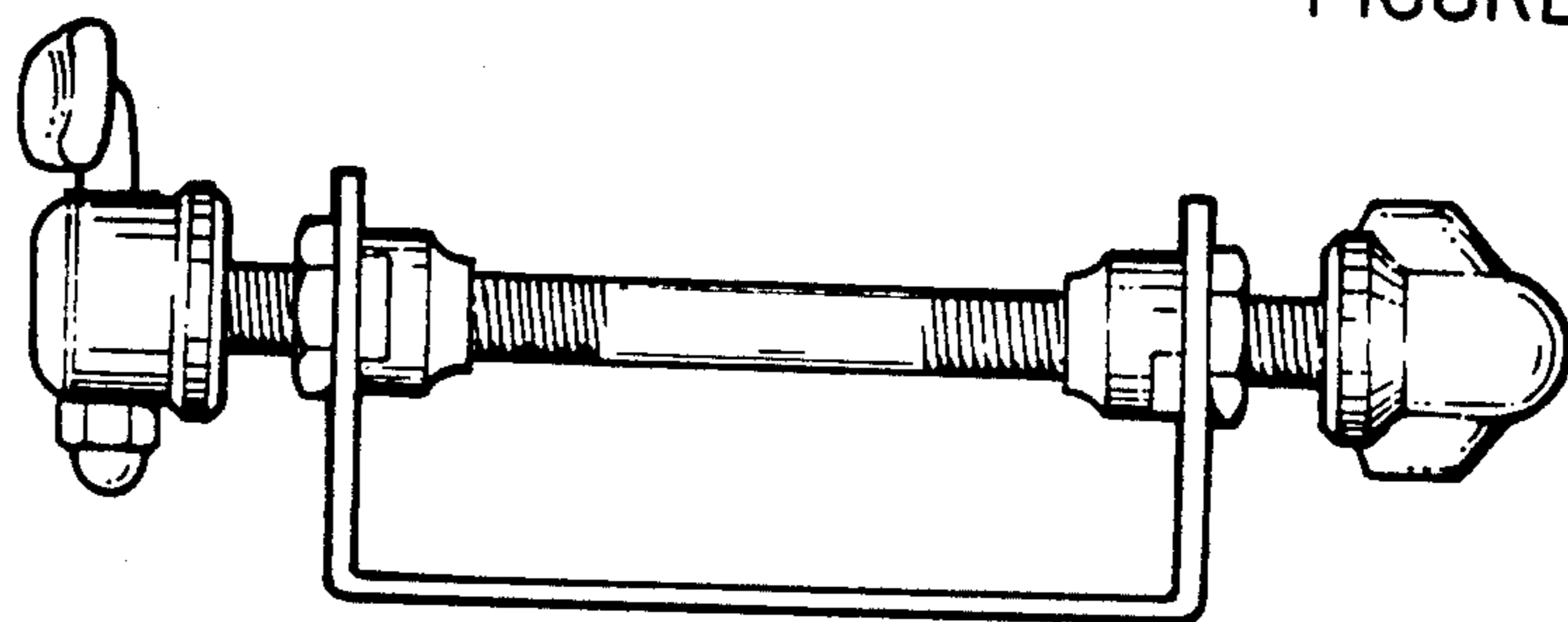


FIGURE 4

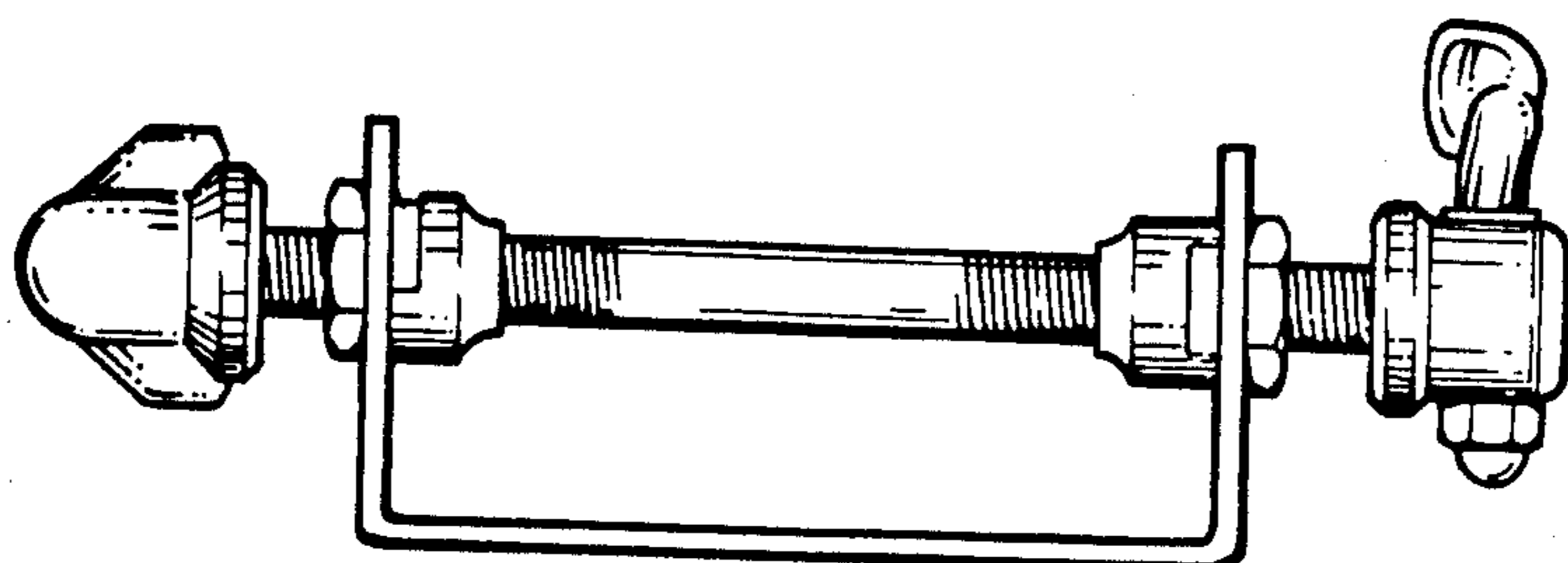


FIGURE 6