

[54] **END OF TRAIN MARKER LIGHT**

[75] **Inventor: Gregory C. Martin, Rockville, Md.**

[73] **Assignee: Pulse Electronics, Inc., Rockville, Md.**

[\*\*] **Term: 14 Years**

[21] **Appl. No.: 242,070**

[22] **Filed: Sep. 9, 1988**

[52] **U.S. Cl. .... D10/114; D26/28**

[58] **Field of Search ..... D26/28-35;  
D10/114; 340/468-476, 815.22; 362/61, 80,  
80.1, 82, 83, 83.2, 83.3**

[56] **References Cited**

**U.S. PATENT DOCUMENTS**

D. 304,694 11/1989 Goss ..... D26/28 X  
4,213,115 7/1980 Wetzel ..... 340/815.22

**FOREIGN PATENT DOCUMENTS**

518633 4/1953 Belgium ..... 340/134

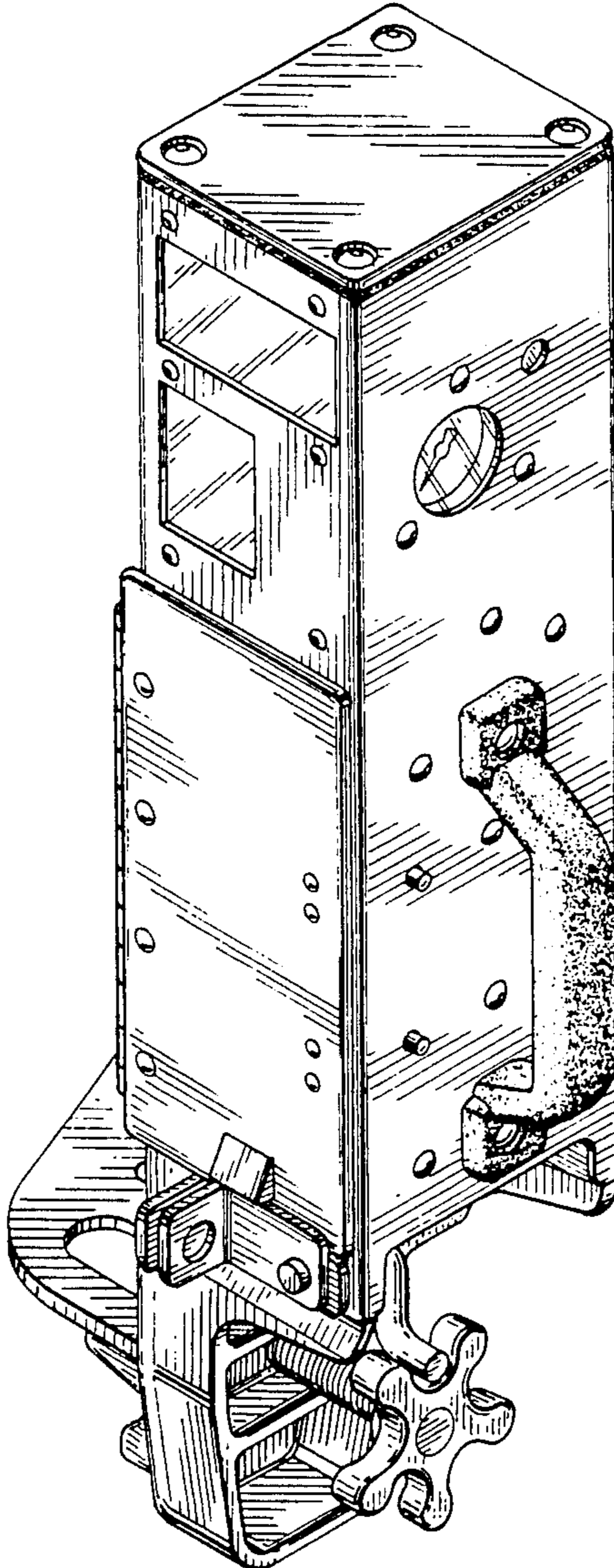
*Primary Examiner*—Susan J. Lucas  
*Attorney, Agent, or Firm*—Whitham & Marhoefer

[57] **CLAIM**

The ornamental design for an end of train marker light, as shown and described.

**DESCRIPTION**

FIG. 1 is a front perspective view of the end of train marker light showing my new design;  
FIG. 2 is a front elevational view thereof;  
FIG. 3 is a left side elevational view thereof;  
FIG. 4 is a right side elevational view thereof;  
FIG. 5 is a top plan view thereof;  
FIG. 6 is a bottom plan view thereof;  
FIG. 7 is a rear elevational view thereof.



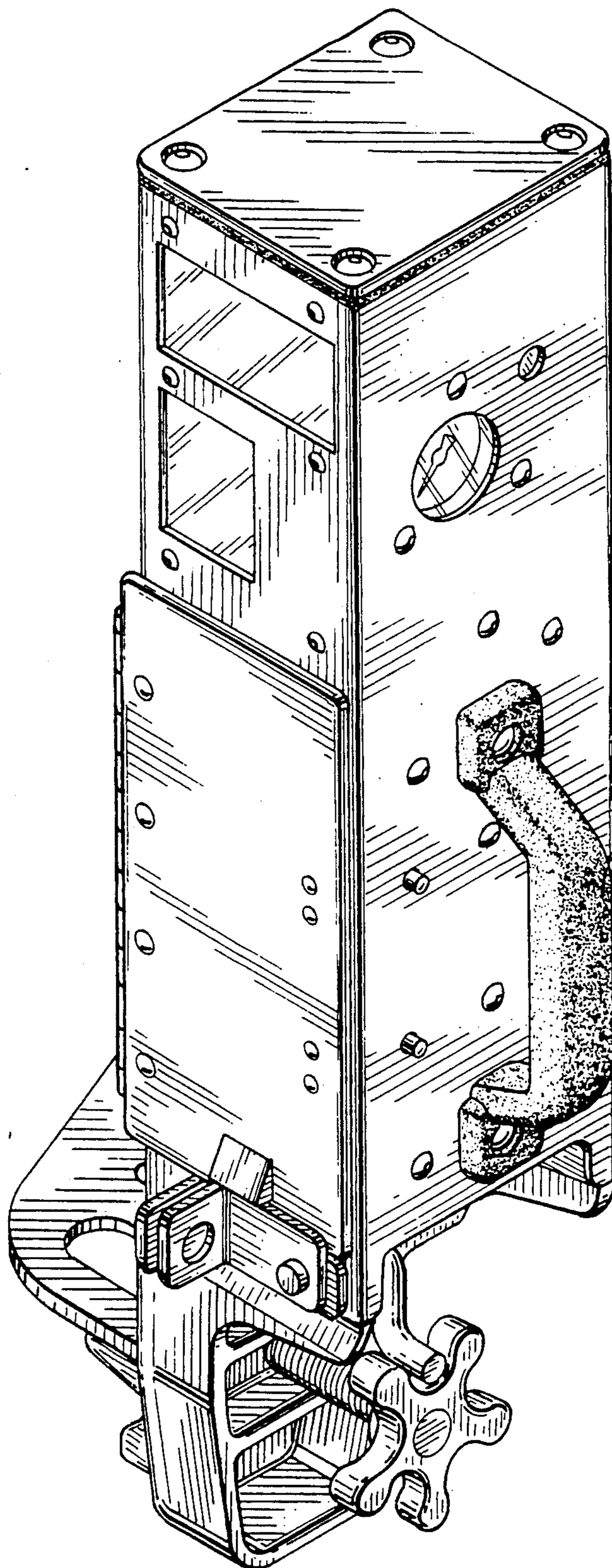


FIG. 1

FIG. 3

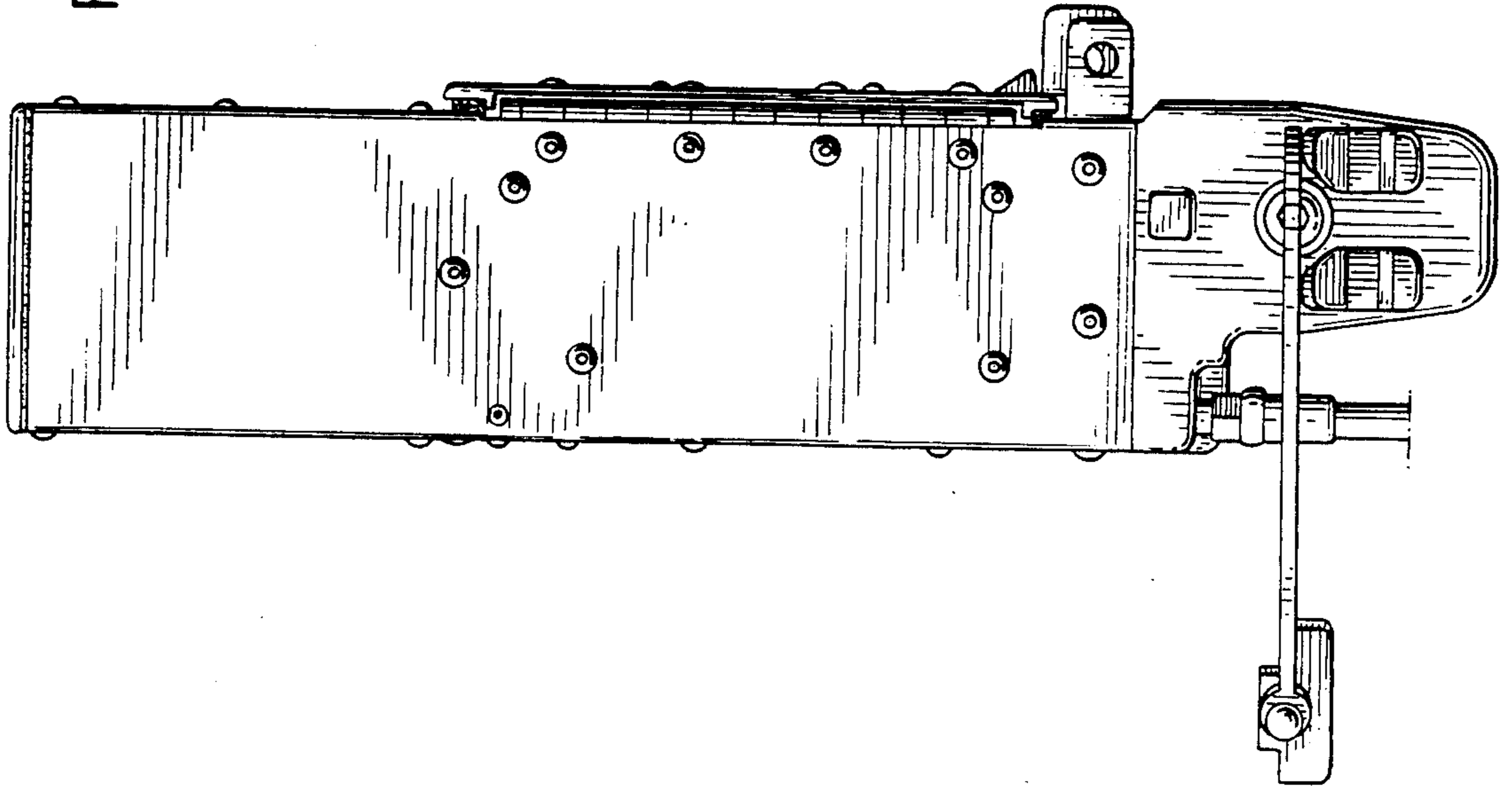
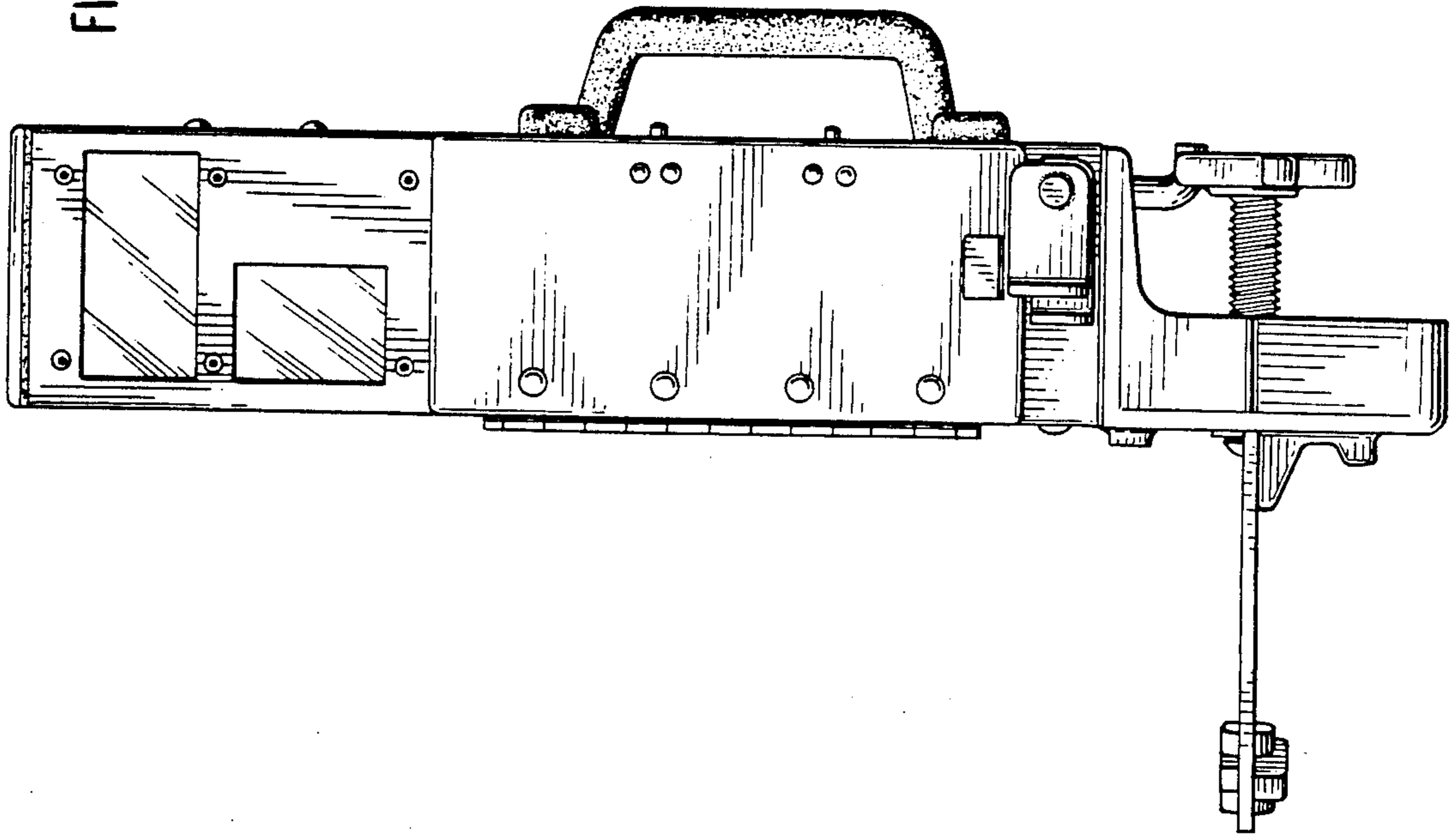
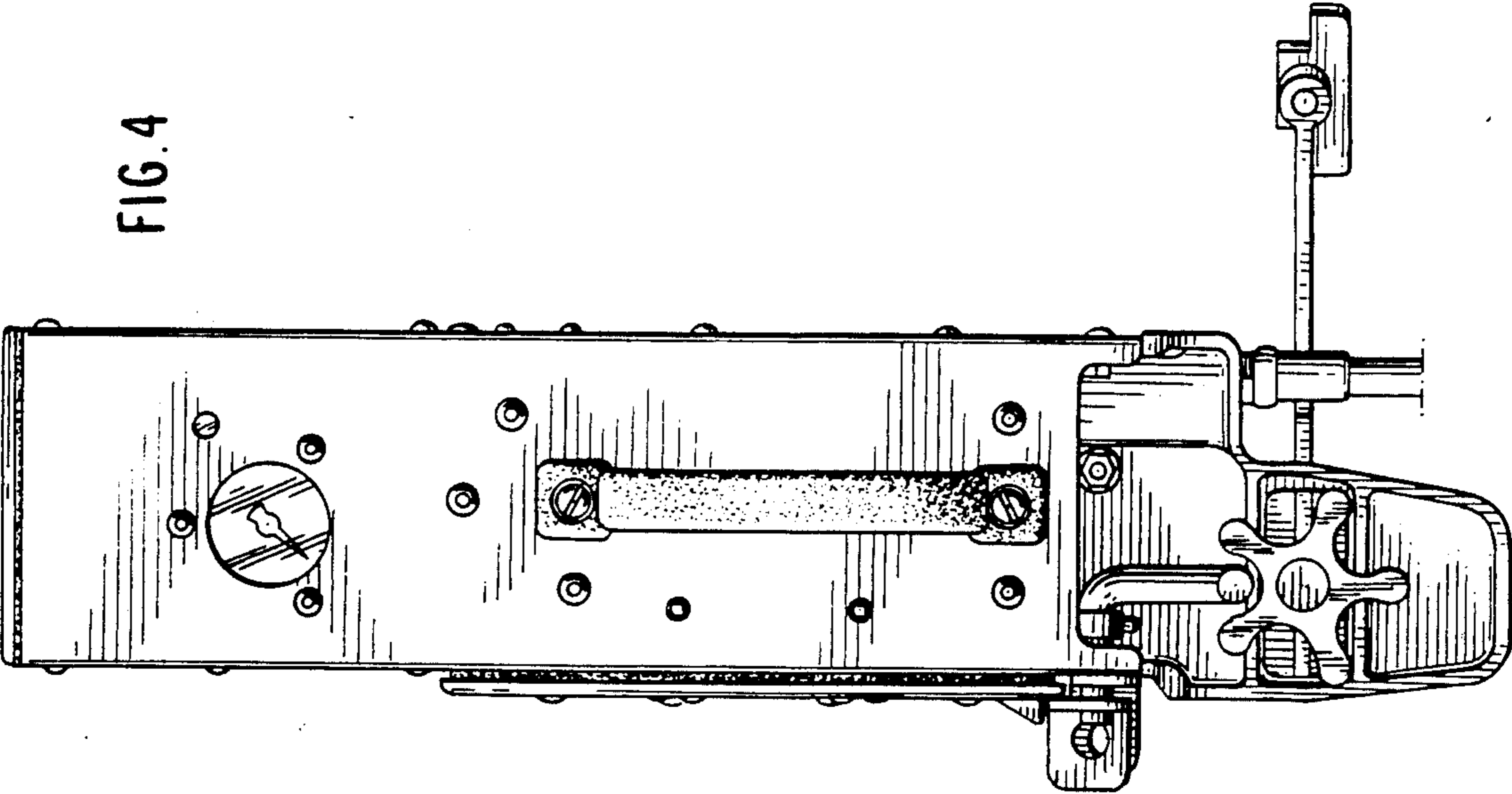
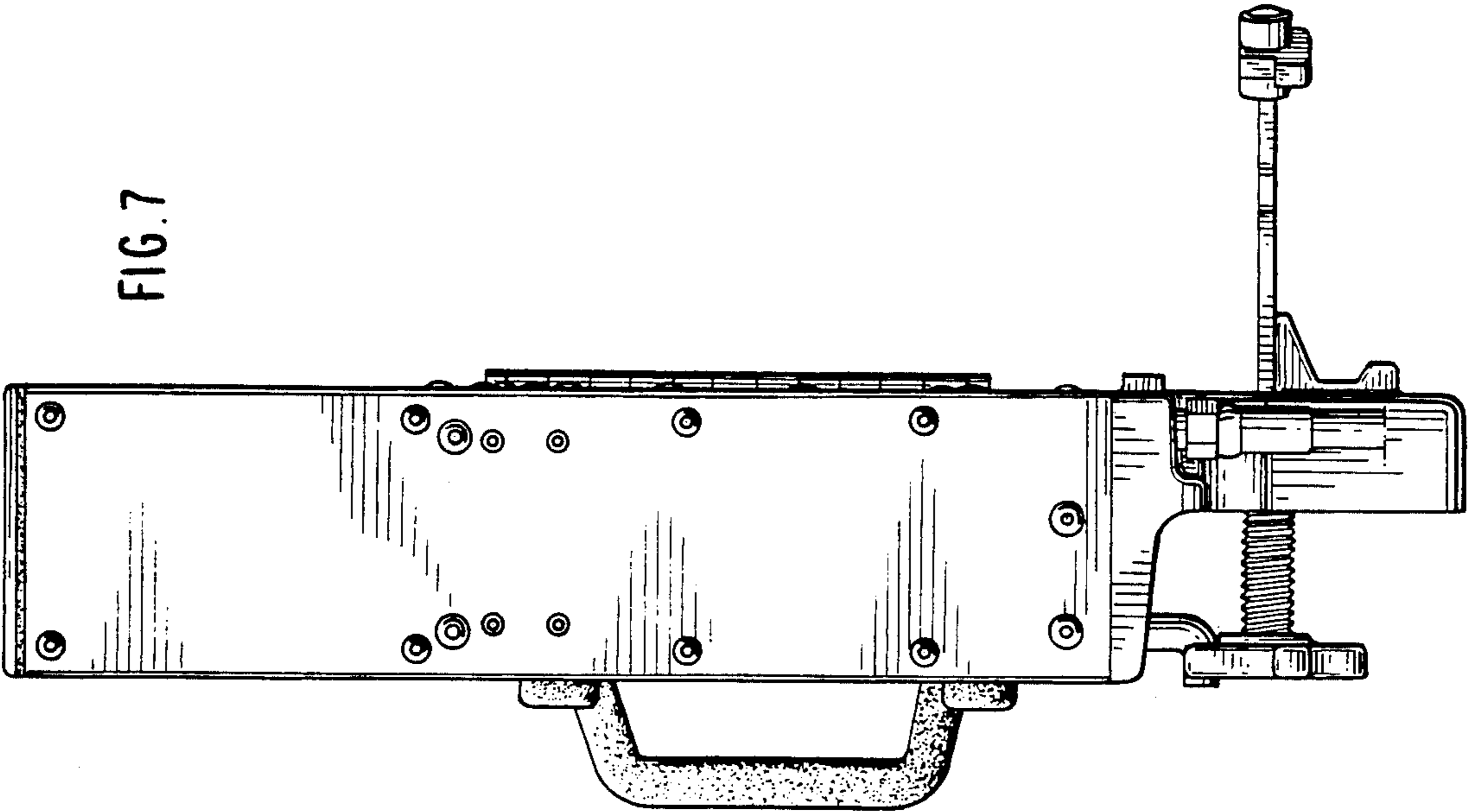


FIG. 2







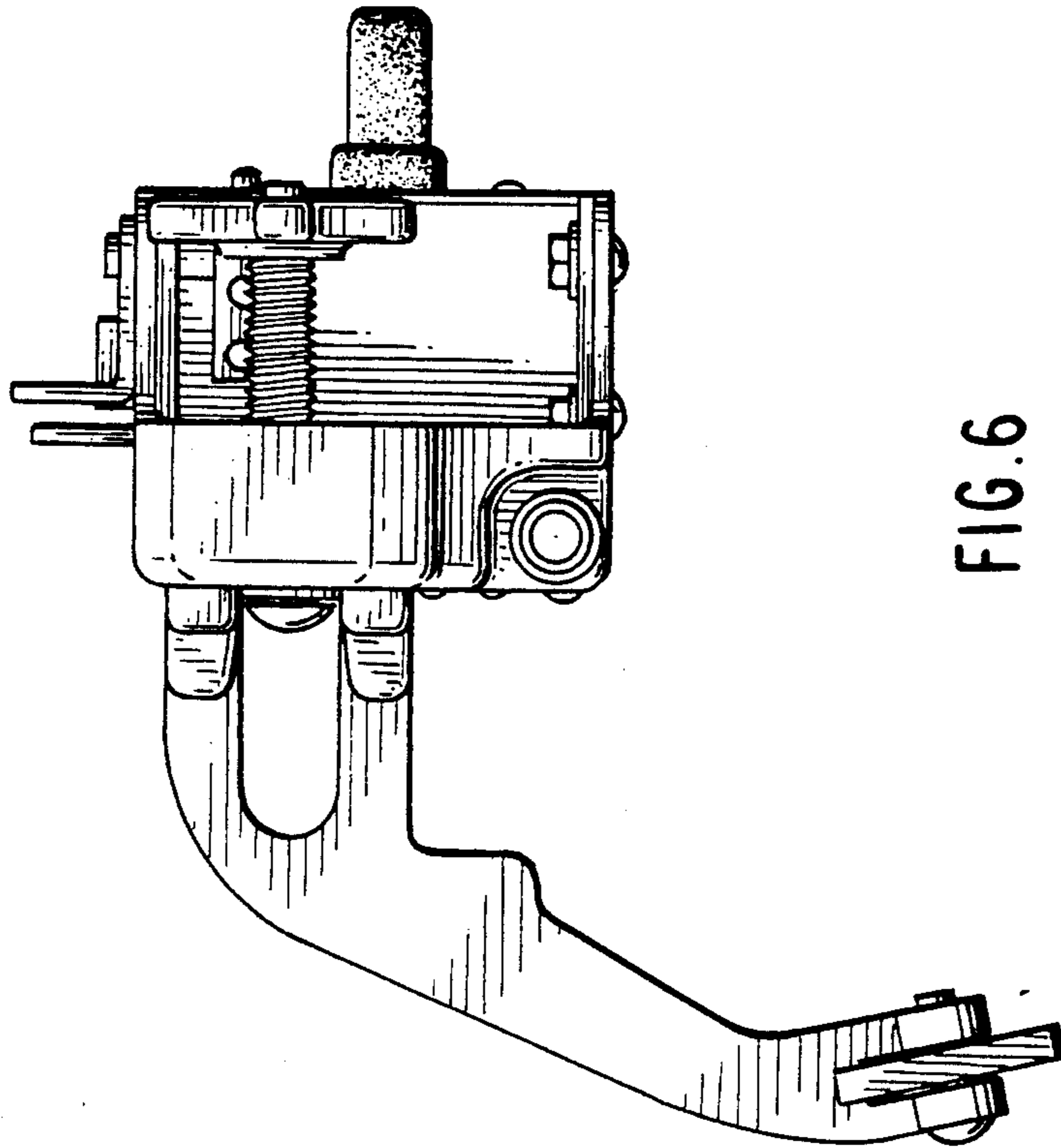


FIG. 6

FIG. 5

