

[54] **BEVERAGE CONTAINER LID**
 [75] **Inventor: Mark H. Bennett, Winfield, Kans.**
 [73] **Assignee: Rubbermaid-Winfield Inc., Winfield, Kans.**
 [**] **Term: 14 Years**
 [21] **Appl. No.: 222,247**
 [22] **Filed: Jul. 21, 1988**
 [52] **U.S. Cl. D9/447**
 [58] **Field of Search D9/435, 447, 454, 446, D9/453; 222/534, 542, 556, 566, 567, 569, 570, 571; 220/85 SP, 90.2-90.6, 96, 254, 288, 291, 254, 335, 338, 339, 375, 379; 215/235-243, 295, 303, 304, 306, 355, 356, 363**

4,106,665 8/1978 Cannon 220/254
 4,124,151 11/1978 Hazard .
 4,261,486 4/1981 Bush et al. .
 4,281,778 8/1981 Stull .
 4,369,901 1/1983 Hidding .
 4,377,247 3/1983 Hazard et al. .
 4,597,508 7/1986 MacLarty .
 4,635,823 1/1987 Stull .

Primary Examiner—B. J. Bullock
Assistant Examiner—Dominic Simone
Attorney, Agent, or Firm—Richard B. O’Planick

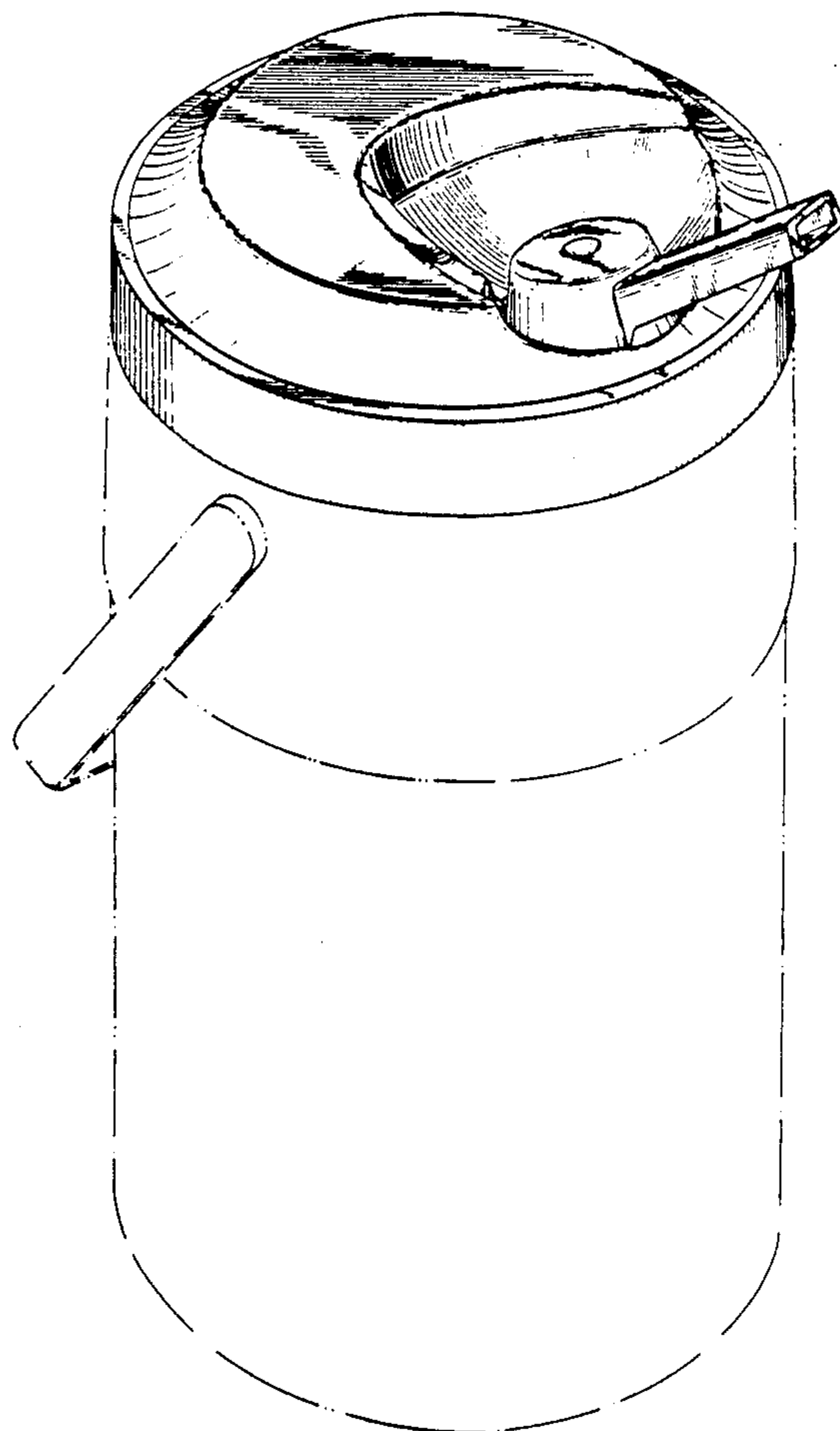
[57] **CLAIM**

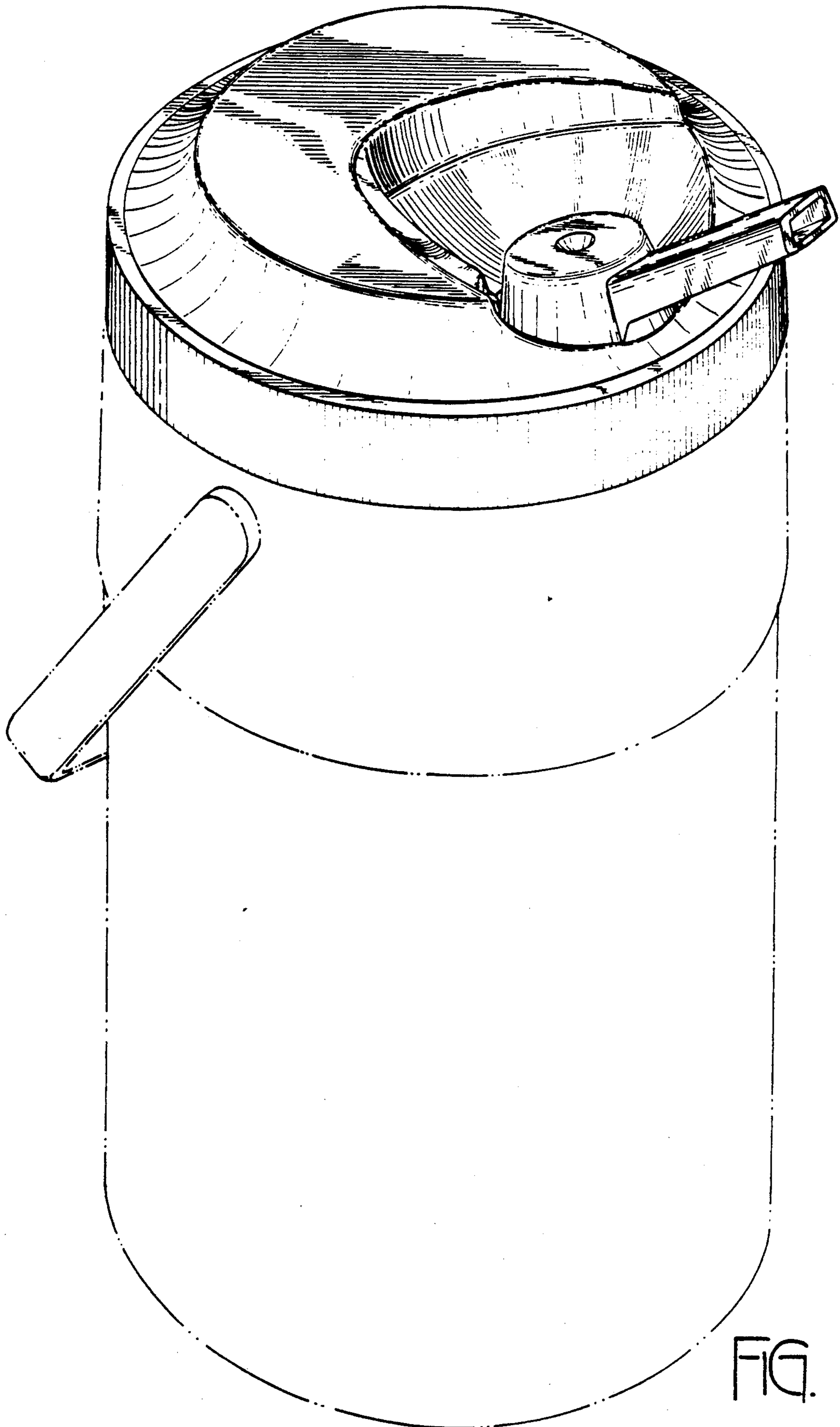
The ornamental design for a beverage container lid, as shown and described.

DESCRIPTION

FIG. 1 is a front perspective view of a beverage container lid showing my new design, the container shown in broken lines for illustrative purposes only;
 FIG. 2 is a front perspective view thereof, the spout in the closed position;
 FIG. 3 is a rear perspective view thereof;
 FIG. 4 is a top plan view thereof;
 FIG. 5 is a front elevational view thereof;
 FIG. 6 is a bottom plan view thereof;
 FIG. 7 is a rear elevational view thereof, the spout in the closed position;
 FIG. 8 is a cross-sectional view thereof.

[56] **References Cited**
U.S. PATENT DOCUMENTS
 D. 200,120 1/1965 Schaefer D9/446
 D. 288,667 3/1987 Miner D9/453
 D. 308,169 5/1990 Auman D9/446
 2,764,199 9/1956 Tupper 220/254
 2,764,200 9/1956 Gits 220/254
 2,986,309 5/1961 Larson .
 3,131,870 5/1964 Henchert .
 3,297,208 1/1967 Sivett D9/446
 3,323,671 6/1967 Minorik .
 3,419,198 12/1968 Pettersen .





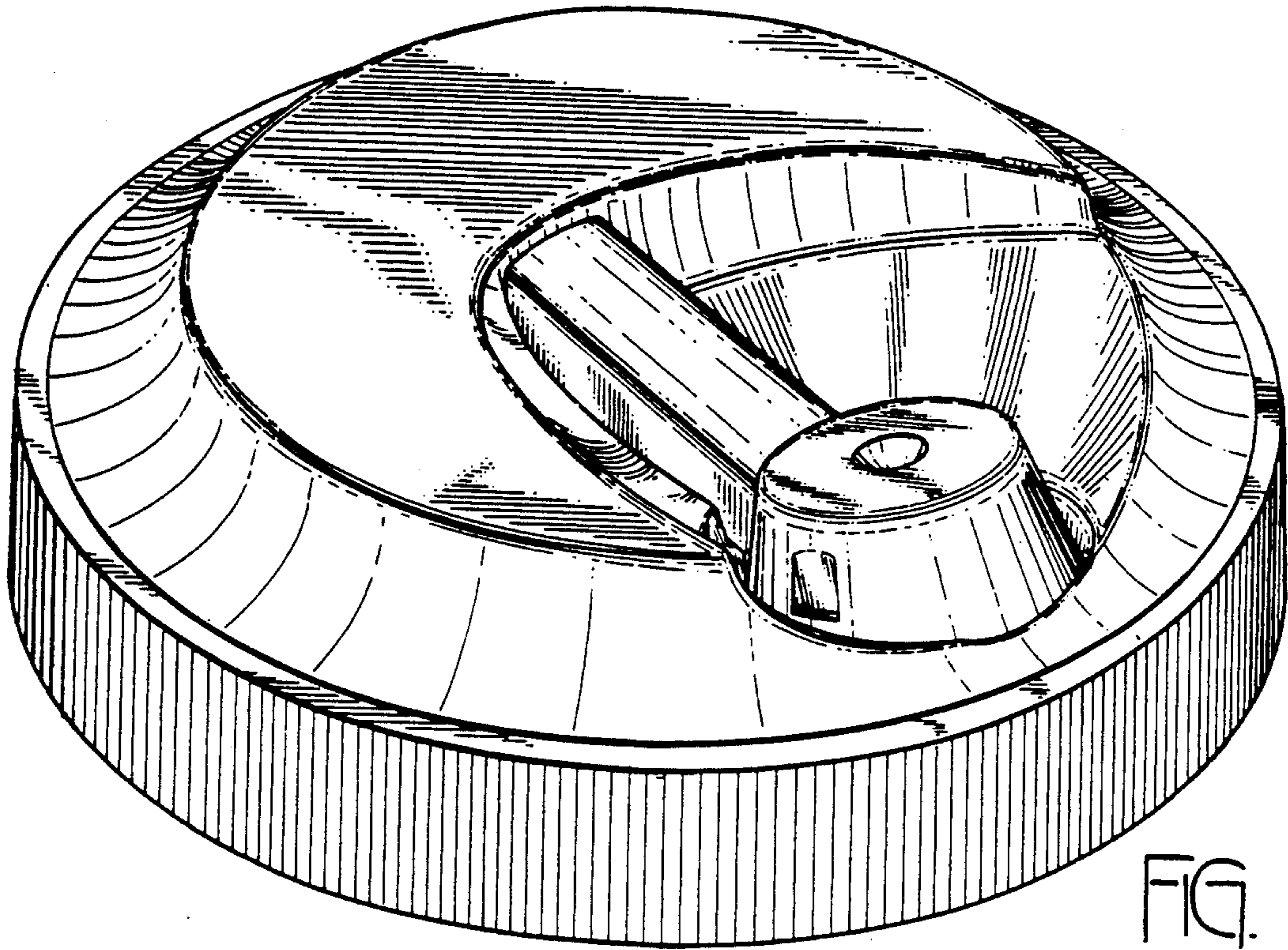


FIG. 2

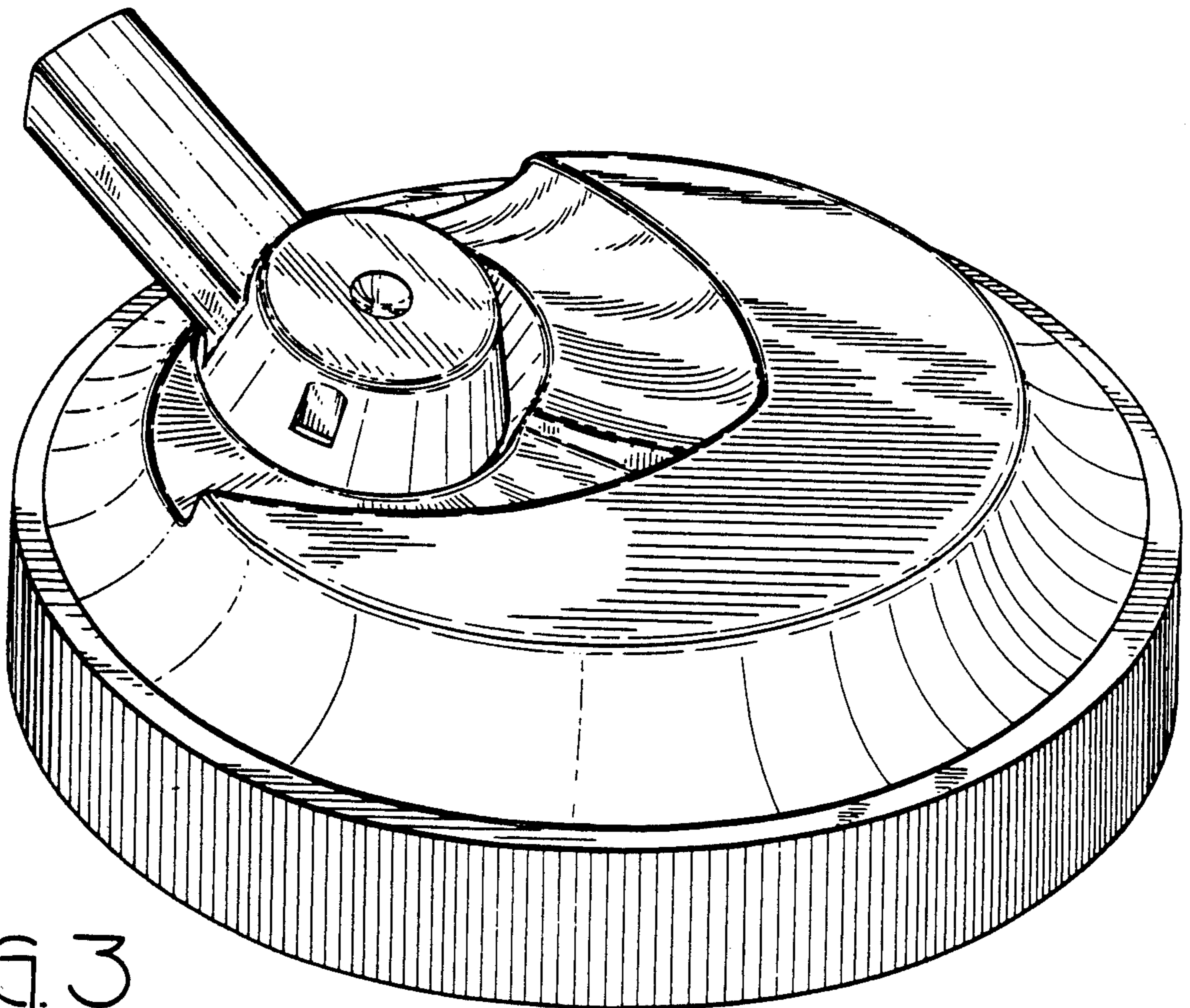


FIG. 3

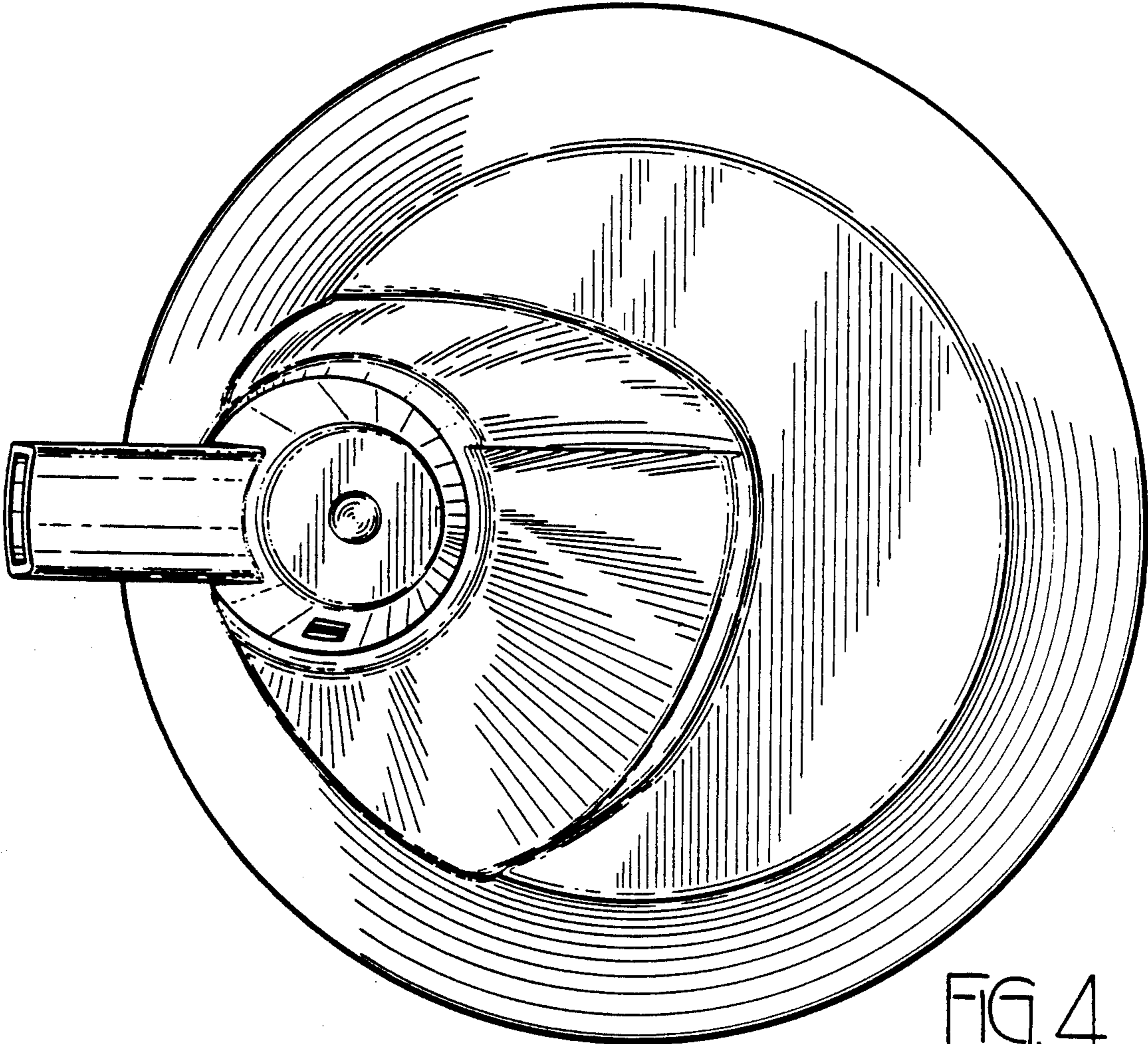


FIG. 4

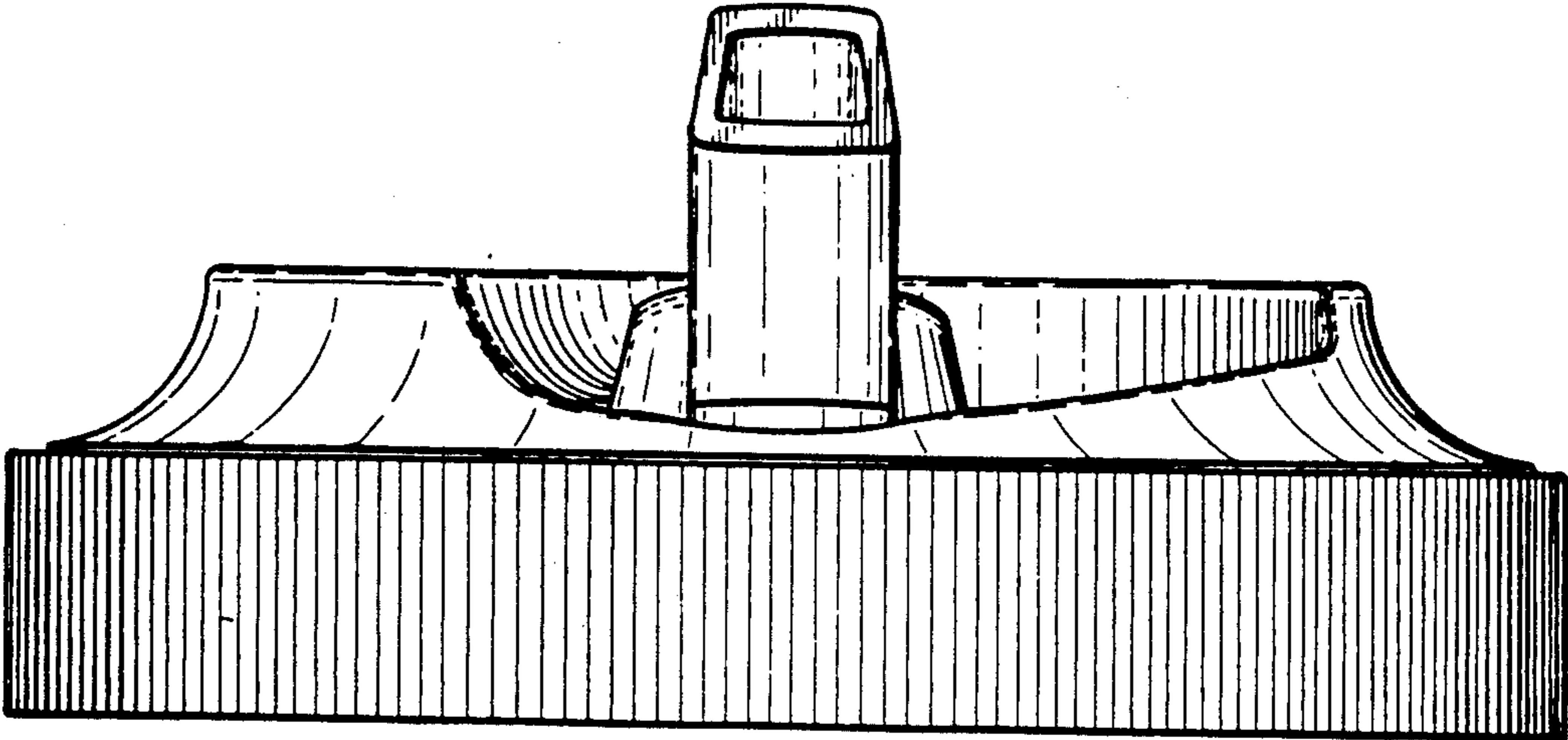


FIG. 5

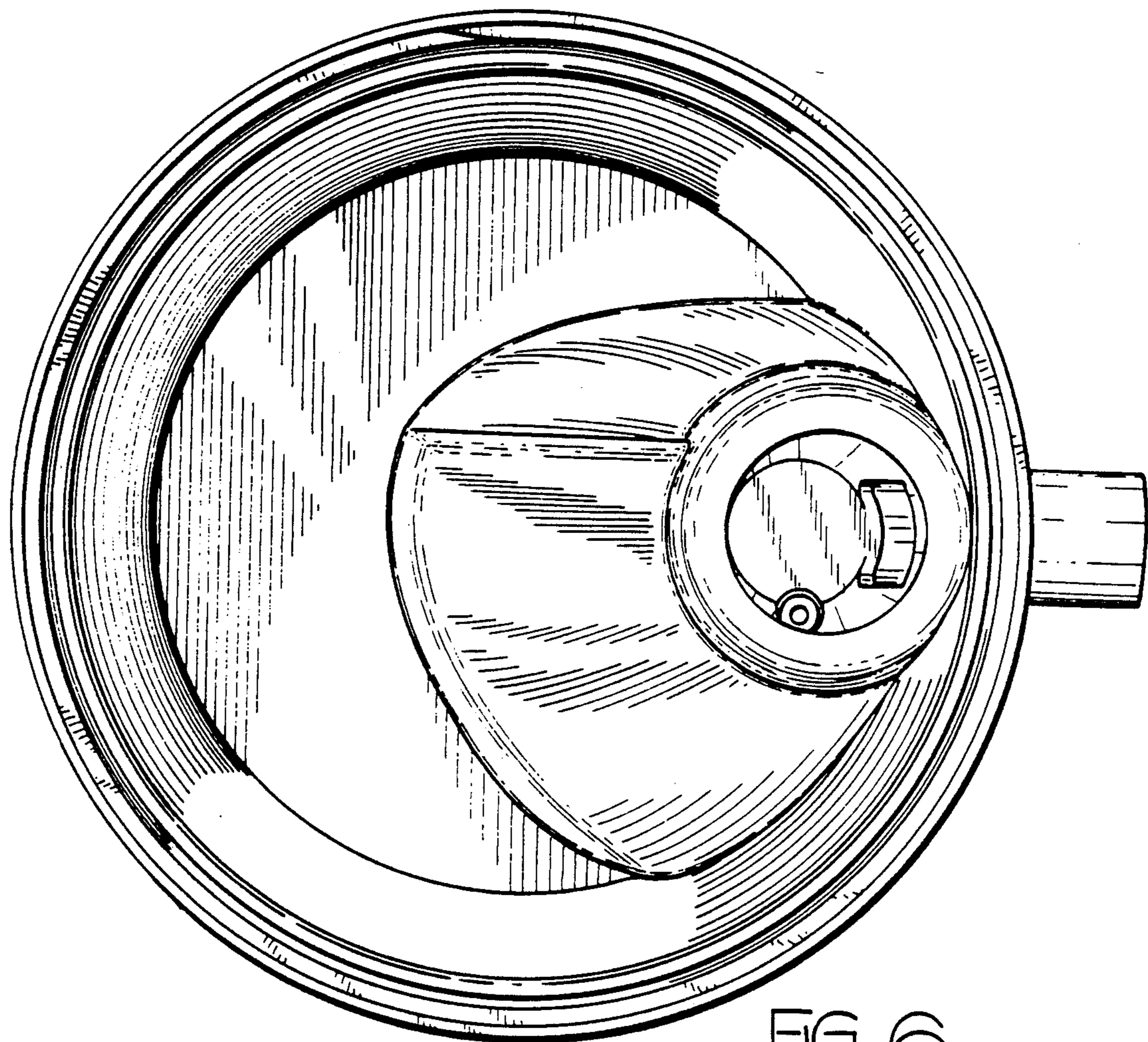


FIG. 6

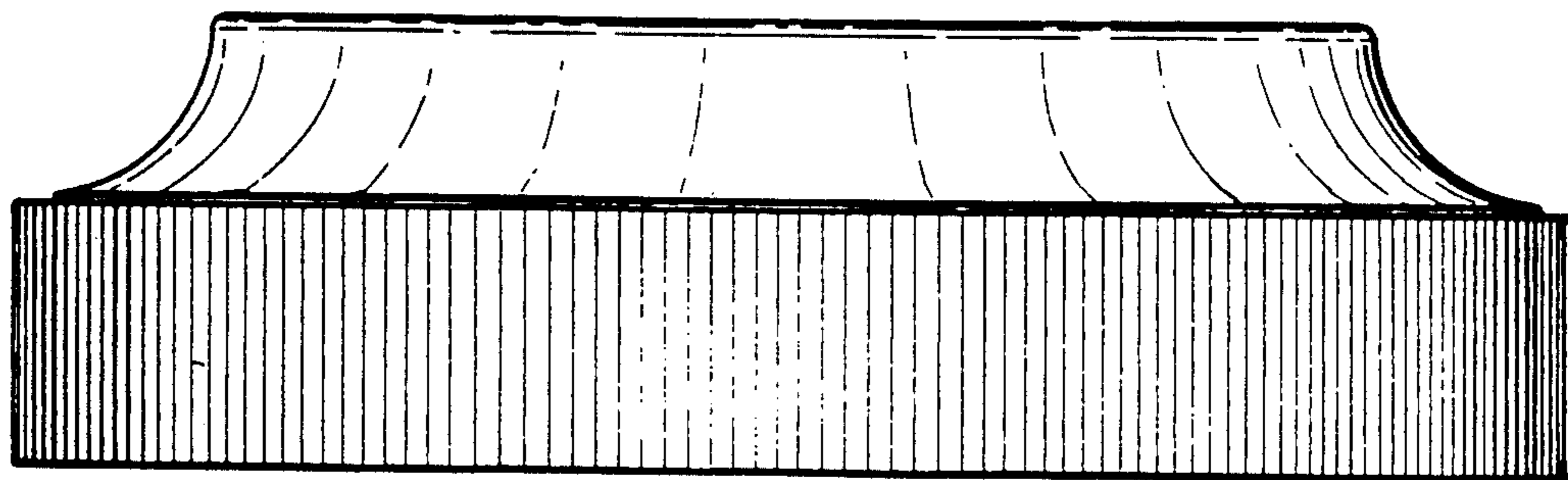


FIG. 7

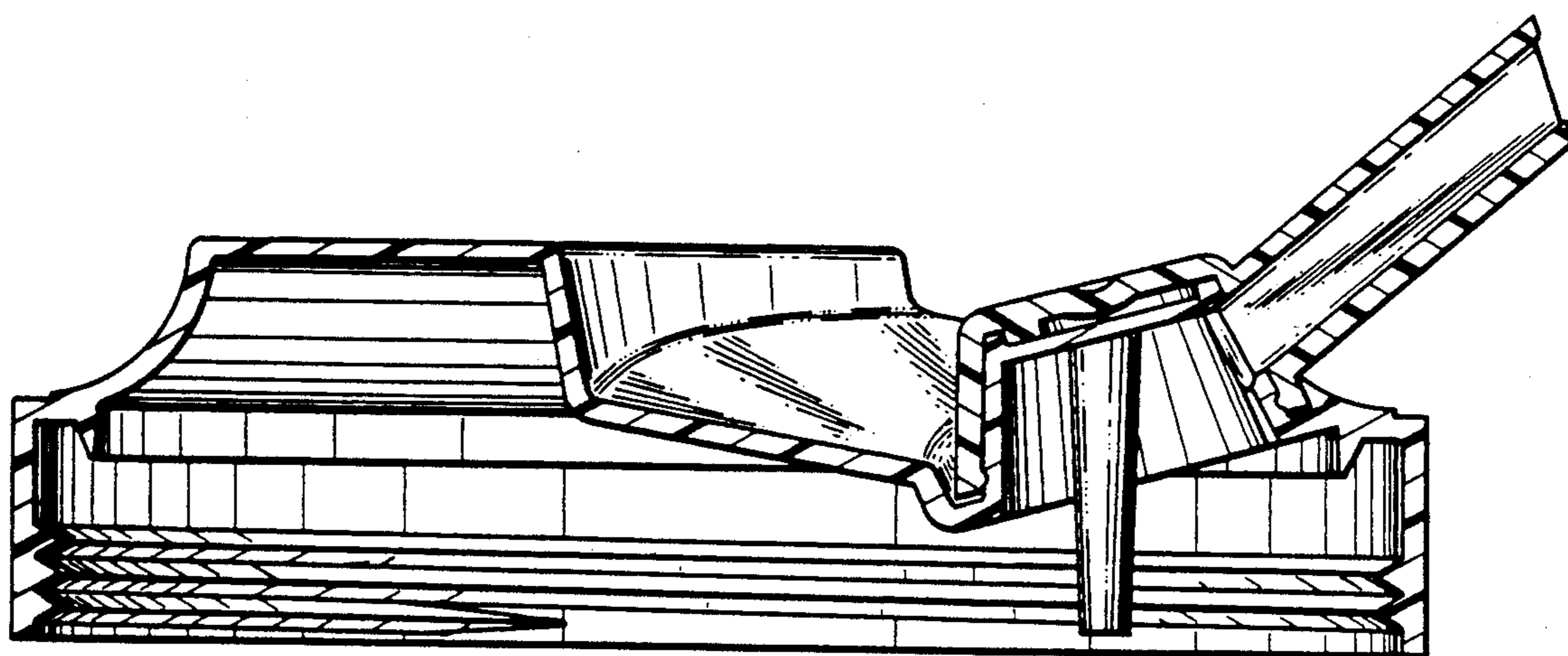


FIG. 8