

[54] **MOUNTING BRACKET**

[76] **Inventor: John A. Blatt, 22 Stratton Pl., Grosse Pointe Shores, Mich. 48236**

[\*\*] **Term: 14 Years**

[21] **Appl. No.: 271,083**

[22] **Filed: Nov. 14, 1988**

[52] **U.S. Cl. .... D8/396**

[58] **Field of Search ..... D8/382, 396; 24/329, 24/335; 248/225.31, 229, 230, 231.6; 414/737; 403/385, 389, 391**

3,161,721	12/1964	Torr	.....	248/74.1
3,349,927	10/1967	Blatt	.	
3,568,959	3/1971	Blatt	.	
3,613,904	10/1971	Blatt	.	
3,677,584	7/1972	Short	.	
3,712,415	1/1973	Blatt et al.	.	
3,963,855	6/1976	Hawkins et al.	.....	24/239
4,275,872	6/1981	Mullis	.	
4,355,922	10/1982	Sato	.....	403/385
4,443,128	4/1984	Yamamoto et al.	.....	403/385
4,453,755	6/1984	Blatt et al.	.	
4,479,661	10/1984	Weigl	.....	403/389
4,480,497	11/1984	Locher	.....	74/531
4,495,834	1/1985	Bauer et al.	.....	74/493
4,708,297	11/1987	Boers	.....	242/7.05 B

[56] **References Cited**

**U.S. PATENT DOCUMENTS**

229,670	7/1880	Carrick	.	
1,056,576	3/1913	Olson	.....	248/229
1,468,110	9/1923	Howe	.	
1,929,361	10/1933	Liljebladh	.	
2,212,156	8/1940	Erdley	.....	24/81
2,295,051	9/1942	Roth	.	
2,452,406	10/1948	Volkery et al.	.....	24/81
2,469,542	5/1949	Becker	.....	24/81
2,565,793	8/1951	Weismantel	.....	248/362
2,651,026	9/1953	Roth	.	
2,686,029	8/1954	Raymond	.....	248/229
2,769,895	11/1956	Boord	.....	248/231.6
2,791,623	5/1957	Lock et al.	.	
2,858,522	10/1958	Wengen et al.	.....	339/264
2,866,657	12/1958	Duffy	.....	403/385
3,146,982	9/1964	Budnick	.....	248/68

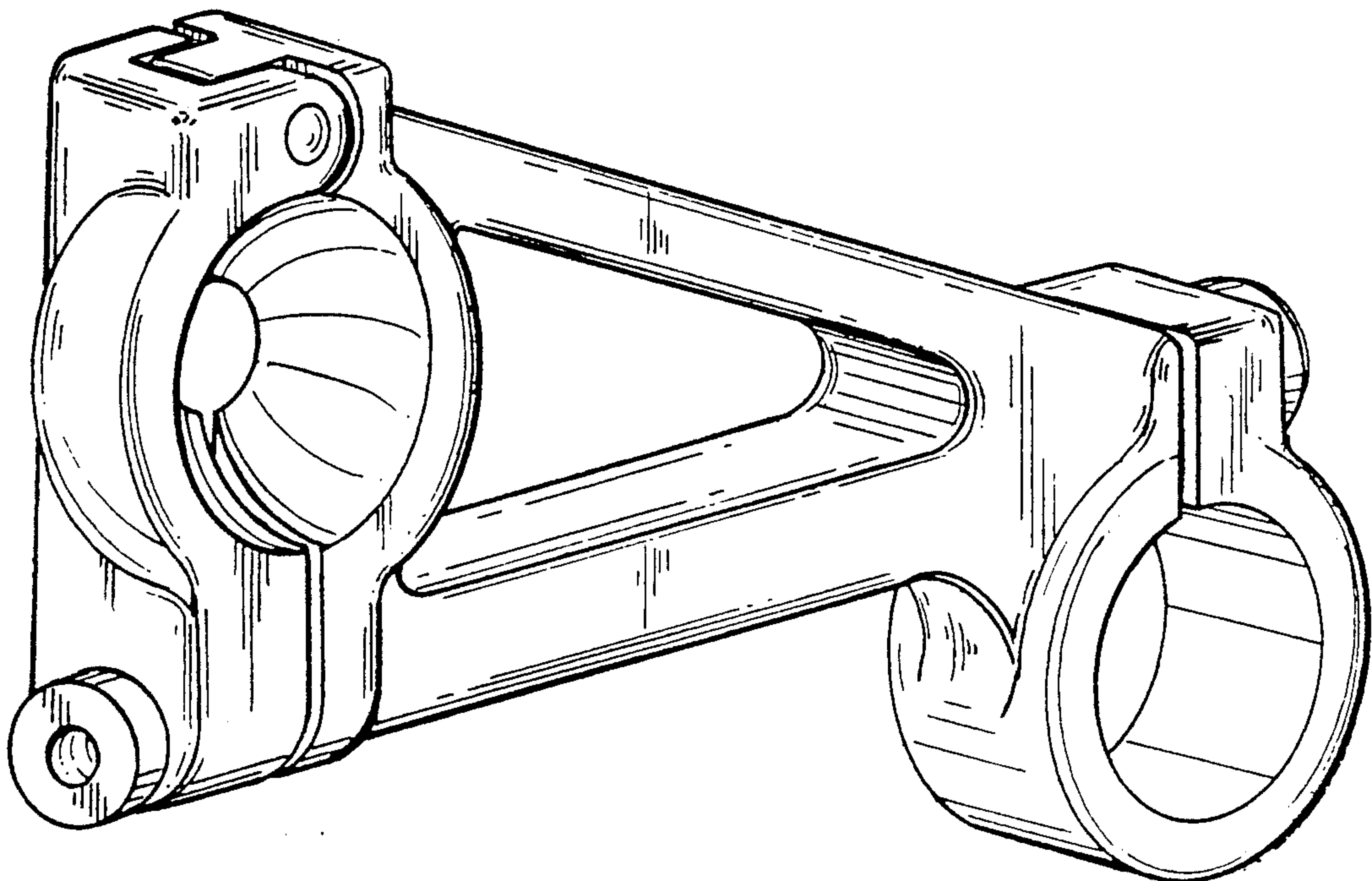
*Primary Examiner*—B. J. Bullock  
*Attorney, Agent, or Firm*—Basile and Hanlon

[57] **CLAIM**

The ornamental design for a mounting bracket, as shown.

**DESCRIPTION**

FIG. 1 is a side elevational view of a mounting bracket showing my new design;  
 FIG. 2 is a side elevational view of the side opposite that shown in FIG. 1;  
 FIG. 3 is a top plan view thereof;  
 FIG. 4 is a bottom plan view thereof;  
 FIG. 5 is a right-end elevational view thereof;  
 FIG. 6 is a left-end elevational view thereof; and  
 FIG. 7 is a perspective view thereof.



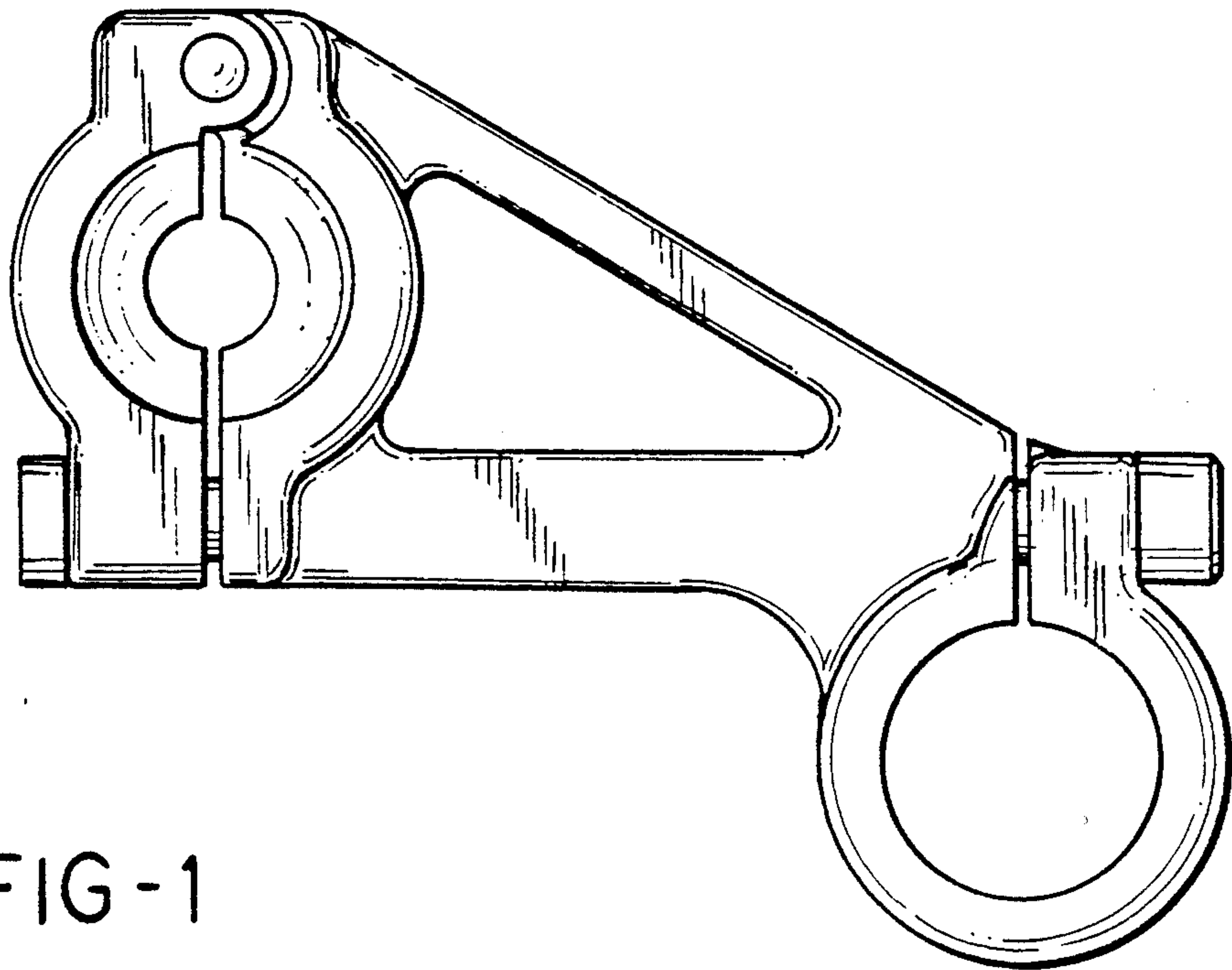


FIG-1

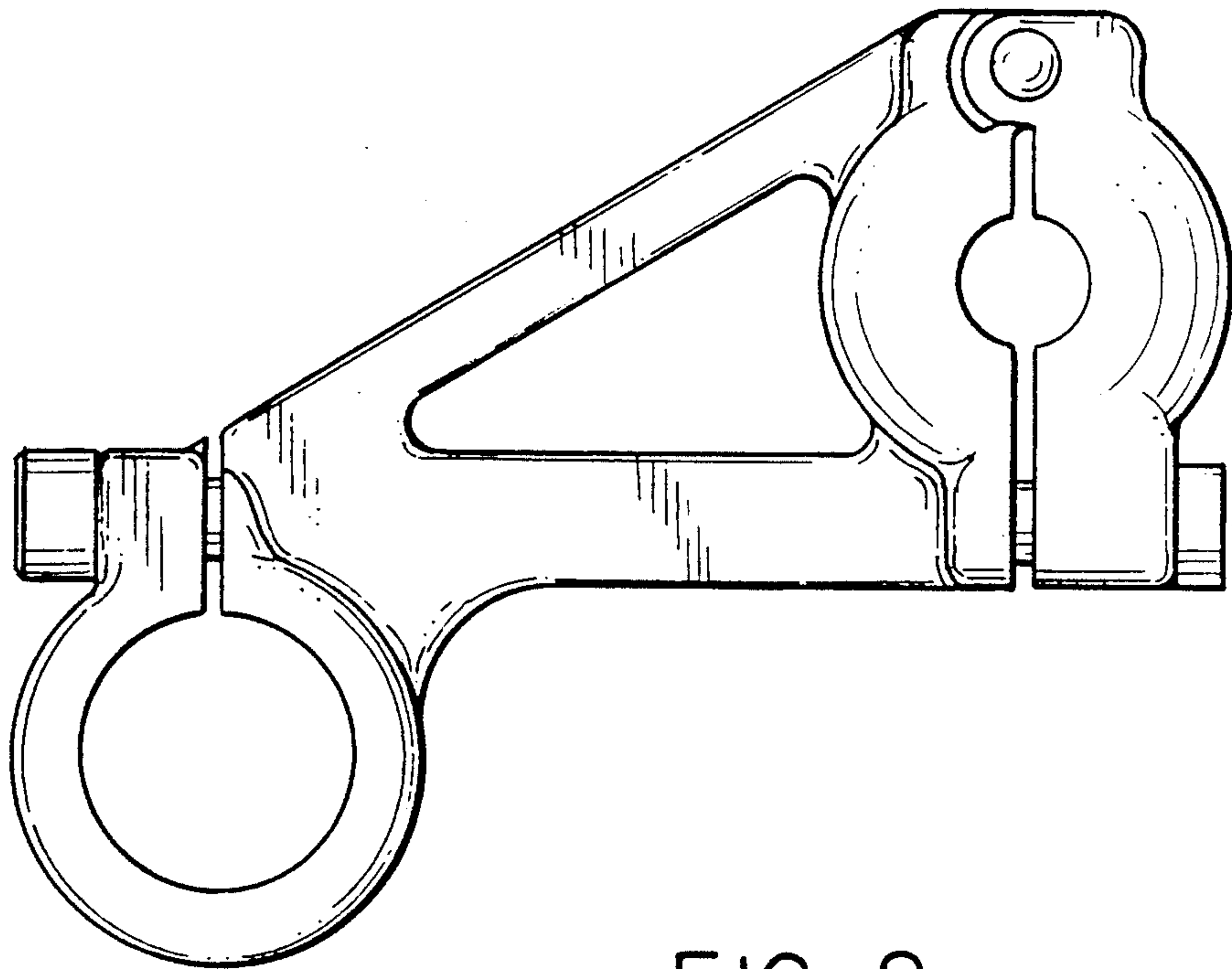


FIG-2

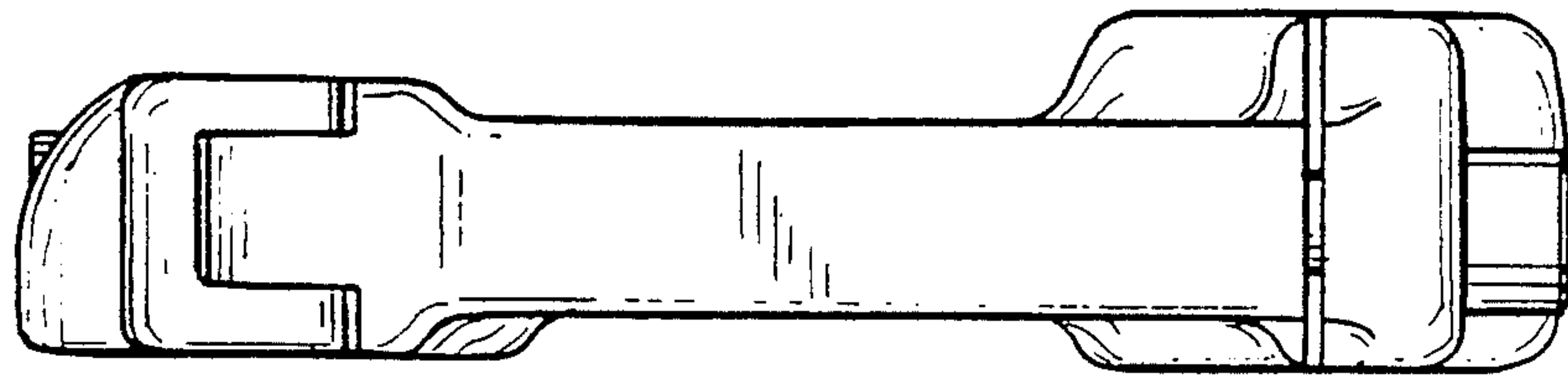


FIG-3

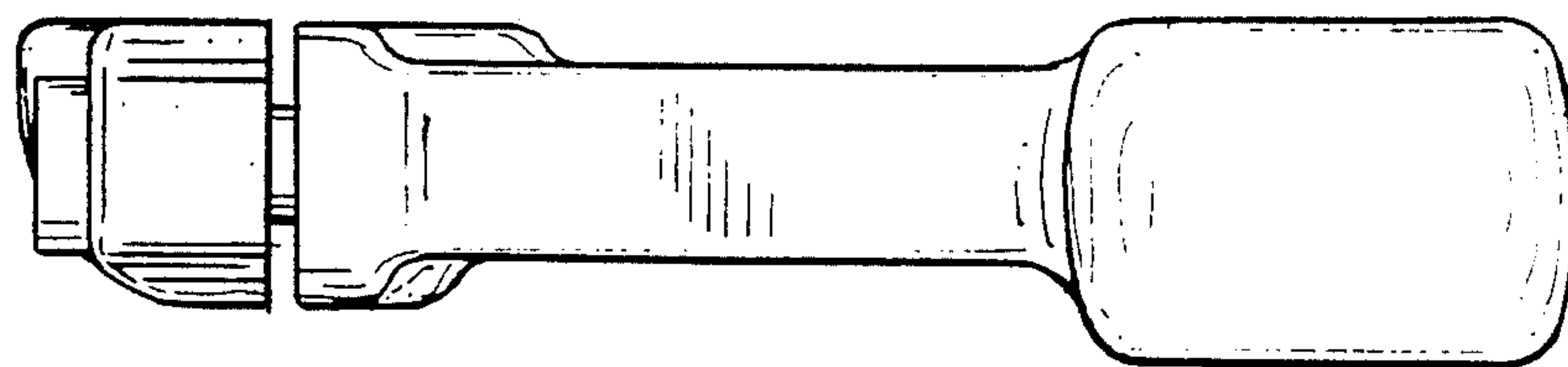


FIG-4

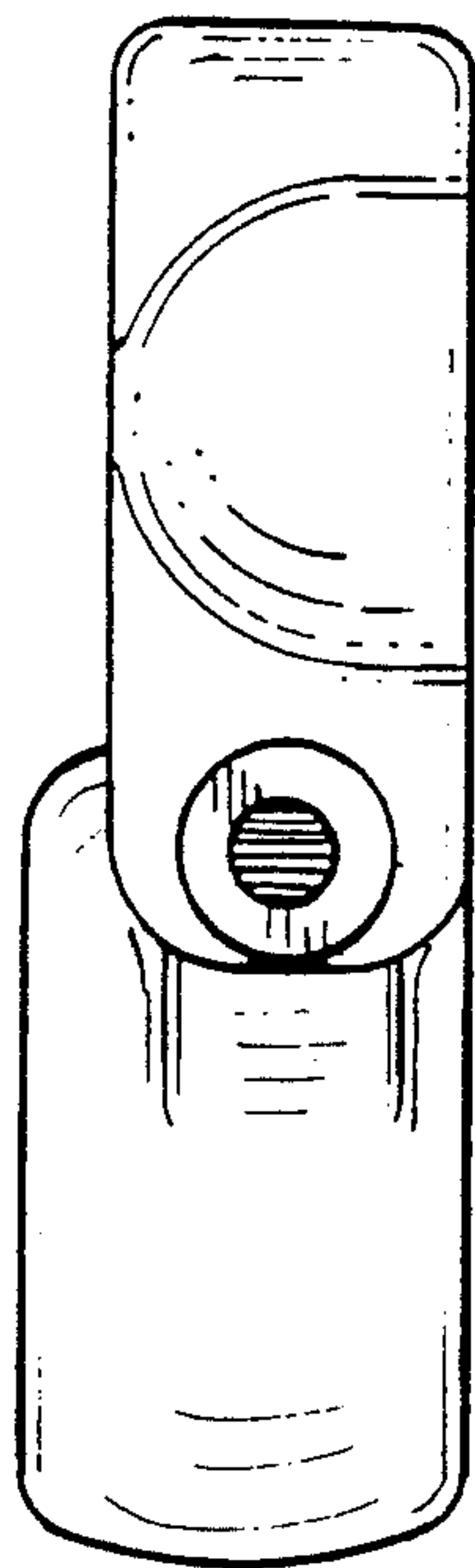


FIG-6

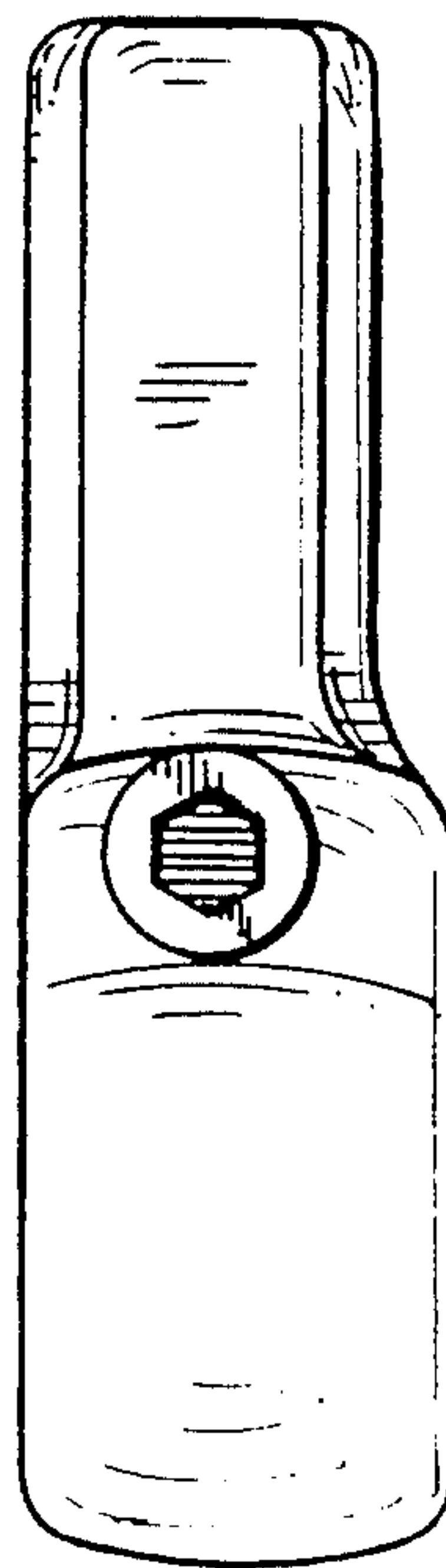


FIG-5

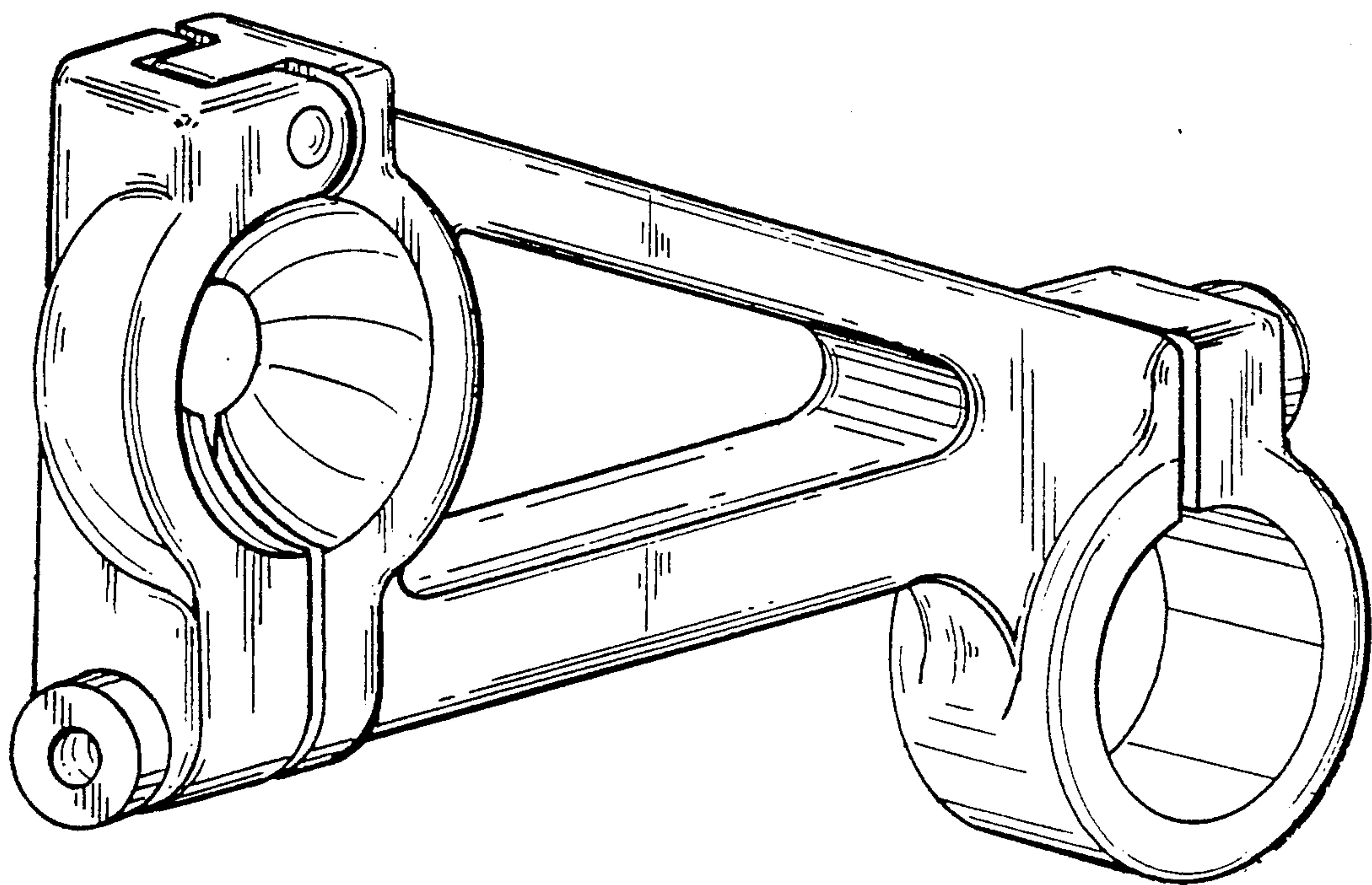


FIG-7