

[54] **ADJUSTABLE HANGER FOR SKINNING ANIMALS BY TAXIDERMISTS AND THE LIKE**

[76] **Inventor: Ronald V. Brown, East Hwy. 159, R.R. 1, Box 30, Falls City, Nebr. 68355**

[**] **Term: 14 Years**

[21] **Appl. No.: 354,684**

[22] **Filed: May 22, 1989**

[52] **U.S. Cl. D8/373; D8/349; D8/367**

[58] **Field of Search D8/370, 369; 17/21, 17/44.2, 50; D34/33; D30/199; 40/160; 434/295, 296**

[56] **References Cited**

U.S. PATENT DOCUMENTS

D. 166,583	4/1952	Zebarth	D8/370
D. 246,827	1/1978	Crawford	D8/370
258,821	5/1882	Storck	40/160
D. 288,660	3/1987	Hudson	D8/367
940,597	11/1909	Hoff	17/44
1,054,770	3/1913	Hoff	17/44
1,117,436	11/1914	Person	17/44
1,603,562	10/1926	Taylor	17/44
2,270,857	1/1948	De Moss	17/44
2,501,520	3/1950	Howard	434/296
3,084,808	4/1962	Poduzzi et al.	D34/33
3,200,515	8/1965	Daigre	434/296
3,346,911	10/1967	Bergman, Sr.	17/21
3,874,094	4/1975	Mackey	434/296
4,021,883	5/1977	Schmidt, Jr.	17/21
4,164,056	8/1979	Hilgner	17/21

4,438,546	3/1984	Couture	17/21
4,653,149	3/1987	Swilley	17/21
4,680,819	7/1987	James	D34/33 X
4,703,523	11/1987	James	D34/33 X
4,723,339	2/1988	van de Nieuwelaar et al.	17/21

FOREIGN PATENT DOCUMENTS

346516	12/1921	Fed. Rep. of Germany	17/44
--------	---------	----------------------------	-------

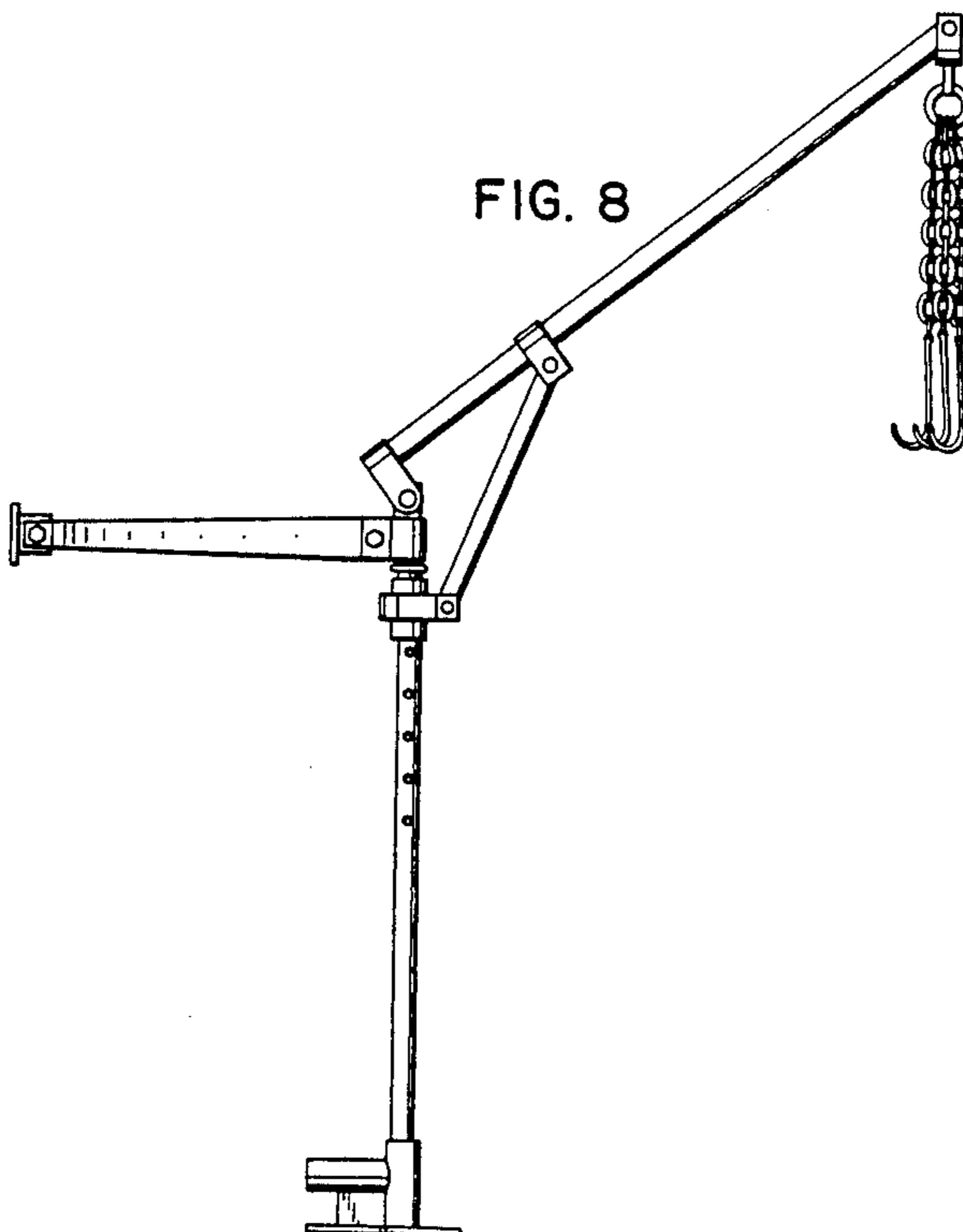
Primary Examiner—Horace B. Fay, Jr.
Attorney, Agent, or Firm—Scrivener and Clarke

[57] **CLAIM**

The ornamental design for an adjustable hanger for skinning animals by taxidermists and the like, as shown and described.

DESCRIPTION

FIG. 1 is a left side elevational view showing my new design of an adjustable hanger for skinning animals by taxidermists and the like, the right side elevational view being a mirror image thereof;
 FIGS. 2 and 3 are respectively front and rear elevational views thereof;
 FIG. 4 is a top plan view thereof;
 FIG. 5 is a rear elevational view of a second embodiment thereof, the differences residing in the substitution of rearwardly extending braces for said upper bracket and the rotation through 90 degree of the lower dual-socket bracket to enable the hanger to be connected to a horizontal surface, such as a work bench top and be braced by connection of said braces to a vertical surface such as a wall;
 FIG. 6 is a front elevational view thereof;
 FIG. 7 is a top plan view thereof; and
 FIG. 8 is a vertical side elevational view thereof.



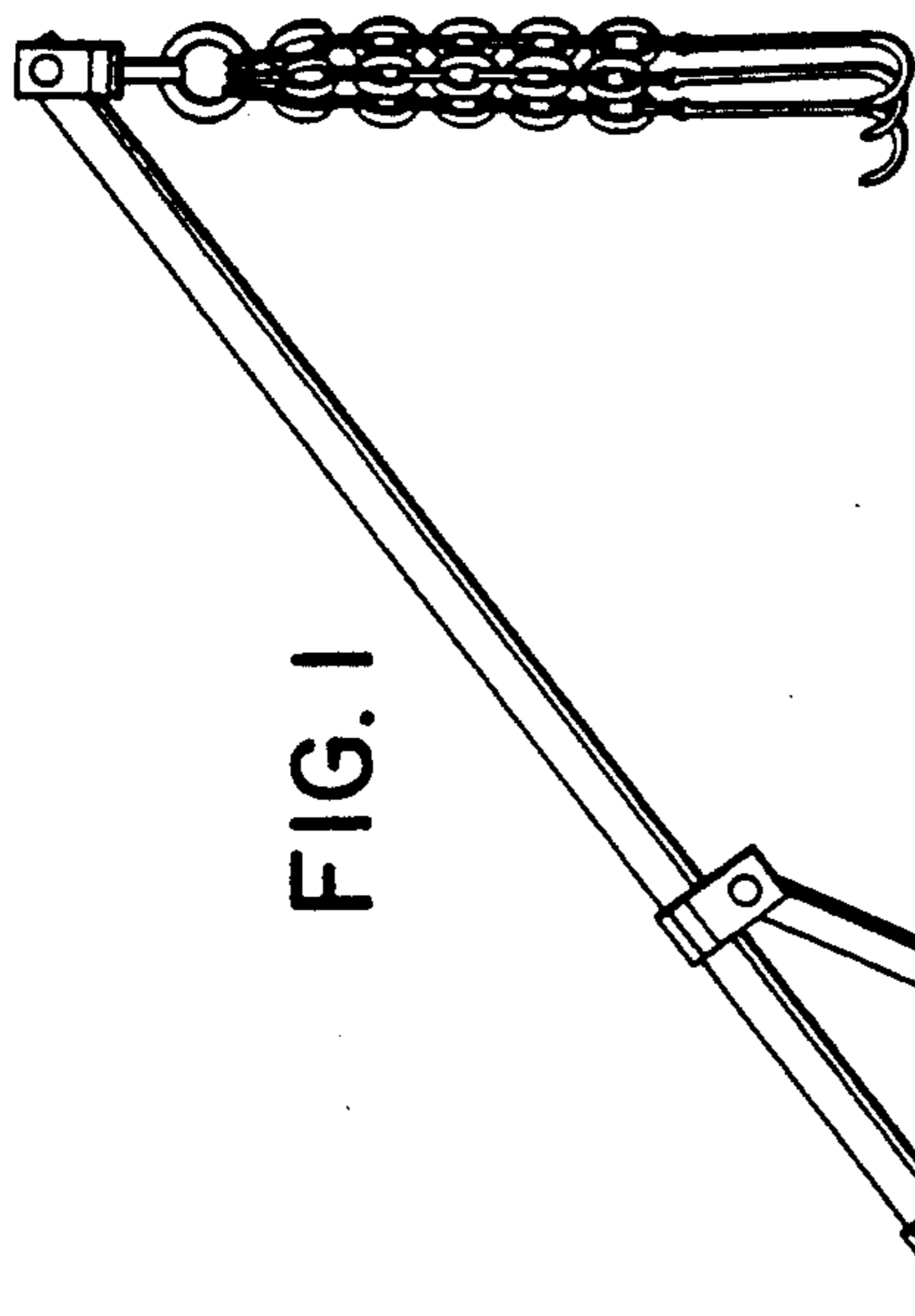


FIG. 1

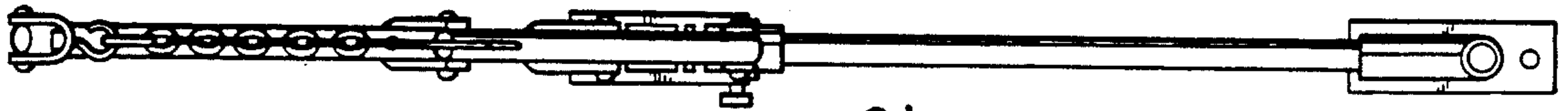


FIG. 2

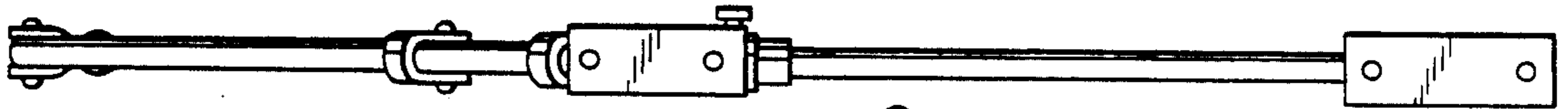


FIG. 3

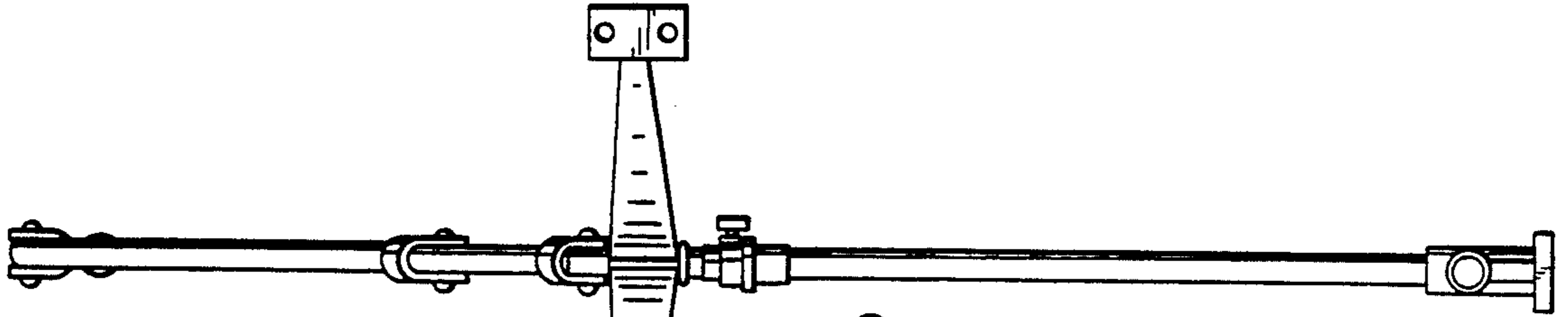


FIG. 5

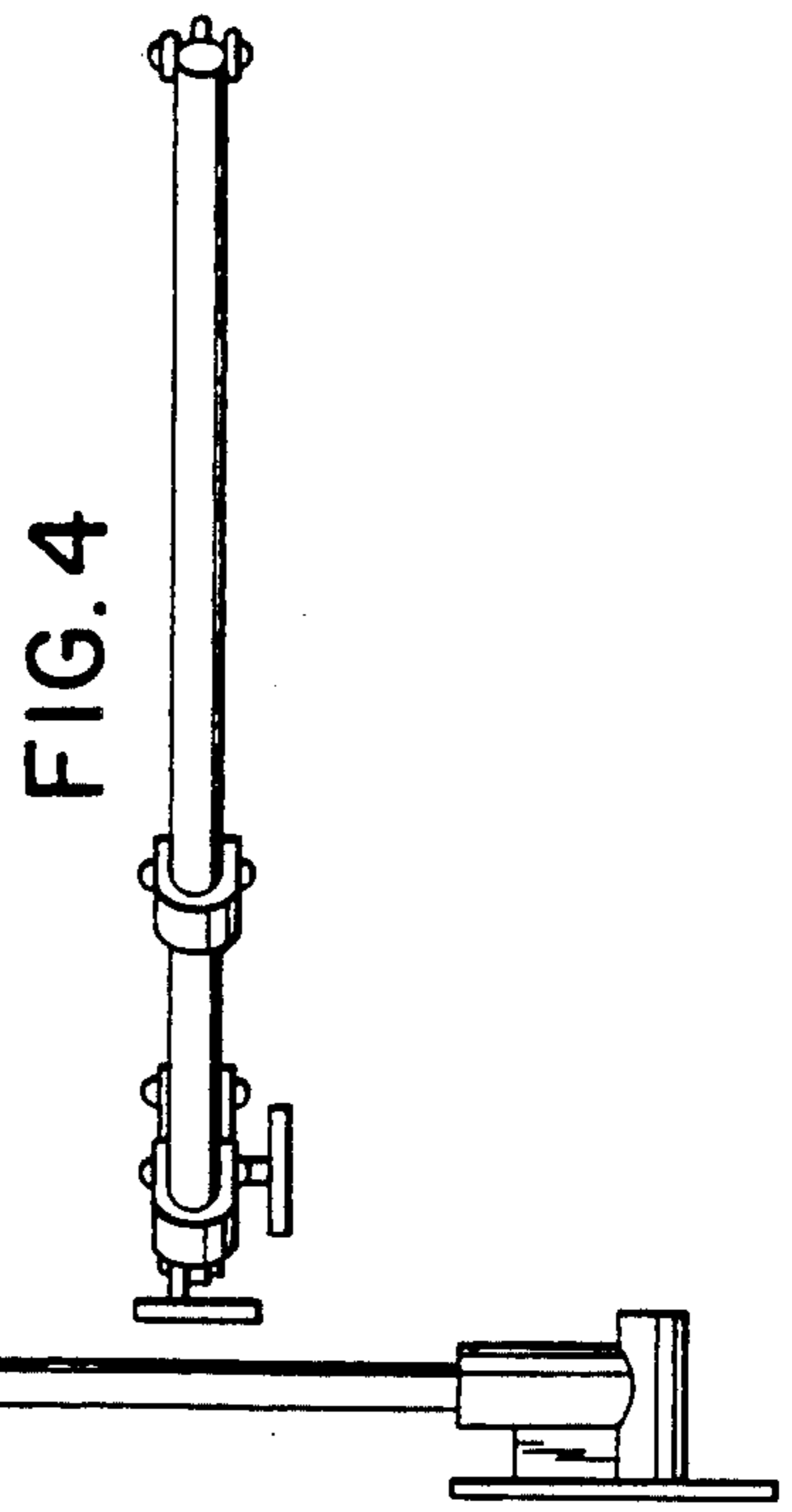


FIG. 4

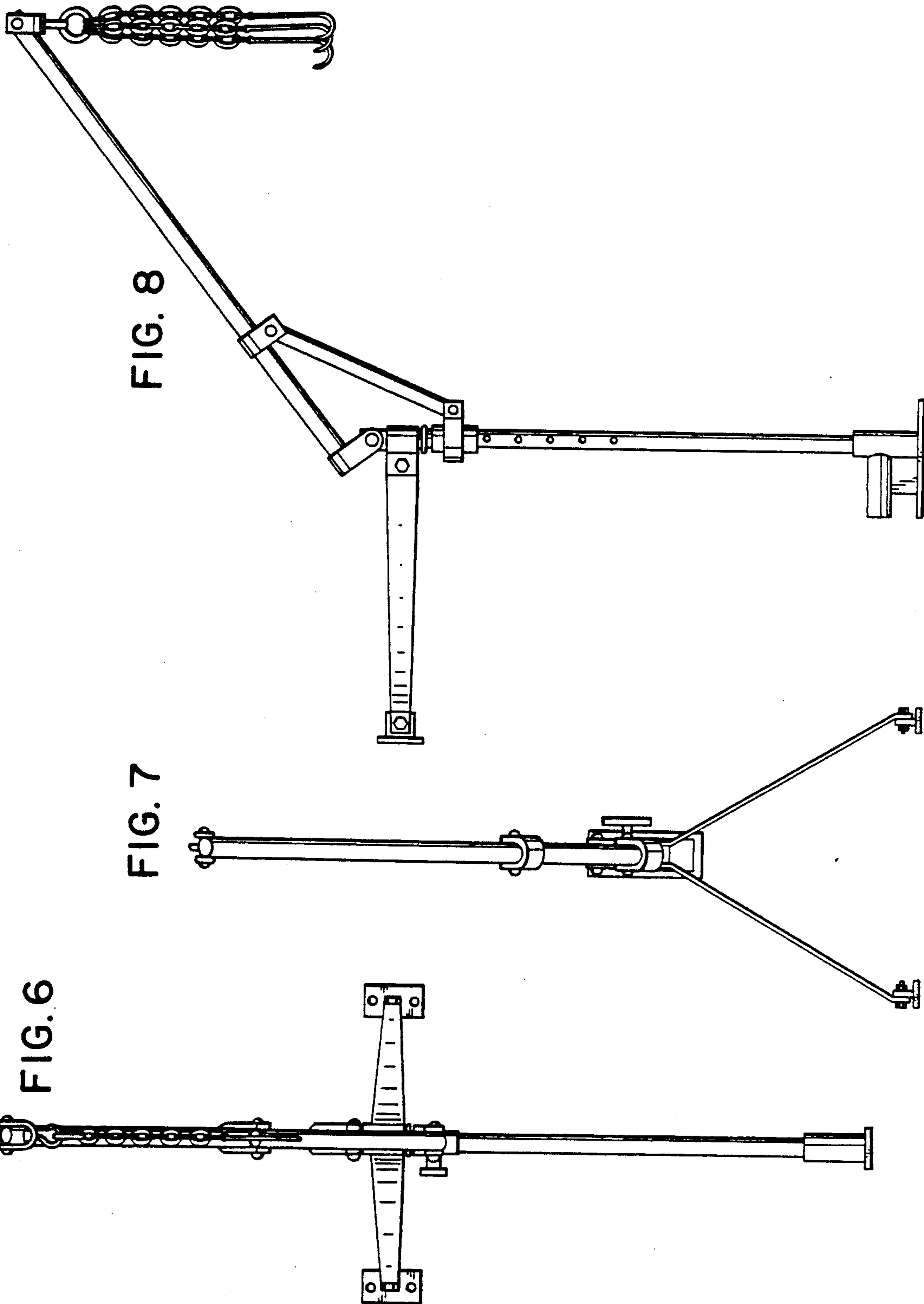


FIG. 8

FIG. 7

FIG. 6