

[54] **HAND-HELD CORDLESS GRASS/WEED TRIMMER**
[75] **Inventor: Arnold L. Sepke, Hudson, Ill.**
[73] **Assignee: White Consolidated Industries, Inc., Cleveland, Ohio**
[**] **Term: 14 Years**
[21] **Appl. No.: 331,901**
[22] **Filed: Apr. 3, 1989**
[52] **U.S. Cl. D8/8**
[58] **Field of Search D8/1, 7-8; 30/165, 388, 390, 194, 205-206, 215, 240, 263-264**

D. 228,729 10/1973 Anderson D8/8
2,663,931 12/1953 Lecours 30/206
3,774,302 11/1973 Ketchpel, Jr. et al. 30/210

Primary Examiner—Wallace R. Burke
Assistant Examiner—Brian N. Vinson
Attorney, Agent, or Firm—Hubbard, Thurman, Turner, Tucker & Harris

[57] **CLAIM**

The ornamental design for a hand-held cordless, grass-/weed trimmer, as shown and described.

DESCRIPTION

FIG. 1 is a top, front and right side perspective view of a hand-held cordless grass/weed trimmer showing my new design;
FIG. 2 is a front and left side perspective view thereof, the right side being a mirror image of that shown;
FIG. 3 is a top plan view thereof;
FIG. 4 is a rear elevational view thereof; and
FIG. 5 is a bottom plan view thereof.

[56] **References Cited**
U.S. PATENT DOCUMENTS
D. 174,586 4/1955 Moberg D8/8
D. 190,243 5/1961 Edgett D8/8
D. 225,605 12/1972 Doyel D8/8

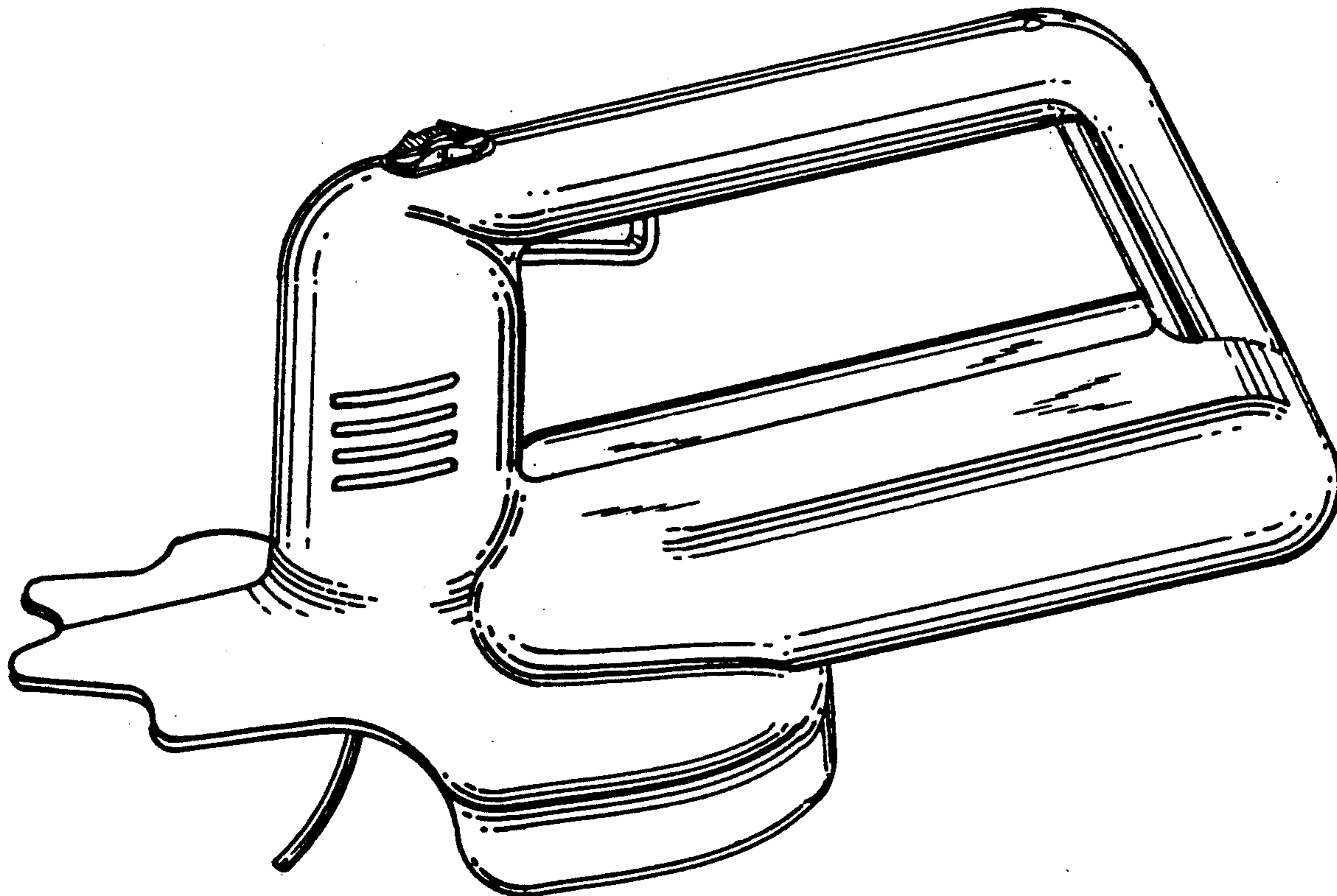


FIG.1

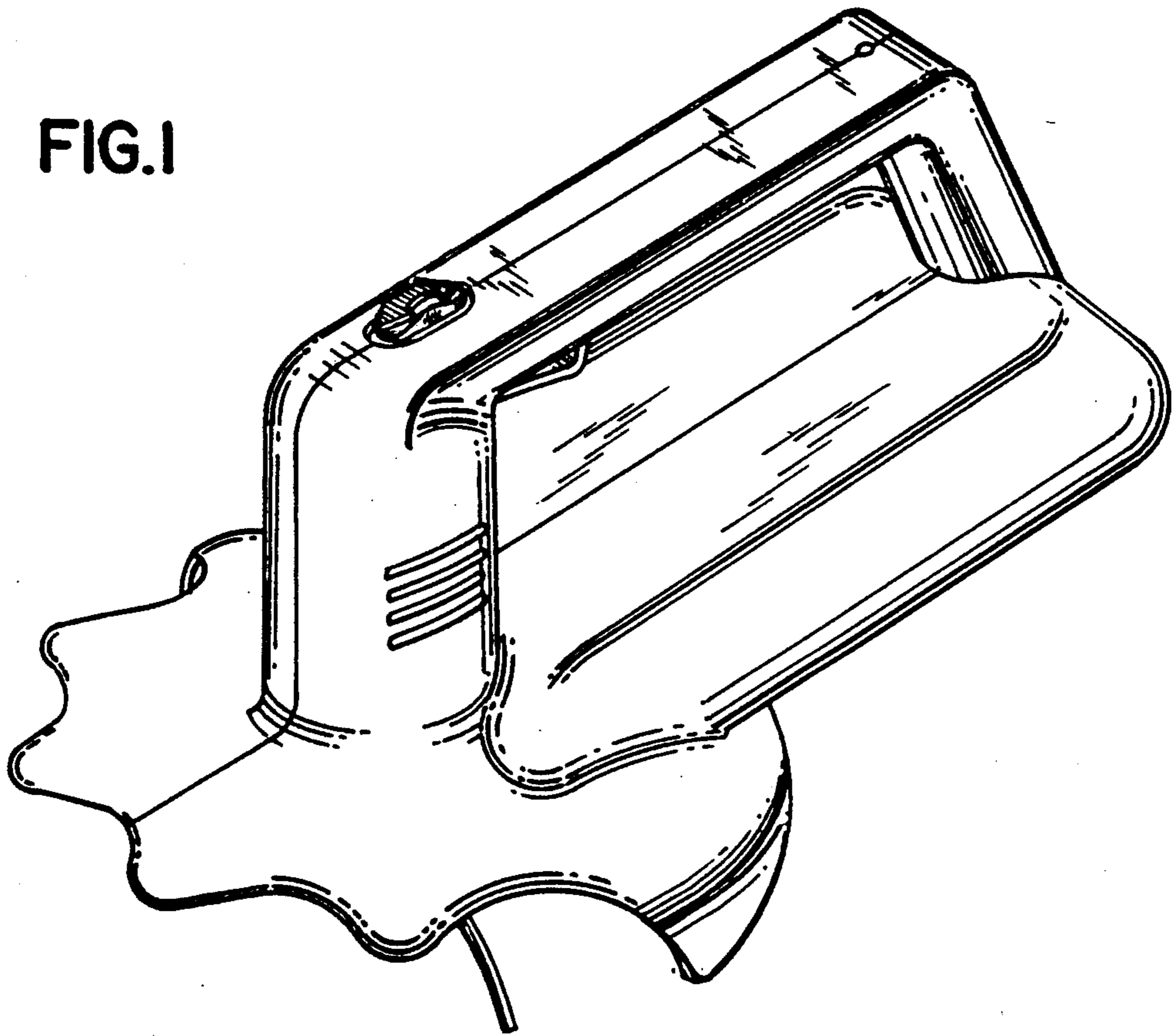


FIG.2

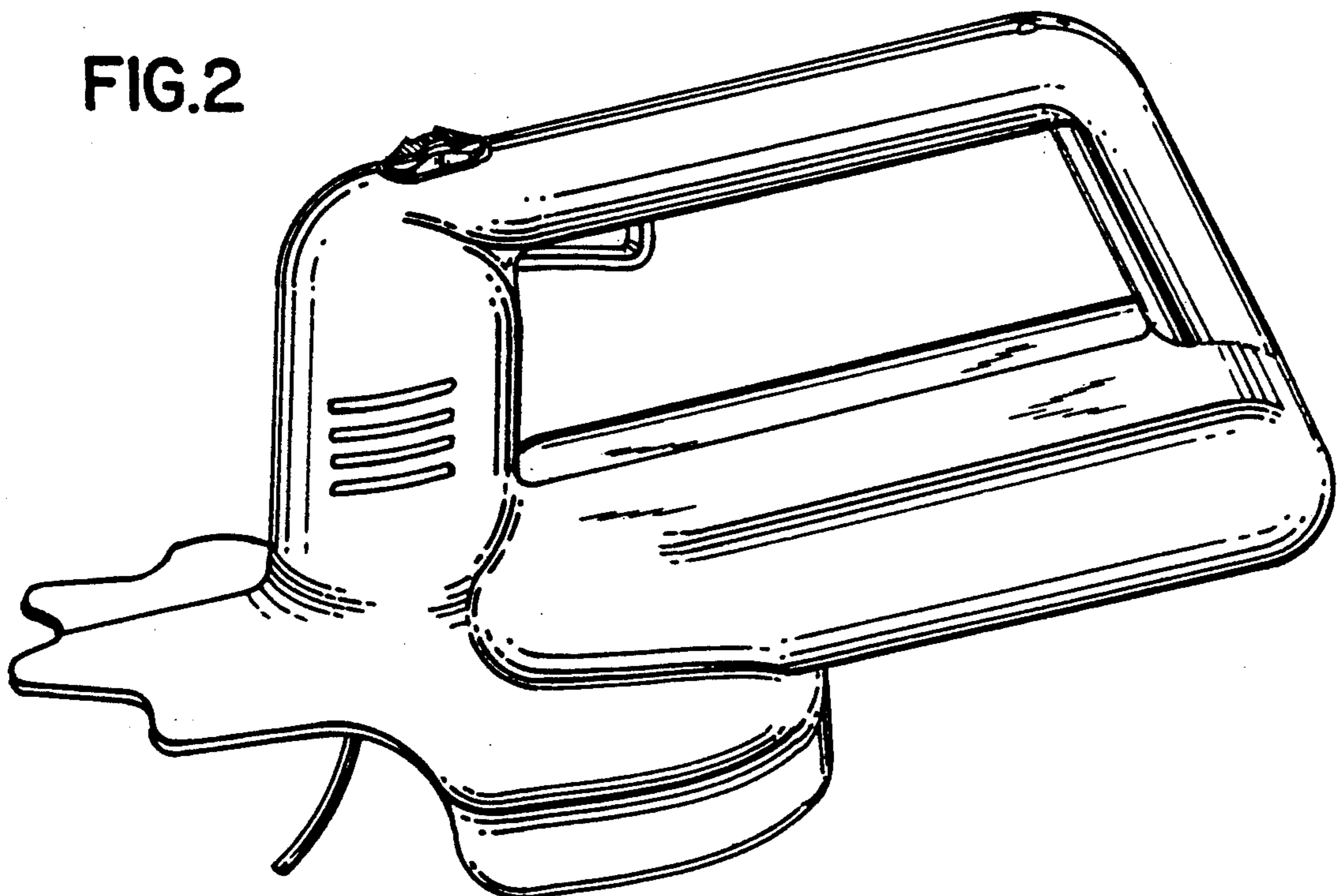


FIG.3

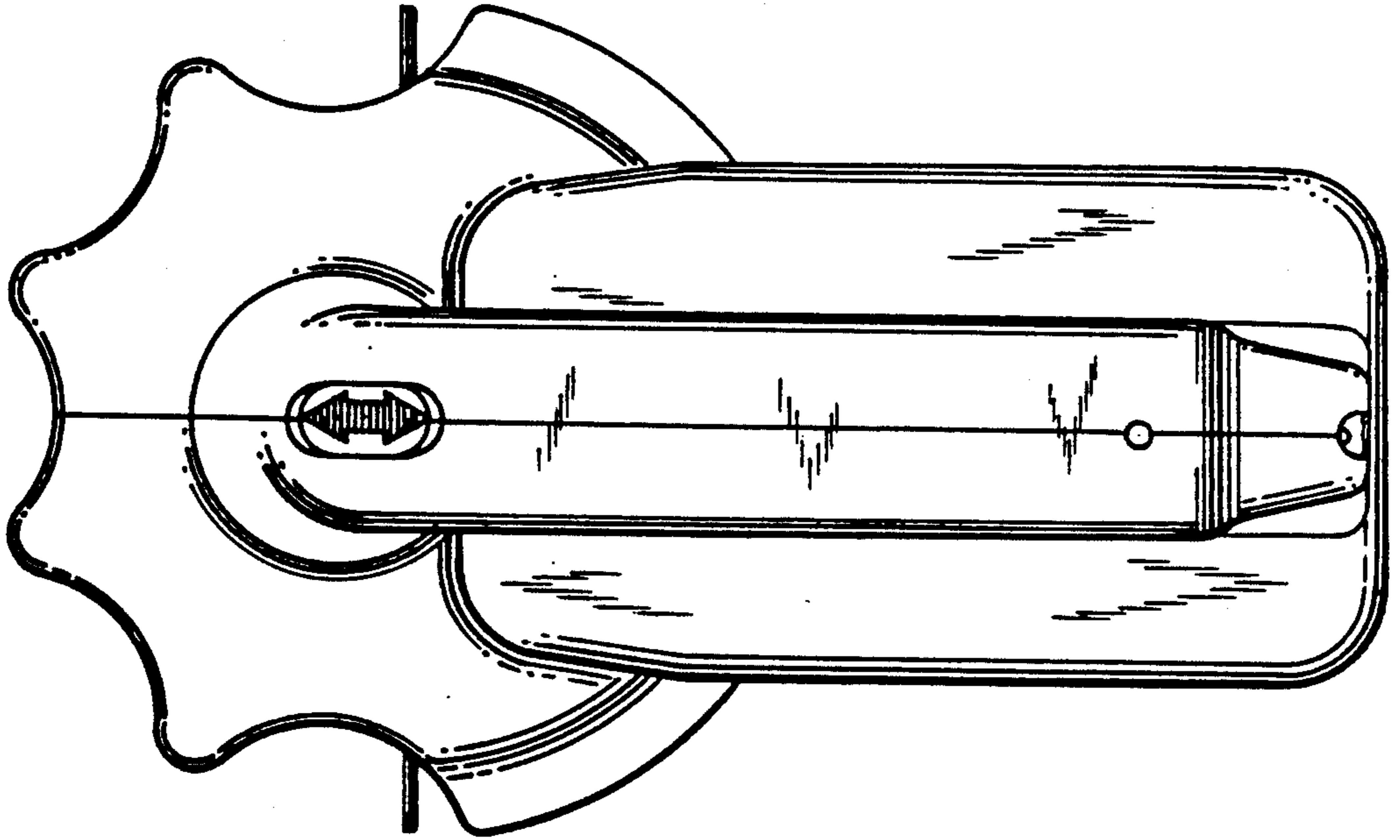


FIG.4

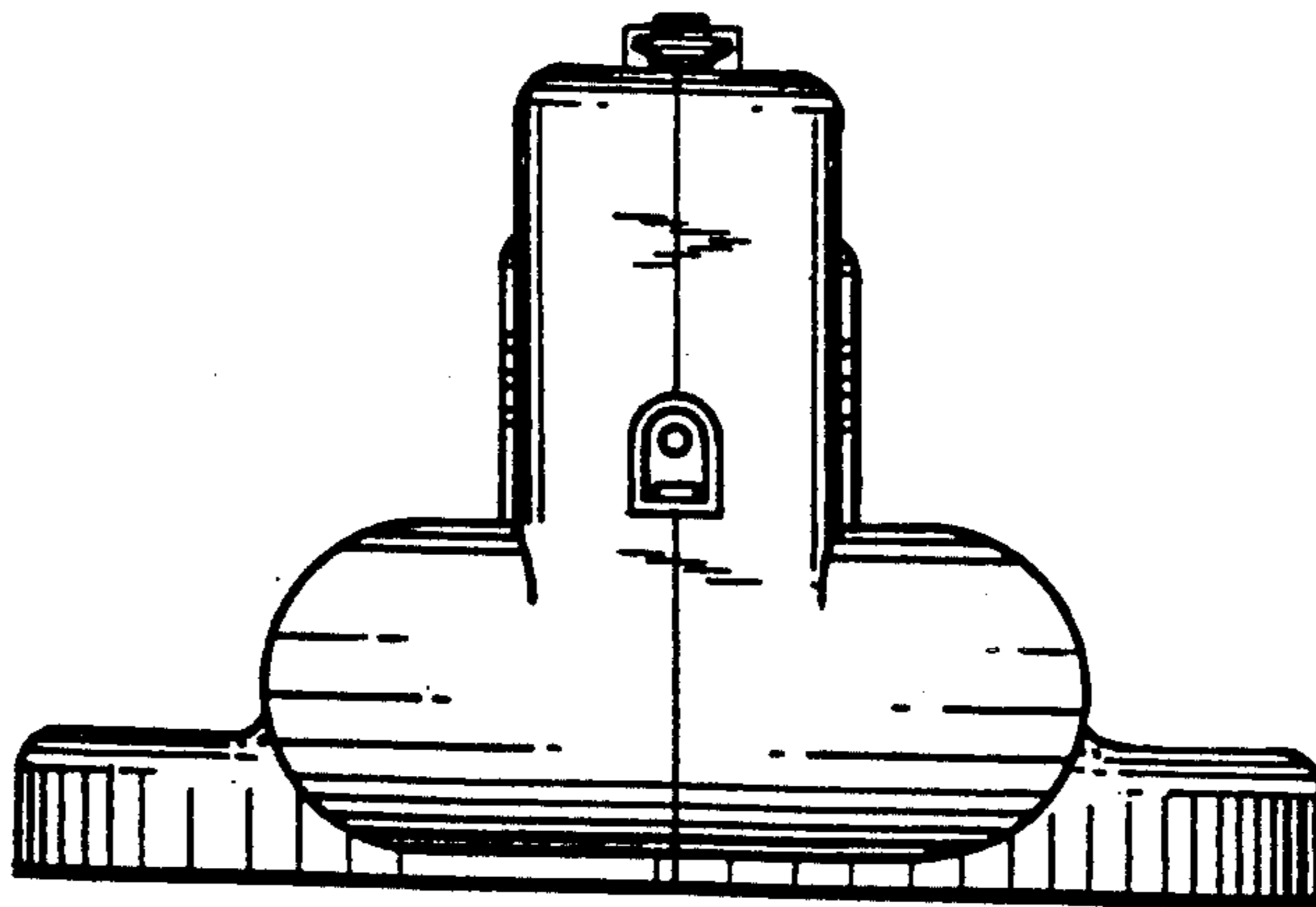


FIG.5

