

United States Patent [19]

Anderson et al.

[11] Patent Number: Des. 315,083

[45] Date of Patent: ** Mar. 5, 1991

[54] BUTTER DISPENSER

[76] Inventors: William Anderson; John Anderson,
both of 5319 SW. 28th St., Topeka,
Kans. 66614

[**] Term: 14 Years

[21] Appl. No.: 244,258

[22] Filed: Sep. 14, 1988

[52] U.S. Cl. D7/670

[58] Field of Search D7/670; 401/9-12,
401/170, 182

3,078,011 2/1963 Safianoff 222/390
3,185,345 5/1965 Hunegs 222/390
3,374,048 3/1968 Koskinen 401/98
3,920,156 11/1975 Hicks D7/670 X
4,544,083 10/1985 Schroeder 222/390

Primary Examiner—Bernard Ansher
Assistant Examiner—Terry A. Pfeffer
Attorney, Agent, or Firm—Terry M. Gernstein

[57] CLAIM

The ornamental design for a butter dispenser, as shown and described.

DESCRIPTION

FIG. 1 is a front elevational view of a butter dispenser showing our new design, the opposite side being a mirror image; and

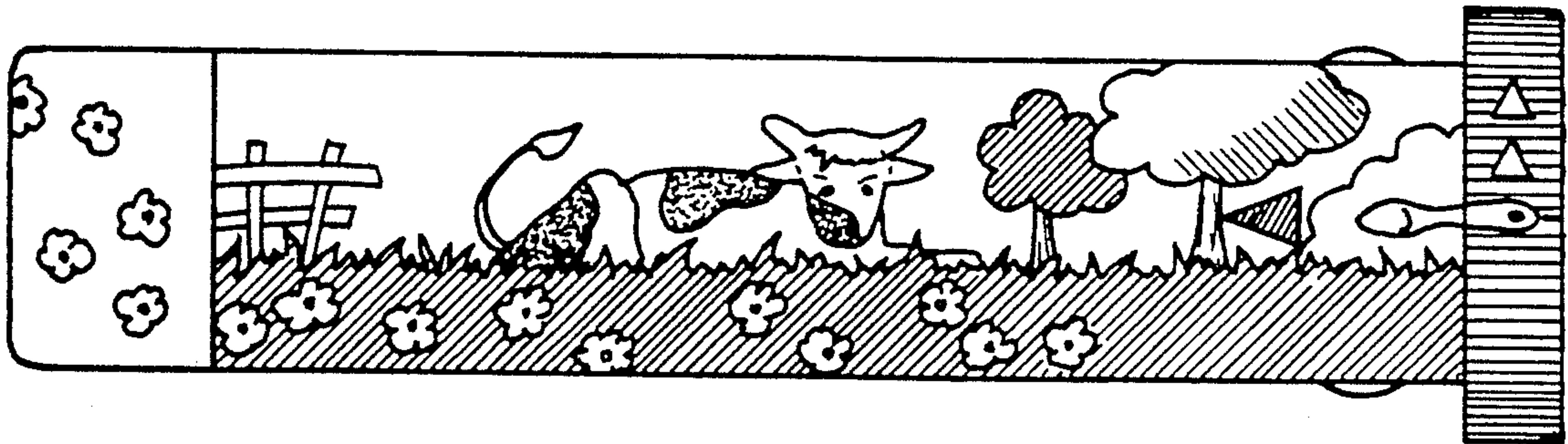
FIG. 2 is an exploded top, front, right side perspective view thereof.

The undisclosed bottom view is a mirror image of the top and the left side view is unadorned.

[56] References Cited

U.S. PATENT DOCUMENTS

D. 166,619 4/1952 Paul .
D. 194,883 3/1963 Mattar .
2,284,218 5/1942 Livingston 222/390
2,751,118 6/1956 Soule 222/390
2,980,247 4/1961 DiGiantomasso 401/79



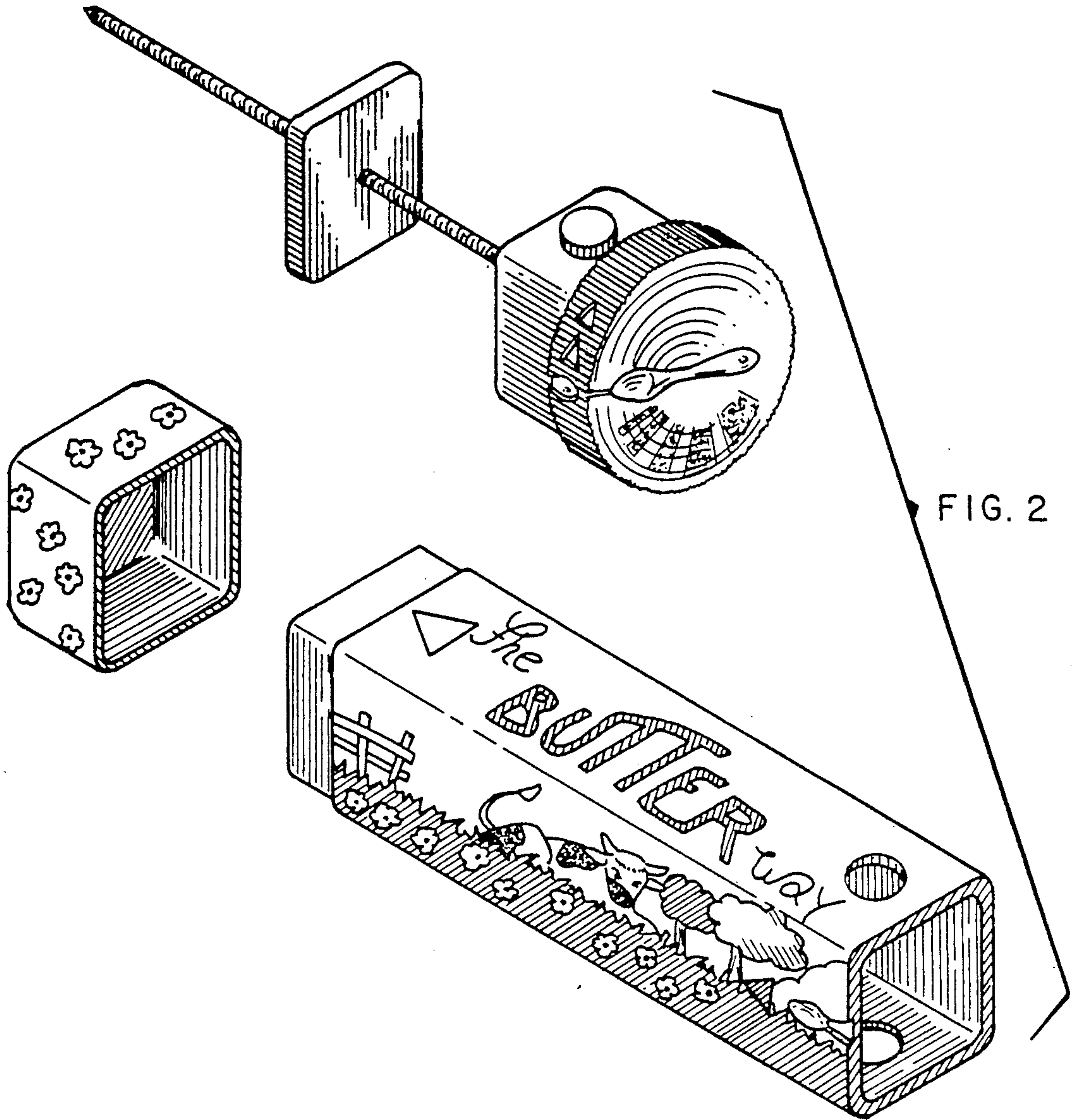


FIG. 2

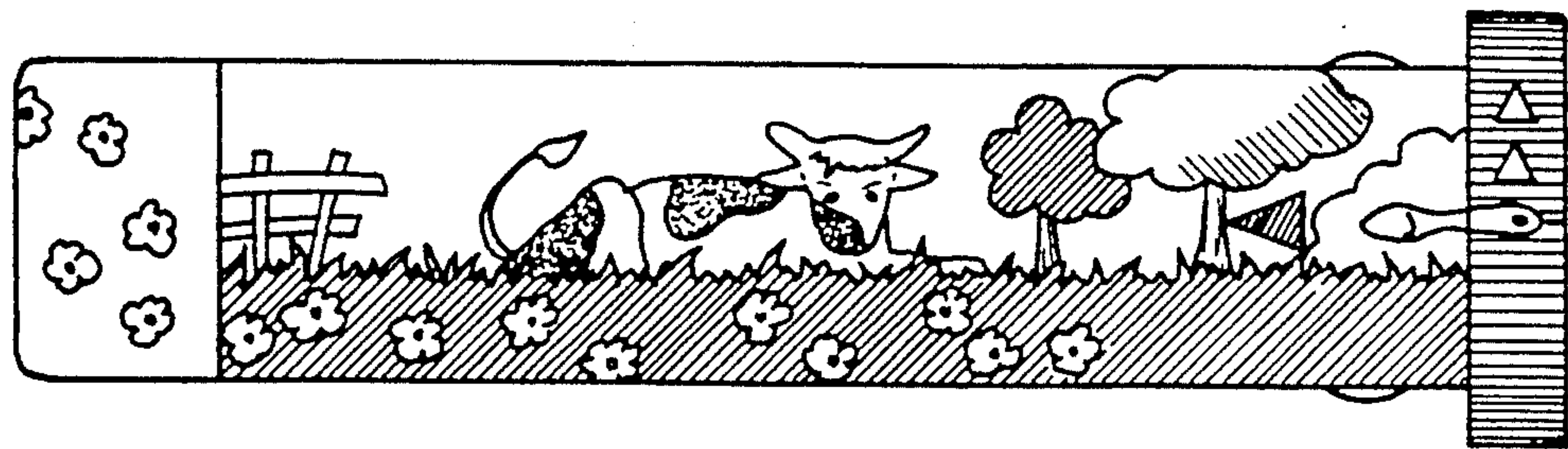


FIG. 1