

[54] **CUTTING BOARD RECEPTACLE SUPPORT**

[76] **Inventor: Kenneth L. Liberty, II, 1314 Desert Rose Way, Olivenhain, Calif. 92024**

[**] **Term: 14 Years**

[21] **Appl. No.: 40,149**

[22] **Filed: Apr. 20, 1987**

[52] **U.S. Cl. D7/601; D7/620; D7/698; D7/387**

[58] **Field of Search D7/70, 71, 46, 387; D9/455; 248/311.2; 215/100 R, 100 A; 220/85 H; D6/513, 514**

[56] **References Cited**

U.S. PATENT DOCUMENTS

D. 265,508 7/1982 Rusteberg D7/70 X

Primary Examiner—Bernard Ansher
Assistant Examiner—Terry A. Pfeffer
Attorney, Agent, or Firm—Lewis E. Massie

[57] **CLAIM**

The ornamental design for cutting board receptacle support, as shown and described.

DESCRIPTION

FIG. 1 is a front, top, left side perspective view of a cutting board receptacle support showing my new design;

FIG. 2 is a right side elevational view thereof;

FIG. 3 is a top plan view thereof;

FIG. 4 is a rear elevational view thereof;

FIG. 5 is a front elevational view thereof; and

FIG. 6 is a bottom plan view thereof.

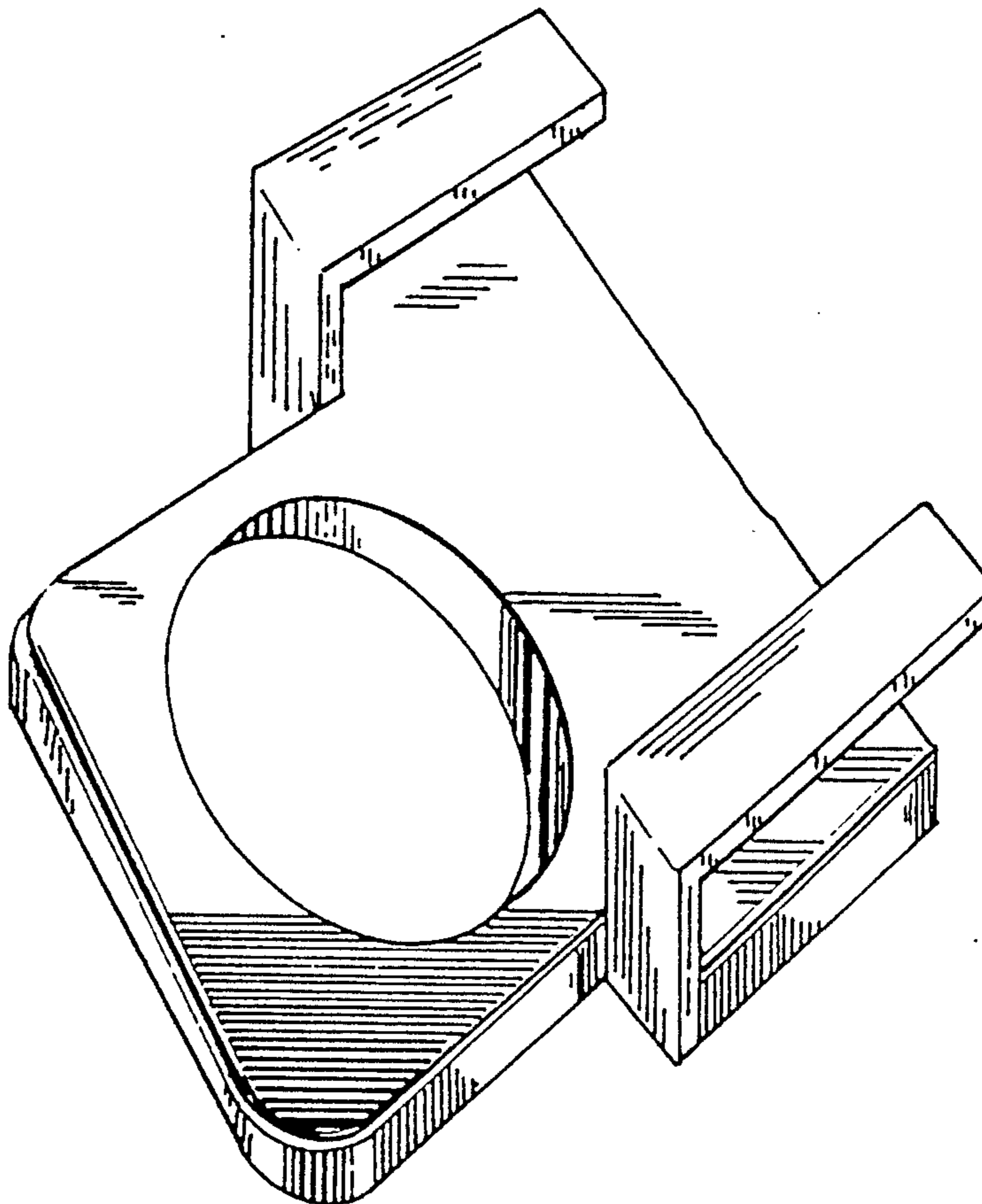




FIG. 4

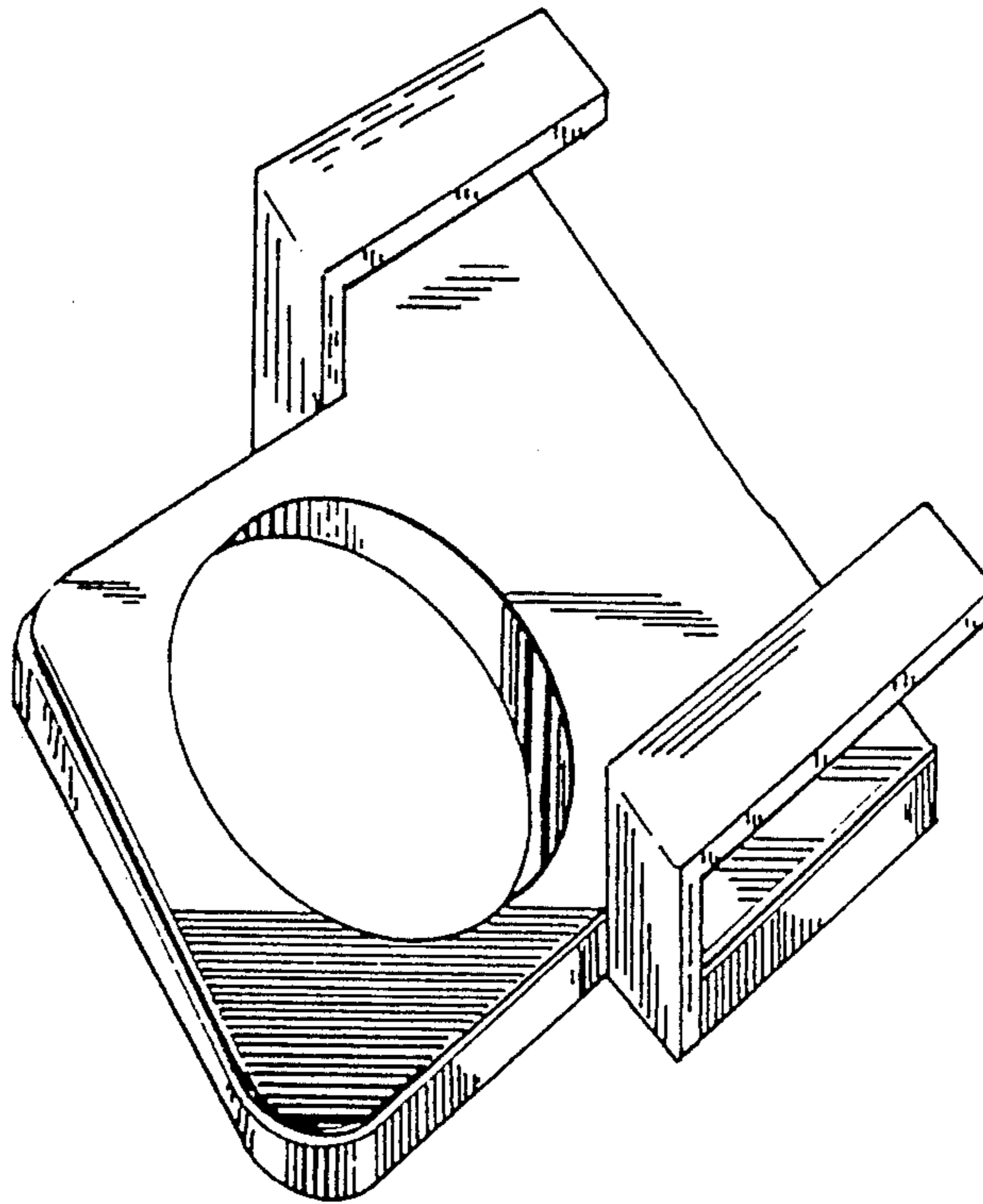


FIG. 1



FIG. 5

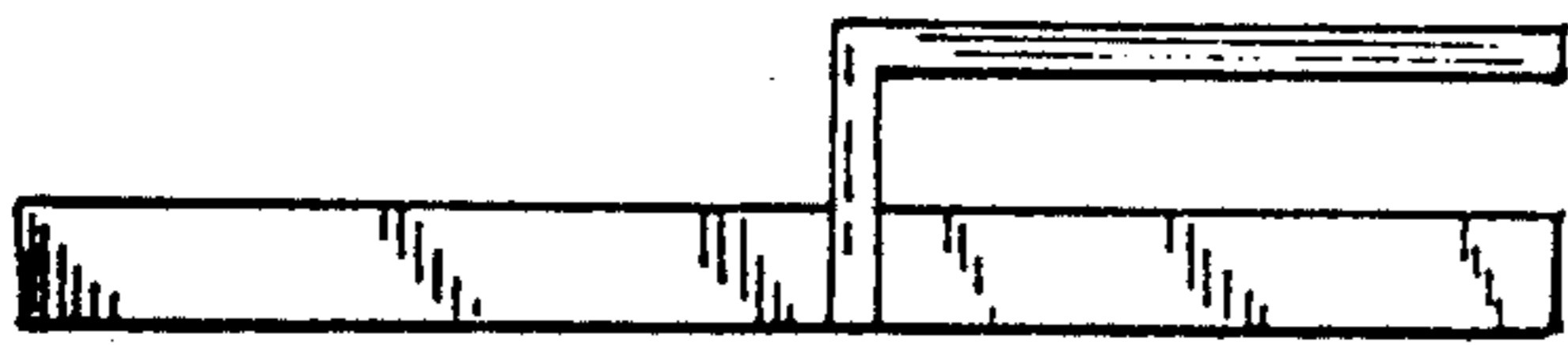


FIG. 2

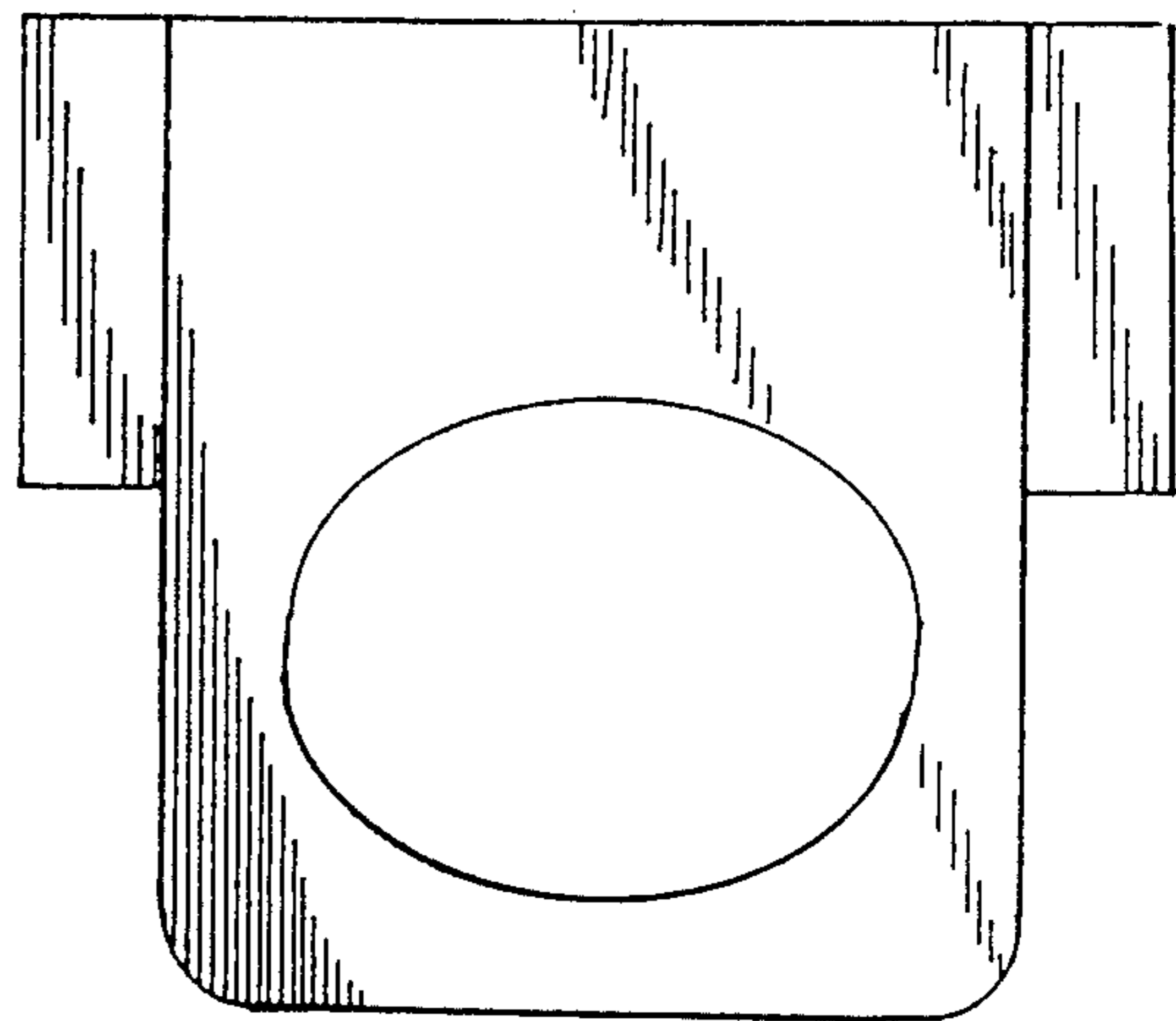


FIG. 3