

# United States Patent [19]

Gerber

[11] Patent Number: **Des. 315,075**

[45] Date of Patent: **\*\* Mar. 5, 1991**

[54] **RACK FOR HANDLED IMPLEMENTS**

[75] Inventor: **William C. Gerber, Wooster, Ohio**

[73] Assignee: **Rubbermaid Incorporated, Wooster, Ohio**

[\*\*] Term: **14 Years**

[21] Appl. No.: **296,036**

[22] Filed: **Jan. 12, 1989**

[52] U.S. Cl. .... **D6/572; D6/553**

[58] Field of Search ..... **D6/512, 553-554, D6/566-567, 569-570, 572; D8/373; 211/13, 60.1, 70.6, 65-66, 86-87, 89; 248/110**

[56] **References Cited**

**U.S. PATENT DOCUMENTS**

D. 232,992 10/1974 Molzen ..... D6/570  
D. 278,874 5/1985 Thorneburg et al. .... D6/553 X

D. 286,964 12/1986 Gecchelin ..... D6/569

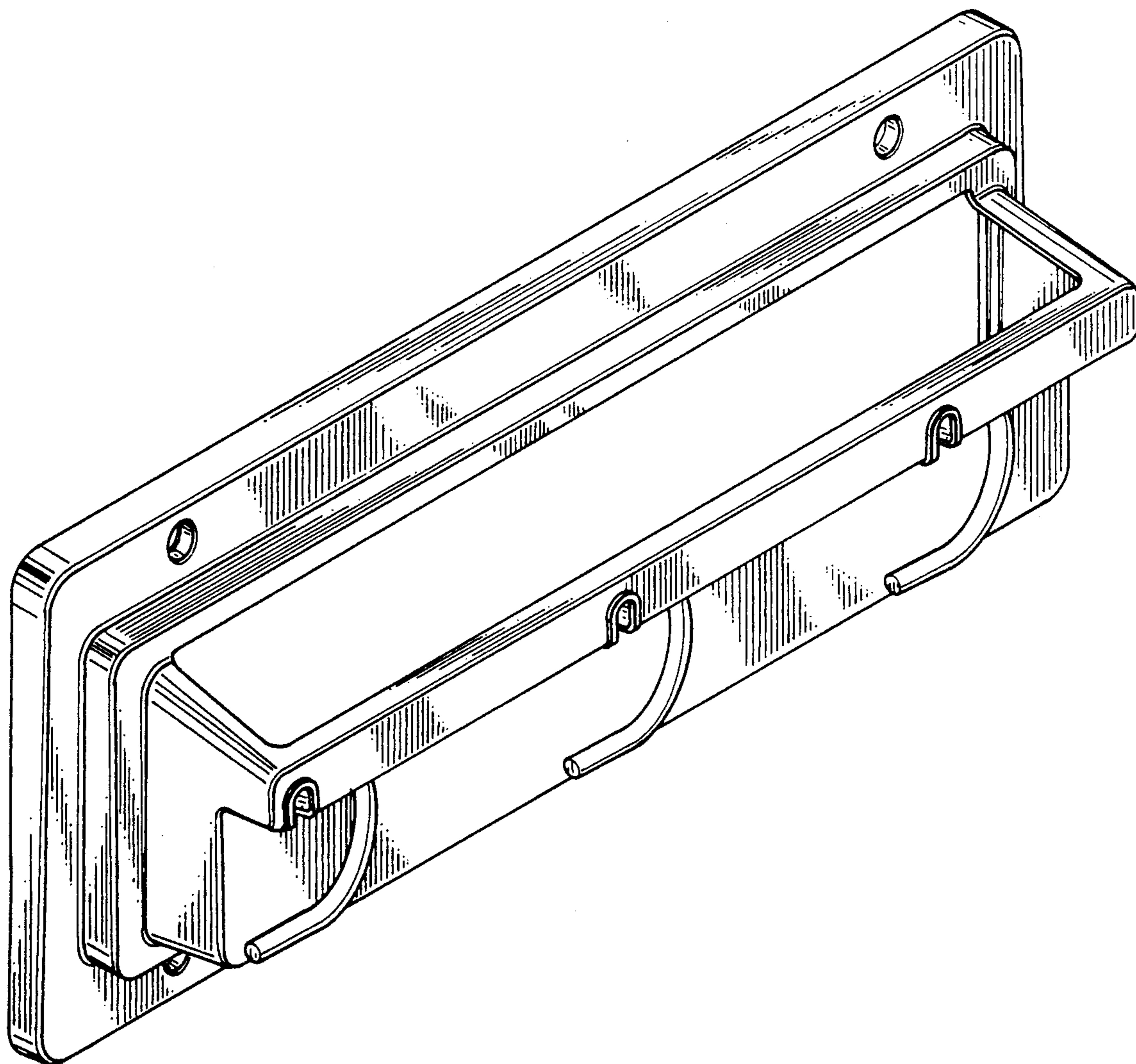
*Primary Examiner*—Wallace R. Burke  
*Assistant Examiner*—Brian N. Vinson  
*Attorney, Agent, or Firm*—Richard B. O'Planick

[57] **CLAIM**

The ornamental design for a rack for handled implements, as shown and described.

**DESCRIPTION**

FIG. 1 is a top, front, and left side perspective view of a rack for handled implements showing my new design; FIG. 2 is a vertical cross-sectional view thereof, taken along line 2—2 of FIG. 6; FIG. 3 is a left side elevational view thereof; FIG. 4 is a top plan view thereof; FIG. 5 is a bottom plan view thereof; FIG. 6 is a front elevational view thereof; FIG. 7 is a rear elevational view thereof; and FIG. 8 is a right side elevational view thereof.



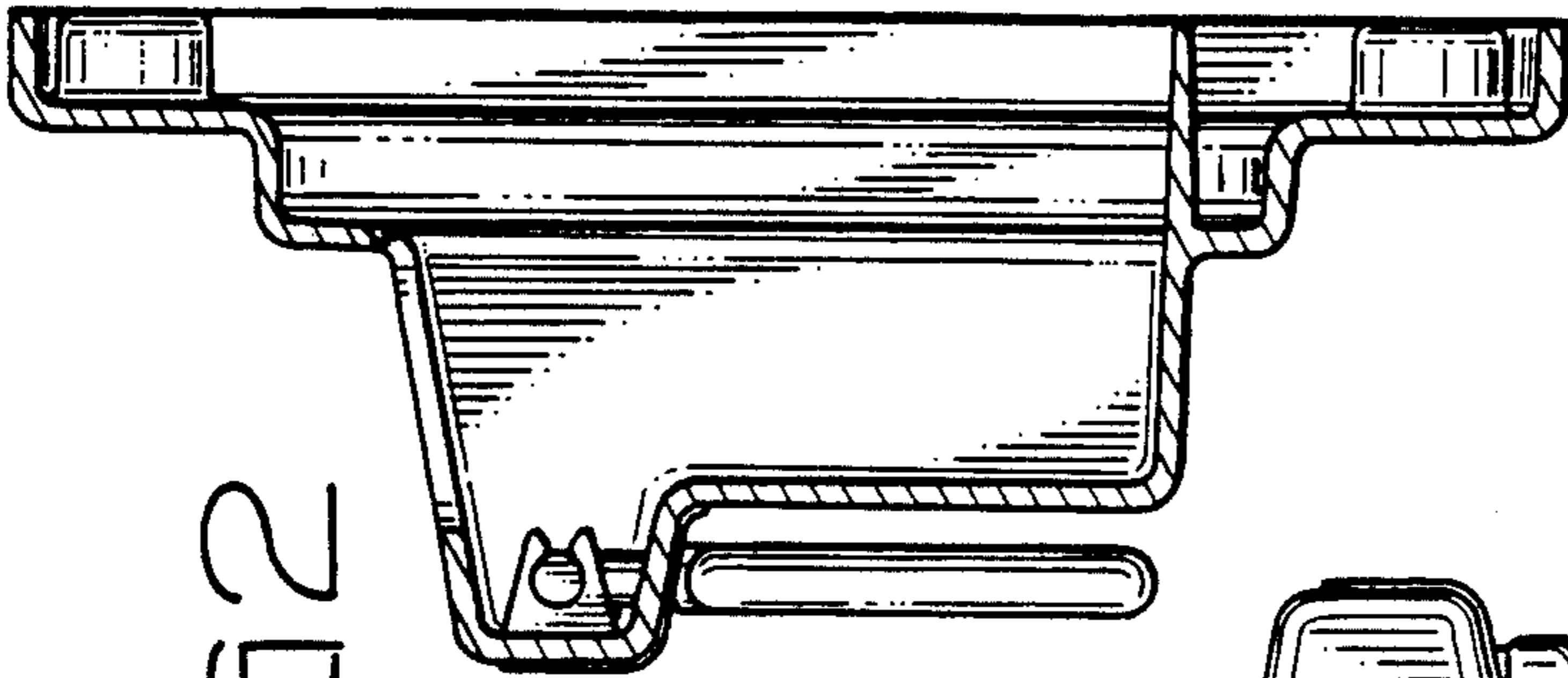


FIG. 2

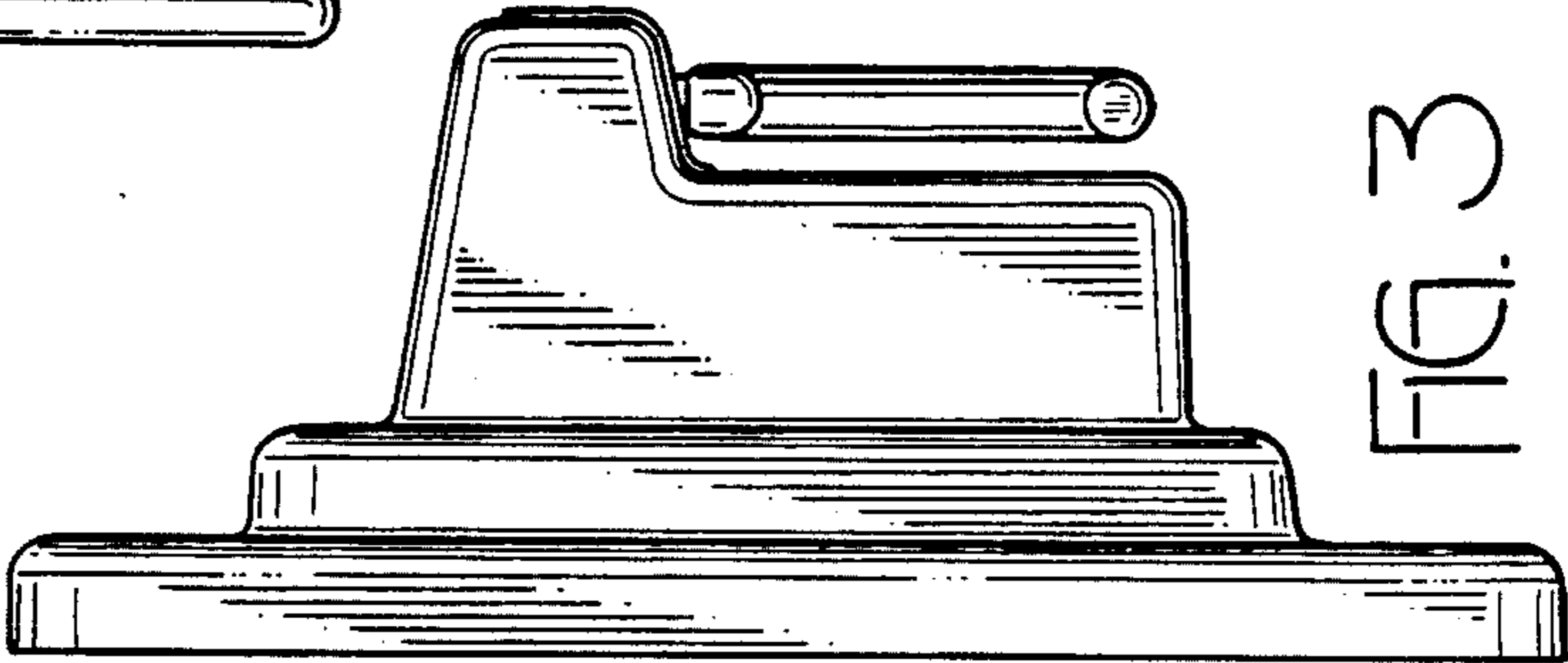


FIG. 3

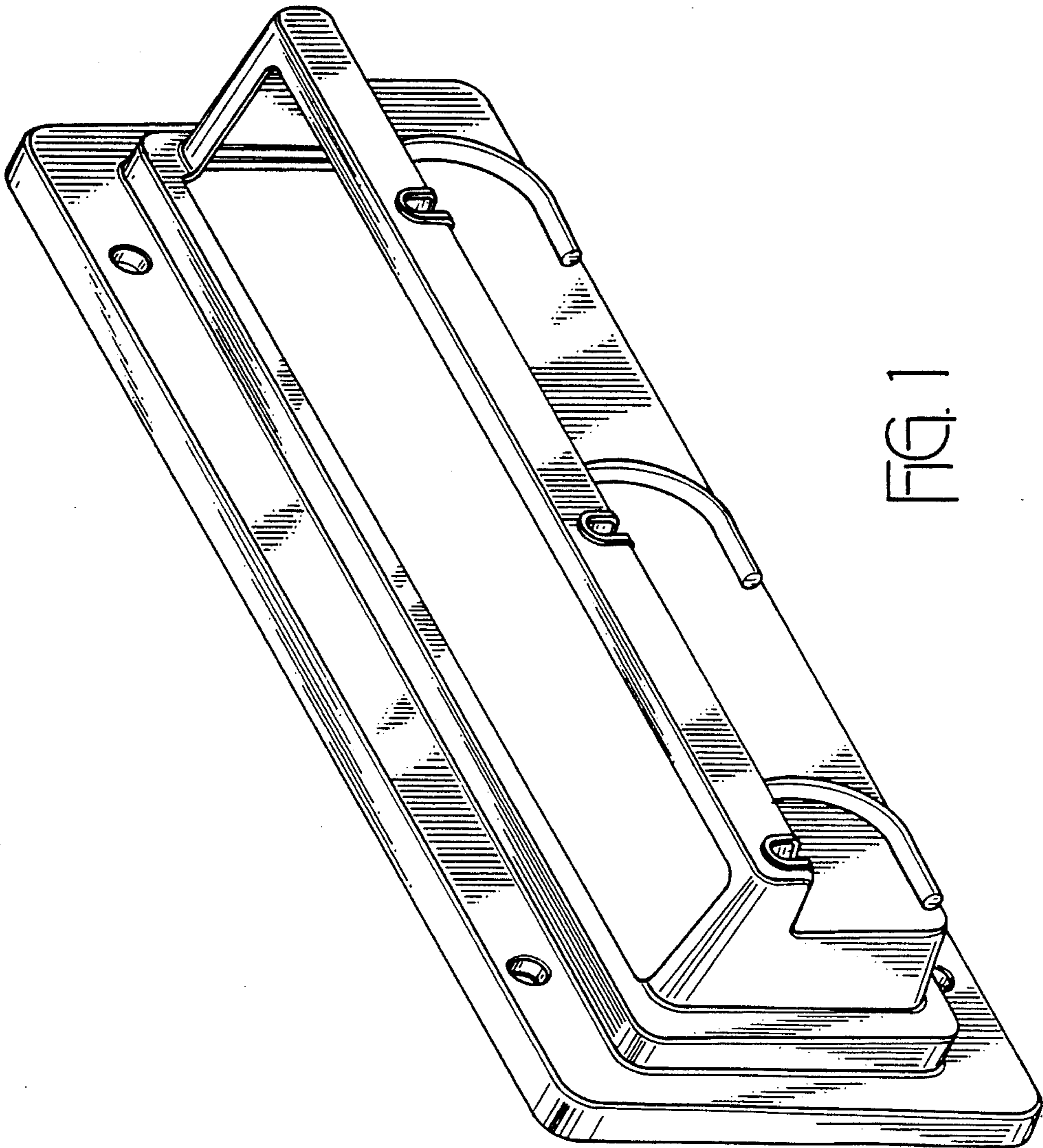


FIG. 1

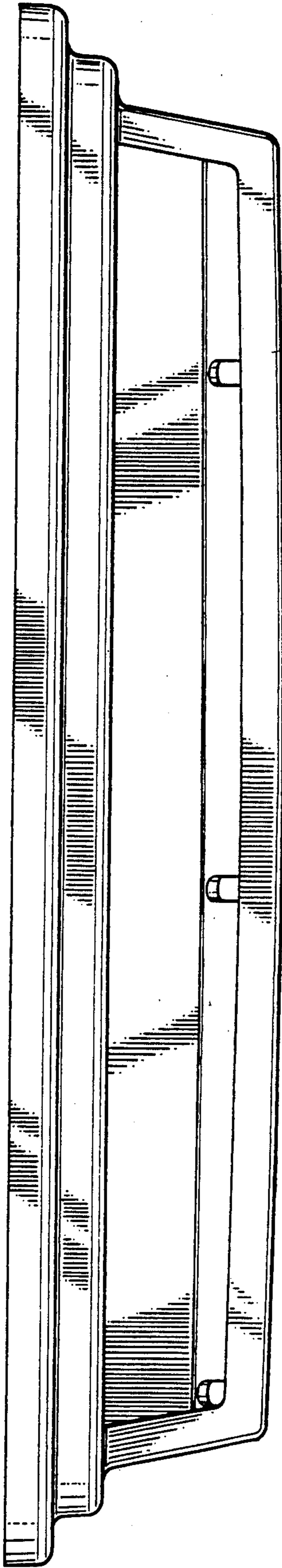


FIG. 4

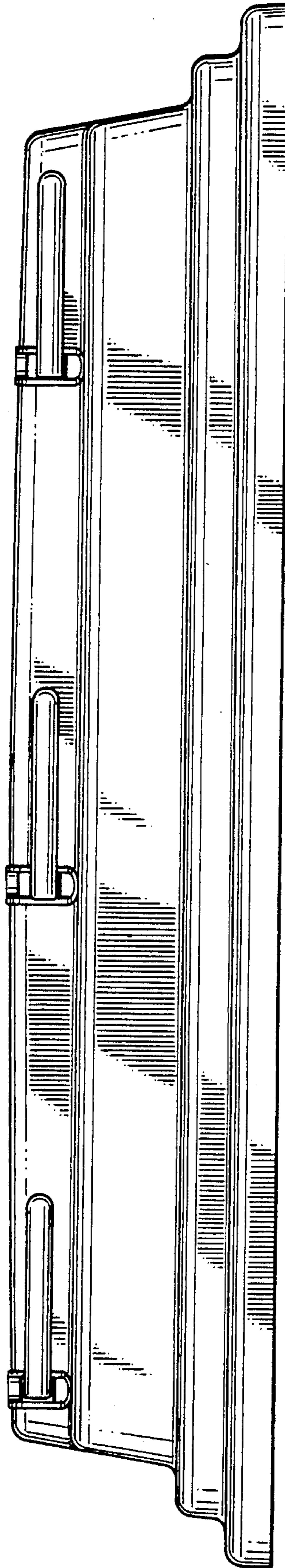


FIG. 5

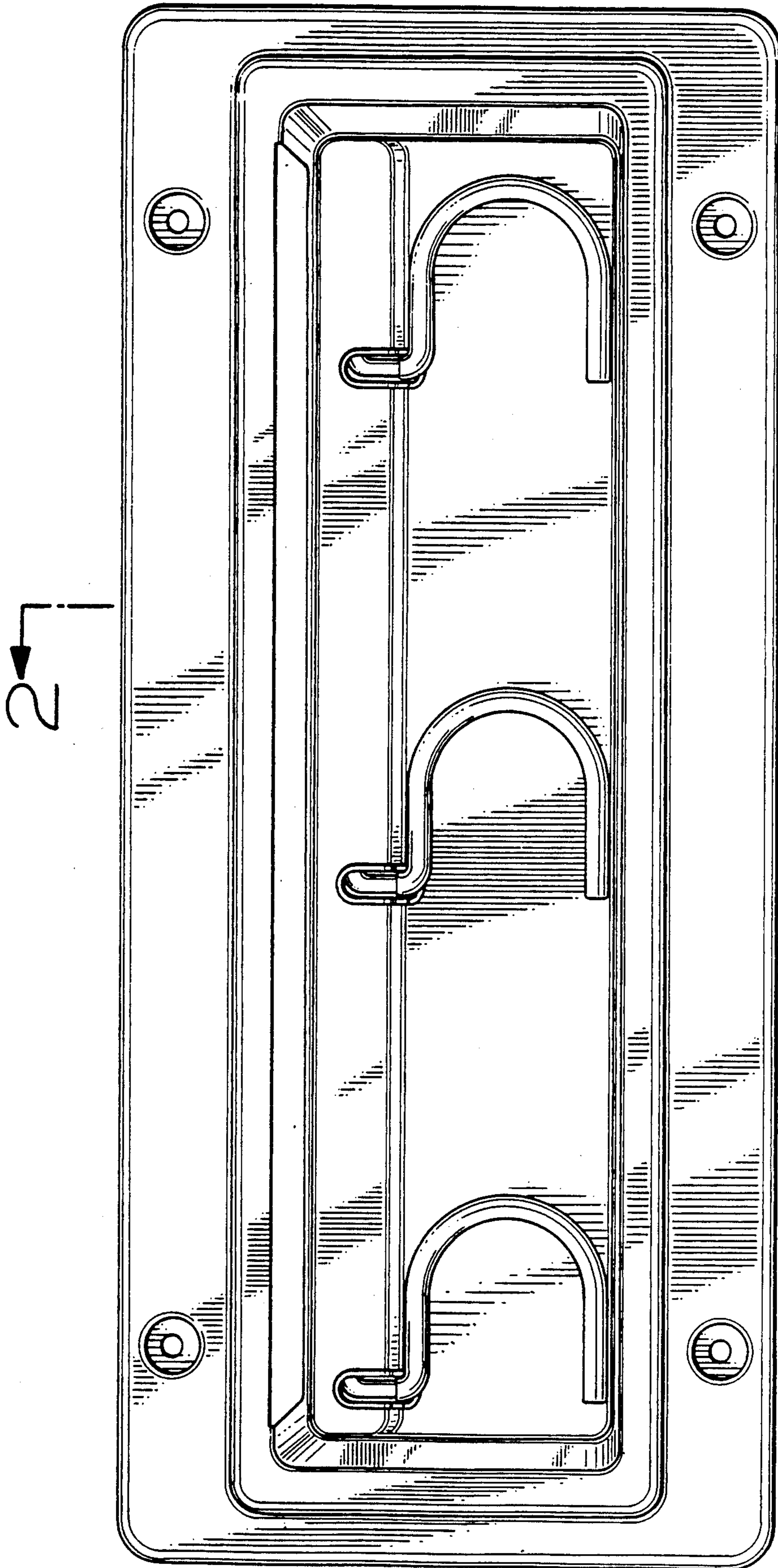


FIG. 6

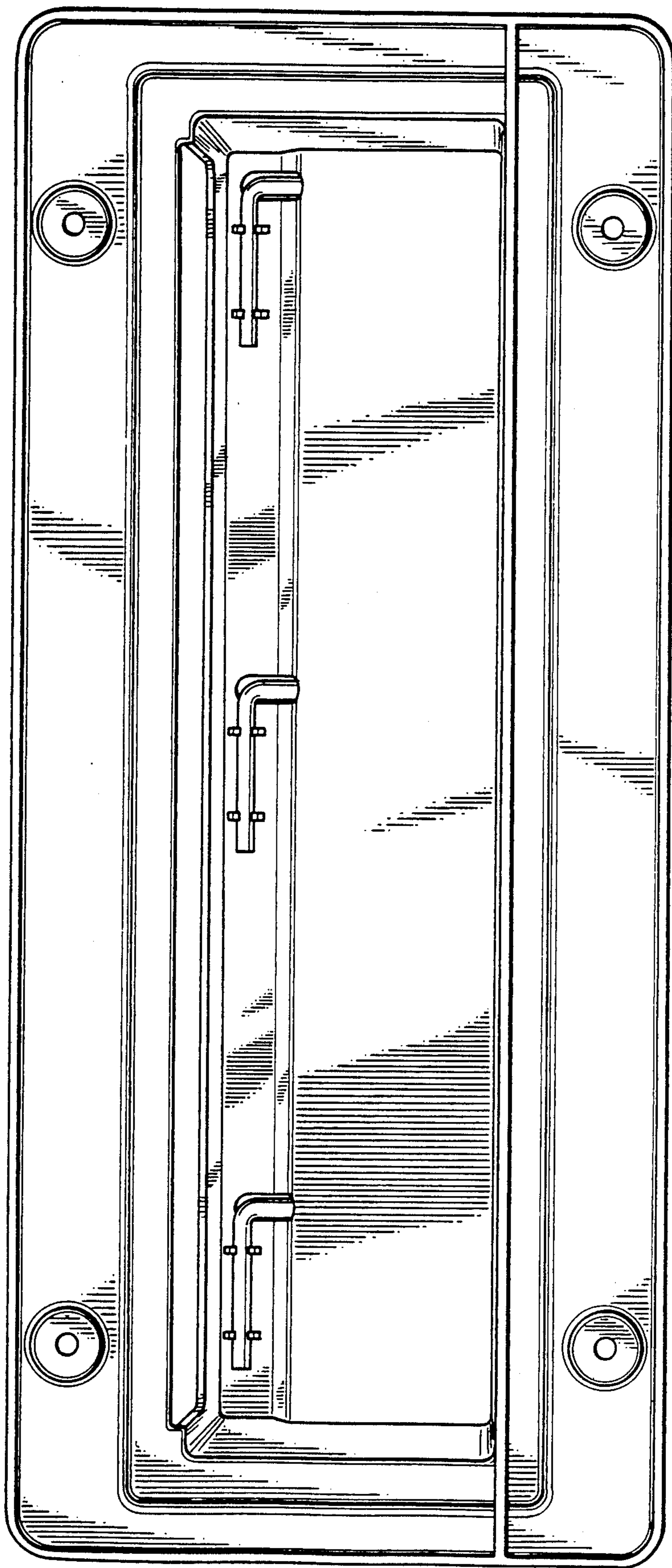


FIG. 7

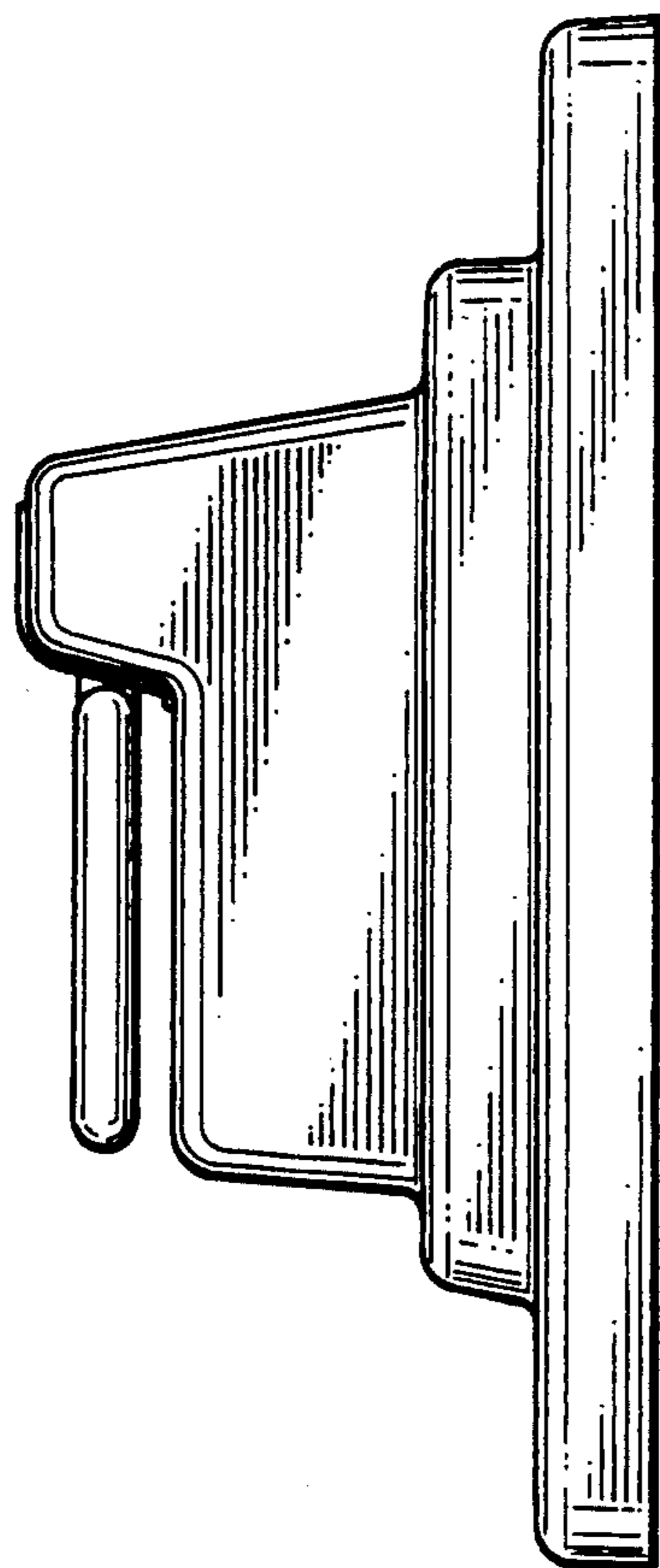


FIG. 8