

[54] **HEADBOARD FOR A BED**

[76] **Inventor: John G. Schoonover, 6840 Rabbit Creek Rd., Anchorage, Ak. 99516**

[**] **Term: 14 Years**

[21] **Appl. No.: 842,399**

[22] **Filed: Mar. 10, 1986**

[52] **U.S. Cl. D6/505**

[58] **Field of Search D6/389, 390, 506, 507, D6/508**

[56] **References Cited**

U.S. PATENT DOCUMENTS

D. 34,512	5/1901	Farley	D6/508
D. 178,825	9/1956	Bornhuetter	D6/507
D. 198,561	7/1964	Kupchick	D6/508
D. 249,735	9/1978	Nelson	D6/508 X
D. 264,780	6/1982	McCarthy	D6/508

OTHER PUBLICATIONS

PVC Pipefurniture book, ©1985, by Baldwin et al, p. 19, Headboard.

Primary Examiner—Bruce W. Dunkins

Assistant Examiner—Janice Seeger

Attorney, Agent, or Firm—Evenson, Wands, Edwards, Lenahan & McKeown

[57] **CLAIM**

The ornamental design for a headboard for a bed, as shown and described.

DESCRIPTION

FIG. 1 is a front perspective view of the headboard for a bed showing my new design; and FIG. 2 is a front elevational view thereof. The rear of the headboard, not shown, is a mirror image of the front.

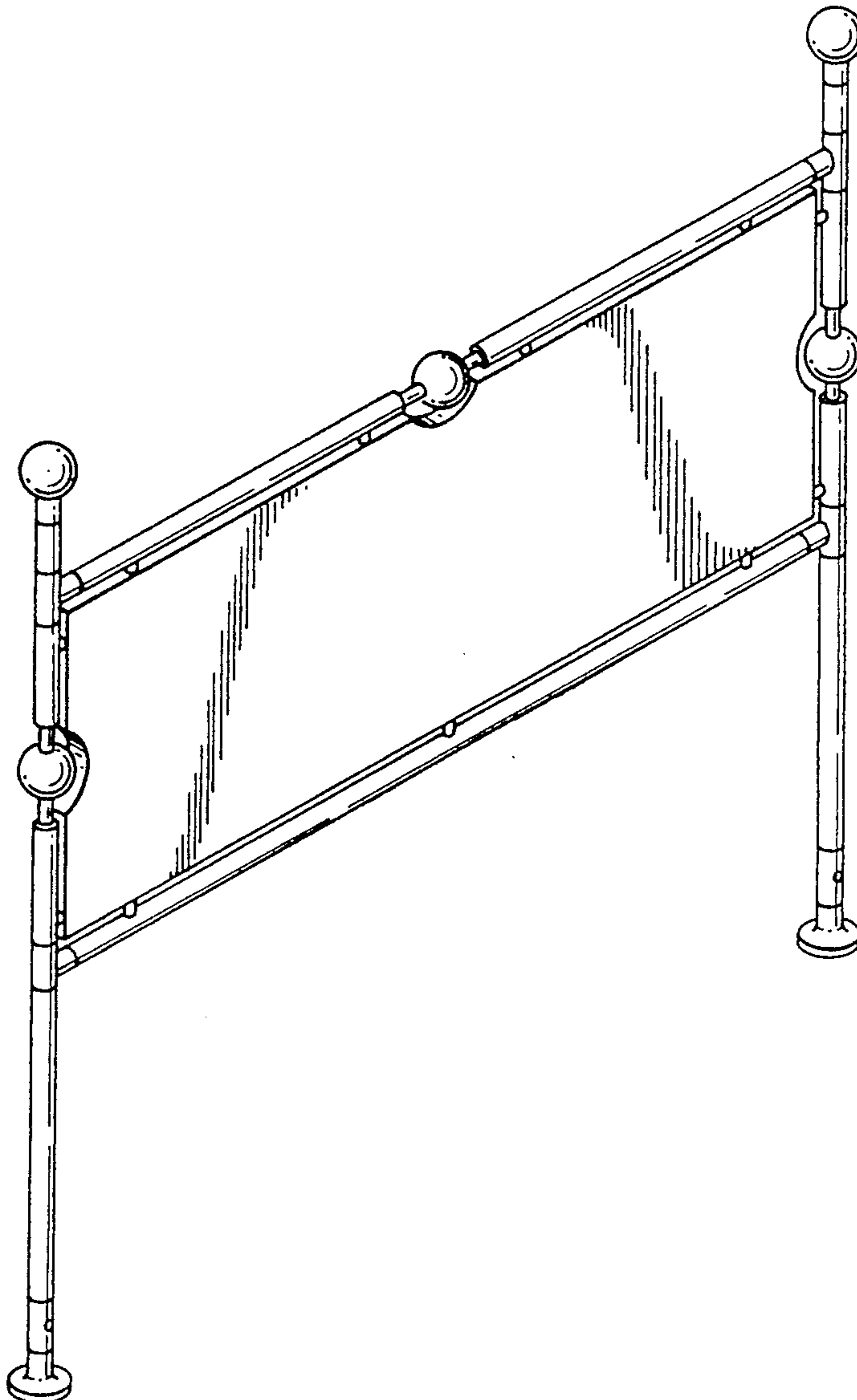


FIG. 1

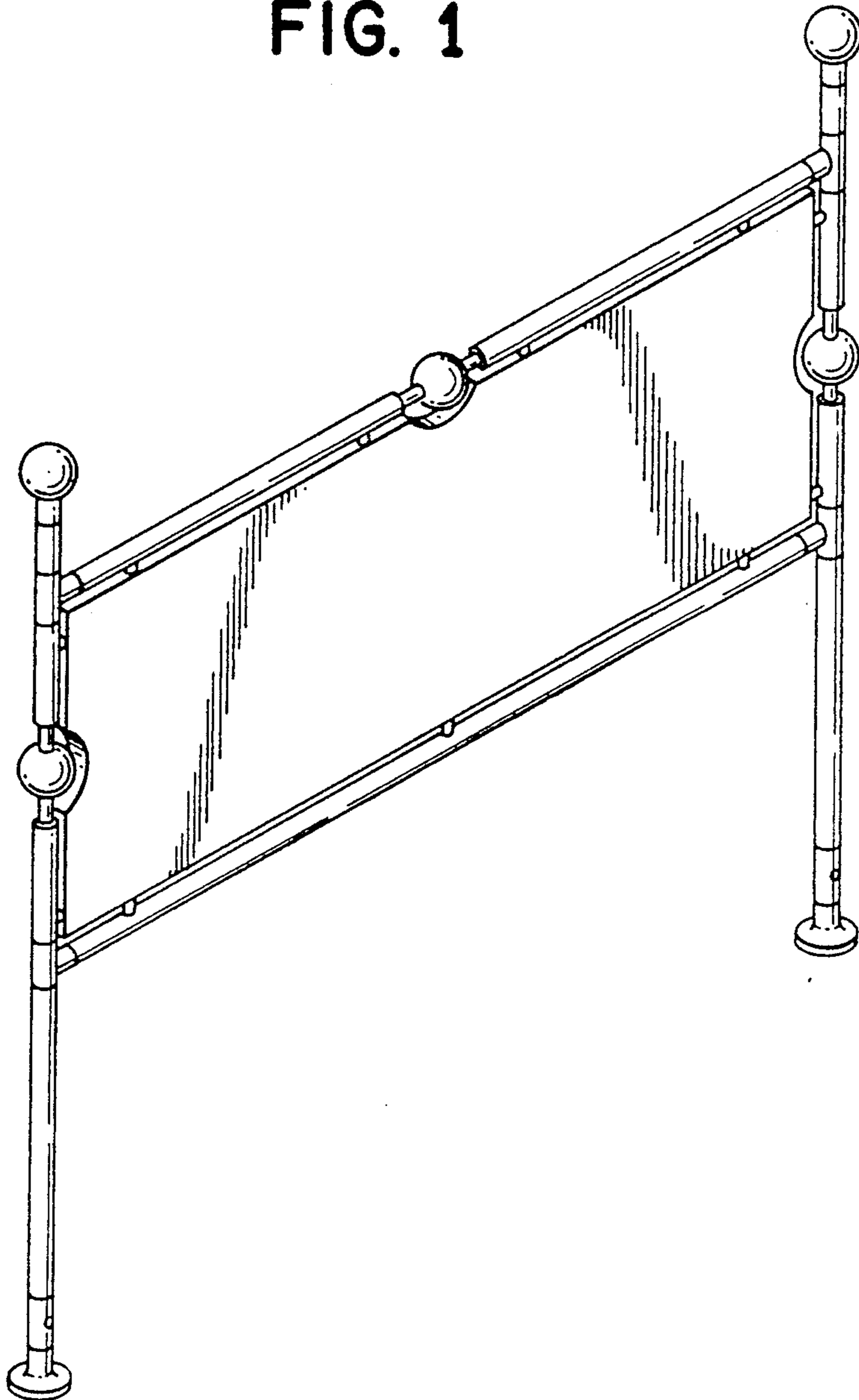


FIG. 2

