

[54] **NEWSPAPER VENDING BIN OR SIMILAR ARTICLE**

3,180,518 4/1965 Roser 221/155
 4,544,081 10/1985 Voegeli .
 4,708,409 11/1987 Voegli D20/6 X

[75] **Inventor: Milton J. Merl, New City, N.Y.**

[73] **Assignee: Gannett Co., Inc., Arlington, Va.**

[**] **Term: 14 Years**

[21] **Appl. No.: 85,413**

[22] **Filed: Aug. 14, 1987**

[52] **U.S. Cl. D6/408; D20/8; D6/396**

[58] **Field of Search D20/1, 2, 4, 5, 7, 8; 222/129.1, 75, 129.4, 24, 96, 155, 197; 194/205, 212, 255, 350; 221/39, 41, 60, 155, 216, 227, 236, 1, 8, 39, 54, 110; 248/127; 211/87, 59.2, 45, 49.1; D6/396-408**

[56] **References Cited**

U.S. PATENT DOCUMENTS

D. 213,532	3/1969	Yeo .	
D. 214,947	8/1969	Perkins .	
D. 219,479	0/1970	Perkins .	
D. 273,019	3/1984	Chalabian .	
D. 273,020	8/1984	Chalabian .	
D. 273,021	3/1984	Chalabian .	
D. 273,022	3/1984	Chalabian .	
D. 273,023	3/1984	Chalabian .	
D. 273,123	3/1984	Gore .	
D. 273,203	3/1984	Gore .	
D. 273,595	3/1984	Gore .	
D. 273,686	3/1984	Gore .	
D. 287,030	12/1986	Chalabian	D20/6
D. 287,605	1/1987	Chalabian	D20/6
1,108,164	8/1914	Glines	221/155
1,334,299	3/1920	Germain	221/41
2,858,047	10/1958	Williams et al.	221/227
3,042,250	7/1962	Watungton	221/41

OTHER PUBLICATIONS

Sho-Rack Brochure, Aug. 4, 1980 Cover page, lower left, back cover upper left.

Primary Examiner—James R. Largen
Attorney, Agent, or Firm—Cushman, Darby & Cushman

[57] **CLAIM**

The ornamental design for a newspaper vending bin or similar article, as shown and described.

DESCRIPTION

FIG. 1 is a perspective view taken from the top, front and left side of a newspaper vending bin or similar article showing my new design;

FIG. 2 is an exploded perspective view taken from the top, front and left side thereof;

FIG. 3 is another exploded perspective view taken from the bottom, front and right side thereof;

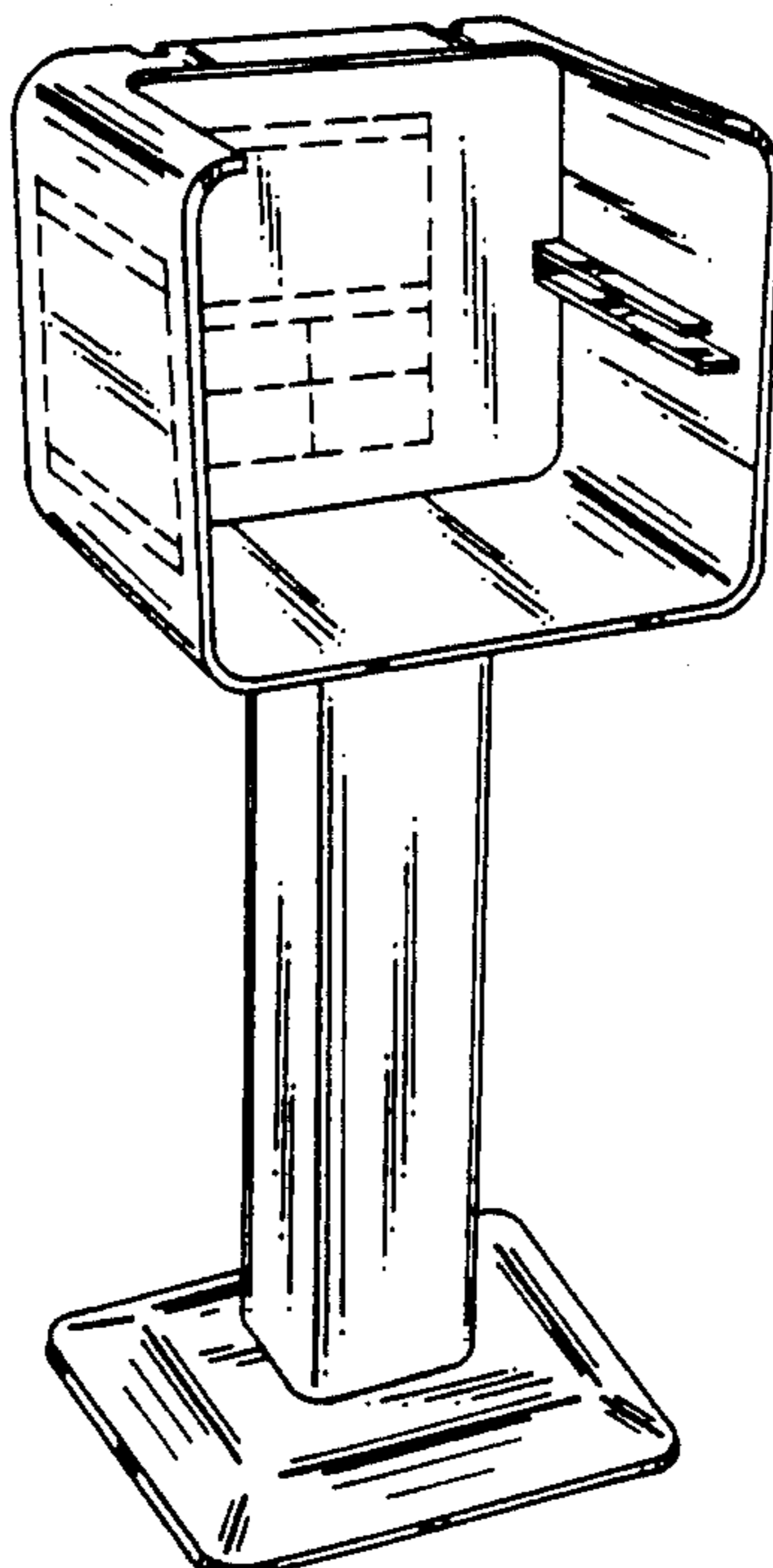
FIG. 4 is a perspective view taken from the bottom, front and right side of the bin unit thereof, with the inside rear panel omitted from convenience of illustration;

FIG. 5 is a perspective view taken from the top, front and left side of a second embodiment thereof;

FIG. 6 is a perspective view taken from the top, front and left side of a third embodiment thereof; and

FIG. 7 is a perspective view taken from the top, rear and left side of the bottom bin unit shown in FIG. 6 showing the posts for mounting the middle bin unit and the inside rear panel in an exploded position.

The broken line representation of areas for advertising indicia in FIGS. 1, 2, 5 and 6 is for purposes of illustration only and forms no part of the claimed design.



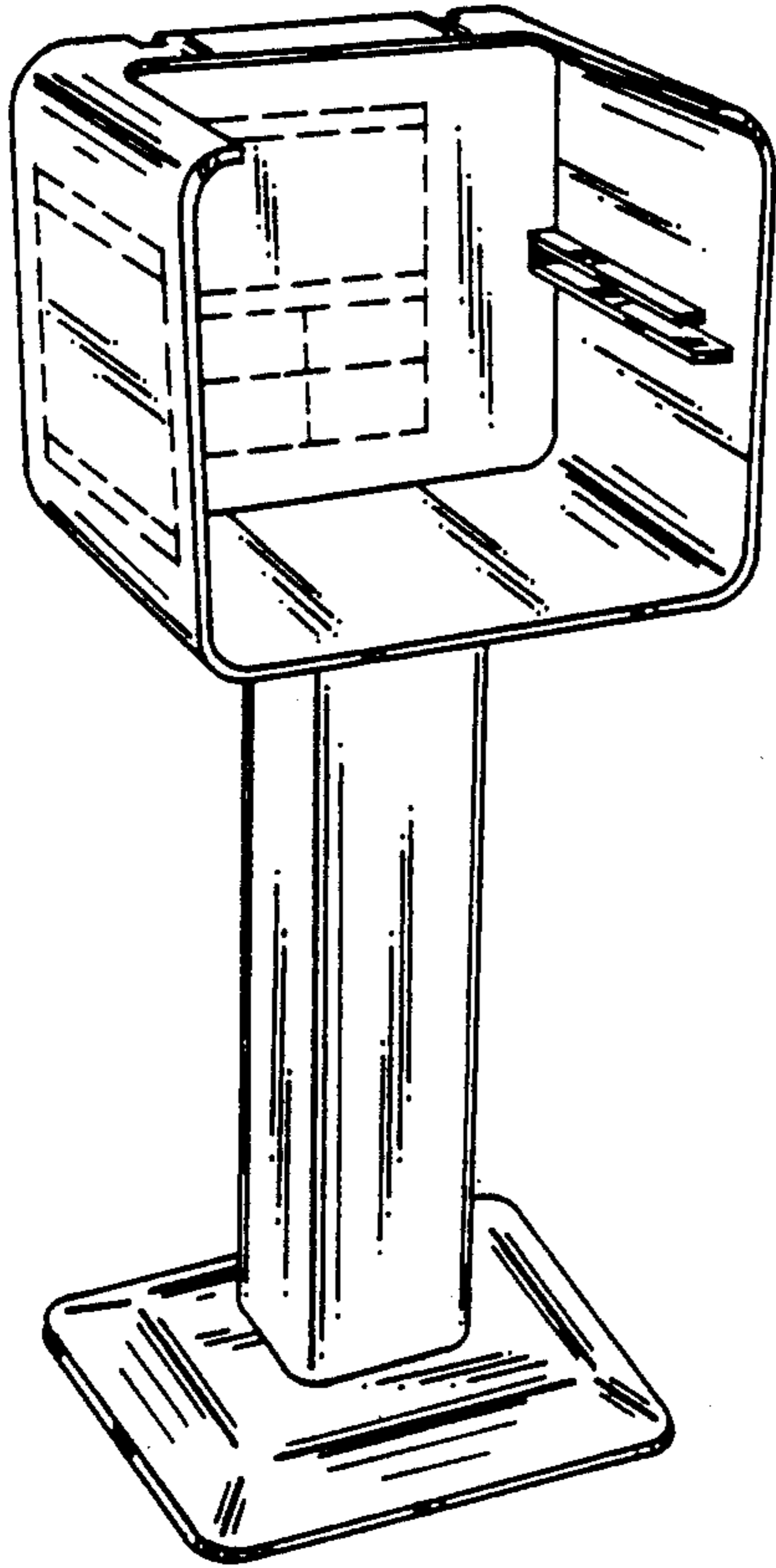


FIG. 1

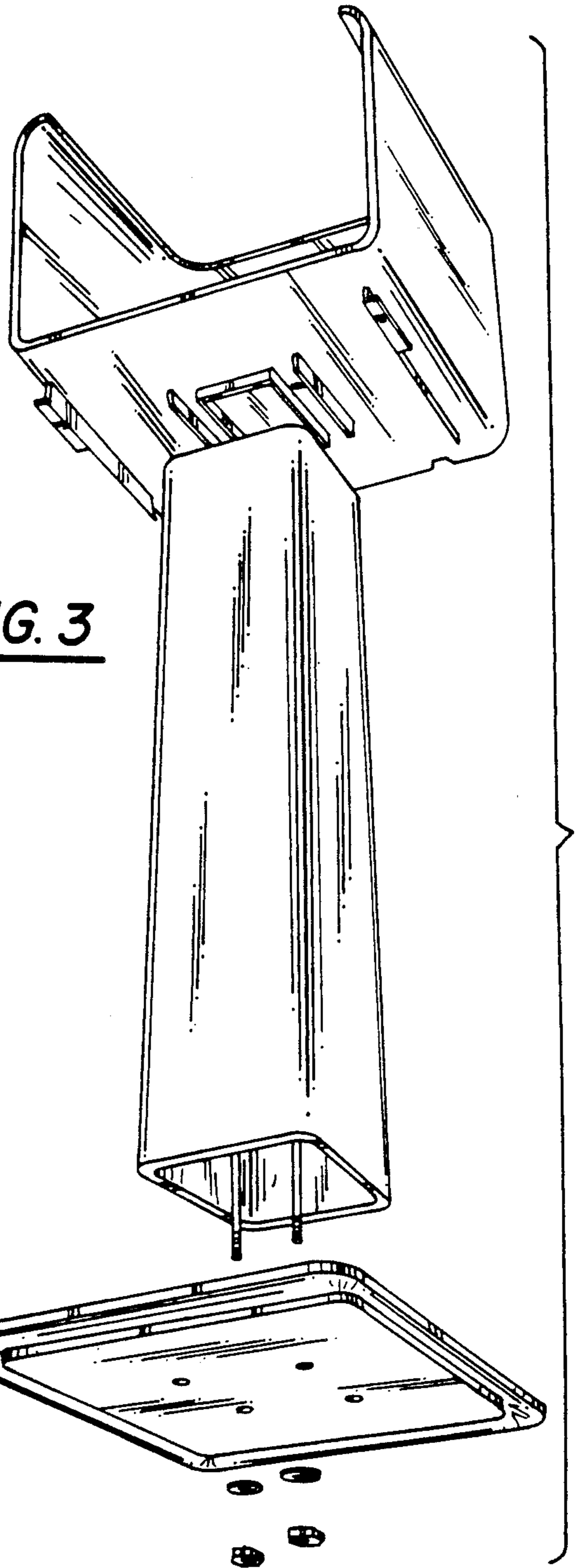


FIG. 3

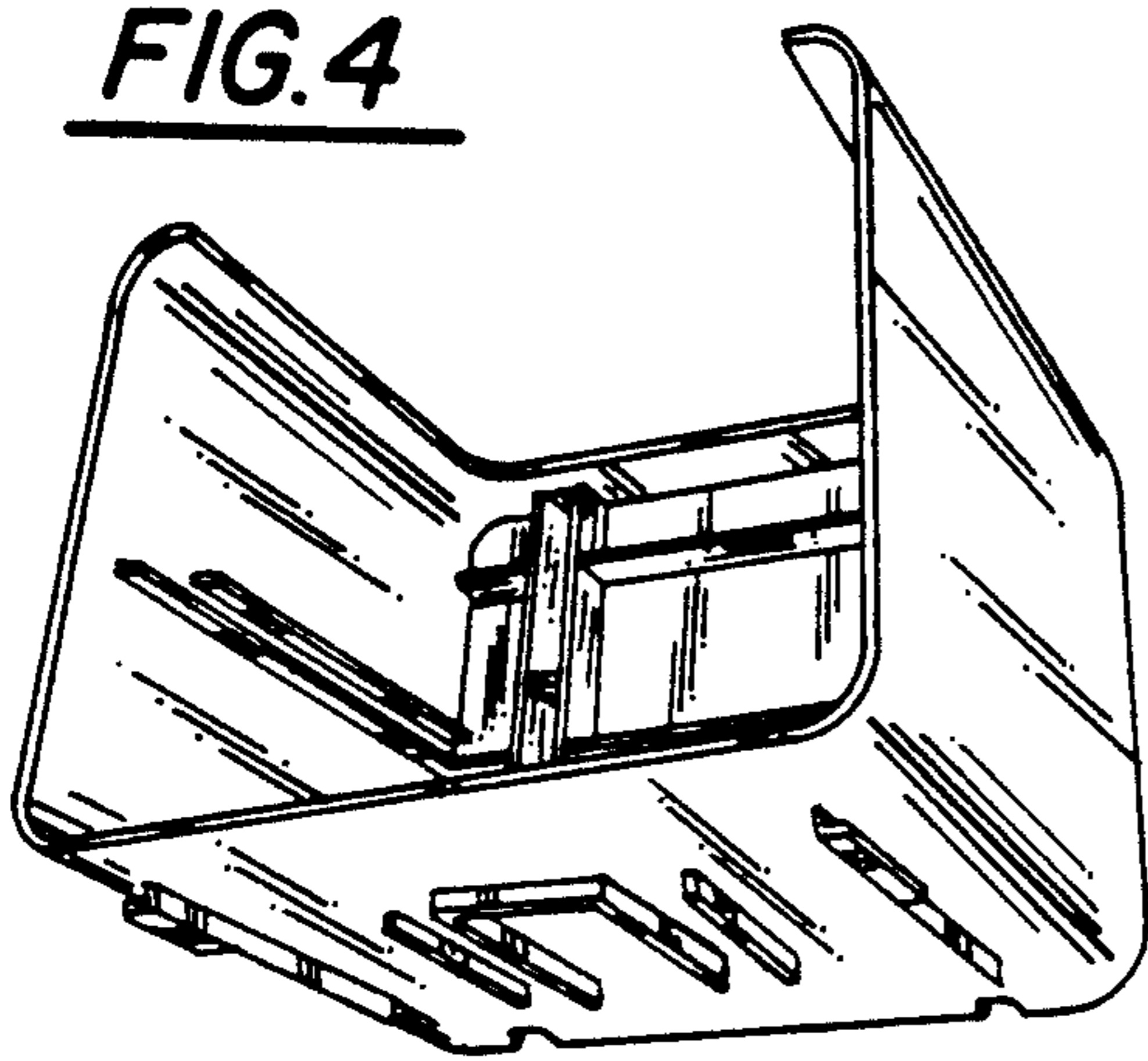


FIG. 4

FIG. 2

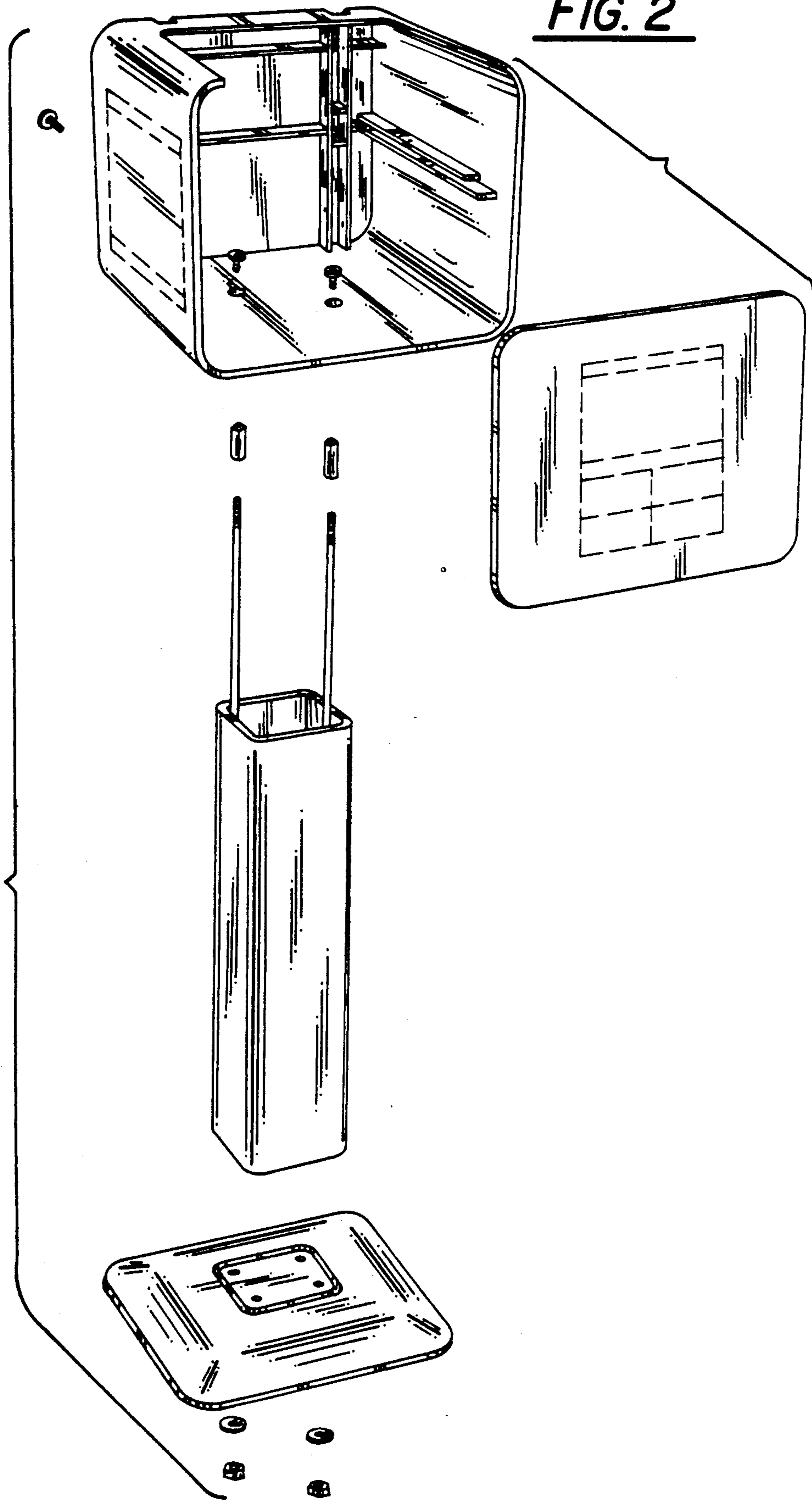


FIG. 5

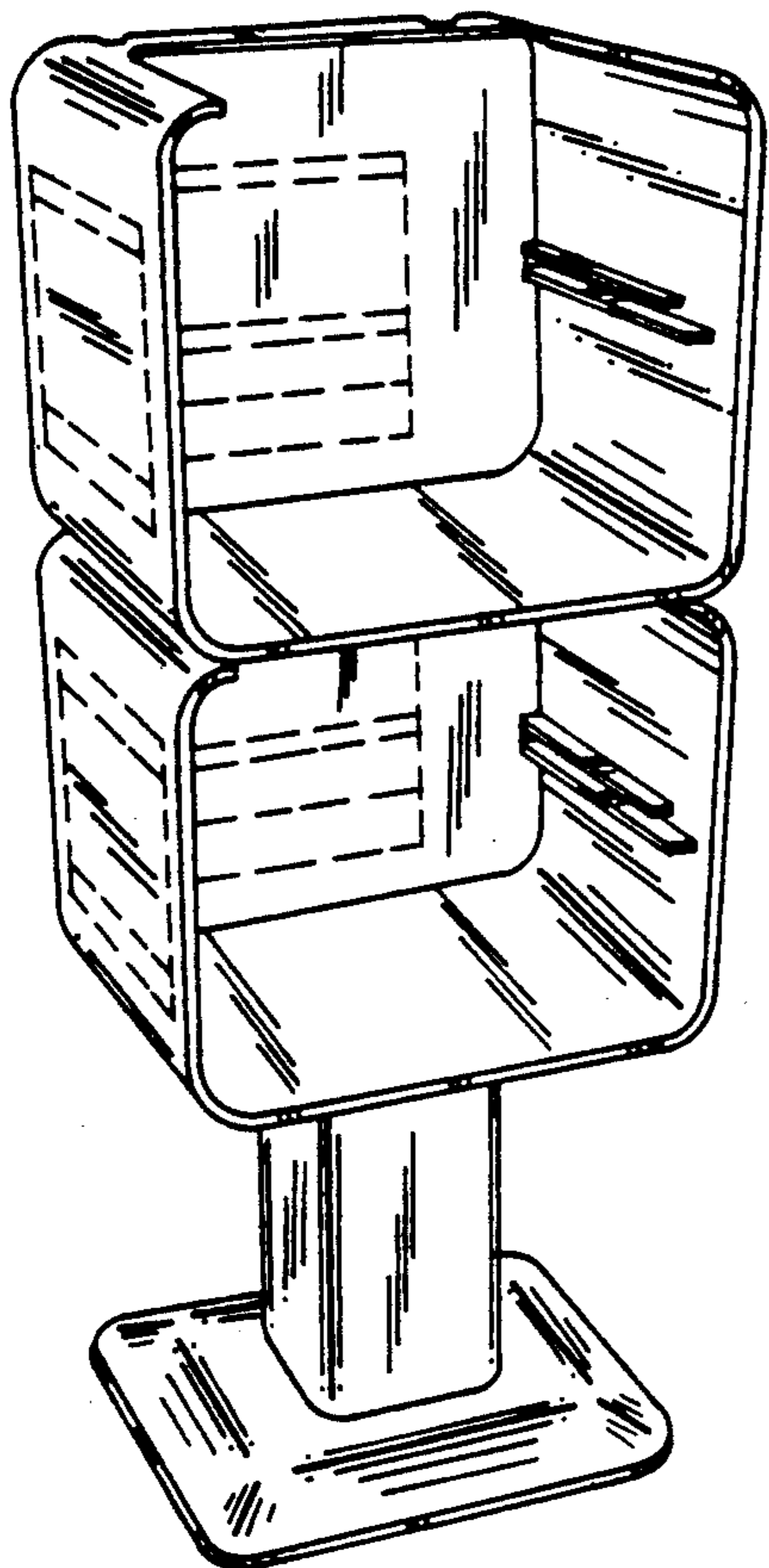


FIG. 6

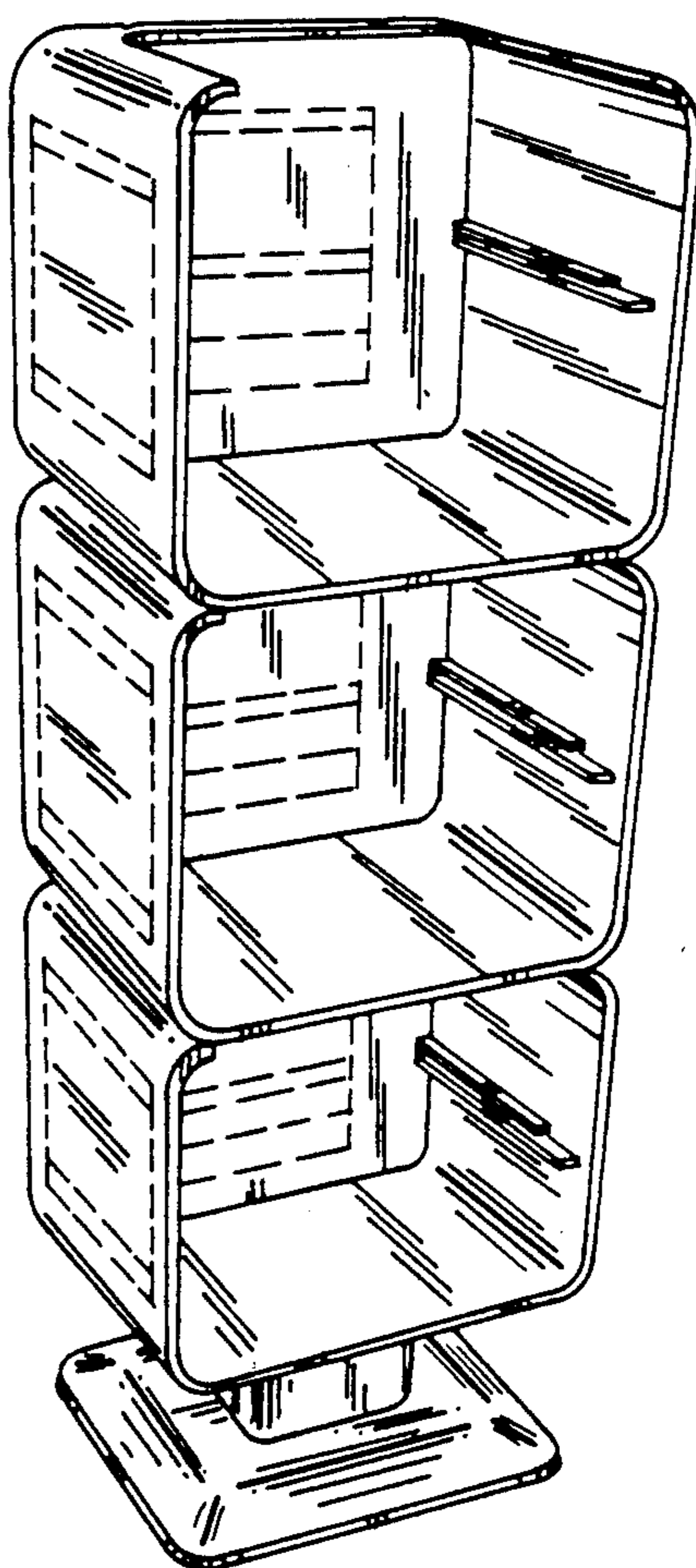


FIG. 7

