

[54] ARMCHAIR

[75] Inventor: Manfred Hubert, La Tronche, France
[73] Assignee: Allibert S.A., Grenoble, France
[**] Term: 14 Years
[21] Appl. No.: 149,096
[22] Filed: Jan. 27, 1988

[30] Foreign Application Priority Data

Jul. 27, 1987 [IB] Int'l Pat. Institute DM/009 013
[52] U.S. Cl. D6/395; D6/380
[58] Field of Search D6/370, 374, 375, 379, D6/380

[56] References Cited

U.S. PATENT DOCUMENTS

D. 274,770	7/1984	Massonnet	D6/375
D. 284,718	7/1986	Massonnet	D6/375
D. 287,673	1/1987	Verschuren	D6/375
D. 295,239	4/1988	Massonnet	D6/374
D. 304,001	10/1989	Grosfillex	D6/379

OTHER PUBLICATIONS

Design catalog, Jan. 1979, inside back cover, Chair, left center of page.
Schoner Wohnen, Apr. 1985, p. 202-6, Chair, top center.

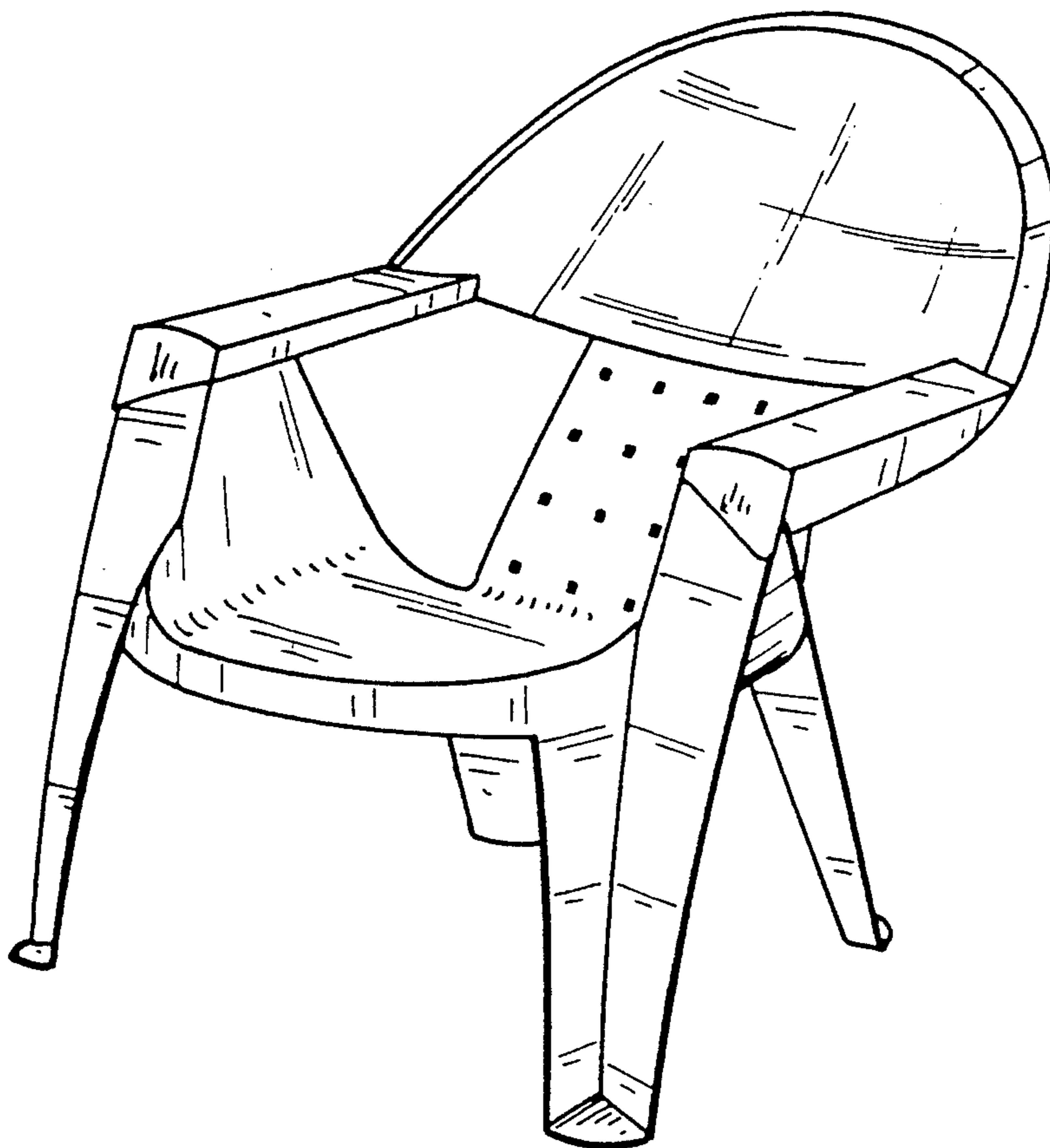
Primary Examiner—Bruce W. Dunkins
Assistant Examiner—Ann Hunt
Attorney, Agent, or Firm—Foley & Lardner, Schwartz, Jeffery, Schwaab, Mack, Blumenthal & Evans

[57] CLAIM

The ornamental design for an armchair, as shown and described.

DESCRIPTION

FIG. 1 is a front perspective view of the armchair showing my new design,
FIG. 2 is a front elevational view,
FIG. 3 is a side elevational view, the opposite side view being a mirror image thereof,
FIG. 4 is a rear elevational view,
FIG. 5 is a top plan view; and
FIG. 6 is a bottom plan view thereof.



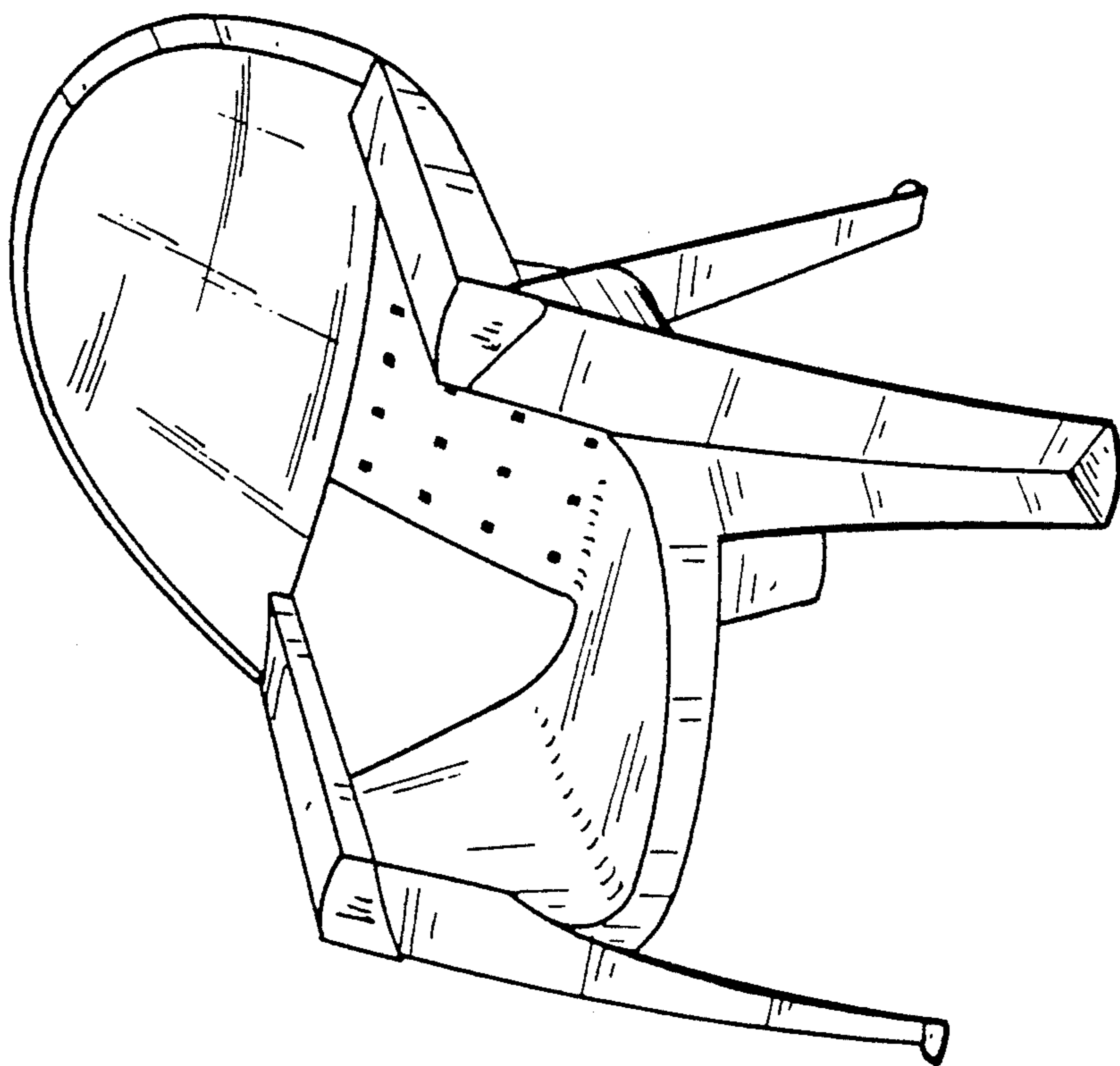


FIG. 1

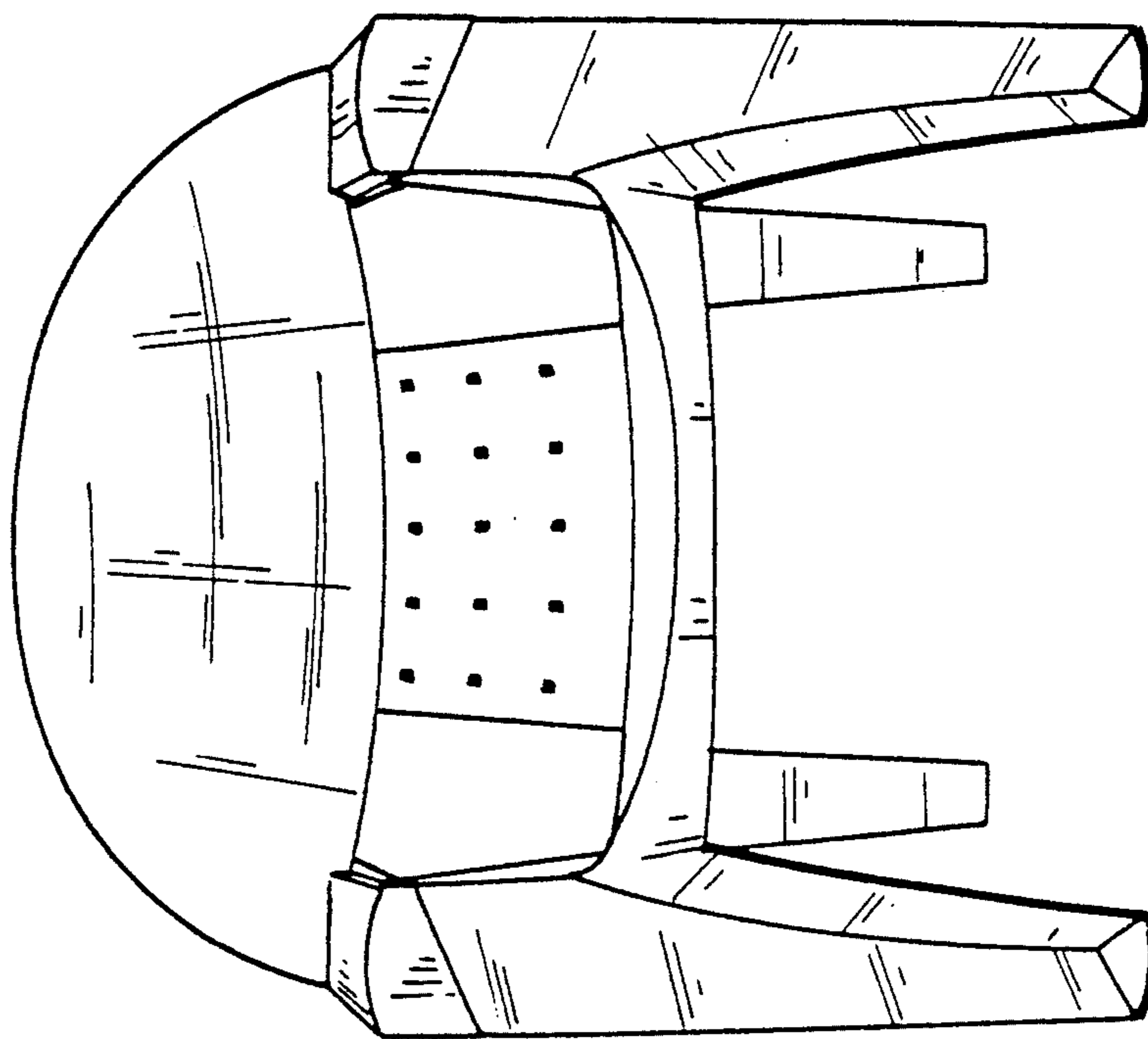


FIG. 2

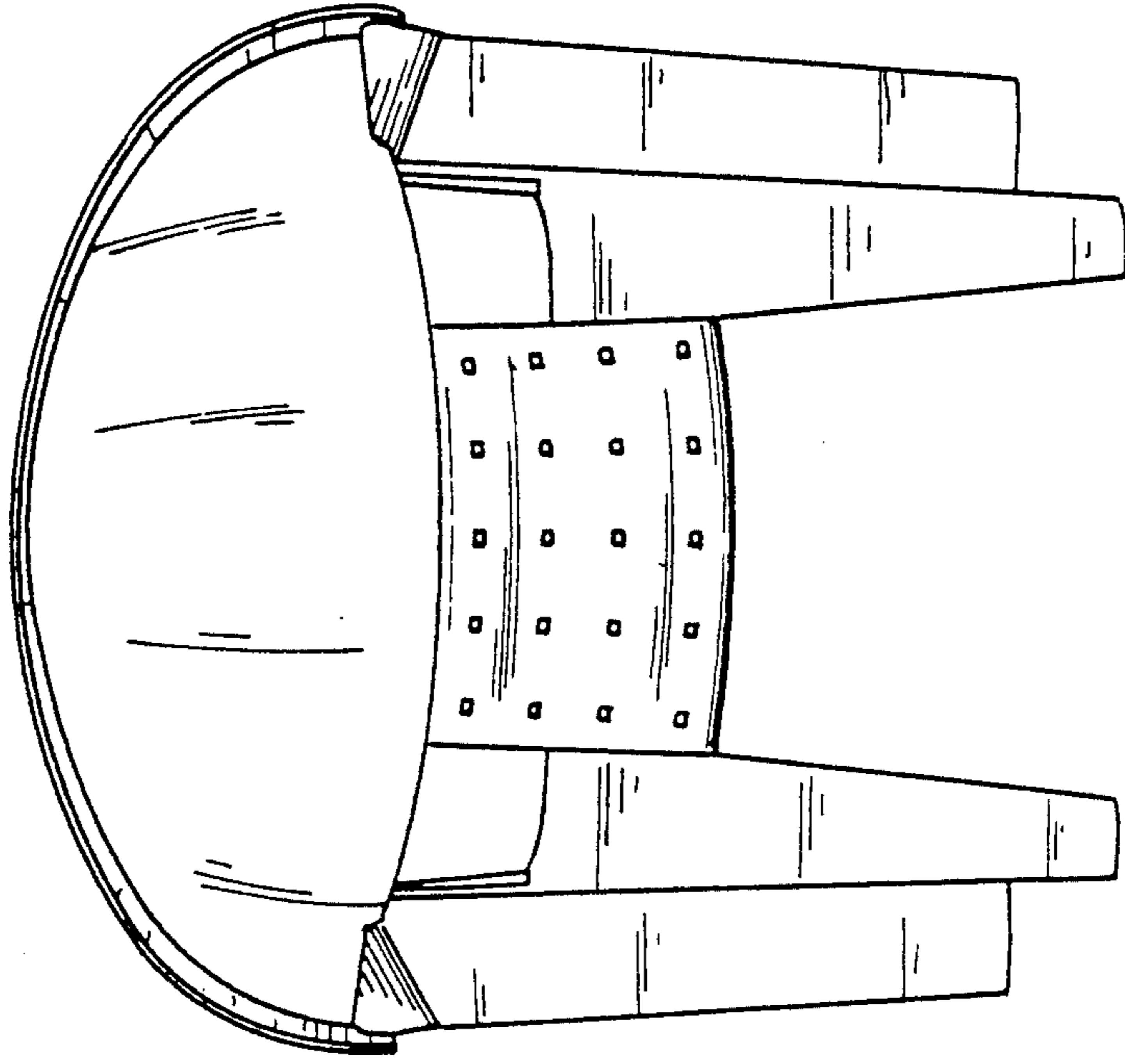


FIG. 4

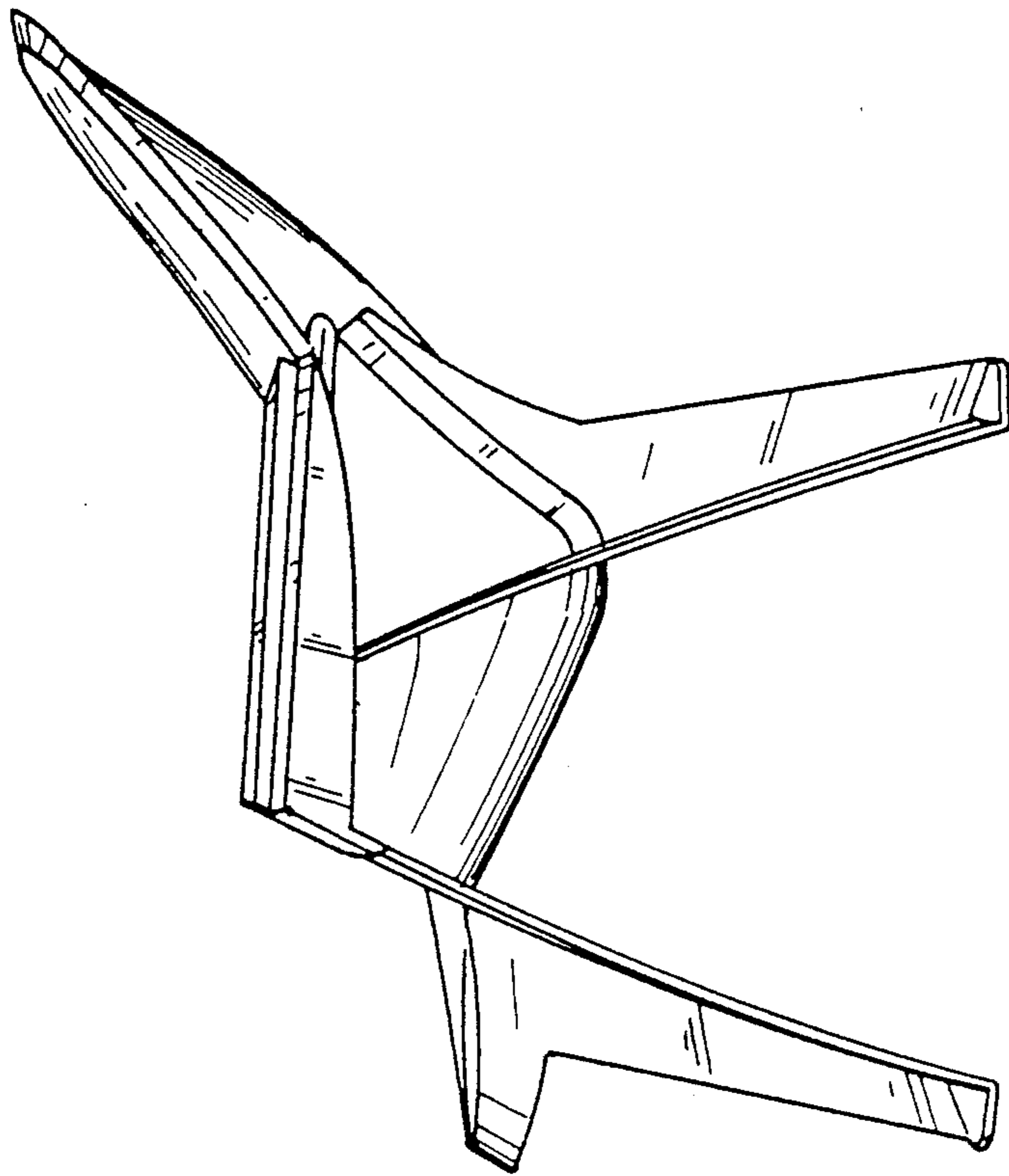


FIG. 3

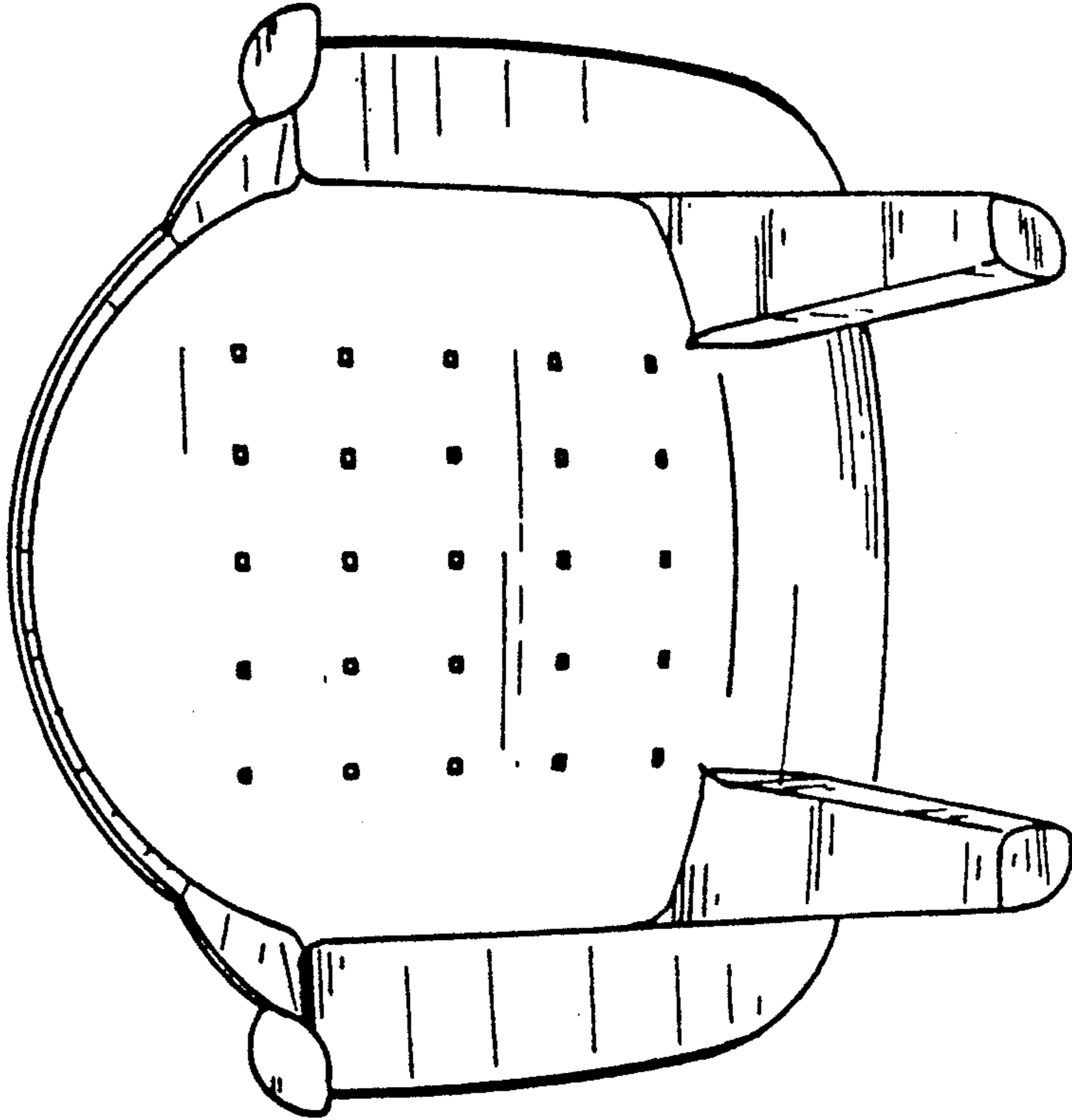


FIG. 6

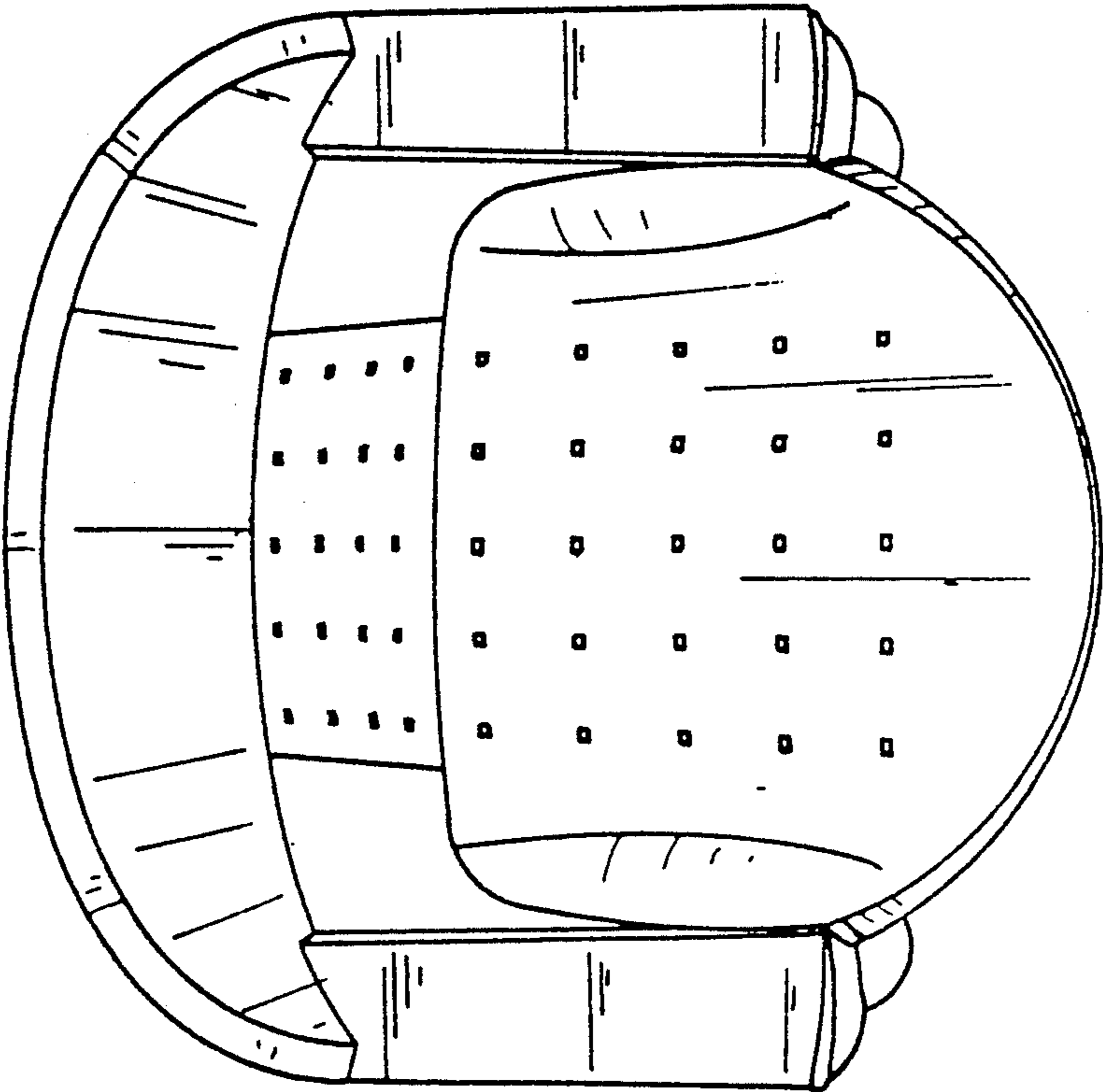


FIG. 5