

United States Patent [19]
Bridges

[11] **Patent Number: Des. 315,057**
 [45] **Date of Patent: ** Mar. 5, 1991**

[54] **STORAGE AND DISPLAY CASE FOR TOOLS**
 [75] **Inventor: John A. Bridges, Nashville, Tenn.**
 [73] **Assignee: Aladdin Industries Inc., Nashville, Tenn.**
 [**] **Term: 14 Years**
 [21] **Appl. No.: 273,880**
 [22] **Filed: Nov. 21, 1988**
 [52] **U.S. Cl. D3/74; D3/78**
 [58] **Field of Search D3/73, 74, 78, 30.1; 206/378, 45.23, 564, 373, 563, 534, 372; 190/109, 111; D6/308; D9/420; D28/83; 220/338**

3,669,035 6/1972 Grossman .
 3,913,711 10/1975 Schmid 206/45.23 X
 4,131,203 12/1978 Bridges .
 4,160,570 7/1979 Bridges .
 4,380,293 4/1983 Wilcox et al. 206/564
 4,615,445 10/1986 Stocchiero 206/45.23 X
 4,802,605 2/1989 Salmon et al. 220/338

Primary Examiner—Louis S. Zarfaz
Assistant Examiner—M. N. Pandozzi
Attorney, Agent, or Firm—Sandler, Greenblum & Bernstein

[57] **CLAIM**
 The ornamental design for a storage and display case for tools, as shown and described.

[56] **References Cited**
U.S. PATENT DOCUMENTS
 D. 255,038 5/1980 Itakura D28/83
 D. 260,305 8/1981 MacGregor et al. D6/308
 D. 262,579 1/1982 Dehaseth D28/83
 D. 291,387 8/1987 Egly D3/78 X
 1,989,159 1/1935 Shiftman et al. 206/45.23
 2,527,161 10/1950 Tyll 206/372
 3,381,636 5/1968 Saiberlich .
 3,587,517 6/1971 Fites 206/534

DESCRIPTION
 FIG. 1 is a perspective view of a storage and display case for tools showing my new design in open display position;
 FIG. 2 is a top plan view in closed position;
 FIG. 3 is a bottom plan view thereof;
 FIG. 4 is a left side elevational view thereof;
 FIG. 5 is a right side elevational view thereof;
 FIG. 6 is a front elevational view thereof;
 FIG. 7 is a rear elevational view thereof.

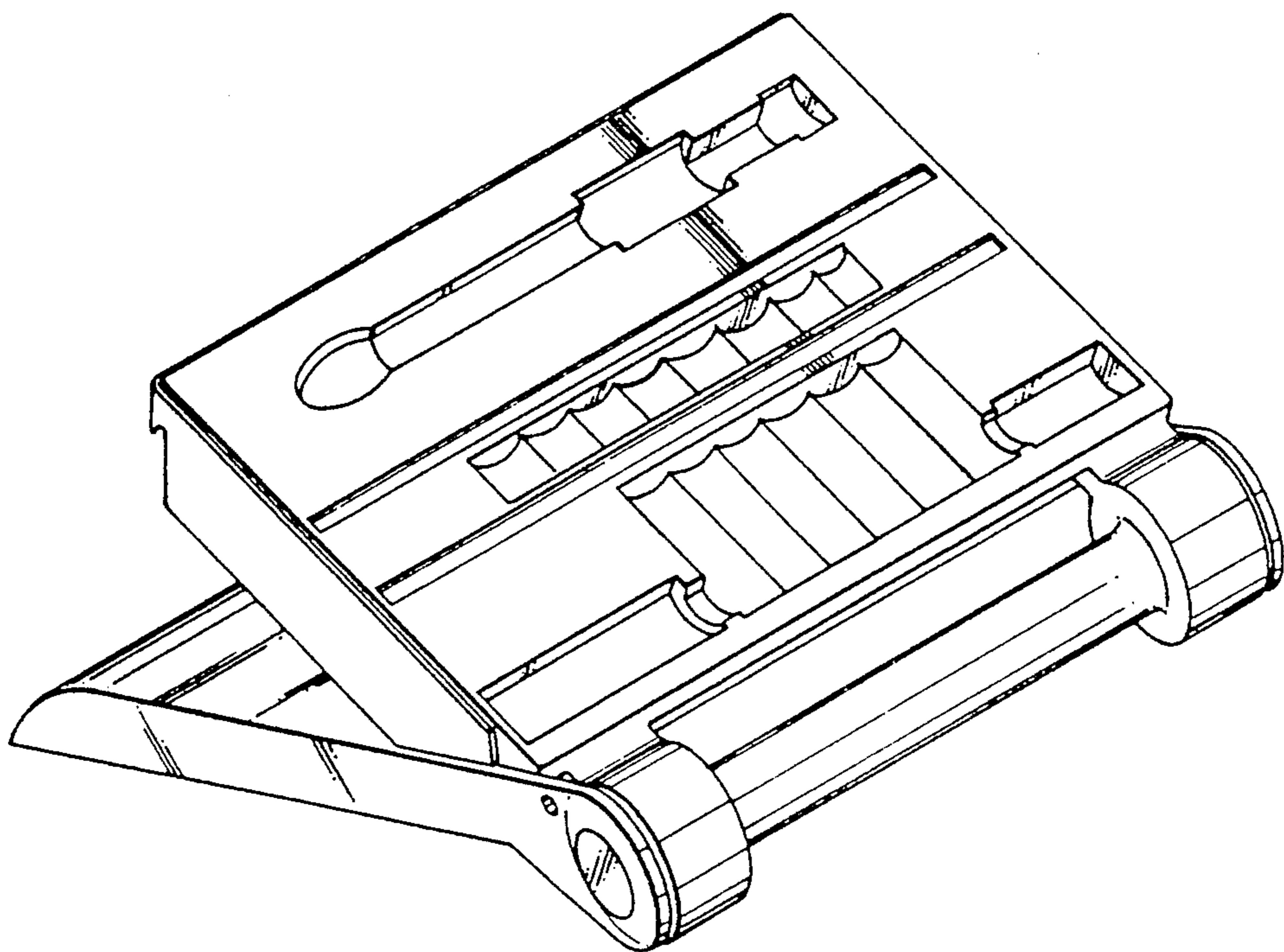


Fig. 1

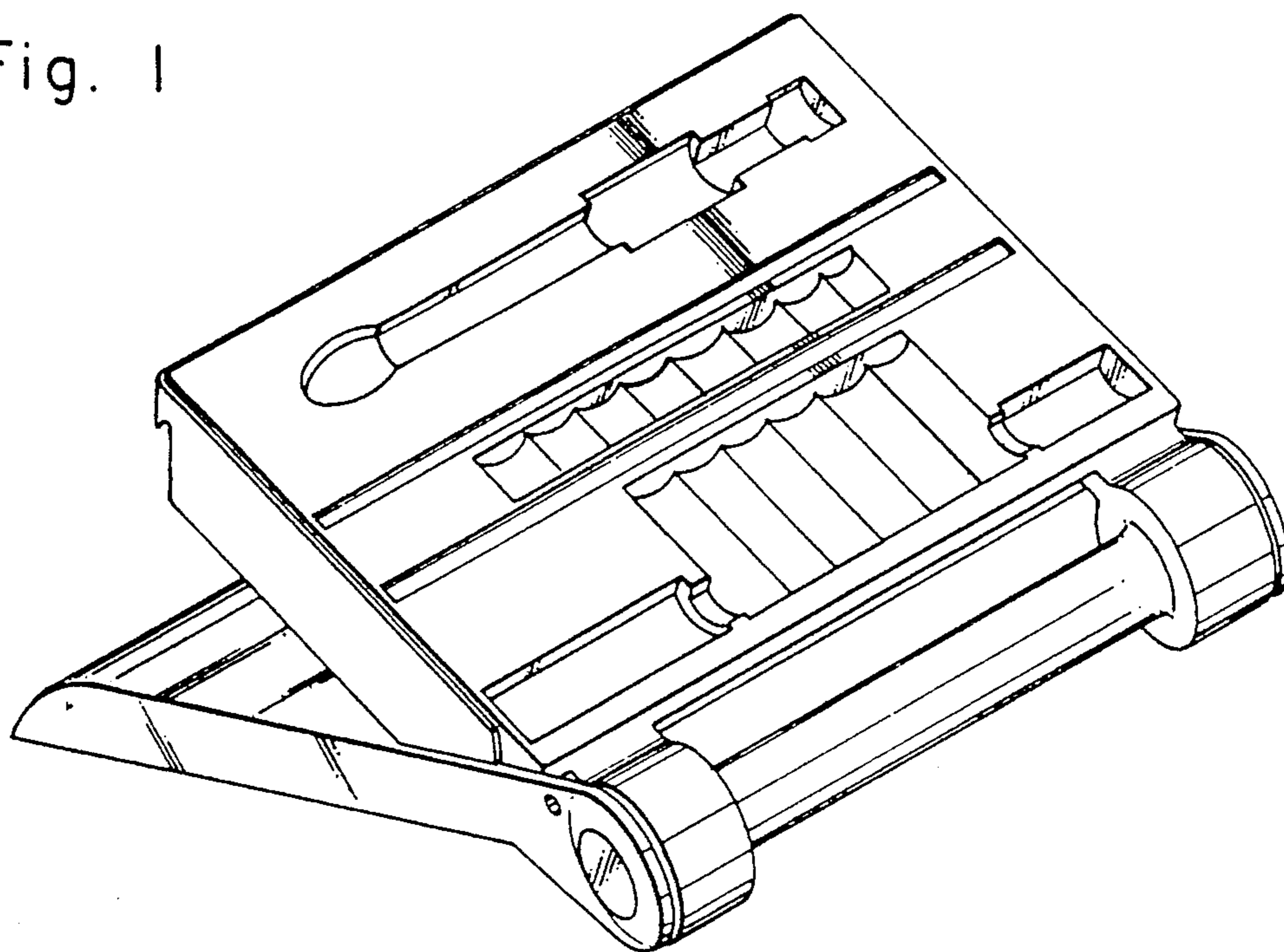
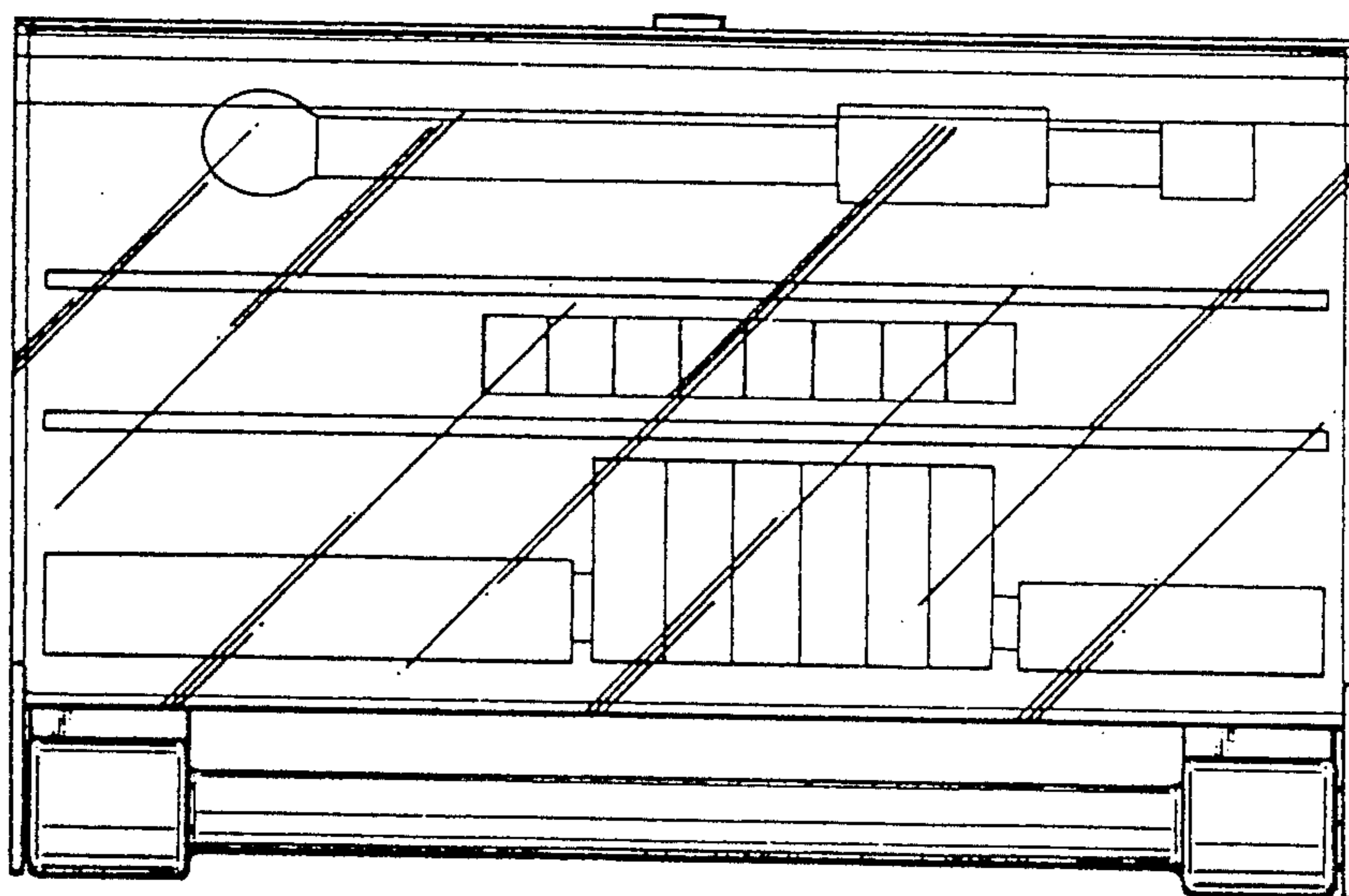


Fig. 2



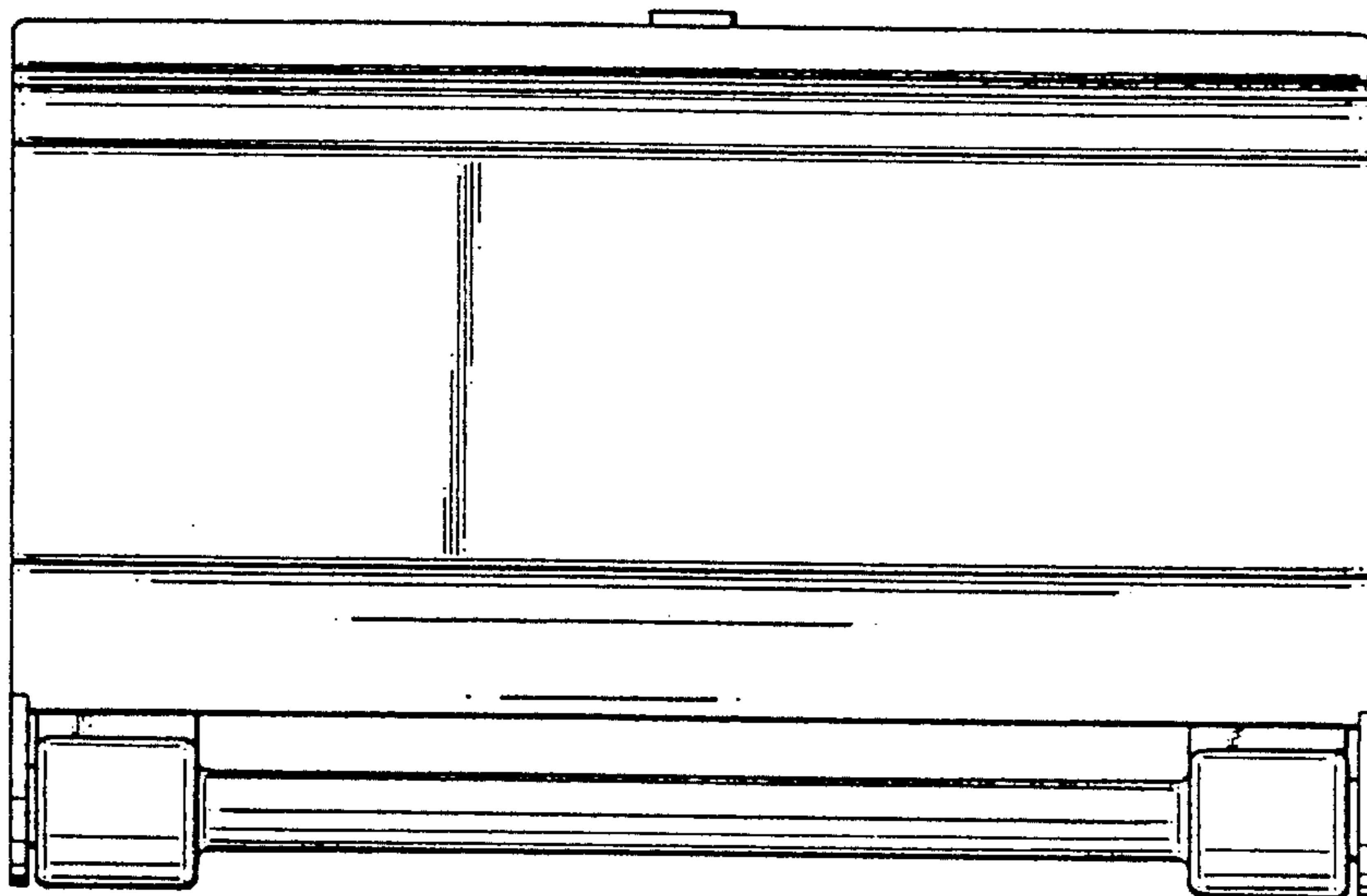


Fig. 3

Fig. 4

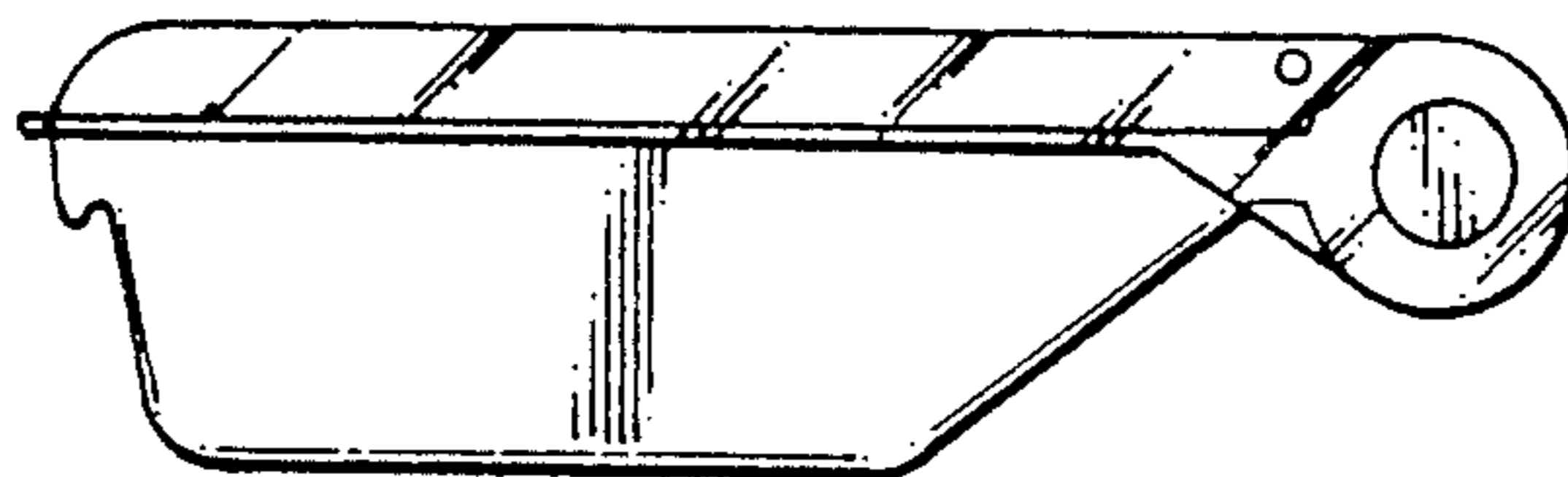


Fig. 5

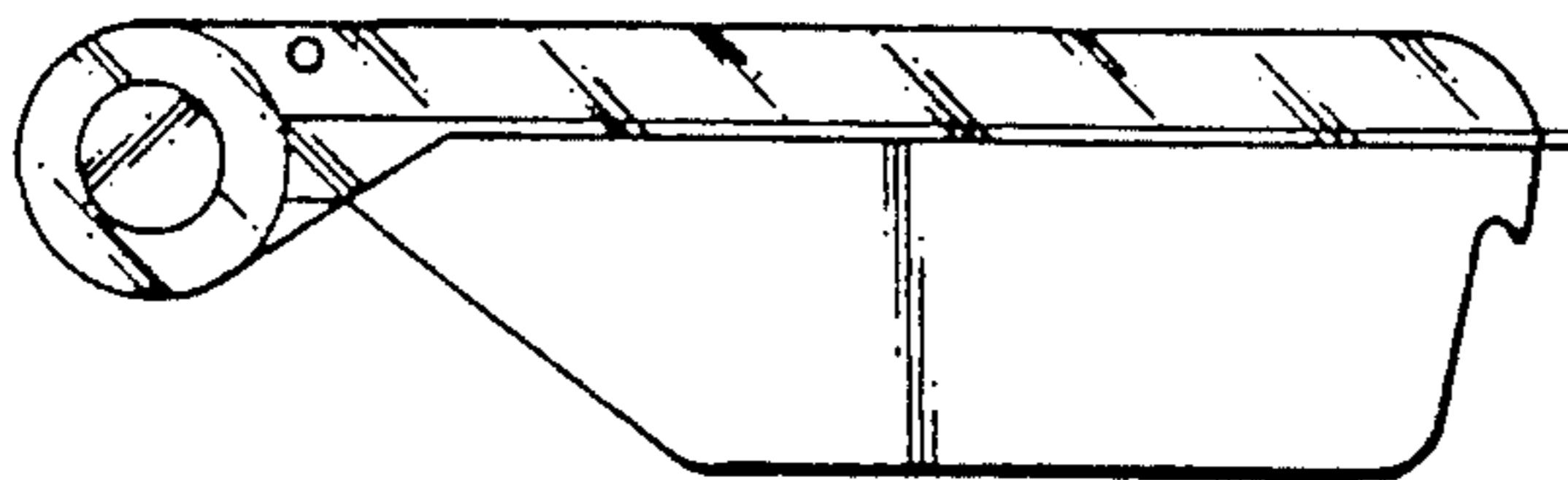


Fig. 6

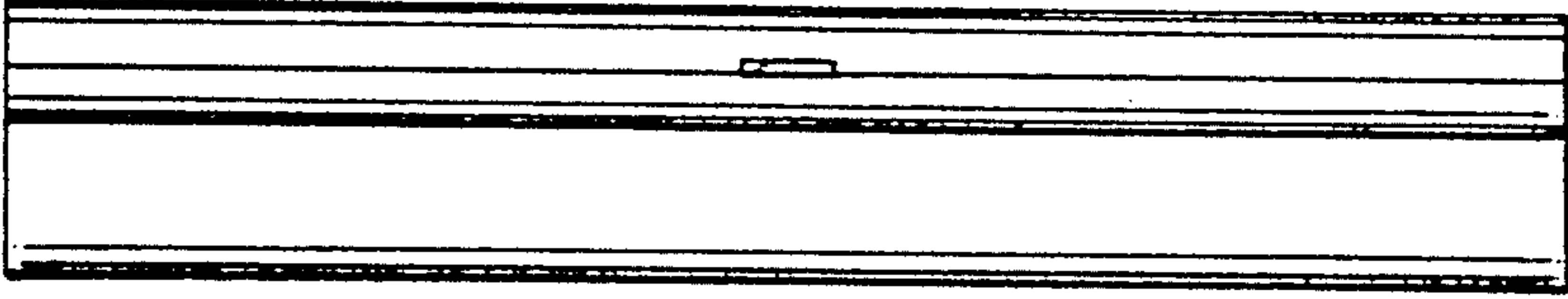


Fig. 7

