

[54] CENTRAL VACUUM SYSTEM HOSE HANDLE

[76] Inventor: Theodore R. Hayden, 10291 Springhill Crescent, Richmond, British Columbia, Canada, V7E 1W7

[**] Term: 14 Years

[21] Appl. No.: 226,959

[22] Filed: Aug. 1, 1988

[52] U.S. Cl. D32/34

[58] Field of Search D32/25, 31-34; 285/7; D23/262-263, 266; 15/312 A, 314, 318, 339-340, 410-411, 415 R, 415 A, 416, 418-422, 143 R, 145, DIG. 10; 439/191

[56] References Cited

U.S. PATENT DOCUMENTS

- D. 209,810 1/1968 Bowers et al. D32/34
- D. 212,711 11/1968 McLane D32/34

- D. 215,490 9/1969 Descarries D32/34
- D. 240,791 8/1976 Bednarski et al. D32/34
- D. 293,498 12/1987 Traylor, Jr. D32/31
- 4,826,444 5/1989 Genoa et al. 439/191

Primary Examiner—A. Hugo Word
Assistant Examiner—Ruth McInroy
Attorney, Agent, or Firm—Fetherstonhaugh & Co.

[57] CLAIM

The ornamental design for a central vacuum system hose handle, as shown and described.

DESCRIPTION

FIG. 1 is a top, front and left side perspective view of a central vacuum system hose handle showing my new design;
FIG. 2 is a left side elevational view thereof;
FIG. 3 is a rear elevational view thereof;
FIG. 4 is a front elevational view thereof;
FIG. 5 is a right side elevational view thereof;
FIG. 6 is a top plan view thereof; and
FIG. 7 is a bottom plan view thereof.

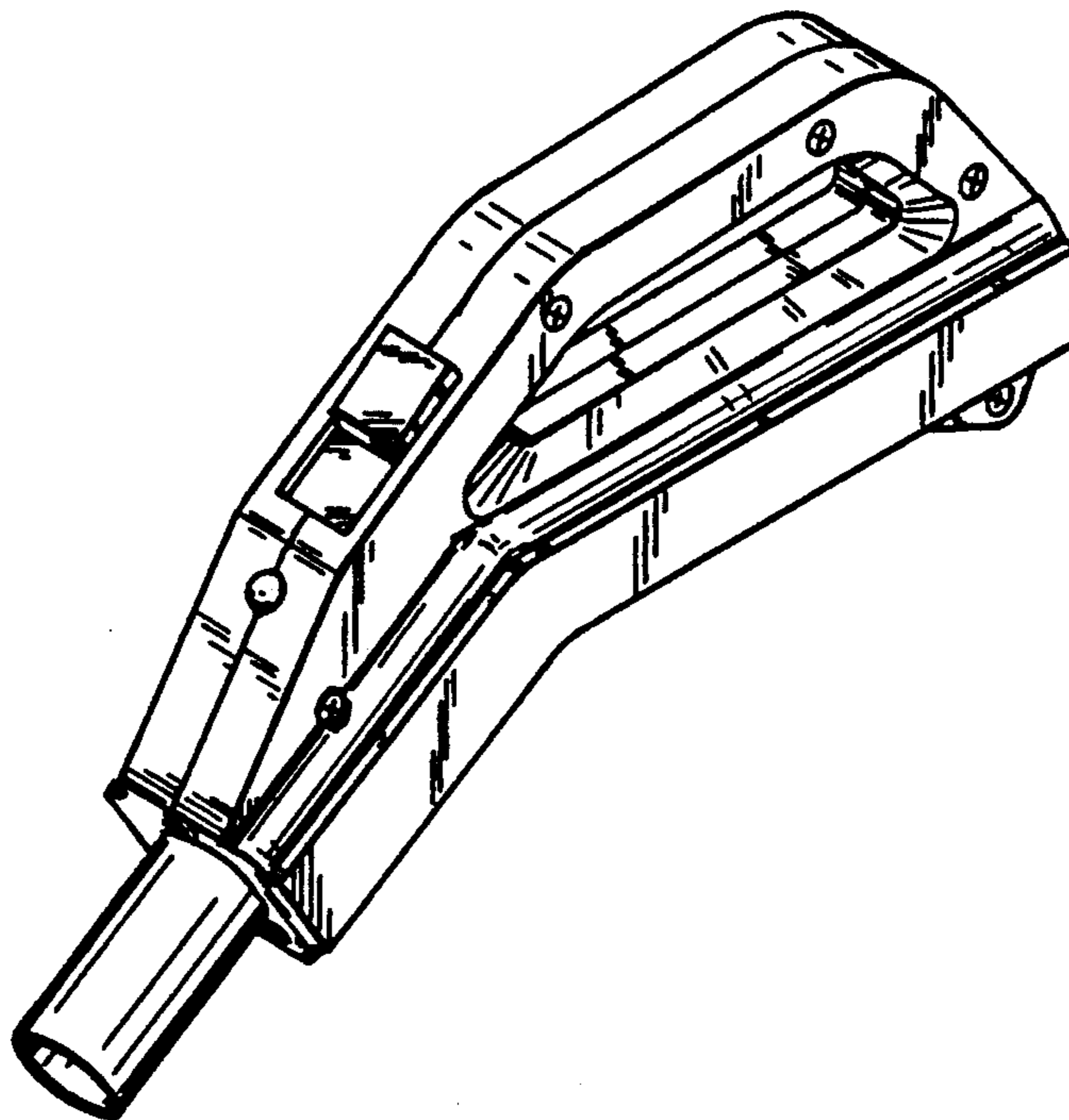


Fig. 1.

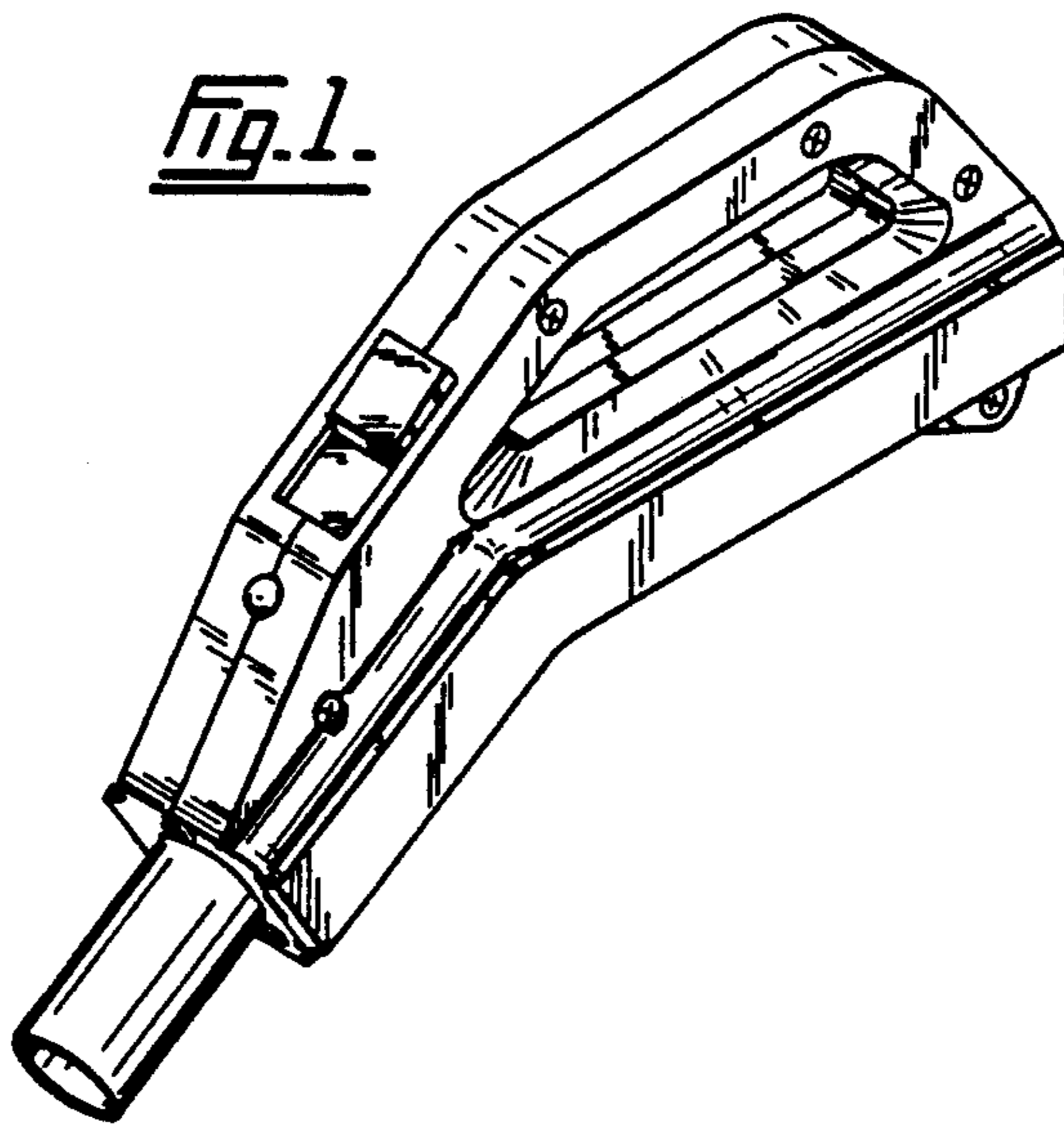


Fig. 3.

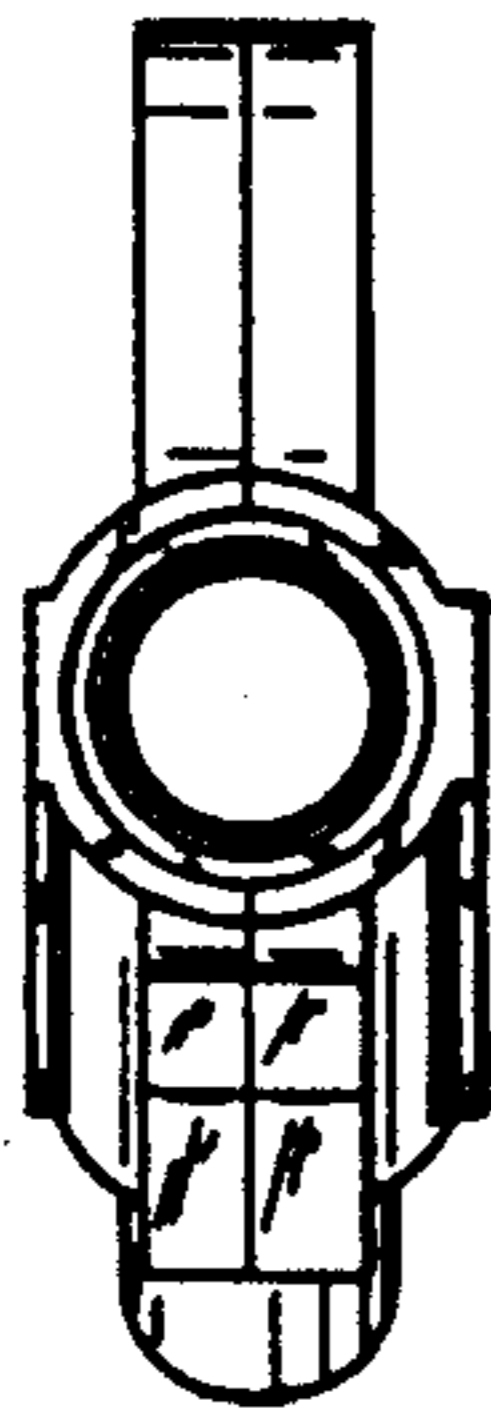


Fig. 2.

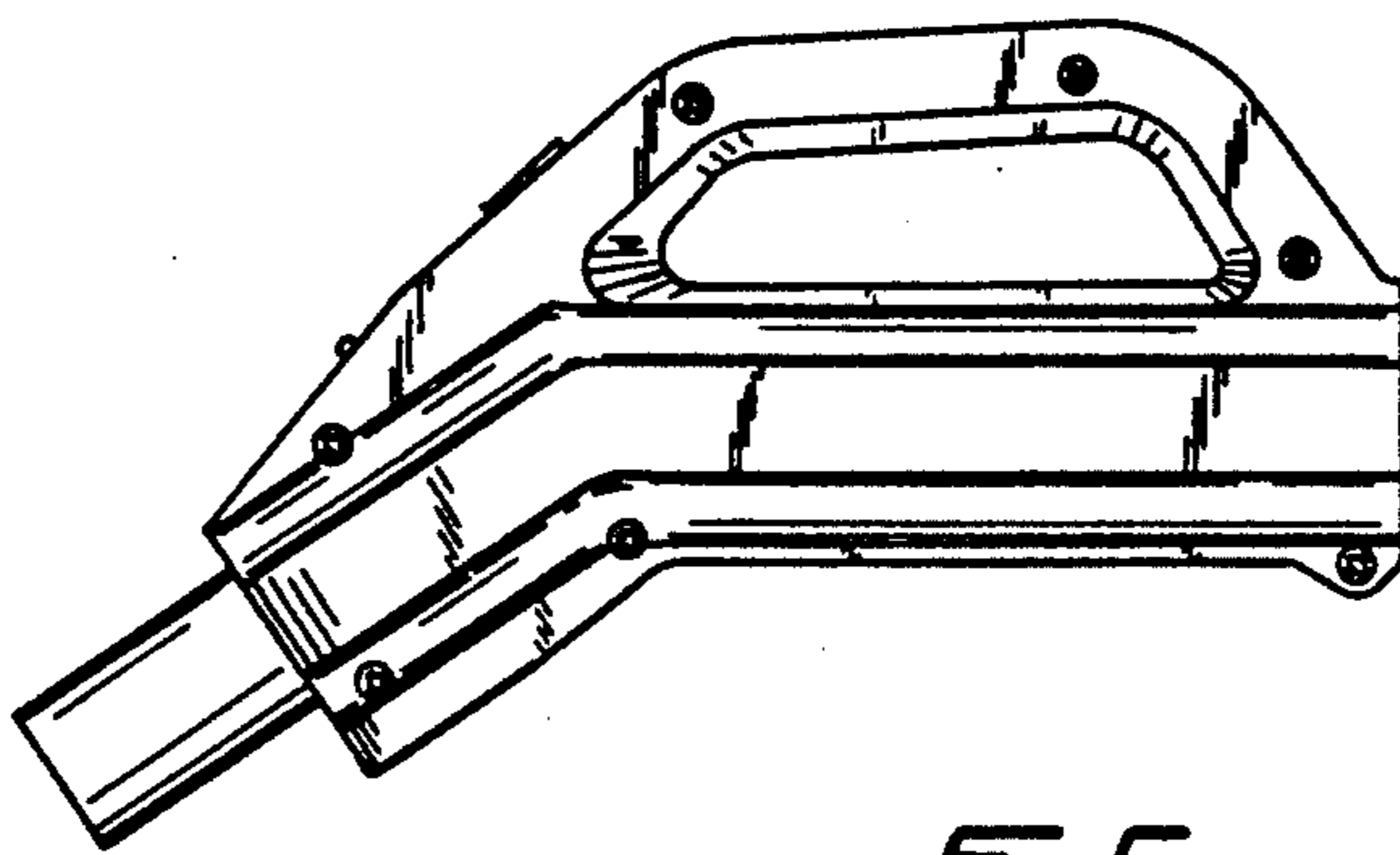


Fig. 4.

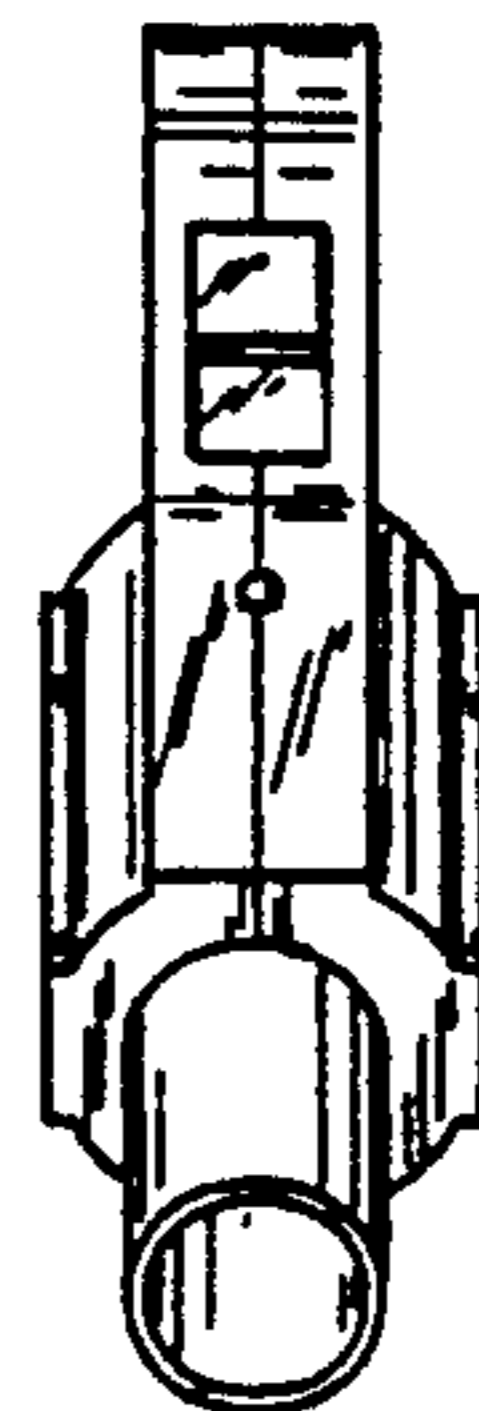


Fig. 5.

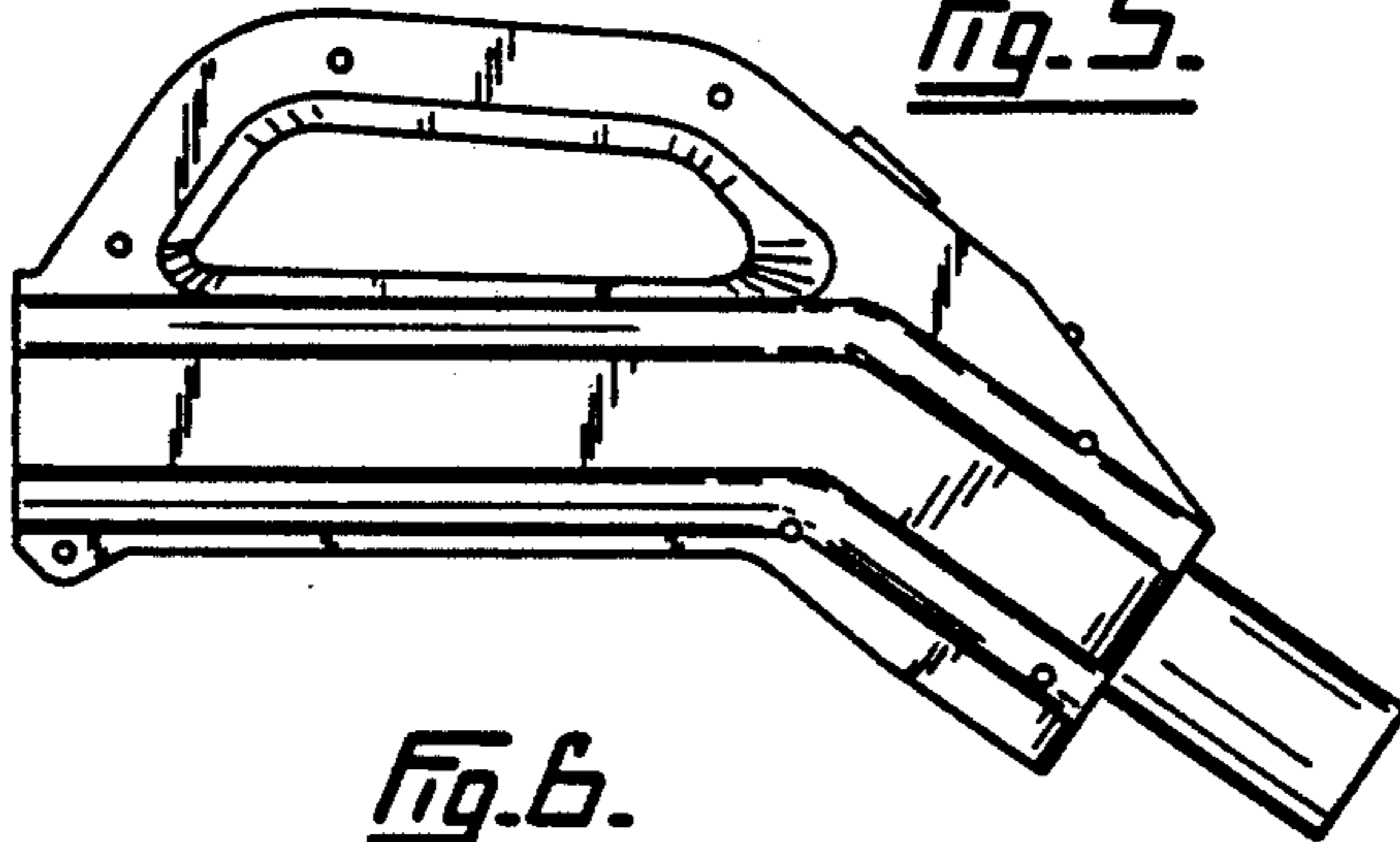


Fig. 6.

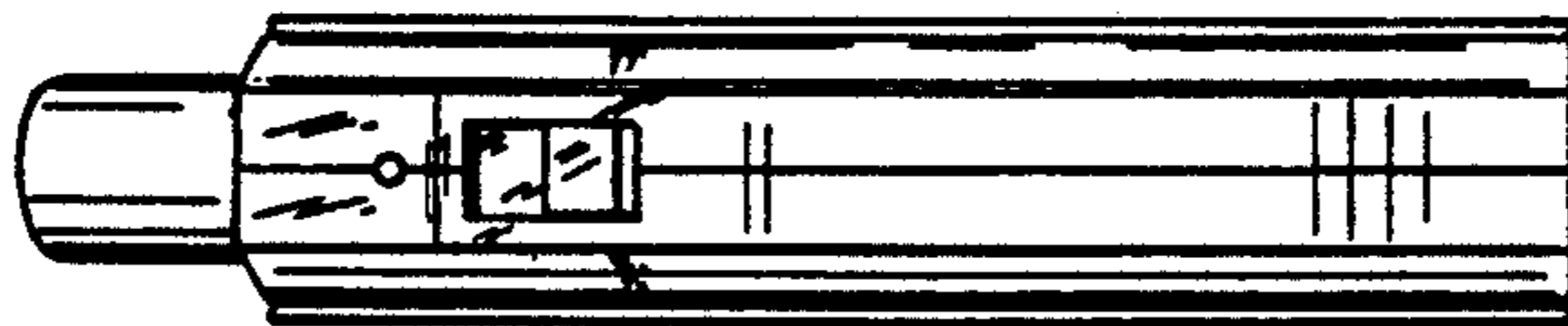


Fig. 7.

