

[54] **MINI-SPOTLIGHT**

[75] **Inventors: Richard H. Jacobs, Roseville; Ronald T. Keagle, Spring Park, both of Minn.; Gerald E. Peterson, Riverside, Calif.; Robert W. Beachy, St. Paul, Minn.**

[73] **Assignee: The Toro Company, Minneapolis, Minn.**

[**] **Term: 14 Years**

[21] **Appl. No.: 271,147**

[22] **Filed: Nov. 14, 1988**

[52] **U.S. Cl. D26/63**

[58] **Field of Search D26/60-65; 362/147, 269, 275, 287, 418, 419, 427, 404-414, 432**

[56] **References Cited**

U.S. PATENT DOCUMENTS

D. 254,694 4/1980 Drost et al. D26/63
D. 258,010 1/1981 Bows et al. D26/63
4,281,370 7/1981 Masenhemer et al. 362/147 X

OTHER PUBLICATIONS

Home Lighting & Accessories, 4-1983, p. 56, Spotlight.

Primary Examiner—Susan J. Lucas

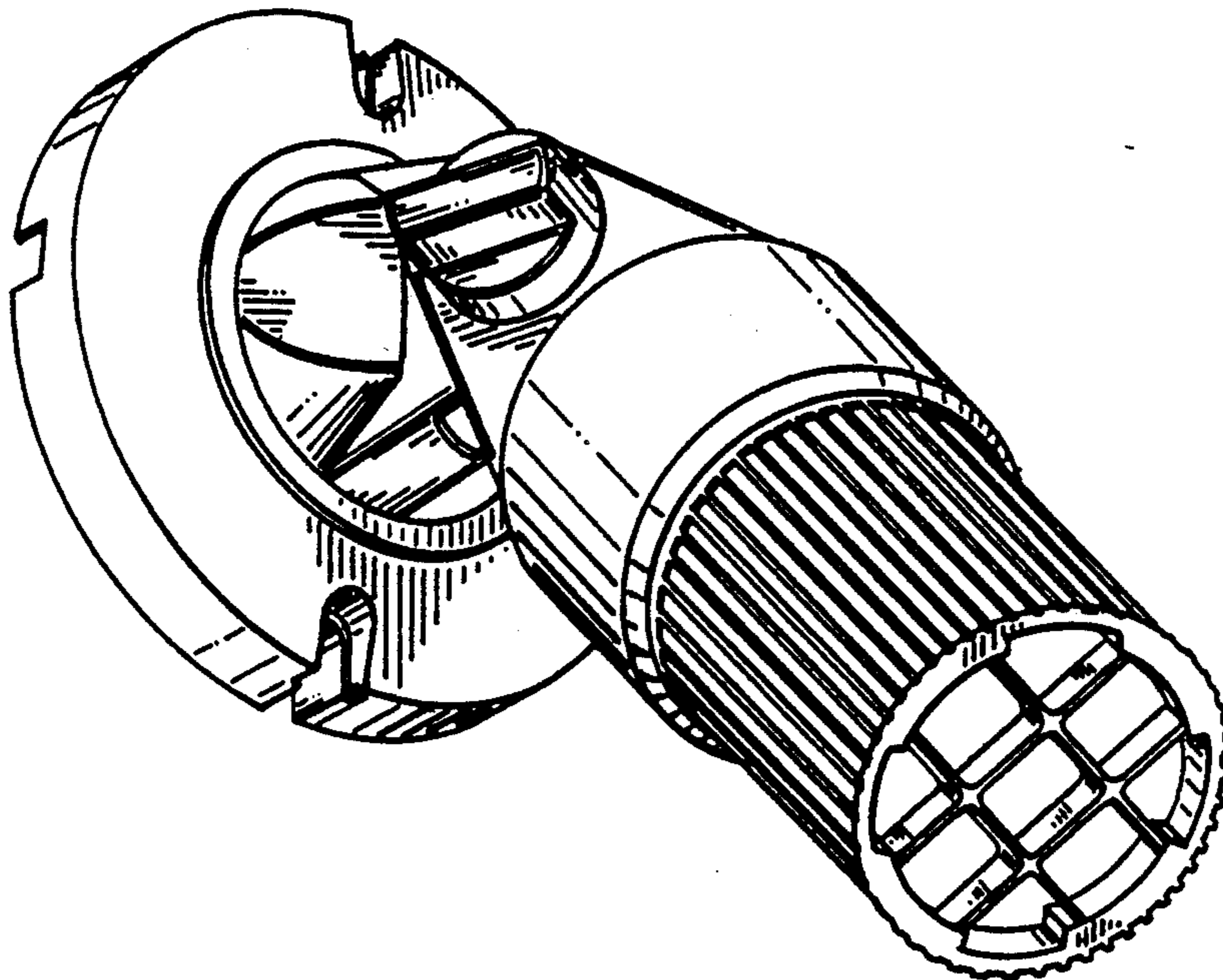
Attorney, Agent, or Firm—R. Lawrence Buckley

[57] **CLAIM**

The ornamental design for a mini-spotlight, as shown.

DESCRIPTION

FIG. 1 is a front, right side perspective view of a mini-spotlight showing our new design;
FIG. 2 is a right side elevational view thereof;
FIG. 3 is a left side elevational view thereof;
FIG. 4 is a top plan view thereof;
FIG. 5 is a front elevational view thereof;
FIG. 6 is a bottom plan view thereof.



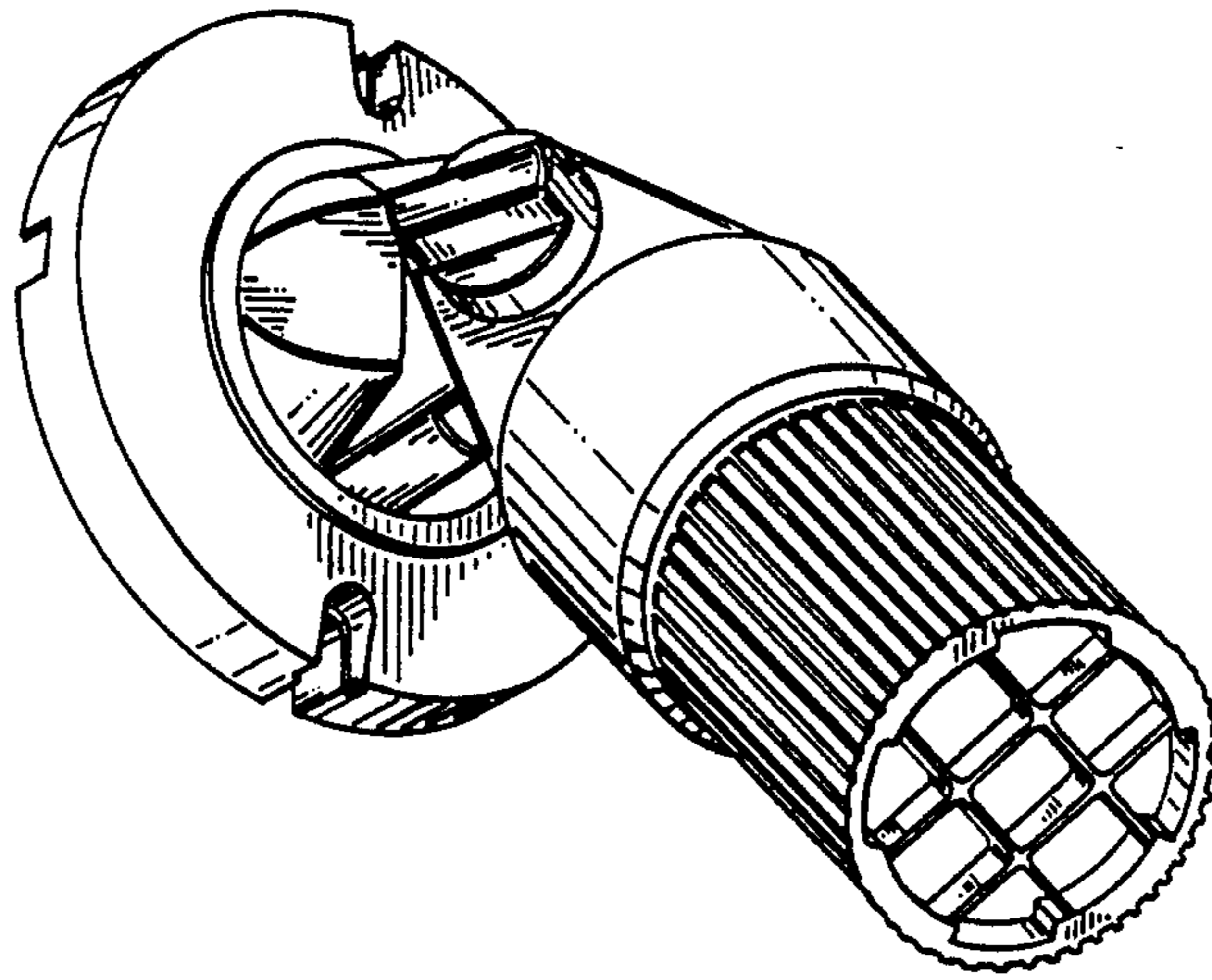


Fig. 1

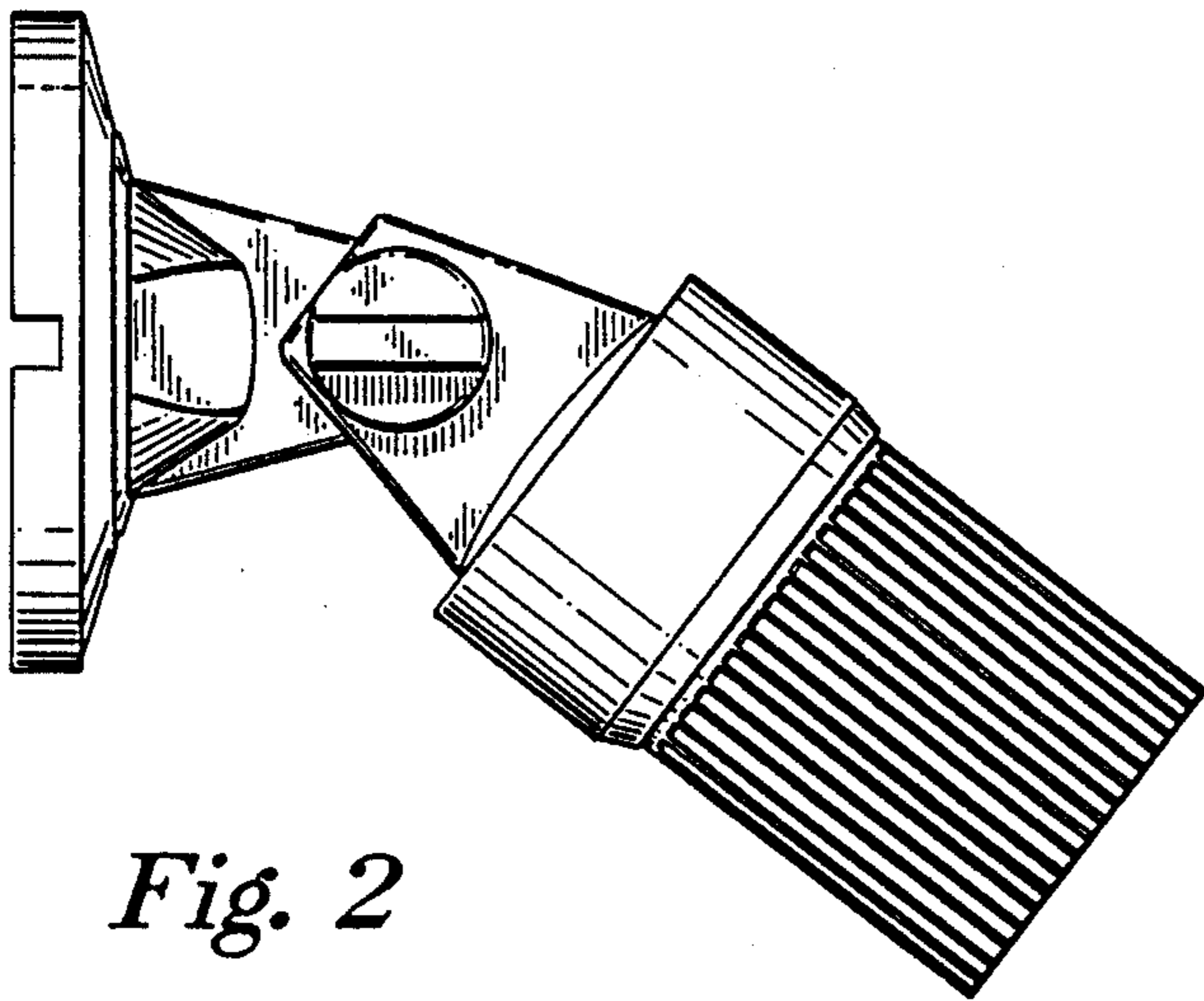


Fig. 2

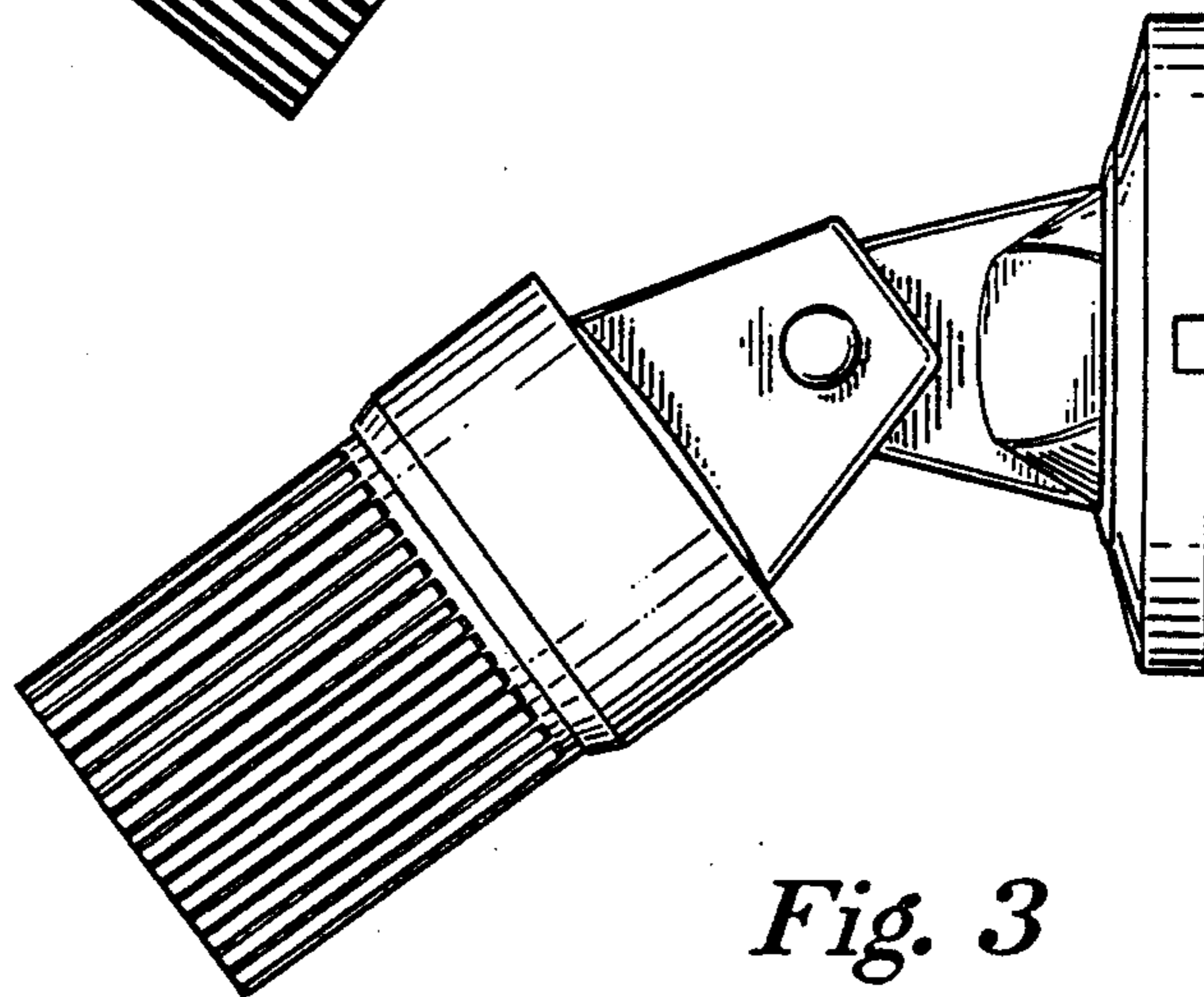


Fig. 3

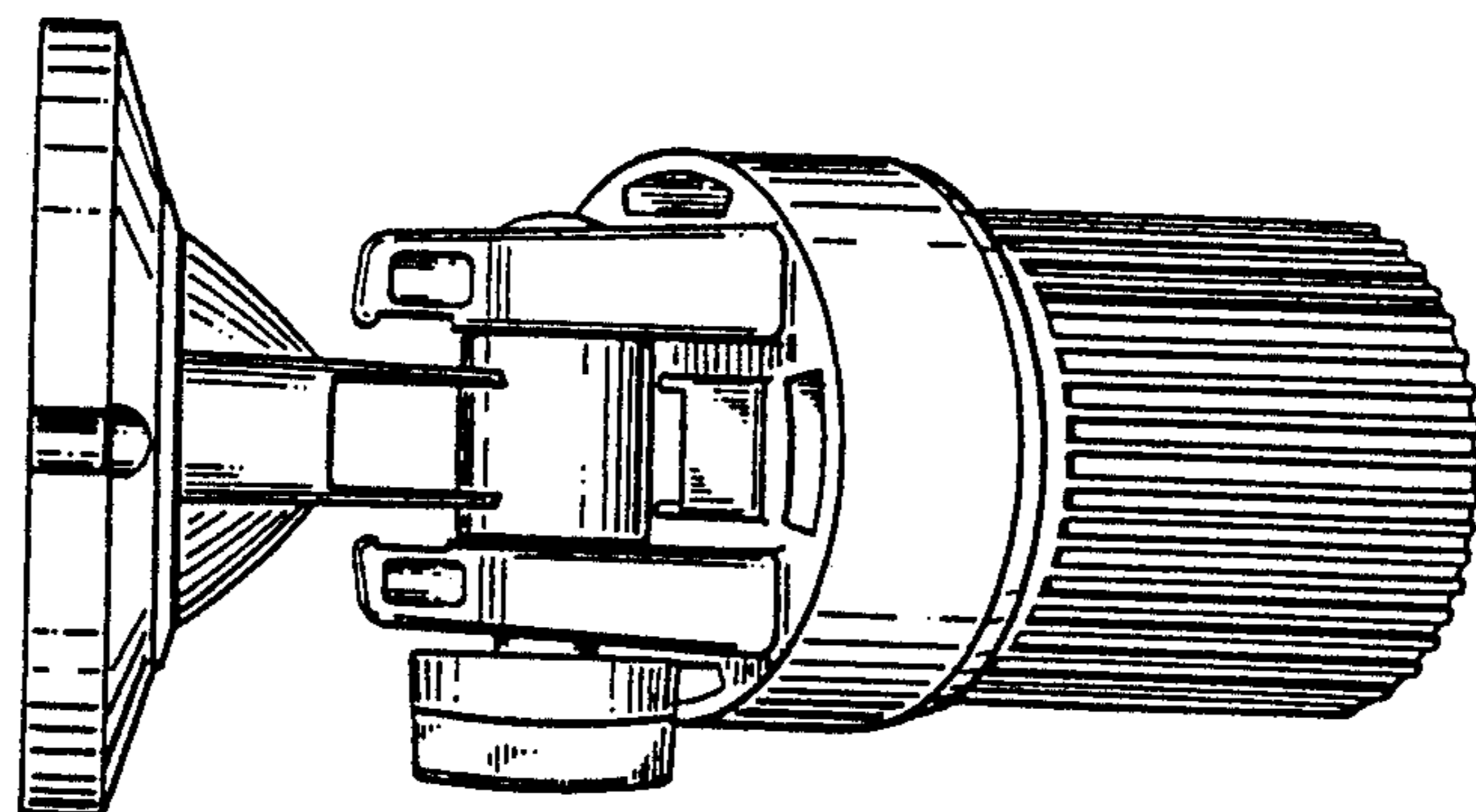


Fig. 4

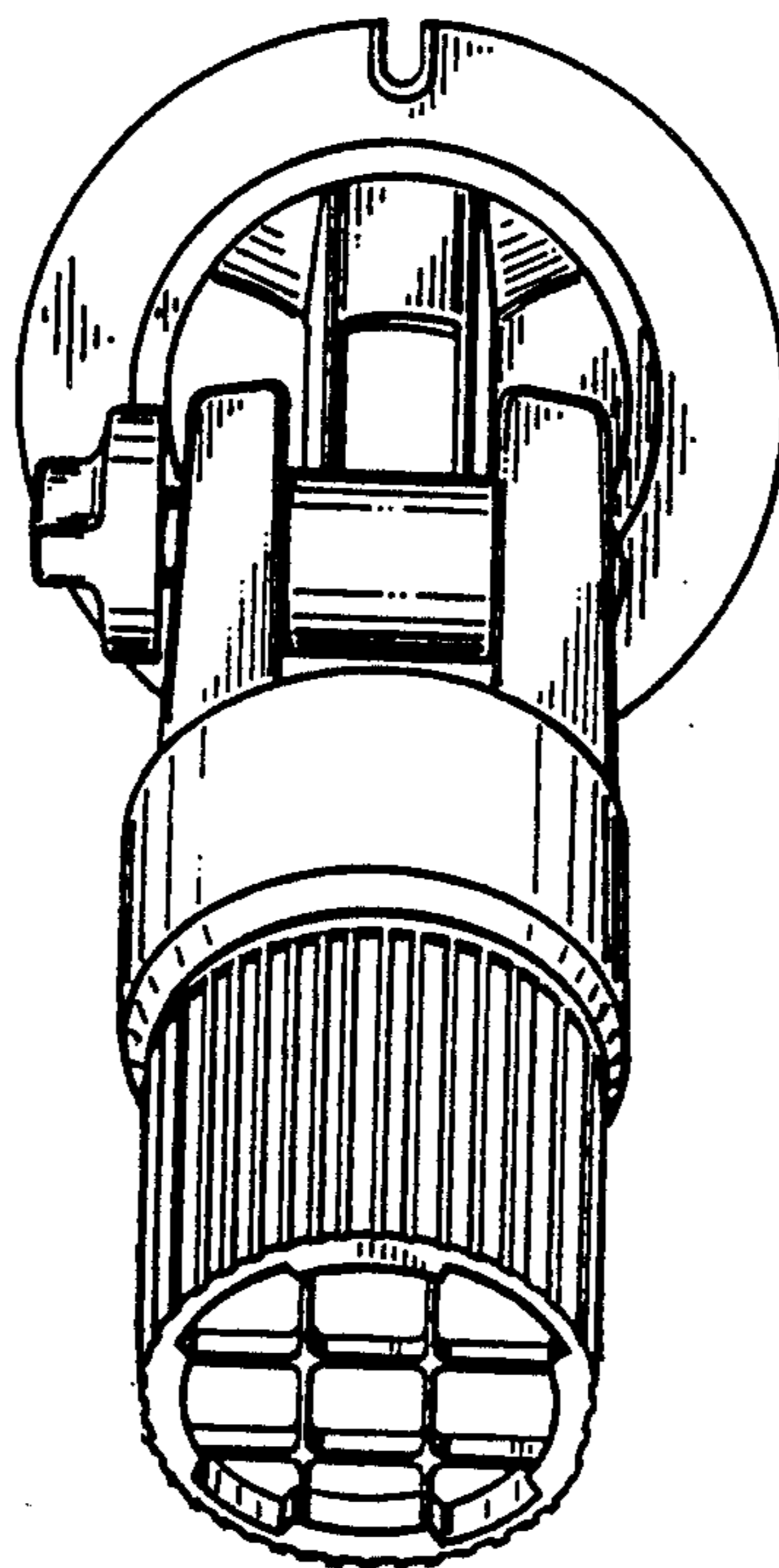


Fig. 5

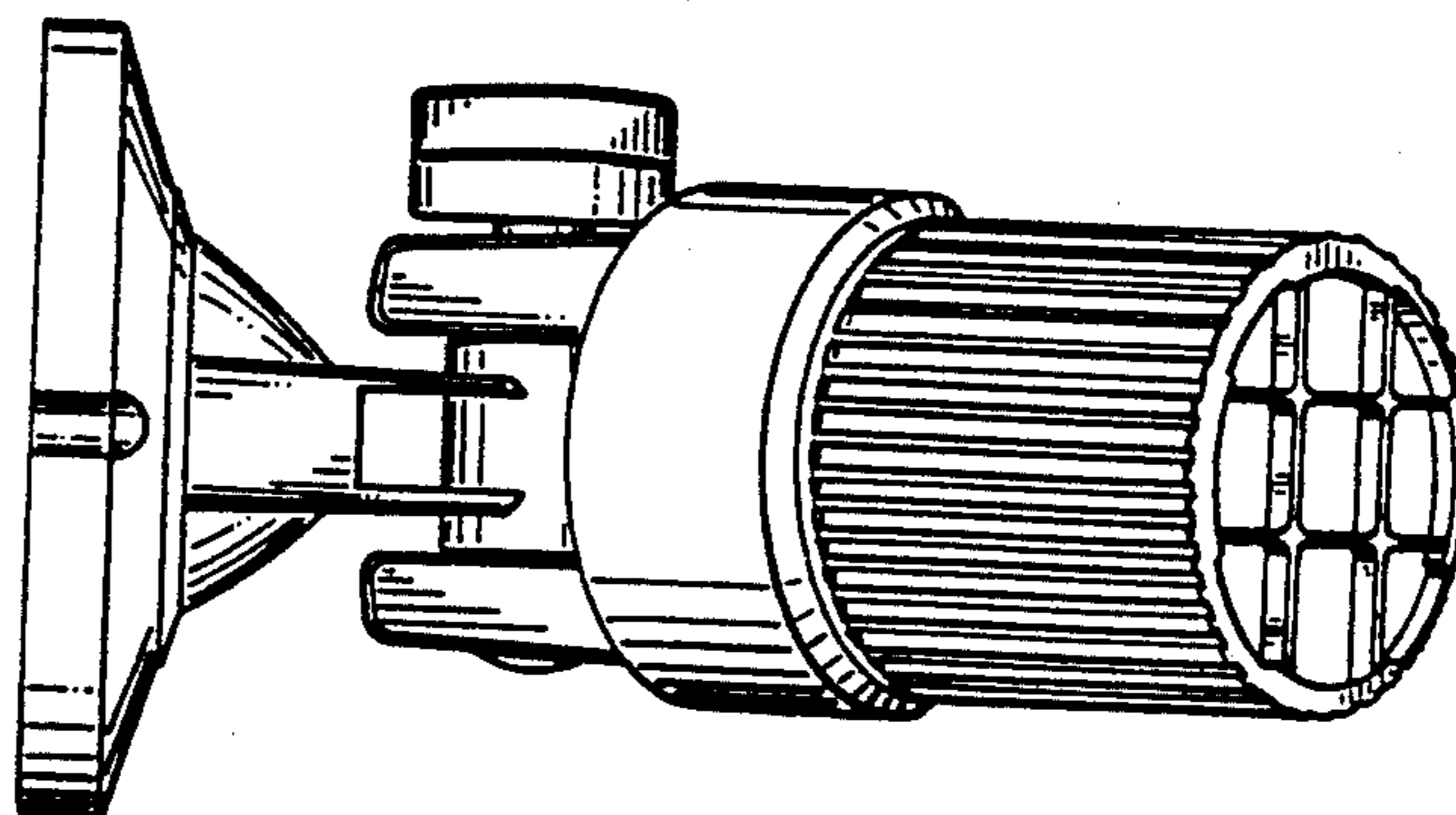


Fig. 6