

United States Patent [19]

Abbestam et al.

[11] Patent Number: **Des. 315,027**

[45] Date of Patent: **** Feb. 26, 1991**

[54] **BEAM**

[75] Inventors: **Goran Abbestam, Gothenburg; Leif Lachonius, Surte, both of Sweden**

[73] Assignee: **SKF Specialty Products AB, Gothenburg, Fed. Rep. of Germany**

[**] Term: **14 Years**

[21] Appl. No.: **368,527**

[22] Filed: **Jun. 20, 1989**

[30] **Foreign Application Priority Data**

Dec. 21, 1988 [SE] Sweden 882944
[52] U.S. Cl. **D25/124**
[58] Field of Search D25/119, 121, 122, 124;
52/730, 732, 738, 731

[56] **References Cited**

U.S. PATENT DOCUMENTS

3,566,561 3/1971 Tozer D25/123
3,592,493 7/1971 Goose D25/122

FOREIGN PATENT DOCUMENTS

1123337 11/1965 Fed. Rep. of Germany D25/122

Primary Examiner—A. Hugo Word
Assistant Examiner—Doris Clark
Attorney, Agent, or Firm—Eugene E. Renz, Jr.

[57] **CLAIM**

The ornamental design for a beam, as shown.

DESCRIPTION

FIG. 1 is a perspective view of a beam showing our new design;
FIG. 2 is a perspective view of a beam showing second embodiment of our new design; and
FIG. 3 is a perspective view of a beam showing a third embodiment of our new design.

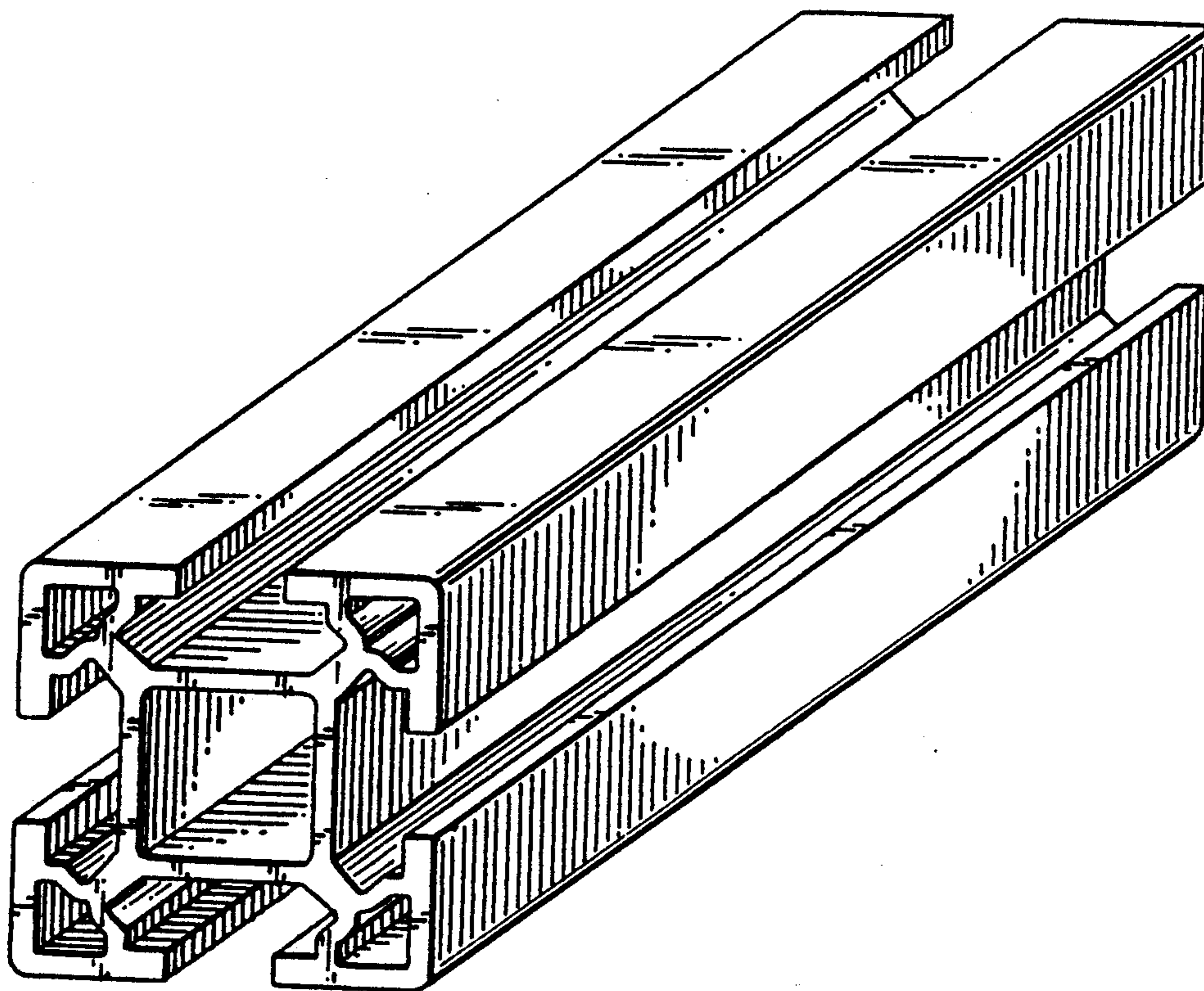


Fig. 1.

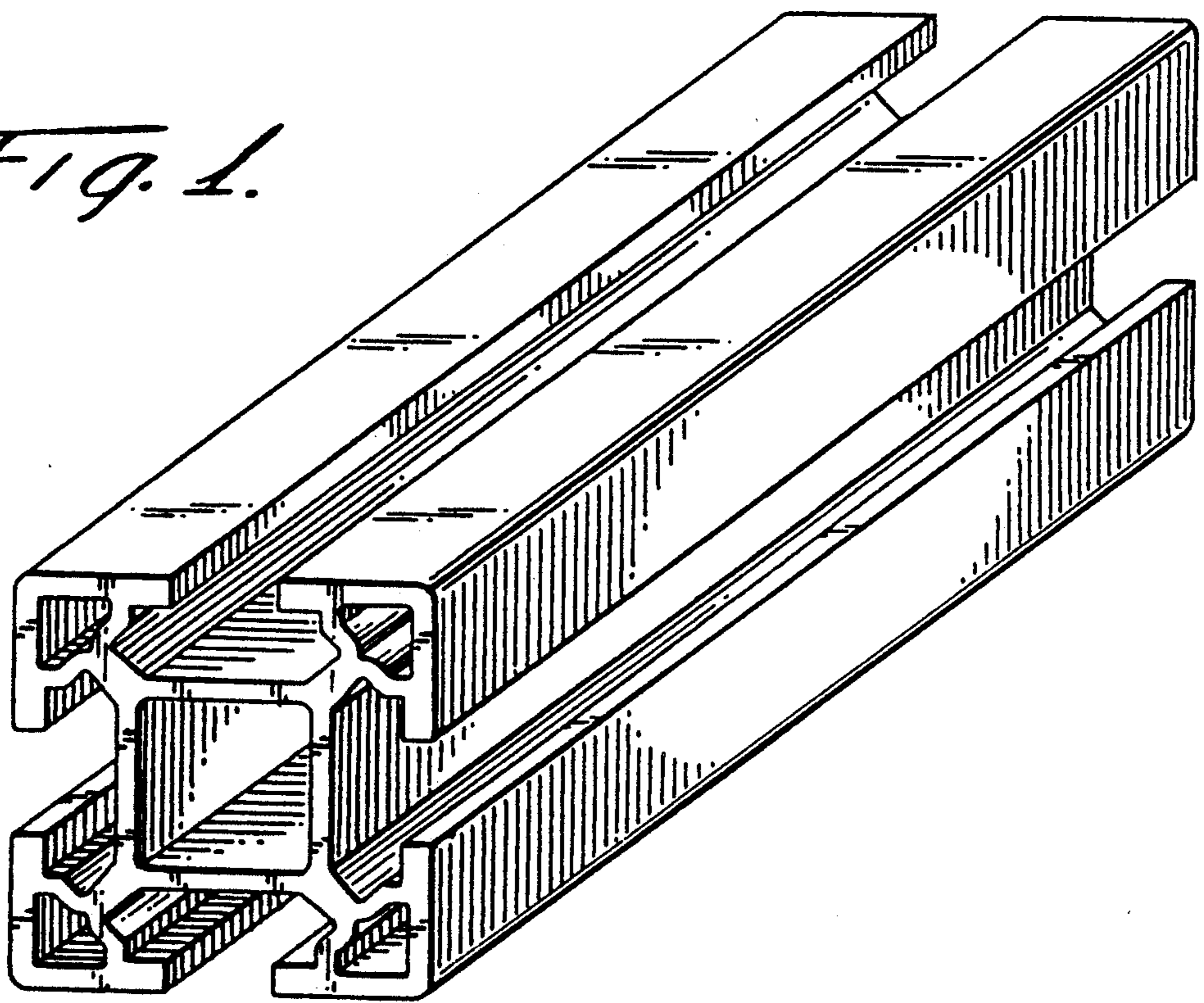


Fig. 2.

